

Introduction

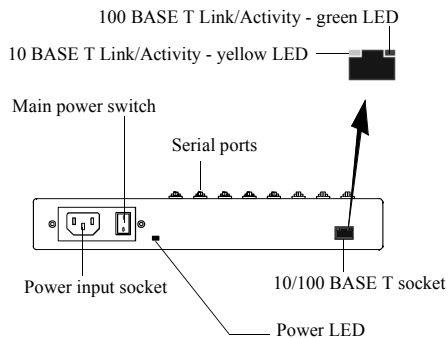
This Quick Start Guide covers the key points of the installation for your IOLAN+ product. It is intended for systems administrators familiar with operating systems covered. To obtain the latest driver software please refer to the driver matrix page under technical support in Perle web site.

Note

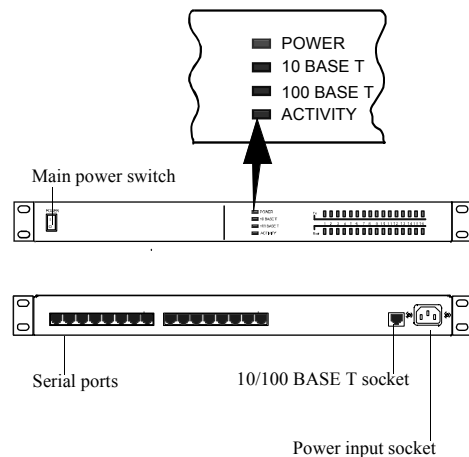
See IOLAN+ documentation on the Serial/Console Servers CD supplied with this product for more detailed information.

The IOLAN+ is a TCP/IP communications server available in both table top and rack mounted form. The table top unit has 8 or 16 RS-232 ports and the rack unit has 4, 8 or 16 RS-232 ports that can be used for terminals, modems, printers or other serial devices. The serial ports are individually numbered.

Table mounted



Rack mounted



Connectors and indicators

The functions of these are described in the IOLAN+ User and Administration Guide.

Note

These instructions assume the IOLAN+ is attached to the same LAN as other host machines. Refer to the User and Administration Guide for other situations. To perform the basic IOLAN+ configuration you will need to know:

- The IP address of the IOLAN+
 - The ethernet address of the IOLAN+ (displayed on the unit)
 - The host name of the IOLAN++
- If in doubt please refer to your system administrator.

Connecting up the IOLAN+ and logging in from a remote host

1. Read the safety manual supplied with this product.
 2. Connect the IOLAN+ to the ethernet.
 3. Connect the power cable to the IOLAN+.
 4. Power up the IOLAN+.
 5. On a local host, for UNIX type:
arp -s a.b.c.d aa:bb:cc:dd:ee:ff
or for Windows NT type:
arp -s a.b.c.d aa-bb-cc-dd-ee-ff
replacing **a.b.c.d** with the IOLAN+ IP address and **aa:bb:cc:dd:ee:ff** with the ethernet address.
 6. From the command prompt, run: **telnet a.b.c.d** (This may take a few seconds to complete).
 7. At the password prompt press **Enter**.
 8. At the **Local >** prompt now displayed, type: **set term** for supported terminals and press **Enter**.
 9. Type **set term <terminal>** and then press **Enter** for the appropriate terminal type.
- You have now connected up and logged into the IOLAN+.

Setting the network parameters

1. Press **CTRL A** for the **ADMINISTRATION MENU** then press **CTRL P**.
 2. At the password prompt now displayed, type **iolan** as the default password and press **Enter**.
 3. In the administrator password window is now displayed, use the cursor keys to select **Server** then press **Enter**. The server menu is now displayed.
 4. Enter the IP address and host name for the IOLAN+. Press **Enter** twice to save the changes.
 5. Select **Reboot** from the menu and press **Enter**.
 6. Confirm Reboot and wait for the unit to restart.
- Your IOLAN+ is now set up for operation.

Notes

For setting up an IOLAN+ via a serially attached terminal, refer to the appropriate section in the User and Administration Guide.

For setting up an IOLAN+ via BOOTP, refer to the appropriate section in the User and Administration Guide.

Setting up a printer

This section assumes your printer client is set up for LPD printing.

1. Power down the IOLAN+ and attach the serial printer using a cable specified in the IOLAN+ User and Administration Guide.
2. Power up the IOLAN+.
3. Log in and select the Administration Mode (using **CTRL A** and then **CTRL P**).
4. Using the cursor keys select the **Port** option then enter the number of the serial port you attached the printer to.
5. On the Port Setup Menu, set the parameters in the **Hardware** and **Flow ctrl** to match those of your printer.
6. Enter the print queue filename in the User Name field. Press.
7. Set Access to Remote using the spacebar to select the appropriate action.
8. Set the Local Port field. This is a TCP Port number and for LPD this should be set to 515.
9. Press **Enter** twice to save the changes.
10. From the ADMINISTRATION MENU select the Kill option and enter the serial port number for the printer, then press **Enter**.

The port is now setup, you can now send a print job to the IOLAN+ to test printing.

Remote access dial in modem setup

1. Power down the IOLAN+ and attach the modem using a cable specified in the IOLAN+ User and Administration Guide.
2. Power up the IOLAN+.
3. Go to the Port Setup Menu as described earlier in **Setting up a printer on page 2**.
4. Setup Hardware with Monitor DCD to yes and Flow Ctrl to match the modem. In the IP address fields, set Src (local end of PPP connection) and Dst (remote end) addresses.

Note: If the src is left blank it defaults to the IP address of the IOLAN+.

5. Set Access to Local and Authentication to Host if user has to be validated. Press **Enter** twice to save and exit.
6. On the ADMINISTRATION MENU select **Access** and press **Enter**. Now select **Remote Site Devices** and press **Enter**.
7. Select the entry from the Device type window where the listed items represent the ports (i.e. first item = port1, second item = port2, etc.), select the port you are attaching the modem to and press **Enter**.
8. In the REMOTE SITE DEVICES MENU now displayed. set the **Inactivity timer** to an appropriate value in minutes.
9. Set the **Config** field to the modem's initialisation command string. Press **Enter** twice.
10. From the ADMINISTRATION MENU select **Access**.
11. In the Access pop-up window now displayed, select **Authentication/Logging** and press **Enter**.
12. In the host AUTHENTICATION AND LOGGING menu now displayed, go to the **Auth Host** field enter the IP address of the authentication host.
13. Change the **Success Indication String** field and **Failure Indication String** field to suit your login sequence of your authentication hosts. Press **Enter** twice to save and exit.
14. In the ADMINISTRATION MENU select **kill** and press **Enter**.
15. Enter the modem port number and press **Enter**.

Setup is now complete. A remote user should now attempt to log in.



Contacting Perle Technical Support

Perle offers free technical support to Perle Authorised Distributors and Registered Perle Resellers.

To access technical support please visit the Perle website at www.perle.com/support. Here you will find:

- latest drivers and firmware updates for download
- technical tips
- frequently asked questions
- documentation
- configuration support
- cabling information
- maintenance contract information
- and much more...

If you are unable to find the information you require, please feel free to contact our technical support teams by email at:

USA

Email: ptac@perle.com

Europe

Email: ptacemea@perle.com

Asia

Email: ptacasia@perle.com

Internet

www.perle.com/support

IOLAN+

Communications server

Quick start guide



- 8 or 16 surge protected serial ports
- Supports printers, modems, terminals
- Desktop or rack mountable.

IOLAN+ Quick Start Guide

Part No: 5500046-13

Copyright © Perle Systems Limited, 2002