



**MAA3182 SERIES
MAB3091, MAB3045 SERIES
MAC3091, MAC3045 SERIES**

DISK DRIVES

PRODUCT MANUAL

REVISION RECORD		
Edition	Date published	Revised contents
01	Mar., 1997	
02	Nov., 1997	Pages 1-2, 1-5 to 1-11, 2-2 to 2-5, 2-7, 3-2 to 3-4, 3-7 to 3-10, Chapter 4, 5-2, 5-3, 5-5 to 5-10, 5-12 to 5-24, Chapter 6, Appendix A, C-1, C-2, D-2, Appendix E revised.
03	Jan., 1998	Pages 1-3, 1-4, 1-7 to 1-9, Chapter 2, 3-2 to 3-4, 3-6, 3-10, 4-4, 4-5, 4-7, 4-8, 4-10, 4-11, 4-14, 4-22, 4-23, 4-27, 6-2, 6-3, D-2 revised.
Specification No.: C141-E035-**EN		

The contents of this manual is subject to change without prior notice.

All Rights Reserved.
Copyright © 1998 FUJITSU LIMITED

FOR SAFE OPERATION

Handling of This manual

This manual contains important information for using this product. Read thoroughly before using the product. Use this product only after thoroughly reading and understanding especially the section “Important Alert Items” in this manual. Keep this manual handy, and keep it carefully.

FUJITSU makes every effort to prevent users and bystanders from being injured or from suffering damage to their property. Use the product according to this manual.

Functional Limitations

There may be certain functional limitations concerning the specifications and functions of the products covered by this manual depending on the equipment version, especially concerning the following functions.

Versions in which these functions can be used will be communicated through “ENGINEERING CHANGE REQUEST/NOTICE”, issued by Fujitsu.

Function	Equipment Version Which Supports These Functions		
	Equipment Version No.	EPROM Version No.	Standard INQUIRY Data Product Revision (ASCII)
READ RAM Command WRITE RAM Command]— These commands cannot be used in the current version.		

(Proceed to the Copyright Page)

Related Standards

Specifications and functions of products covered by this manual comply with the following standards.

Standard (Text) No.	Name	Enacting Organization
ANSI X3.131-1986	American National Standard for Information Systems—Small Computer System Interface (SCSI)	American National Standards Institute (ANSI)
ANSI X3.131-1994	American National Standard for Information Systems—Small Computer System Interface - 2(SCSI-2)	American National Standards Institute (ANSI)
X3T9.2/85-52 Rev 4.B	COMMON COMMAND SET (CCS) of the Small Computer System Interface (SCSI)	American National Standards Institute (ANSI)
X3T9.2 855D Rev 12	WORKING DRAFT Information Technology SCSI-3 Parallel Interface	American National Standards Institute (ANSI)
X3T10/10T1D Rev 6	Draft proposed American National Standard for Information Systems—SCSI-3 Fast-20 Parallel Interface (Fast 20-SCSI)	American National Standards Institute (ANSI)

All Right Reserved, Copyright © 1997, 1998 Fujitsu Limited

PREFACE

This manual describes the MAA3182xx (hereafter, MAA31xxxx), MAB3091xx, MAB3045xx (hereafter, MAB30xxxx), MAC3091xx, MAC3045xx (hereafter, MAC30xxxx) series 3.5-inch fixed disk drives with an embedded SCSI controller.

This manual details the specifications and functions of the above disk drive, and gives the requirements and procedures for installing it into a host computer system.

This manual is written for users who have a basic understanding of fixed disk drives and their use in computer systems. The MANUAL ORGANIZATION section describes organization and scope of this manual. The need arises, use the other manuals.

Chapter 1 GENERAL DESCRIPTION

This chapter introduces the MAA31xxxx, MAB30xxxx and MAC30xxxx series disk drives and discusses their standard features, hardware, and system configuration.

Chapter 2 SPECIFICATIONS

This chapter gives detailed specifications of the MAA31xxxx, MAB30xxxx and MAC30xxxx series disk drives and their installation environment.

Chapter 3 DATA FORMAT

This chapter describes the data structure of the disk, the address method, and what to do about media defects.

Chapter 4 INSTALLATION REQUIREMENTS

This chapter describes the basic physical and electrical requirements for installing MAA31xxxx, MAB30xxxx and MAC30xxxx series disk drives.

Chapter 5 INSTALLATION

This chapter explains how to install MAA31xxxx, MAB30xxxx and MAC30xxxx series disk drives. It includes the notice and procedures for setting device number and operation modes, mounting the disk drive, connecting the cables, and confirming drive operation.

Chapter 6 DIAGNOSIS and MAINTENANCE

This chapter describes the automatic diagnosis, and maintenance of the MAA31xxxx, MAB30xxxx and MAC30xxxx series disk drive.

APPENDIX A to E


The appendixes give supplementary information, including the locations of mounting setting terminals and connectors, a list of setting items, the signal assignments of interface connectors, lists of model names and product numbers, and SCSI interface functions.

The model numbers have a suffix that describes the electrical requirements of the SCSI interface between host system and disk drive, the data formatted at the factory and device type.


CONVENTIONS

This manual uses the following conventions for alerts to prevent physical or property damages to users or by standards.


DANGER

 DANGER indicates that personal injury *will* occur if the user does not perform the procedure correctly.

WARNING

 WARNING indicates that personal injury *could* occur if the user does not perform the procedure correctly.

CAUTION

 CAUTION indicates that either minor or moderate personal injury *may* occur if the user does not perform the procedure correctly.

NOTICE

NOTICE indicates that inconvenience to the user such as damages to the product, equipment, data, and/or other property may occur if the user does not pay attention or perform the procedure correctly.

IMPORTANT

IMPORTANT indicates information that helps the user use the product more effectively.

Indicates

This manual indicates;

Decimal number: Indicates as it is.

Hexadecimal number: Indicates as X'17B9', 17B9h, or 17B9H

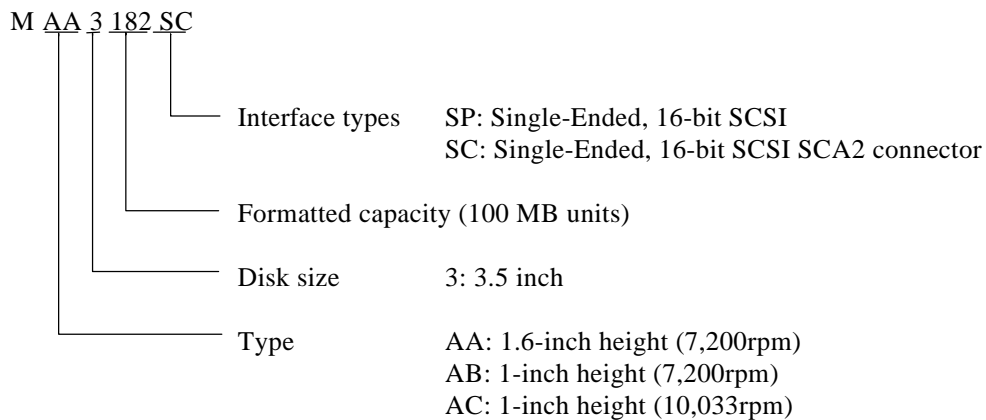
Binary number: Indicates as "010"

DISCLAIMER

Failure of the MAA31xxxx, MAB30xxxx and MAC30xxxx series intelligent disk drive is defined as a failure requiring adjustments, repairs, or replacement. Fujitsu is not responsible for drive failures caused by misuse by the user, poor environmental conditions, power trouble, host problems, cable failures, or any failure not caused by the drive itself.

The suffix of the model name of the disk drive varies depending on the electrical requirements, capacity, and data format at factory shipment of the SCSI, i.e., the interface for connecting the three device types or host system and the disk drives (Note 1). However, in this manual, the typical model names (Note 2) are used unless otherwise noted. These disk drives may be called intelligent disk drives (IDD), drives, or devices in this manual.

Note 1: Model names



Note 2: Type model name

Type model name	Model name
MAA3182	MAA3182SP, MAA3182SC
MAB3091	MAB3091SP, MAB3091SC
MAB3045	MAB3045SP, MAB3045SC
MAC3091	MAC3091SP, MAC3091SC
MAC3045	MAC3045SP, MAC3045SC

MANUAL ORGANIZATION

<p>PRODUCT MANUAL</p> <p>(This manual)</p>	<ol style="list-style-type: none">1. General Description2. Specifications3. Data Format4. Installation Requirements5. Installation6. Diagnostics and Maintenance
<p>SCSI Physical Interface Specifications</p>	<ol style="list-style-type: none">1. SCSI Bus2. SCSI Message3. SCSI Bus Error Recovery Processing
<p>SCSI Logical Interface Specifications</p>	<ol style="list-style-type: none">1. Command Processing2. Data Buffer Management3. Command Specification4. Sense Data and error Recovery Procedure5. Disk Medium Management
<p>Maintenance Manual</p>	<ol style="list-style-type: none">1. Specifications and Equipment Configuration2. Maintenance and Diagnostic3. Error Analysis4. Removal and Replacement Procedures5. Principle of Operation

CONTENTS

	page
CHAPTER 1 GENERAL DESCRIPTION	1-1
1.1 Standard Features	1-2
1.2 Hardware Structure	1-5
1.3 System Configuration	1-10
CHAPTER 2 SPECIFICATIONS.....	2-1
2.1 Hardware Specifications	2-1
2.1.1 Model name and part number	2-1
2.1.2 Function specifications	2-2
2.1.3 Environmental specifications.....	2-4
2.1.4 Error rate.....	2-5
2.1.5 Reliability	2-5
2.2 SCSI Function Specifications	2-7
CHAPTER 3 DATA FORMAT	3-1
3.1 Data Space	3-1
3.1.1 Cylinder configuration.....	3-1
3.1.2 Alternate spare area	3-5
3.1.3 Track format	3-6
3.1.4 Sector format	3-8
3.1.5 Format capacity	3-10
3.2 Logical Data Block Addressing	3-11
3.3 Defect Management.....	3-12
3.3.1 Defect list	3-12
3.3.2 Alternate block allocation.....	3-12
CHAPTER 4 INSTALLATION REQUIREMENTS	4-1
4.1 Mounting Requirements	4-1
4.1.1 External dimensions	4-1
4.1.2 Mounting	4-6
4.1.3 Notes on mounting	4-6
4.2 Power Supply Requirements	4-11

4.3	Connection Requirements	4-14
4.3.1	Single-ended 16-bit SCSI model (MAA31xxSP, MAB30xxSP, MAC30xxSP)	4-14
4.3.2	SCA2 type SCSI model (MAA31xxSC, MAB30xxSC, MAC30xxSC).....	4-22
4.3.3	Cable connector requirements	4-24
4.3.4	External operator panel.....	4-28
 CHAPTER 5 INSTALLATION.....		5-1
5.1	Notes on Handling Drives	5-1
5.2	Connections.....	5-3
5.3	Setting Terminals.....	5-5
5.3.1	SCSI ID setting.....	5-7
5.3.2	Each mode setting	5-8
5.3.3	Write protect, terminating resistor setting.....	5-9
5.3.4	Mode settings	5-10
5.4	Mounting Drives	5-11
5.4.1	Check before mounting	5-11
5.4.2	Mounting procedures.....	5-11
5.5	Connecting Cables.....	5-12
5.6	Confirming Operations after Installation and Preparation for use	5-13
5.6.1	Confirming initial operations.....	5-13
5.6.2	Checking SCSI connection.....	5-15
5.6.3	Formatting	5-18
5.6.4	Setting parameters	5-20
5.7	Dismounting Drives	5-24
 CHAPTER 6 DIAGNOSTICS AND MAINTENANCE.....		6-1
6.1	Diagnostics	6-1
6.1.1	Self-diagnostics	6-1
6.1.2	Test programs.....	6-4
6.2	Maintenance Information	6-5
6.2.1	Maintenance requirements.....	6-5
6.2.2	Revision numbers.....	6-7
 APPENDIX A LOCATIONS OF CONNECTORS, SETTING TERMINALS, AND TERMINATING RESISTORS.....		A-1

A.1	Locations of Connectors and Setting Terminals (MAx3xxxSC: SCA2 type 16-bit SCSI).....	A-2
A.2	Locations of Connectors and Setting Terminals (MAx3xxxSP: single-ended type 16-bit SCSI).....	A-3
APPENDIX B SETTING TERMINALS.....		B-1
B.1	Setting Terminals (MAx3xxxSP: Single-ended 16-bit SCSI).....	B-2
APPENDIX C CONNECTOR SIGNAL ALLOCATION		C-1
C.1	SCSI Connector Signal Allocation: SCA2 type 16-bit SCSI.....	C-2
C.2	SCSI Connector Signal Allocation: Single-ended type 16-bit SCSI.....	C-3
APPENDIX D MODEL NAMES AND PRODUCT NUMBERS		D-1
D.1	Model Names and Product Numbers	D-2
APPENDIX E SCSI INTERFACE FUNCTIONS		E-1
E.1	SCSI interface function specifications	E-2
Index.....		IN-1

FIGURES

	page
1.1 MAA31xxSC outer view	1-5
1.2 MAA31xxSP outer view	1-6
1.3 MAB30xxSC outer view	1-6
1.4 MAB30xxSP outer view.....	1-7
1.5 MAC30xxSC outer view	1-7
1.6 MAC30xxSP outer view.....	1-7
1.7 Disk/head configuration	1-8
1.8 System configuration.....	1-10
3.1 Cylinder configuration.....	3-2
3.2 Spare area in cylinders.....	3-5
3.3 Alternate cylinder	3-5
3.4 Track format	3-6
3.5 Track skew/cylinder skew	3-7
3.6 Sector format	3-8
3.7 Alternate block allocation by FORMAT UNIT command	3-14
3.8 Alternate block allocation by REASSIGN BLOCKS command.....	3-15
4.1 External dimensions (MAA31xxSC).....	4-2
4.2 External dimensions (MAA31xxSP)	4-3
4.3 External dimensions (MAB30xxSC, MAC30xxSC)	4-4
4.4 External dimensions (MAB30xxSP, MAC30xxSP)	4-5
4.5 IDD orientation.....	4-6
4.6 Mounting frame structure	4-7
4.7 Limitation of side-mounting	4-7
4.8 Surface temperature measurement points (MAA31xxxx/MAB30xxxx/MAC30xxxx) ..	4-8
4.9 Service clearance area.....	4-9
4.10 Air pressure adjustment hole	4-10
4.11 Current waveform (+12 VDC).....	4-11
4.12 Power on/off sequence (1)	4-11
4.13 Power on/off sequence (2)	4-12
4.14 Power on/off sequence (3)	4-12
4.15 AC noise filter (recommended)	4-13
4.16 Connectors and terminals location (single-ended 16-bit SCSI)	4-14

4.17	16-bit SCSI interface connector.....	4-15
4.18	Power supply connector (16-bit SCSI model)	4-15
4.19	External operator panel connector (CN1)	4-16
4.20	External operator panel connector (CN7)	4-17
4.21	16-bit SCSI ID external input	4-18
4.22	Output signal for external LED	4-19
4.23	Cables connection (16-bit SCSI model)	4-21
4.24	Connectors and terminals location of SCA2 type SCSI model.....	4-22
4.25	SCA2 type SCSI connector	4-23
4.26	SCSI cable connector.....	4-25
4.27	SCSI cable termination	4-27
4.28	External operator panel circuit example (MAx3xxxSP)	4-28
5.1	SCSI bus connections	5-3
5.2	MAx3xxxSP setting terminals position	5-5
5.3	Setting terminals (MAx3xxxSP).....	5-6
5.4	Checking the SCSI connection (A).....	5-16
5.5	Checking the SCSI connection (B).....	5-17
6.1	Revision label.....	6-7
6.2	Indicating revision numbers	6-8
A.1	Locations of connectors and setting terminals (MAx3xxxSC, SCA2 type 16-bit SCSI).....	A-2
A.2	Locations of connectors and setting terminals (MAx3xxxSP, single-ended type 16-bit SCSI)	A-3

TABLES

		page
2.1	Function specifications	2-2
2.2	Environmental/power requirements.....	2-4
2.3	SCSI function specifications.....	2-7
3.1	Zone layout and track capacity (MAA31xxxx)	3-3
3.2	Zone layout and track capacity (MAB30xxxx)	3-3
3.3	Zone layout and track capacity (MAC30xxxx)	3-3
3.4	Format capacity	3-10
4.1	Surface temperature check point.....	4-8
4.2	External inputs for operating terminating resistor (16-bit single-ended type)	4-20
4.3	Recommended components for connection.....	4-24
4.4	Total cable length of SCSI cable	4-26
4.5	SCSI cable requirements.....	4-26
5.1	SCSI ID setting (single-ended 16-bit SCSI model: MAx3xxxSP).....	5-7
5.2	Setting SCSI terminal power supply (single-ended 16-bit SCSI model: MAx3xxxSP) .	5-8
5.3	Motor start mode setting (single-ended 16-bit SCSI model: MAx3xxxSP)	5-8
5.4	Write protect setting (single-ended 16-bit SCSI model: MAx3xxxSP)	5-9
5.5	Setting of connection of terminating resistor on SCSI interface (single-ended 16-bit SCSI model: MAx3xxxSP)	5-9
5.6	Default mode settings (by CHANGE DEFINITION command).....	5-10
5.7	Setting check list (MAx3xxxSP)	5-11
6.1	Self-diagnostic functions	6-1
B.1	Setting terminal: CN6 (MAx3xxxSP).....	B-2
B.2	Setting terminal: CN7 (MAx3xxxSP).....	B-3
C.1	SCSI connector (SCA2 type, 16-bit SCSI): CN1.....	C-2
C.2	SCSI connector (single-ended type 16-bit SCSI): CN1	C-3
D.1	MAA, MAB and MAC series model names and product numbers	D-2
E.1	SCSI interface function specifications	E-2

CHAPTER 1 GENERAL DESCRIPTION

- | |
|--|
| <ul style="list-style-type: none">1.1 Standard Features1.2 Hardware Structure1.3 System Configuration |
|--|

This chapter describes the feature and configuration of the intelligent disk drives (IDD).

IDDs are high performance large capacity 3.5-inch fixed disk drives with an embedded SCSI controller.

The interface between the IDD and host system is based on SCSI (Small Computer System Interface) standard [ANSI X3.131 - 1986: Small Computer System Interface (SCSI), ANSI X3.131-1994: Small Computer System Interface - 2 (SCSI-2)].

The flexibility and expandability of the SCSI, as well as the powerful command set of the IDD, allow the user to construct a high-performance reliable disk subsystem with large storage capacity.

1.1 Standard Features

(1) Compactness

Since the SCSI controller circuit is embedded in the standard 3.5-inch fixed disk drive form factor, the IDD is extremely compact. The IDD can be connected directly to the SCSI bus of the host system .

(2) SCSI/CCS standard

The IDD provides not only SCSI basic functions but also the following features:

- Arbitration
- Disconnection/reselection
- Data bus parity
- Command set which meets the logical specification of the SCSI CCS (Common Command Set for Direct Access Device) requirements (Rev. 4.B)

The SCSI commands can manipulate data through logical block addressing regardless of the physical characteristics of the disk drive. This allows software to accommodate future expansion of system functions.

(3) 8-bit SCSI/16-bit SCSI

The IDD has 16-bit data width (16-bit SCSI), which have the wide transfer function suitable for SCSI-3.

- 8-bit SCSI: Up to eight SCSI devices can be connected on the same SCSI bus.
- 16-bit SCSI: Up to 16 SCSI devices can be connected on the same SCSI bus.

For the ultra SCSI model, number of connectable SCSI devices on the same SCSI bus is varied as follows.

- Up to 4 SCSI devices having capacitance of 25 pF: Cable length of up to 3.0 m.
- 5 to 8 SCSI devices having capacitance of 25 pF: Cable length of up to 1.5 m

(4) High speed data transfer

- 8-bit SCSI: The data transfer rate on the 8-bit SCSI bus is 6 MB/s maximum in asynchronous mode, 20 MB/s in synchronous mode.
- 16-bit SCSI: The data transfer rate on the 16-bit SCSI bus is 12 MB/s maximum in asynchronous mode, 40 MB/s in synchronous mode.

Such a high data transfer rate on the SCSI bus can be useful with the large capacity buffer in the IDD.

Note:

The maximum data transfer rate in asynchronous mode may be limited by the response time of initiator and the length of SCSI bus length. The maximum data transfer rate in synchronous mode on the single-ended SCSI bus may be limited by the cable length, transmission characteristics of the SCSI bus and the connected SCSI device number.

(5) Continuous block processing

The addressing method of data blocks is logical block address. The initiator can access data by specifying block number in a logically continuous data space without concerning the physical structure of the track or cylinder boundaries.

The continuous processing up to [64K-1] blocks in a command can be achieved, and IDD can perform continuous read/write operation when processing data blocks on several tracks or cylinder.

(6) 512 KB programmable multi-segment data buffer

Data is transferred between SCSI bus and disk media through the embedded 512 KB data buffer in the IDD. This buffer can be divided into maximum 16 areas. This feature provides the suitable usage environment for users.

Since the initiator can control the disconnect/reconnect timing on the SCSI bus by specifying the condition of stored data to the data buffer or empty condition of the data buffer, the initiator can perform the effective input/output operations with utilizing high data transfer capability of the SCSI bus regardless of actual data transfer rate of the disk drive.

(7) Read-ahead cache feature

After executing the READ command, the IDD reads automatically and stores (prefetches) the subsequent data blocks into the data buffer (Read-ahead caching).

The high speed sequential data access can be achieved by transferring the data from the data buffer without reaccessing the disk in case the subsequent command requests the prefetched data blocks.

(8) Command queuing feature

The IDD can queue maximum 128 commands, and optimizes the issuing order of queued commands by the reordering function. This feature realizes the high speed processing.

Recording algorithm is adopted to prevent a specific command from staying in a queue for more than 3 seconds.

(9) Reserve and release functions

The IDD can be accessed exclusively in the multi-host or multi-initiator environment by using the reserve and release functions.

(10) Error recovery

The IDD can try to recover from errors in SCSI bus or the disk drive using its powerful retry processing. If a recoverable data check occurs, error-free data can be transferred to the initiator after being corrected in the data buffer. The initiator software is released from the complicated error recover processing by these error recovery functions of the IDD.

(11) Automatic alternate block reassignment

If a defective data block is detected during read, the IDD can automatically reassign its alternate data block.

(12) Programmable data block length

Data can be accessed in fixed-block length units. The data block length is programmable, and can at initializing with a multiple of two for the 512 to 528 bytes.

(13) Defective block slipping

A logical data block can be reallocated in a physical sequence by slipping the defective data block at formatting. This results in high speed contiguous data block processing without a revolution delay due to defective data block.

(14) High speed positioning

A rotary voice coil motor achieves fast positioning.

(15) Large capacity

A large capacity can be obtained from 3.5-inch disk drives by dividing all cylinders into several partitions and changing the recording density on each partition (constant density recording). The disk subsystem with large capacity can be constructed in the good space efficiency.

(16) Start/Stop of spindle motor

Using the SCSI command, the host system can start and stop the spindle motor.

(17) Diagnosis

The IDD has a diagnostic capability which checks internal controller functions and drive operations to facilitate testing and repair.

(18) Low power consumption

By using highly integrated LSI components, the power consumption of the IDD is very low, and this enables the unit to be used in wide range of environmental conditions.

(19) Low noise and low vibration

Approx. 4.2 bels for the IDD. This makes it ideal for office use. The IDD has rubber vibration isolators, which minimize the transfer of vibration.

(20) Microcode downloading

The IDD implements the microcode download feature. This feature achieves easy maintainability of the IDD and function enhancing.

1.2 Hardware Structure

An outer view of the IDD is given in Figures 1.1 to 1.4. The IDD is composed of the disk, head, spindle motor, hermetically sealed disk enclosure (DE) with actuator and air circulation filter, as well as read/write pre-amp with the print card unit (PCA) of the controller.

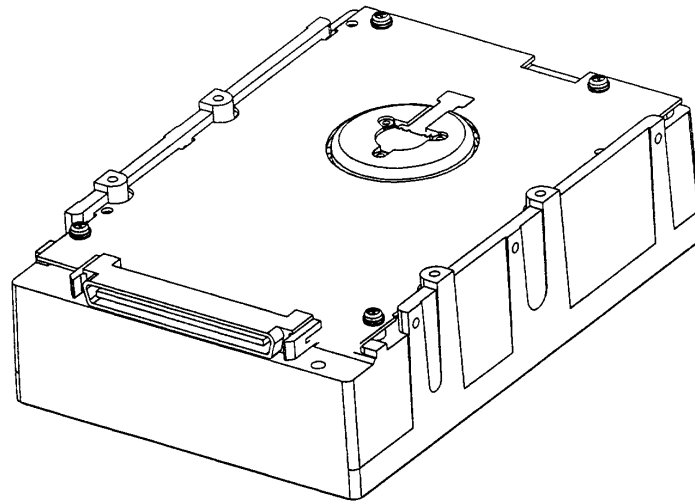


Figure 1.1 MAA31xxSC outer view

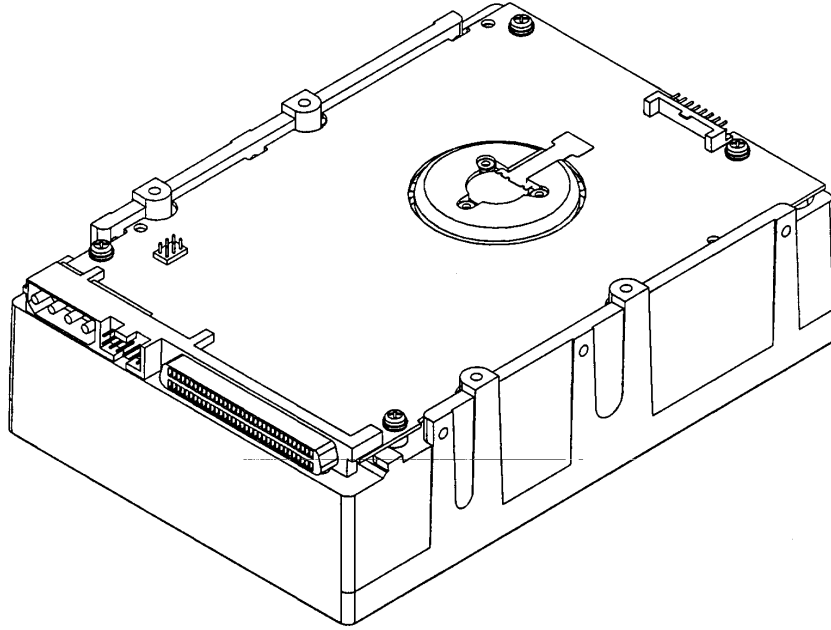


Figure 1.2 MAA31xxSP outer view

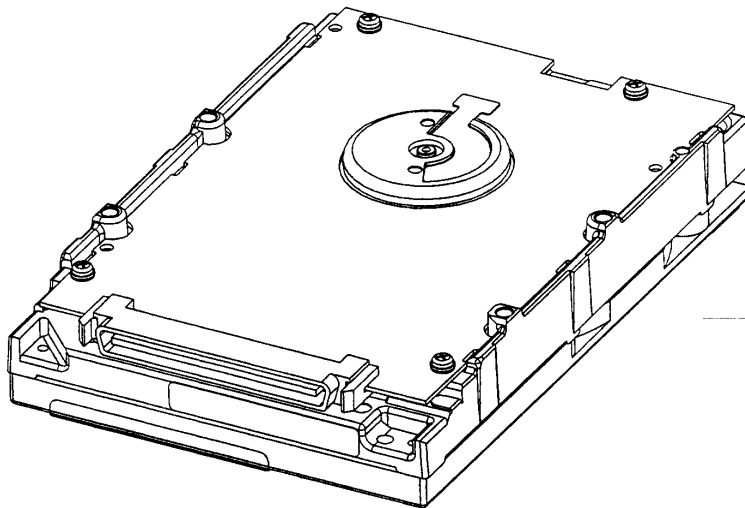


Figure 1.3 MAB30xxSC outer view

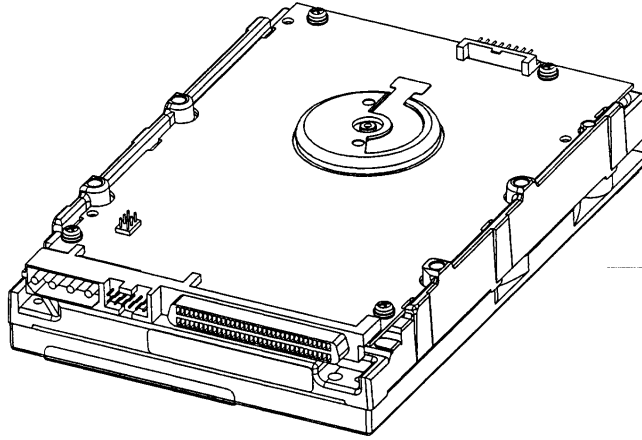


Figure 1.4 MAB30xxSP outer view

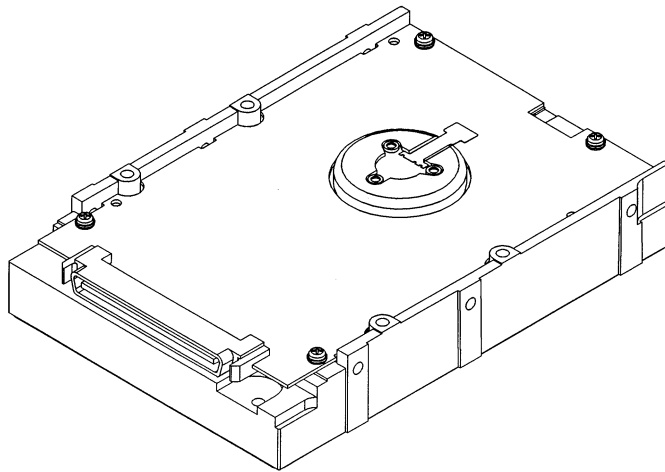


Figure 1.5 MAC30xxSC outer view

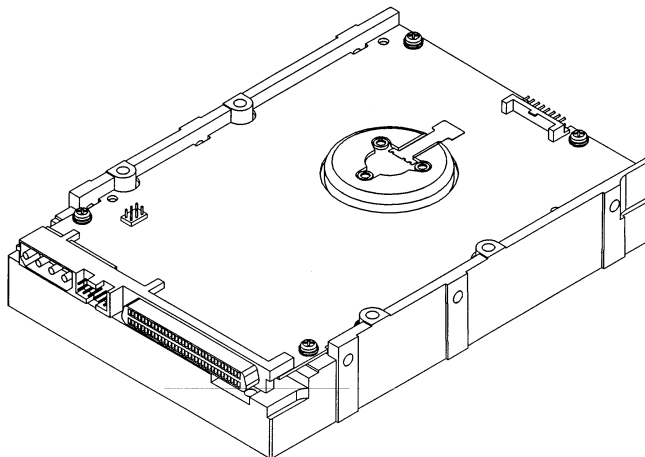


Figure 1.6 MAC30xxSP outer view

(1) Disks

The disks have an outer diameter of 95 mm (3.74 inch) and inner diameter of 25 mm (0.98 inch). The disks are good for at least 10,000 contact starts and stops. Each model contains following number of disks.

MAA3182:10
MAB3091, MAC3091:5
MAB3045, MAC3045:3

(2) Heads

The MR (Magnet - Resistive) of the CSS (contact start/stop) type heads are in contact with the disks when the disks are not rotating, and automatically float when the rotation is started. Figure 1.7 shows the configuration of disks and heads

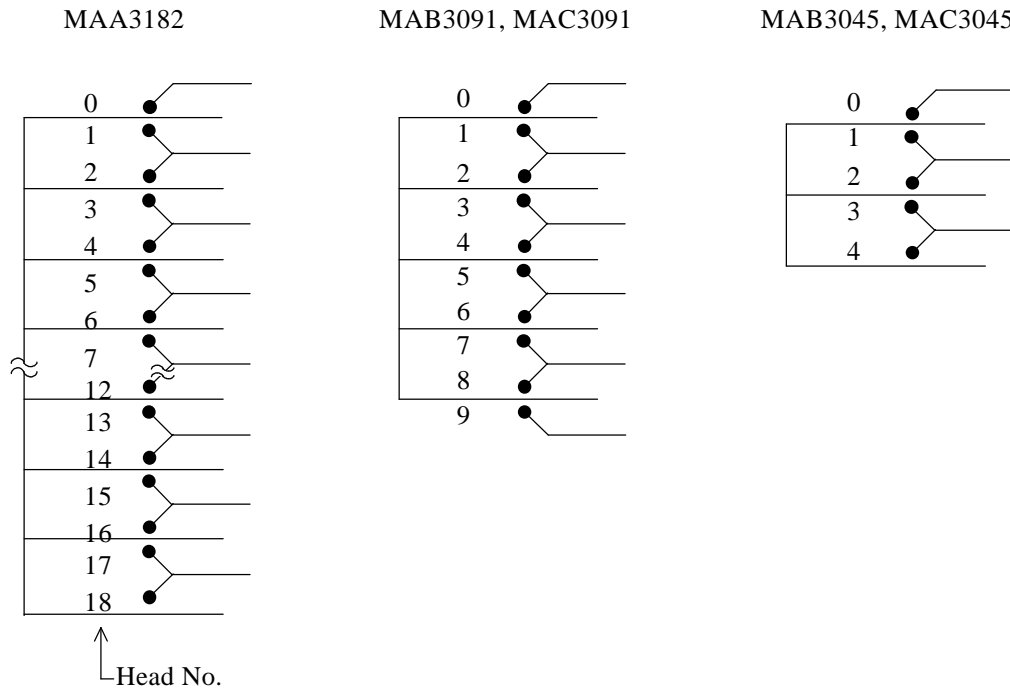


Figure 1.7 Disk/head configuration

(3) Spindle motor

The disks are rotated by a direct-drive hall-less DC motor. The motor speed is controlled by a feedback circuit using the counter electromotive current to precisely maintain the speed at $\pm 0.5\%$ of the specified speed.

(4) Actuator

The actuator, which uses a rotary voice coil motor (VCM), consumes little power and generates little heat. The head assembly at the end of the actuator arm is controlled and positioned via feedback of servo information in the data.

The actuator positions heads on the CCS zone over the disk and is locked by the mechanical lock when the power is off or the spindle motor is stopped.

(5) Air circulation (recirculation filter, breather filter)

The heads, disks, and actuator are hermetically sealed inside a disk enclosure (DE) to keep out dust and other pollutants. The DE has a closed-loop air recirculation system. Using the movement of the rotating disks, air is continuously cycled through a filter. This filter will trap any dust generated inside the enclosure and keep the air inside the DE contaminant free. To prevent negative pressure in the vicinity of the spindle when the disks begin rotating, a breather filter is attached. The breather filter also equalizes the internal air pressure with the atmospheric pressure due to surrounding temperature changes.

(6) Read/write circuit

The read/write circuit uses head LSI chips and partial response class 4 maximum likelihood (PR4ML) modulator and demodulator circuit to prevent errors caused by external noise, thus improving data reliability.

(7) Controller circuit

The controller circuit uses LSIs to increase the reliability and uses a high speed microprocessing unit (MPU) to increase the performance of the SCSI controller.

1.3 System Configuration

Figure 1.8 shows the system configuration. The IDD's are connected to the SCSI bus of host systems and are always operated as target. The IDD's perform input/output operation as specified by SCSI devices which operate as initiator.

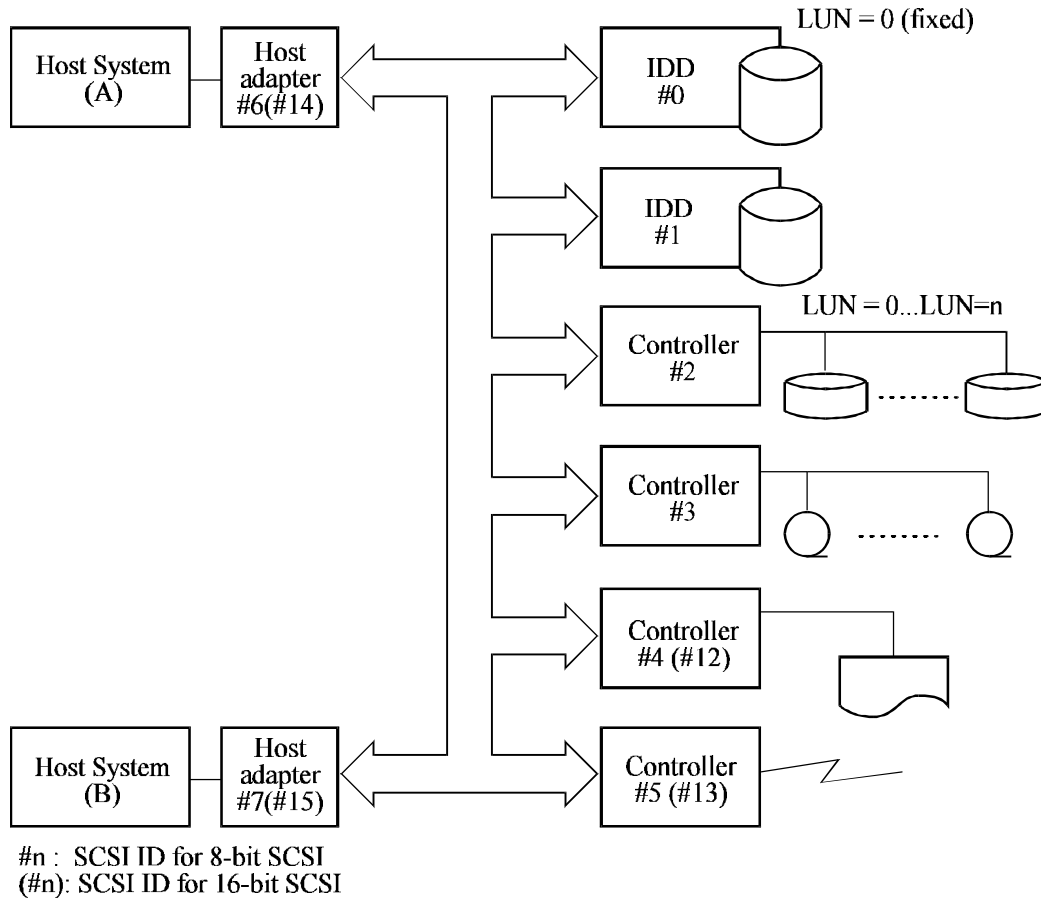


Figure 1.8 System configuration

(1) SCSI bus configuration

Up to eight SCSI devices operating as an initiator or a target can be connected to the SCSI bus for the 8-bit SCSI and up to 16 SCSI devices operating as an initiator or a target can be connected to the SCSI bus for the 16-bit SCSI in any combination.

For example, the system can be configured as multi-host system on which multiple host computers that operate as initiator or connected through the SCSI bus.

Using disconnect/reconnect function, concurrent input/output processing is possible on multi-SCSI devices.

(2) Addressing of peripheral device

Each SCSI device on the bus has its own unique address (SCSI ID:#n in Figure 1.6). For input/output operation, a peripheral device attached to the SCSI bus that operates as target is addressed in unit called as logical unit. A unique address (LUN: logical unit number) is assigned for each logical unit.

The initiator selects one SCSI device by specifying that SCSI ID, then specifies the LUN to select the peripheral device for input/output operation.

The IDD is constructed so that the whole volume of disk drive is a single logical unit, the selectable number of SCSI ID and LUN are as follows:

- SCSI ID: 8-bit SCSI:Selectable from 0 to 7 (switch selectable)
16-bit SCSI:Selectable from 0 to 15 (switch selectable)
- LUN: 0 (fixed)

CHAPTER 2 SPECIFICATIONS

2.1 Hardware Specifications

2.2 SCSI Function Specifications

This chapter describes specifications of the IDD and the functional specifications of the SCSI.

2.1 Hardware Specifications

2.1.1 Model name and part number

Each model has a different data format and front panel type when shipped. (See Appendix D for the model name (type) and product number.)

The data format can be changed by reinitializing with the user's system.

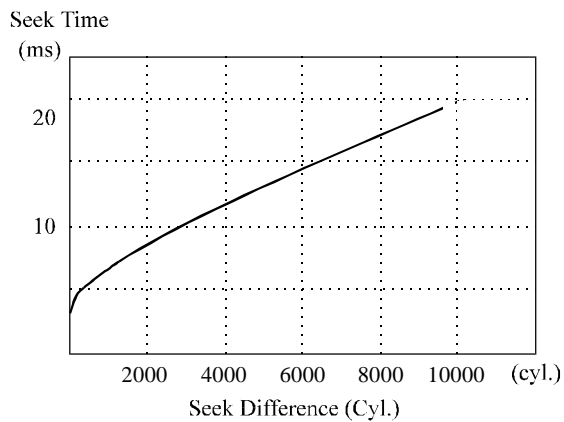
2.1.2 Function specifications

Table 2.1 shows the function specifications of the IDD.

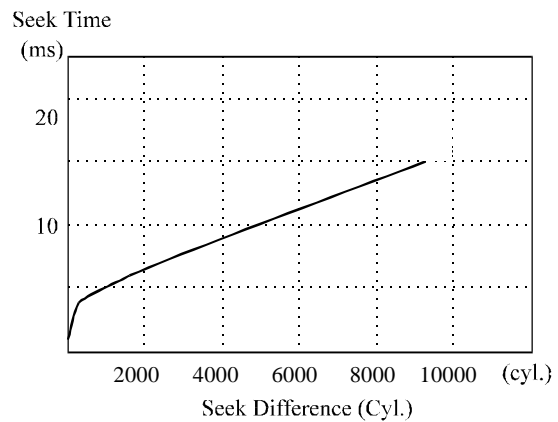
Table 2.1 Function specifications

Item		Specification				
		MAA3182xx	MAB3091xx	MAB3045xx	MAC3091xx	MAC3045xx
Formatted capacity/device (*1)		18.2 GB	9.1 GB	4.55 GB	9.1 GB	4.55 GB
Unformatted capacity/device		23.9 GB	11.9 GB	5.95 GB	11.8 GB	5.90 GB
Number of disks		10	5	3	5	3
Number of heads		19	10	5	10	5
Number of cylinders (*2)		9,041	8,491		8,691	
Unformatted capacity/track		81,920 to 126,976	85,504 to 126,976		79,872 to 126,976	
Number of rotations (rpm)		7,200±0.5%			10,033±0.5%	
Average latency time		4.17 ms			2.99 ms	
Seek time (*3) (Read/Write)	Minimum	0.9 ms (Read)/ 1.1 ms (Write)		0.8 ms (Read)/ 1.0 ms (Write)		
	Average	8.0 ms (Read)/ 9.0 ms (Write)		7.5 ms (Read)/ 8.5 ms (Write)		
	Maximum	17.0 ms (Read)/ 18.0 ms (Write)		16.0 ms (Read)/ 17.0 ms (Write)		
Start/stop time (*4)	Start time	30 s typ. (60 s max.)				
	Stop time	30 s typ.				
Recording mode		PR4ML				
Recording density		121,000 to 159,000 bpi			116,093 to 159,084 bpi	
Track density		9,620 TPI			9,200 TPI	
External dimensions	Height	41.3 mm	25.4 mm			
	Width	101.6 mm	101.6 mm			
	Depth	146.0 mm	146.0 mm			
Weight		1.0 kg	0.65 kg	0.70 kg		
Power consumption (*5)	16bit-SCSI	13 W	9 W	14 W		
	Single-ended type					
Interface	Fast SCSI	Cable length: 6 m max				
	Fast 20 SCSI	Cable length: 3 m max (*6) Cable length: 1.5 m max (*7)				
Data transfer rate (*8)	Disk drive		12.3 to 19.5 MB/s	13.2 to 19.5 MB/s	17.2 to 27.2 MB/s	
	SCSI	Asynchronous mode	12 MB/s max.			
		Synchronous mode	40 MB/s max.			
Logical data block length (*1)		512 to 528 byte (Fixed length)				
SCSI command specification		ANSI X3.13-1986 and CCS (Rev. 4B) conformity (SCSI-2 ANSI X3T9.2/86-109 Rev 10h) command support SCSI-3 command partial support				
Data buffer		512 KB FIFO ring buffer, multi-segment buffer: Segment count 1 to 16, Read-ahead cache				

- (*1) The formatted capacity can be changed by changing the logical block length and using spare sector space. See Chapter 3 for the further information.
- (*2) The number of user cylinders indicates the max., and includes the alternate cylinder. The number of user cylinders and alternate cylinders can be specified at format of the IDD.
- (*3) The positioning time is as follows:



MAA31xxxx



MAB30xxxx/MAC30xxxx

- (*4) The start time is the time from power on or start command to when the IDD is ready, and stop time is the time for disks to completely stop from power off or stop command.
- (*5) This value indicates at ready mode.
- (*6) Up to 4 SCSI devices having capacitance of 25pF or less can use cable length of up to 3.0 m.
- (*7) 5 to 8 SCSI devices having capacitance of 25pF or less can use cable length of up to 1.5 m.
- (*8) The maximum data transfer rate may be restricted to the response speed of initiator and by transmission characteristics.
- (*9) The terminator power pin (SCSI connector) which supplies power to other terminators is not used.

2.1.3 Environmental specifications

Table 2.2 lists environmental and power requirements.

Table 2.2 Environmental/power requirements

		MAA3182xx	MAB3091xx	MAB3045xx	MAC3091xx	MAC3045xx
Temperature (*1)	Operating	5 to 50°C				
	Non-operating	- 40 to 60°C				
	DE surface temperature at operating	5 to 55°C				
	Gradient	15°C/h or less				
Relative humidity	Operating	20 to 80%RH				
	Non operating	20 to 80%RH Packaged (inside of a week) 5 to 90%RH				
	Maximum wet bulb temperature	29°C (no condensation)				
Vibration (*2)	Operating (*3)	0.3 mm (5 to 20Hz)/0.5G (20 to 250 Hz) or less				
	Non-operating (*4)	3.1 mm (5 to 20Hz)/5G (20 to 250Hz) or less Packaged 3.1 mm (5 to 20Hz)/5G (20 to 250Hz) or less				
Shock (*2)	Operating	5G (11 ms half-sin.) or less				
	Non-operating	50G or less (11 ms half-sin.)	60G or less (11 ms half-sin)			
Altitude (above sea level)	Operating	0 m to 3,000 m (above sea level)				
	Non-operating	0 m to 12,000 m (above sea level)				
Power requirements	+12 VDC ±5%					
	Ready (Average)	0.77 A	0.43 A	0.27 A	0.85 A	0.60 A
	Spin-up, Seek	2.5 A (Max)	1.8 A (Max)	1.8 A (Max)	2.5 A (Max)	2.5 A (Max)
	Peak within 100 µs at spin-up	3.0 A	3.0 A	3.0 A	3.0 A	3.0 A
	Input power (*5)	+5 VDC ±5% (*6)				
	Ready Random W/R (about 80 IOPS)	0.75 A 1.1 A				
	Ripple (*7)	+5 V 100 mVp-p, +12 V 150 mVp-p				

(*1) For detail condition, see Section 4.1.

(*2) Vibration applied to the drive is measured at near the mounting screw hole on the frame as much as possible.

(*3) At random seek write/read and default on retry setting with log sweep vibration.

(*4) At power-off state after installation
Vibration displacement should be less than 2.5 mm.

(*5) Input voltages are specified at the connector.

- (*6) The terminator power pin (SCSI connector) which supplies power to other terminators is not used (See Section 4.3).
- (*7) High frequency noise is less than 100 mVp-p.

2.1.4 Error rate

Errors detected during initialization and replaced by alternate block assignments are not included in the error rate. Data blocks to be accessed should be distributed over the disk medium equally.

- (1) Unrecoverable error rate

Errors which cannot be recovered within 63 retries and ECC correction should not exceed 10 per 10^{15} bits.

- (2) Positioning error rate

Positioning errors which can be recovered by one retry should be 10 or less per 10^8 seeks.

2.1.5 Reliability

- (1) Mean Time Between Failures (MTBF)

MTBF of the IDD during its life time is 1,000,000 hours (operating: 24 hours/day, 7 days/week average DE surface temperature: 40°C or less).

Note:

The MTBF is defined as:

$$\text{MTBF} = \frac{\text{Operating time (hours) at all field sites}}{\text{The number of equipment failures from all field sites}}$$

Failure of the equipment means failure that requires repair, adjustments, or replacement. Mishandling by the operator, failures due to bad environmental conditions, power trouble, host system trouble, cable failures, or other failures not caused by the equipment are not considered.

- (2) Mean Time To Repair (MTTR)

MTTR is the average time taken by a well-trained service mechanic to diagnose and repair a drive malfunction. The drive is designed for a MTTR of 30 minutes or less.

(3) Service life

The service life under suitable conditions and treatment is as follows.

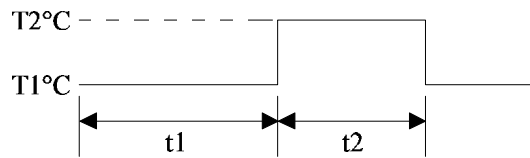
The service life is depending on the environment temperature. Therefore, the user must design the system cabinet so that the average DE surface temperature is as possible as low.

- DE surface temperature: 45°C or less 5 years
- DE surface temperature: 46°C to 50°C 4 years
- DE surface temperature: 51°C to 55°C 3 years
- DE surface temperature: 56°C and more strengthen cooling power so that DE surface temperature is 55°C or less.

Even if the IDD is used intermittently, the longest service life is 5 years.

Note:

The "average DE surface temperature" means the average temperature at the DE surface throughout the year when the IDD is operating.



$$\text{Average DE surface temperature} = \frac{T1 \times t1 + T2 \times t2}{t1 + t2}$$

(4) Data security at power failure

Integrity of the data on the disk is guaranteed against all forms of DC power failure except on blocks where a write operation is being performed. The above does not apply to formatting disks or assigning alternate blocks.

2.2 SCSI Function Specifications

Table 2.3 shows the SCSI functions provided with the IDD.

See Appendix E for the SCSI interface functions provided for the IDD. Refer to the OEM Manual –SCSI Physical Specifications–, for details or specifications.

Table 2.3 SCSI function specifications

Item		Specification	
Electrical requirements	Single-ended type		O
	Differential type		×
	Single-ended type	Position where the terminating resistor is mounted on the PCA	O
	Differential type	Position where the terminating resistor is mounted on the PCA	×
	TERMPWR signal send/receive function		O
Connector	Non-shielded type (50 mil pitch): 16-bit SCSI		O
	Shielded type		×
Data bus parity		O	
Bus arbitration function		O	
Disconnection/reconnection function		O	
Addressing	SCSI ID	8-bit SCSI 16-bit SCSI	#0 to #7 (Jumper selection) #0 to #15 (Jumper selection)
	LUN (logical unit number)		#0 fixed
Data transfer	Asynchronous mode	8-bit SCSI 16-bit SCSI	O 6 MB/s max. O 12 MB/s max.
	Synchronous mode	8-bit SCSI 16-bit SCSI	O 20 MB/s max. O 40 MB/s max.
Data buffer		512-KB programmable segment buffer (1 to 16)	
Data block length (Logical data length=Physical data length)		512 to 528 bytes (Fixed length)	

O : Provided × : Not provided

CHAPTER 3 DATA FORMAT

3.1 Data Space

3.2 Logical Data Block Addressing

3.3 Defect Management

This chapter explains data space definition, logical data block addressing, and defect management on the IDD.

3.1 Data Space

The IDD manages the entire data storage area divided into the following three data spaces.

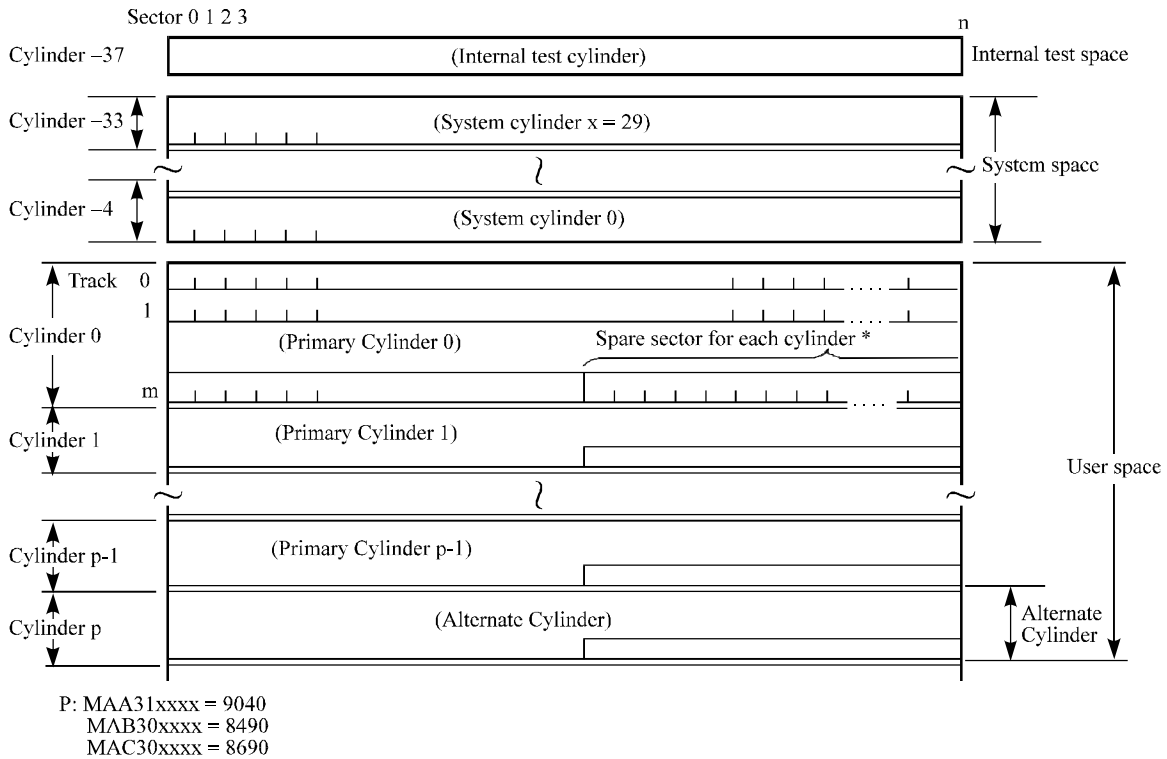
- User space: Storage area for user data
- Internal test space: Reserved area for diagnostic purposes
- System space: Area for exclusive use of IDD itself

The user space allow a user access by specifying data. These space can be accessed with the logical data block addressing method described in Section 3.2. The internal test space is used by Read/write test of self-diagnostics test, but user can't use direct access. The system space is accessed inside the IDD at power-on or during the execution of a specific command, but the user cannot directly access the system space.

3.1.1 Cylinder configuration

The IDD allocates cylinders to the user space, Internal test space, and system space. Figure 3.1 is the cylinder configuration.

Spare areas (alternate areas) for defective sectors are provided in the user space. Several sectors in the last track of one cylinder and several cylinders (alternate cylinders) in the user space are allocated as alternate areas according to the user's assignment (MODE SELECT command). See Subsection 3.1.2 for details.



*1 Spare sectors on the last track in each cylinder are not necessarily placed at the end of the track because of a track skew or a cylinder skew. (Details are explained in Subsection 3.1.3.)

Figure 3.1 Cylinder configuration

Apart from the above logical configuration, the IDD intends to increase the storage capacity by dividing all cylinders into several zones and changing a recording density of each zone. Tables 3.1 and 3.2 show the zone layout and the track capacity.

Table 3.1 Zone layout and track capacity (MAA31xxxx)

Zone	0	1	2	3	4	5	6
Cylinder	0 to 769	770 to 1,549	1,550 to 2,279	2,280 to 2,699	2,700 to 3,499	3,500 to 4,259	4,260 to 5,089
Byte/track	162,250	154,160	←	150,833	146,666	141,666	136,666
Sector/track	248	240	←	230	224	216	208

Zone	7	8	9	10	11	12	13
Cylinder	5,090 to 6,099	6,100 to 6,479	6,480 to 7,149	7,150 to 7,669	7,670 to 7,959	7,960 to 8,489	8,490 to 9,039
Byte/track	130,000	127,625	121,900	118,333	115,833	110,416	102,500
Sector/track	200	194	186	180	176	167	160

Table 3.2 Zone layout and track capacity (MAB30xxxx)

Zone	0	1	2	3	4	5	6
Cylinder	0 to 769	770 to 1,549	1,550 to 2,279	2,280 to 2,699	2,700 to 3,499	3,500 to 4,259	4,260 to 5,089
Byte/track	162,250	154,166	←	150,833	146,666	141,666	136,666
Sector/track	248	240	←	230	224	216	208

Zone	7	8	9	10	11	12
Cylinder	5,090 to 6,099	6,100 to 6,479	6,480 to 7,149	7,150 to 7,669	7,670 to 7,959	7,960 to 8,489
Byte/track	130,000	127,625	121,900	118,333	115,833	110,416
Sector/track	200	194	186	180	176	167

Table 3.3 Zone layout and track capacity (MAC30xxxx)

Zone	0	1	2	3	4	5	6
Cylinder	0 to 409	410 to 1,209	1,210 to 1,759	1,760 to 2,559	2,560 to 3,259	3,260 to 3,909	3,910 to 4,039
Byte/track	162,774	154,698	←	151,104	147,484	143,719	141,207
Sector/track	248	240	←	230	225	220	214

Zone	7	8	9	10	11	12	13
Cylinder	4,310 to 4,969	4,970 to 5,509	5,510 to 6,109	6,110 to 6,609	6,610 to 7,469	7,470 to 8,069	8,070 to 8,689
Byte/track	136,738	132,779	128,061	123,873	116,128	110,150	103,154
Sector/track	210	201	195	187	180	166	156

(1) User space

The user space is a storage area for user data. The data format on the user space (the length of data block and the number of data blocks) can be specified with the MODE SELECT or MODE SELECT EXTENDED command.

The default number of cylinders in the user space is 9,041 for MAA31xxxx, 8,491 for MAB30xxxx and 8,691 for MAC30xxxx. The user, however, can select the number of cylinders to be allocated in the user space by specifying 9,041 for MAA31xxxx, 8,491 for MAB30xxxx and 8,691 for MAC30xxxx as the maximum and the number of alternate cylinders + 1 as the minimum. The user can also specify the number of logical data blocks to be placed in the user space with the MODE SELECT or MODE SELECT EXTENDED command. When the number of logical data blocks is specified, as many cylinders as required to place the specified data blocks are allocated in the user space.

A number starting with 0 is assigned to each cylinder required in the user space in ascending order. If the number does not reach 9,041 (MAA31xxxx), 8,491 (MAB30xxxx) and 8,691 (MAC30xxxx), the rest of the cylinders will not be used.

Always one alternate cylinders can be established in the user space. Alternate cylinders will be used for alternate blocks when primary cylinders in the user space are used up. See Subsections 3.1.2 and 3.3.2 for details.

(2) Internal test space

The Internal test space is an area for diagnostic purposes only and its data block length is always 512KByte. The Internal test space consists of only 1 cylinder and outer-host cylinder is always assigned. The user cannot change the number of cylinders in the Internal test space or their positions.

The IDD reads or writes the data block in the Internal test space during the self-diagnostic test specified with a SEND DIAGNOSTIC command.

(3) System space

The system space is an area for exclusive use of the IDD itself and the following information are recorded. The length of the data block is always 512 bytes.

- Defect list (P list and G list)
- MODE SELECT parameter (saved value)
- Statistical information (log data)
- Controller control information

The above information are duplicated in several different locations for safety.

Note:

The system space is also called SA space.

3.1.2 Alternate spare area

The alternate spare area is provided in the last track of each primary cylinder in the user space, and in the last track of the cylinder and the alternate cylinder.

The spare area in each cylinder is placed at the end of the last track as shown in Figure 3.2. These spare sectors are located in the end of the track logically, not necessarily located at the end physically because of track skew or cylinder skew. (Details are explained on Subsection 3.1.3.)

Size can be specified by the MODE SELECT command.

The number of spare sectors per cylinder can be specified exceeding 32. The default value of number of 9space sectors per cylinder is 20.

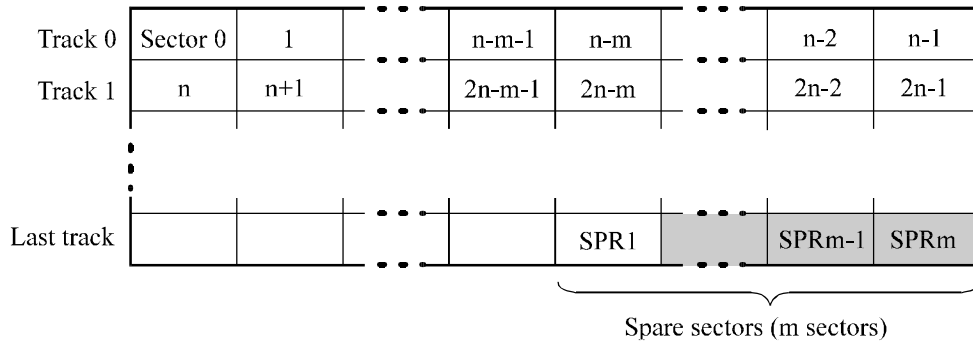


Figure 3.2 Spare area in cylinders

An alternate cylinder is used when spare sectors in a cylinder are used up or 0 is specified as the number of spare sectors in a cylinder. Several cylinders at the end of the user space are allocated as alternate cylinders as shown in Figure 3.3.

The number of alternate cylinder is 1.

The user space and the CE space share the alternate cylinders.

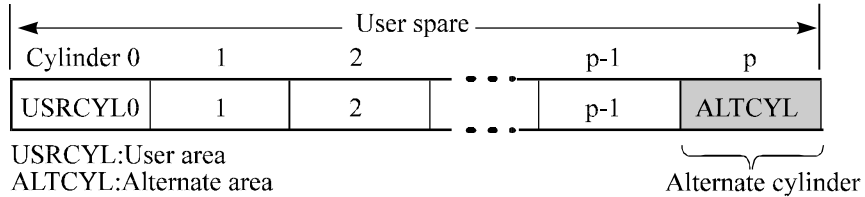


Figure 3.3 Alternate cylinder

Note:

Zero cannot be specified for both the number of spare sectors in each cylinder and the number of alternate cylinders.

3.1.3 Track format

(1) Physical sector allocation

Figure 3.4 shows the allocation of the physical sectors in a track. The length in bytes of each physical sector and the number of sectors per track vary depending on the logical data block length. The unused area (G4) exists at the end of the track in formats with most logical data block lengths.

The interval of the sector pulse (length of the physical sector) is decided by multiple of 15MHz free running frequency. This clock is not equal to the interval of the byte clock for each zone. Therefore, the physical sector length cannot be described with a byte length.

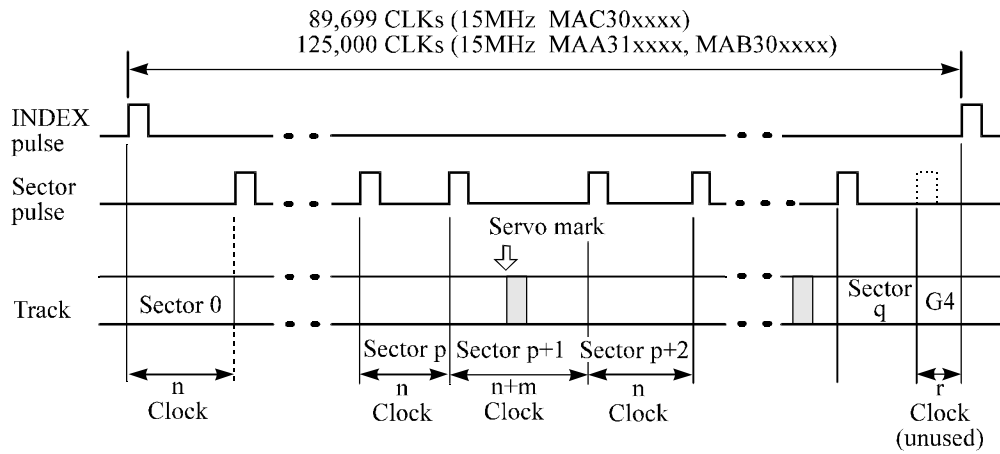


Figure 3.4 Track format

(2) Track skew and cylinder skew

To avoid waiting for one turn involved in head and cylinder switching, the first logical data block in each track is shifted by the number of sectors (track skew and cylinder skew) corresponding to the switching time. Figure 3.5 shows how the data block is allocated in each track.

At the head switching location in a cylinder, the first logical data block in track $t + 1$ is allocated at the sector position which locates the track skew behind the sector position of the last logical data block sector in track t .

At the cylinder switching location, like the head switching location, the first logical data block in a cylinder is allocated at the sector position which locates the cylinder skew behind the last logical sector position in the preceding cylinder. The last logical sector in the cylinder is allocated when formatting, and is an unused spare sector.

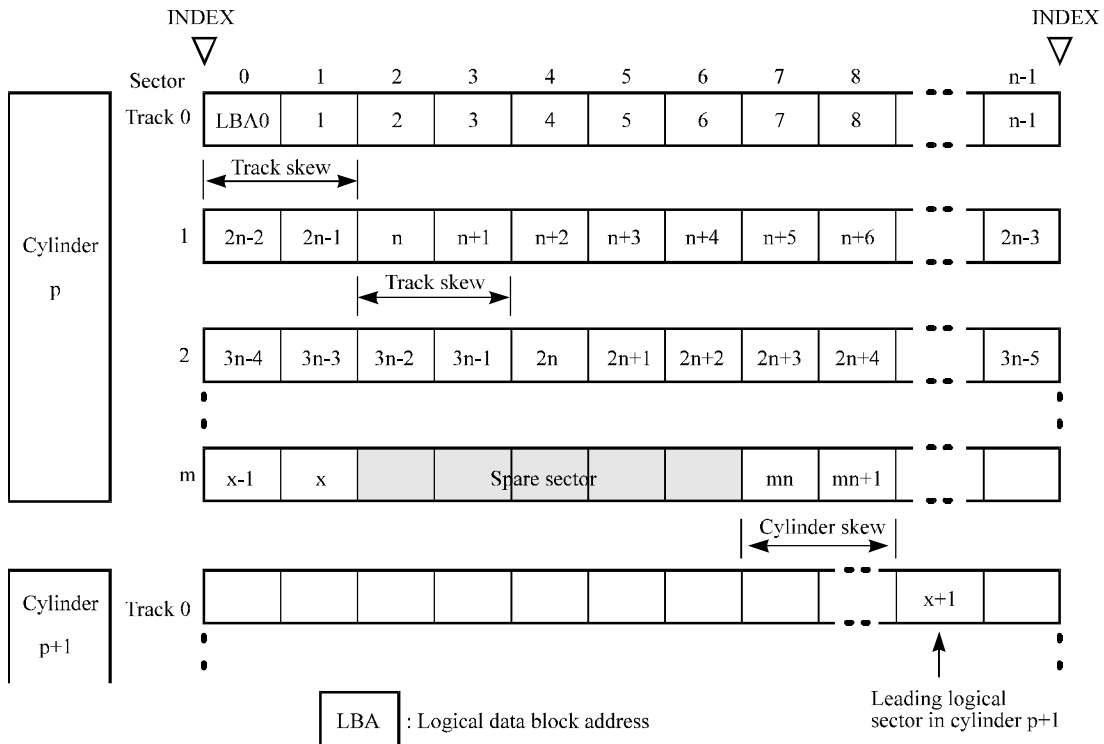


Figure 3.5 Track skew/cylinder skew

The number of physical sectors (track skew factor and cylinder skew factor) corresponding to the skew time varies depending on the logical data block length because the track skew and the cylinder skew are managed for individual sectors. The IDD automatically determines appropriate values for the track skew factor and the cylinder skew factor according to the specified logical data block length. The value can be read out by the MODE SENSE or MODE SENSE EXTENDED command after the track has been formatted.

3.1.4 Sector format

Each sector on the track consists of an ID field, a data field, and a gap field which separates them. Figure 3.6 gives sector format examples.

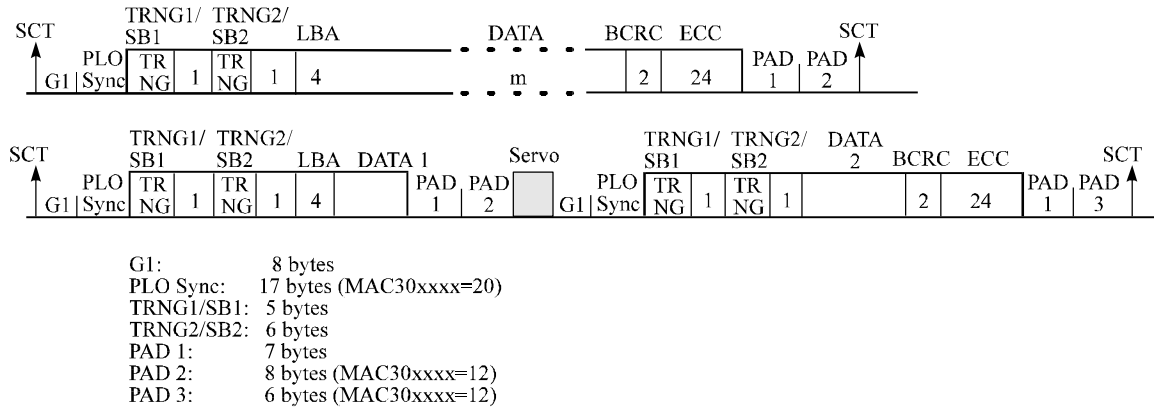


Figure 3.6 Sector format

Each sector on the track consists of the following fields:

(1) Gaps (G1)

The gap length at the time of formatting (initializing) is listed in Figure 3.6. Pattern X'00' is written on the gap field.

(2) PLO Sync

In this field, pattern X'00' in the length in bytes listed in Figure 3.6 is written.

(3) Trailing (TRNG)/Sync Byte (SB)

In this field, special pattern in the length in bytes listed in Figure 3.6 is written.

(4) LBA

The logical block address is written in this field.

(5) Data field

User data is stored in the data field of the sector. The length of the data field is equal to that of the logical data block which is specified with a parameter in the MODE SELECT command. Any even number between 512 and 528 bytes can be specified as the length.

(6) BCRC

It is a 2-byte error detection code. Errors in the ID field. Single burst errors with lengths of up to 16 bits for each logical block can be detected.

(7) ECC

24-byte data error detection/correction code for the data field. It is possible to on-the-fly correct the single burst errors with lengths of up to 89 bits.

(8) PAD 1

A specified length of x'00' pattern shown in Figure 3.6 is written in this field. This field includes the variation by rotation and circuit delay till reading/writing.

(9) PAD 2/PAD 3

A specified length of x'00' pattern shown in Figure 3.6 is written in this field. This field contains the processing time necessary to process next sector continuously. This field have rotational speed variation.

3.1.5 Format capacity

The size of the usable area for storing user data on the IDD (format capacity) varies according to the logical data block or the size of the spare sector area. Table 3.4 lists examples of the format capacity when the typical logical data block length and the default spare area are used. The following is the general formula to calculate the format capacity.

$$[\text{Number of sectors of each zone}] = [\text{number of sectors per track} \times \text{number of tracks (heads)} - \text{number of alternate spare sectors per cylinder}] \times [\text{number of cylinders in the zone}]$$

$$[\text{Formatted capacity}] = [\text{total of sectors of all zones}] - [\text{number of sectors per track in last zone} \times \text{number of tracks (heads)} \times \text{number of alternate cylinders}] \div [\text{number of physical sectors in logical block}] \times [\text{logical data block length}]$$

The following formula must be used when the number of logical data blocks are specified with the parameter in the MODE SELECT or MODE SELECT EXTENDED command.

$$[\text{Format capacity}] = [\text{logical data block length}] \times [\text{number of logical data blocks}]$$

The logical data block length, the maximum logical block address, and the number of the logical data blocks can be read out by a READ CAPACITY, MODE SENSE, or MODE SENSE EXTENDED command after initializing the disk medium.

Table 3.4 Format capacity

Model	Data heads	Data block length	User blocks	Format capacity (GB)
MAA3182xx	19	512	35,680,750	18.2
MAB3091xx	10		17,824,700	9.1
MAB3045xx	5		8,895,370	4.55
MAC3091xx	10		17,871,600	9.1
MAC3045xx	5		8,918,420	4.55

Note:

Total number of spare sectors is calculated by adding the number of spare sectors in each primary cylinder and the number of sectors in the alternate cylinders.

3.2 Logical Data Block Addressing

Independently of the physical structure of the disk drive, the IDD adopts the logical data block addressing as a data access method on the disk medium. The IDD relates a logical data block address to each physical sector at formatting. Data on the disk medium is accessed in logical data block units. The INIT specifies the data to be accessed using the logical data block address of that data.

The logical data block addressing is a function whereby individual data blocks are given addresses of serial binaries in each drive.

(1) Block address of user space

The logical data block address number is consecutively assigned to all of the data blocks in the user space starting with 0 to the first data block.

The IDD treats sector 0, track 0, cylinder 0 as the first logical data block. The data block is allocated in ascending order of addresses in the following sequence (refer to Figure 3.5):

- 1) Numbers are assigned in ascending order to all sectors in the same track.
- 2) By following step 1), numbers are assigned in ascending order of tracks to all sectors in each track in the same cylinder except the last track.
- 3) By following step 1), numbers are assigned to all sectors in the last track except the spare sectors.
- 4) After completing steps 1) through 3) for the same cylinder, this allocation is repeated from track 0 in the next cylinder and on to the last cylinder (cylinder p-q in Figure 3.1) except for the alternate cylinders in ascending order of cylinder numbers.

When the logical data block is allocated, some sectors (track skew and cylinder skew) shown in Figure 3.5 are provided to avoid waiting for one turn involving head and cylinder switching at the location where the track or the cylinder is physically switched.

See Subsection 3.3.2 for defective/alternate block treatment and the logical data block allocation method in case of defective sectors exist on the disk.

(2) Alternate area

Alternate areas in the user space (spare sectors in the cylinder and alternate cylinders) are not included in the above logical data block addresses. Access to sectors which are allocated as an alternate block in the alternate area is made automatically by means of IDD sector slip treatment or alternate block treatment (explained in Subsection 3.3.2), so the user does not have to worry about accessing the alternate area. The user cannot access with specifying the data block on the alternate area explicitly.

3.3 Defect Management

3.3.1 Defect list

Information of the defect location on the disk is managed by the defect list. The following are defect lists which the IDD manages.

- P list (Primary defect list): This list consists of defect location information available at the disk drive shipment and is recorded in a system space. The defects in this list are permanent, so the INIT must execute the alternate block allocation using this list when initializing the disk.
- D list (Data defect list): This list consists of defect location information specified in a FORMAT UNIT command by the INIT at the initialization of the disk. This information is recorded in the system space of the disk drive as the G list. To execute the alternate block allocation, the FORMAT UNIT command must be specified.
- C list (Certification defect list): This list consists of location information on defective blocks which are detected by the verifying operation (certification) of the data block after the initiation when executing the FORMAT UNIT command. The IDD generates this information when executing the FORMAT UNIT command, and the alternate block allocation is made upon the defective block. This information is recorded in the system space of the disk drive as the G list.
- G list (Growth defect list): This list consists of defective logical data block location information specified in a REASSIGN BLOCKS command by the INIT, information on defective logical data blocks assigned alternate blocks by means of IDD automatic alternate block allocation, information specified as the D list, and information generated as the C list. They are recorded in the system space on the disk drive.

The INIT can read out the contents of the P and G lists by the READ DEFECT DATA command.

3.3.2 Alternate block allocation

The alternate data block is allocated to a defective data block (= sectors) in defective sector units by means of the defect management method inside the IDD.

The INIT can access all logical data blocks in the user space, as long as there is no error.

Spare sectors to which alternate blocks are allocated can be provided in either "spare sectors in a cylinder" or "alternate cylinders". See Subsection 3.1.2 for details.

The INIT can specify the size and area for spare sectors by the MODE SELECT command at the time of the initialization of the disk.

Both of the following are applicable to the alternate block allocation.

- Sector slip treatment: Defective sectors are skipped and the logical data block corresponding to those sectors is allocated to the next physical sectors. This treatment is made on the same cylinder as the defective sector's and is effective until all spare sectors in that cylinder are used up.

- Alternate sector treatment: The logical data block corresponding to defective sectors is allocated to unused spare sectors in the same cylinder or unused spare sectors in the alternate cylinder.

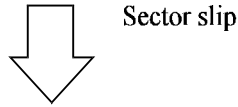
The alternate block allocation is executed by the FORMAT UNIT command, the REASSIGN BLOCKS command, or the automatic alternate block allocation. Refer to OEM Manual–SCSI Logical Specifications—for details of specifications on these commands. The logical data block is allocated to the next physically continued sectors after the above sector slip treatment is made. On the other hand, the logical data block is allocated to spare sectors which are not physically consecutive to the adjacent logical data blocks. If a command which processes several logical data blocks is specified, the IDD processes those blocks in ascending order of logical data block.

(1) Alternate block allocation during FORMAT UNIT command execution

When the FORMAT UNIT command is specified, the allocation of the alternate block to those defective sectors included in the specified lists (P, G, or D) is continued until all spare sectors in the same cylinder are used up. When they are used up, unused spare sectors in the alternate cylinder are allocated to the subsequent sectors in the cylinder by means of alternate sector treatment. Figure 3.7 is examples of the alternate block allocation during the FORMAT UNIT command execution.

Example 1

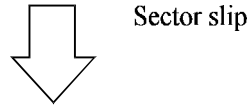
0	1	×	3	4	5	6	7
8	9	10	11	12	×	14	15
16	17	18	19	20	21	22	23
×	25	26	27	S	S	S	S



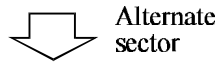
0	1	×	2	3	4	5	6
7	8	9	10	11	×	12	13
14	15	16	17	18	19	20	21
×	22	23	24	25	26	27	S

Example 2

0	1	×	3	4	5	6	7
×	9	10	11	12	×	14	15
16	17	18	×	20	21	22	23
×	25	26	27	S	S	S	S



						S	S	S	S
0	1	×	2	3	4	5	6	S	S
×	7	8	9	10	×	11	12	S	S
13	14	15	×	16	17	18	19	S	S
×	21	22	23	24	25	26	27	Alternate cylinder	



						20	S	S	S
0	1	×	2	3	4	5	6	S	S
×	7	8	9	10	×	11	12	S	S
13	14	15	×	16	17	18	19	S	S
×	21	22	23	24	25	26	27	Alternate cylinder	

n : n represents a logical data block number

× : Defective sector

S : Unused spare sector

Figure 3.7 Alternate block allocation by FORMAT UNIT command

If the data block verifying operation (certification) is not permitted (DCRT flag = 0) in the FORMAT UNIT command, the IDD checks all initialized logical data blocks by reading them out after the above alternate block allocation is made to initialize (format) the disk. If a defective data block is detected during the check, the IDD generates the C list for defect location information and allocates the alternate block to the defective data block. This alternate block allocation is made by means of alternate sector treatment only like processing by the REASSIGN BLOCKS command even if unused spare sectors exist in the same cylinder.

(2) Alternate block allocation by REASSIGN BLOCKS command

When the REASSIGN BLOCKS command is specified, the alternate block is allocated to the defective logical data block specified by the initiator by means of alternate sector treatment. If there are unused spare sectors in the same cylinder as the specified defective logical data block, the alternate block is allocated to these unused spare sectors. However, the alternate block is allocated to unused spare sectors in the alternate cylinder when all spare sectors in the cylinder are used up.

Figure 3.8 is examples of the alternate block allocation by the REASSIGN BLOCKS command.

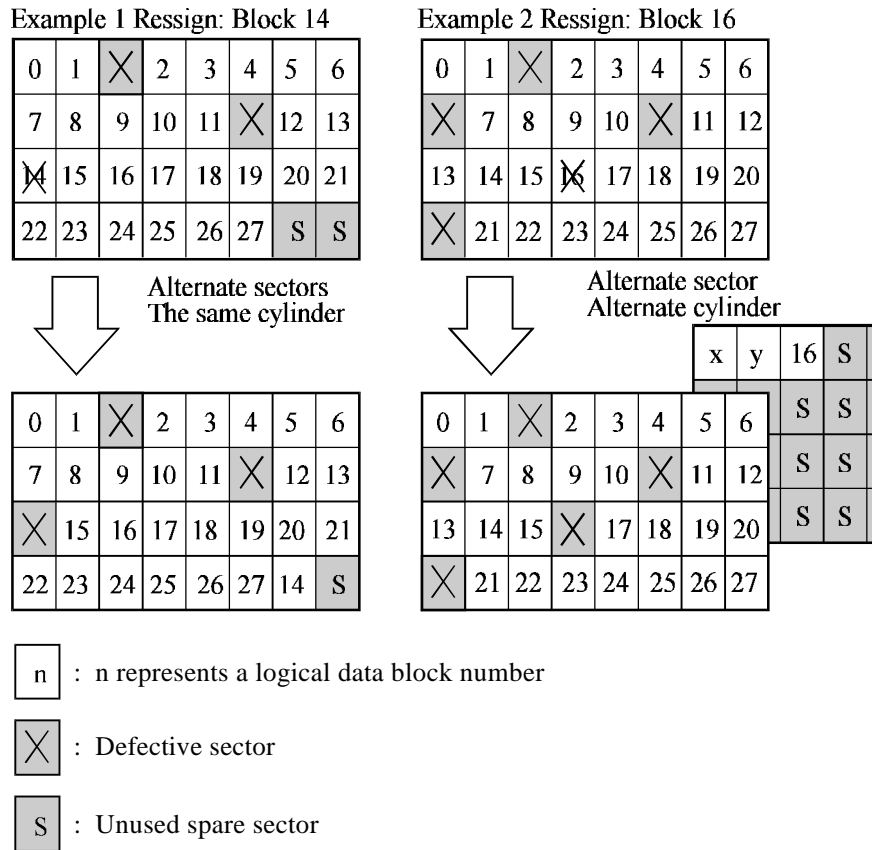


Figure 3.8 Alternate block allocation by REASSIGN BLOCKS command

(3) Automatic alternate block allocation

If the ARRE flag in the MODE SELECT parameter permits the automatic alternate block allocation, the IDD automatically executes the alternate block allocation and data duplication on the defective data block detected during the READ EXTENDED command. This allocation method is the same as with the REASSIGN BLOCKS command (alternate sector treatment).

IMPORTANT

Automatic alternate block allocation is made only once during the execution of one command. If second defective block is detected, the alternate block assignment processing for the first defective block is executed but the alternate block assignment processing for the second one is not executed and the command being executed terminates. However, the initiator can recover the twice error by issuing the same command again.

When an error is detected in a data block in the data area, recovery data is rewritten and verified in automatic alternate block allocation during the execution of the READ or READ EXTENDED command. Alternate block allocation will not be made for the data block if recovery is successful.

Example: Even if the data error which is recoverable by the WRITE LONG command is simulated, automatic alternate block allocation will not be made for the data block.

CHAPTER 4 INSTALLATION REQUIREMENTS

- 4.1 Mounting Requirements**
- 4.2 Power Supply Requirements**
- 4.3 Connection Requirements**

This chapter describes the environmental, mounting, power supply, and connection requirements.

4.1 Mounting Requirements

4.1.1 External dimensions

Figures 4.1 to 4.4 show the external dimensions of the IDD and the positions of the holes for the IDD mounting screws.

Note:

Dimensions are in mm.

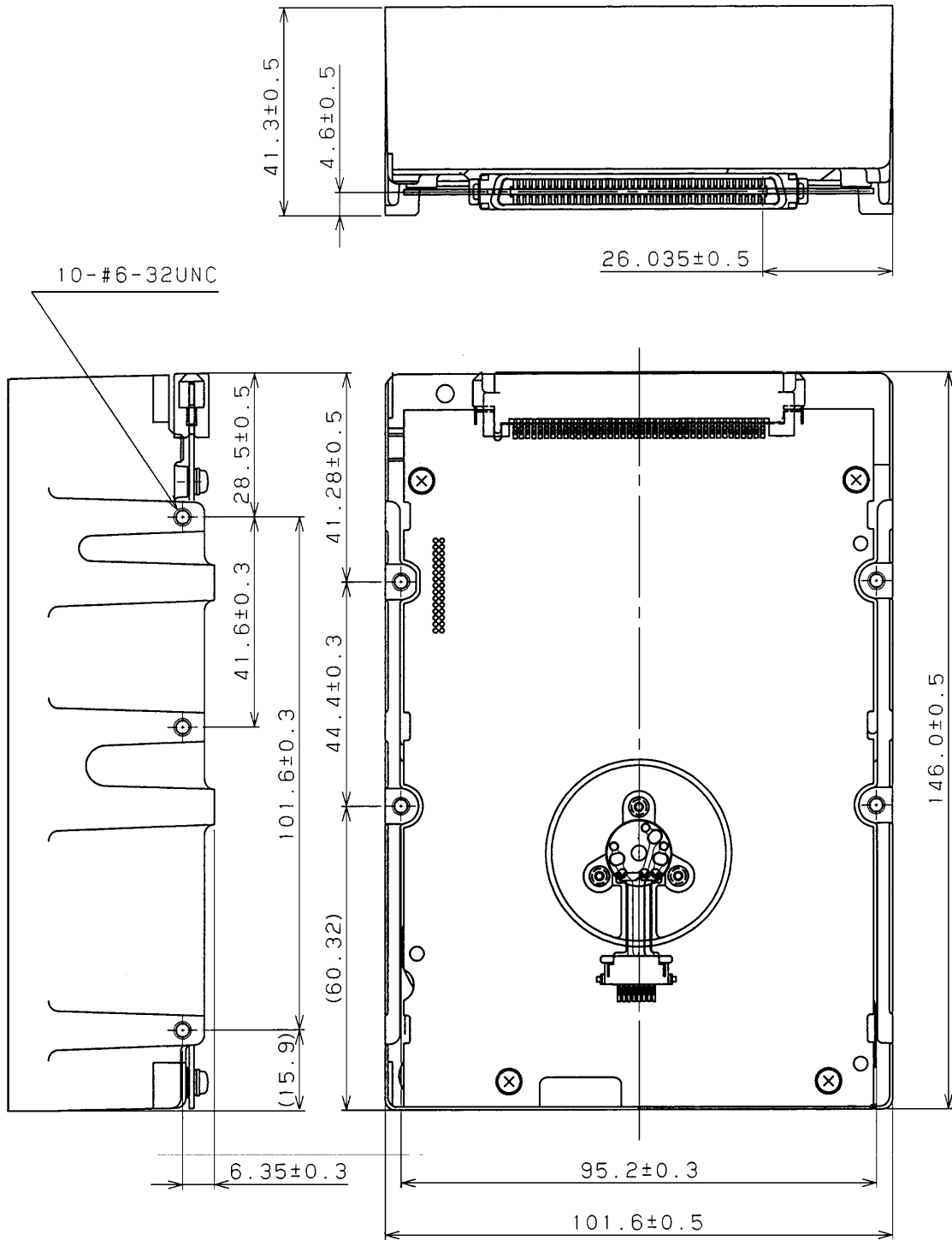


Figure 4.1 External dimensions (MAA31xxSC)

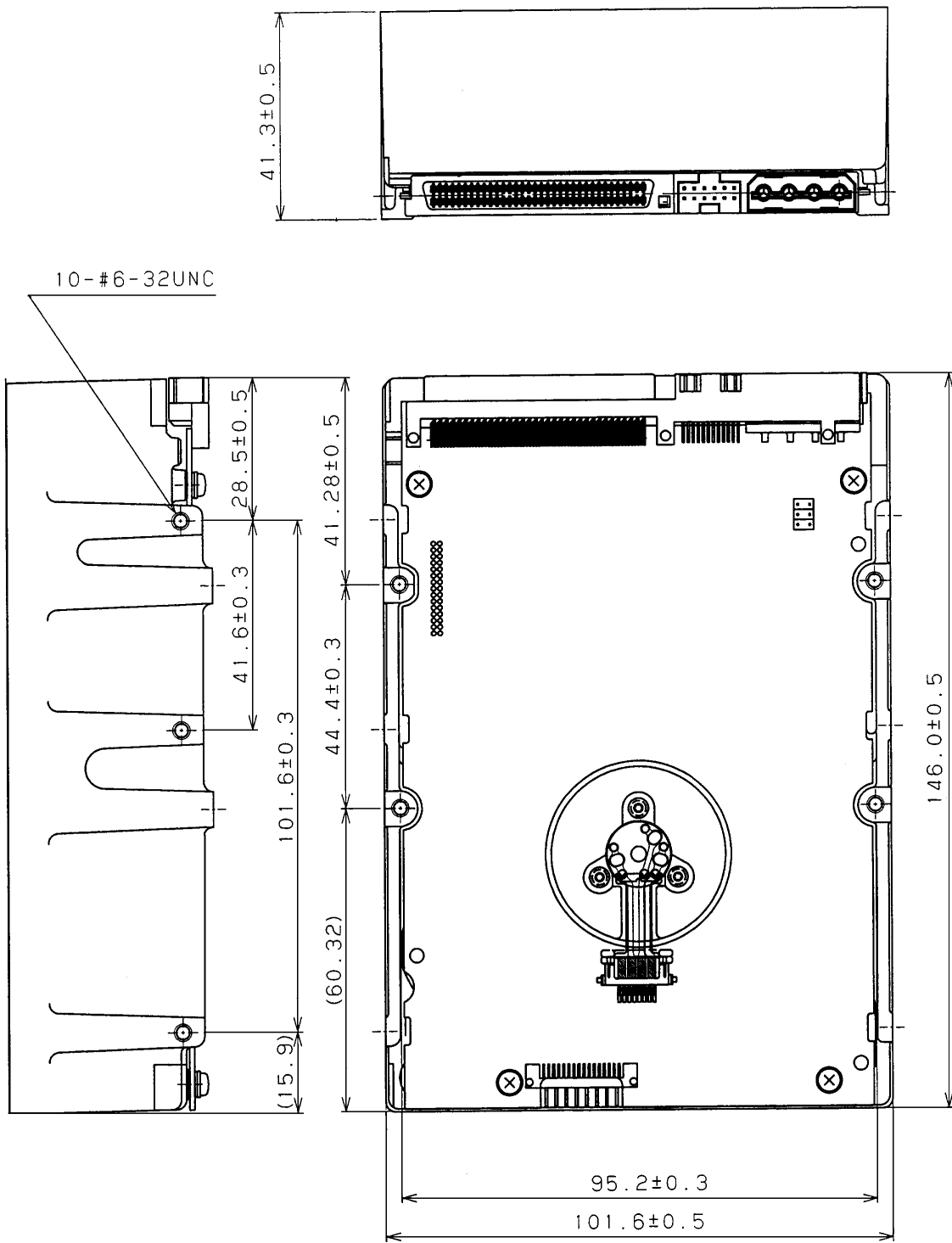


Figure 4.2 External dimensions (MAA31xxSP)

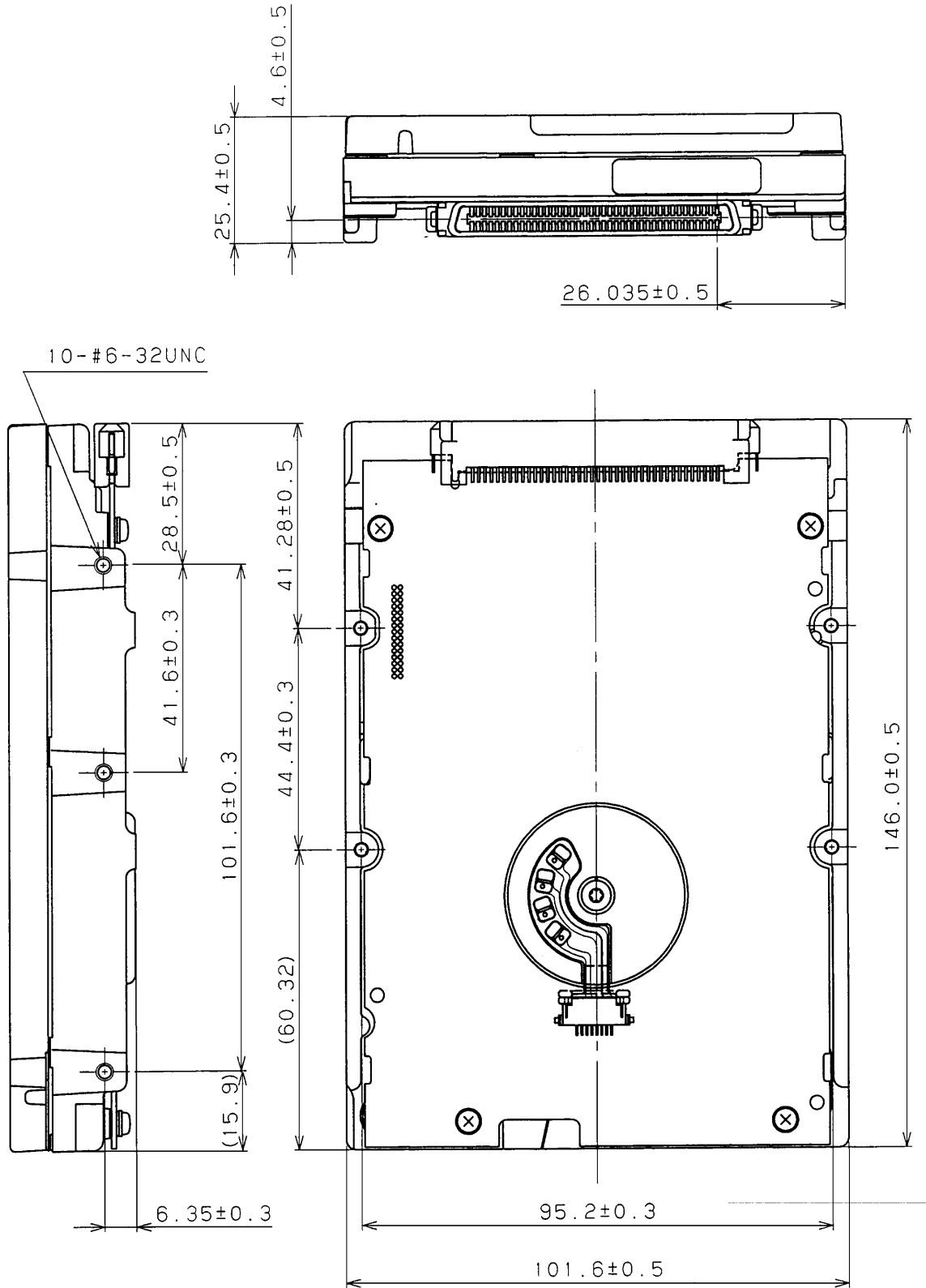


Figure 4.3 External dimensions (MAB30xxSC, MAC30xxSC)

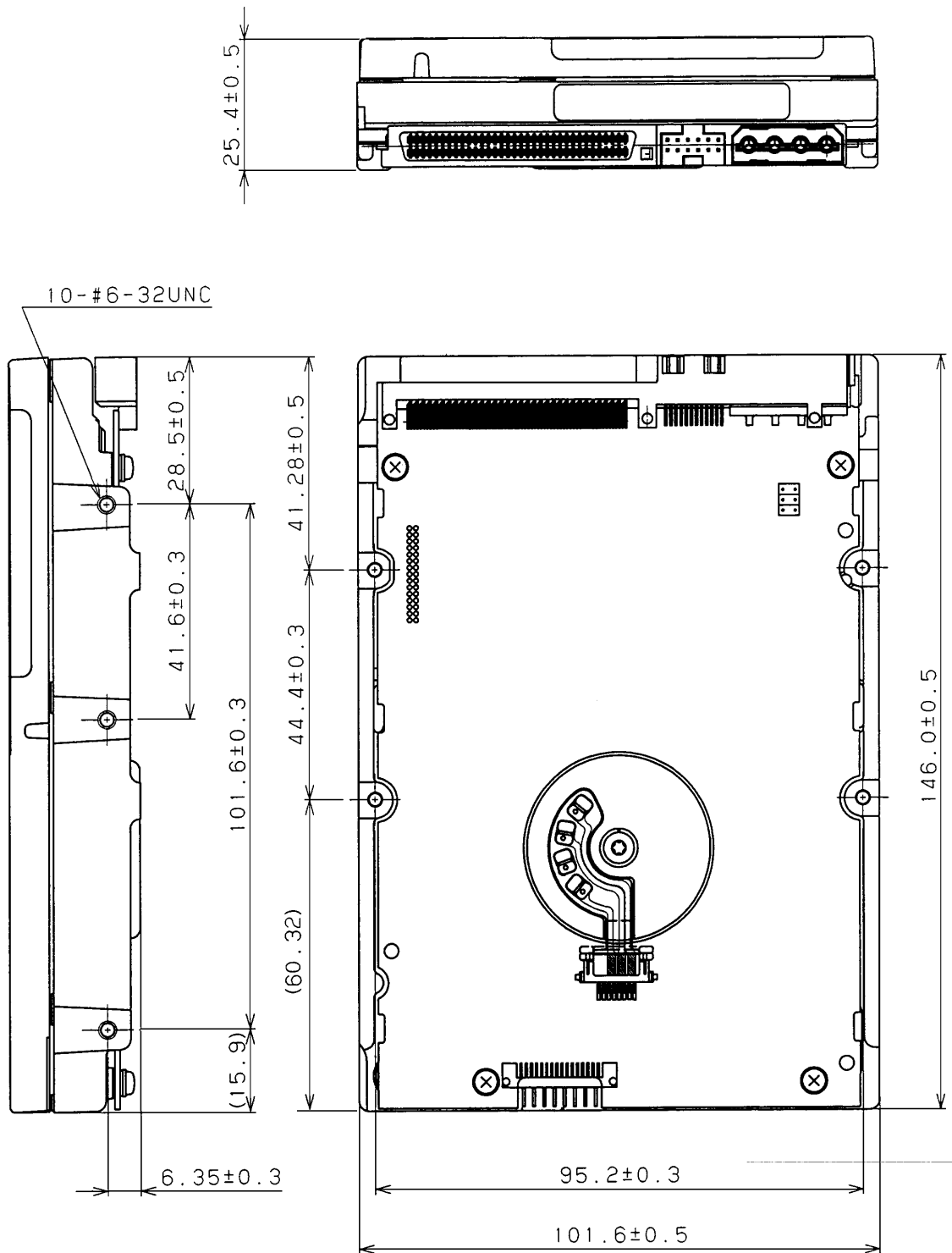


Figure 4.4 External dimensions (MAB30xxSP, MAC30xxSP)

4.1.2 Mounting

The permissible orientations of the IDD are shown in Figure 4.5, and the tolerance of the angle is $\pm 5^\circ$ from the horizontal plane.

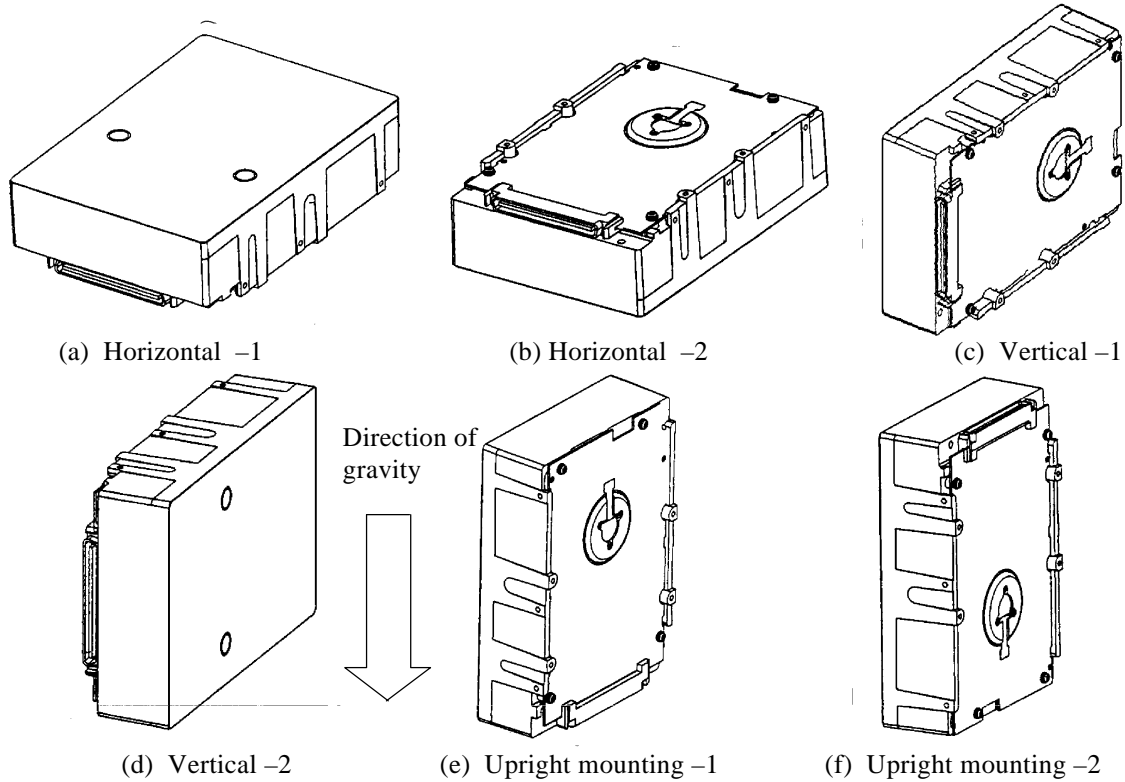


Figure 4.5 IDD orientation

4.1.3 Notes on mounting

(1) Mounting frame structure

To guarantee integrity of the IDD disk enclosure (DE) insulation once mounted on the frame inside the system, special attention must be given to the note below.

Note:

Generally, SG and FG are connected at one point in the system enclosure. Therefore, use following procedure to maintain the insulation when mounting the IDD.

- a) Use the frame with an embossed structure or the like to avoid contact between the DE base and FG. Mount the IDD with making a gap of 2.5 mm or more between the IDD and the frame of the system.
- b) As shown in Figure 4.6, the inward projection of the screw from the IDD frame wall at the corner must be 4 mm or less.

c) Tightening torque of screw must be secured with 6kg-cm.

Damage : To absolutely guarantee integrity of the IDD disk enclosure (DE) insulation once actually mounted to the frame inside the system, special attention must be given to the cautionary notes below.

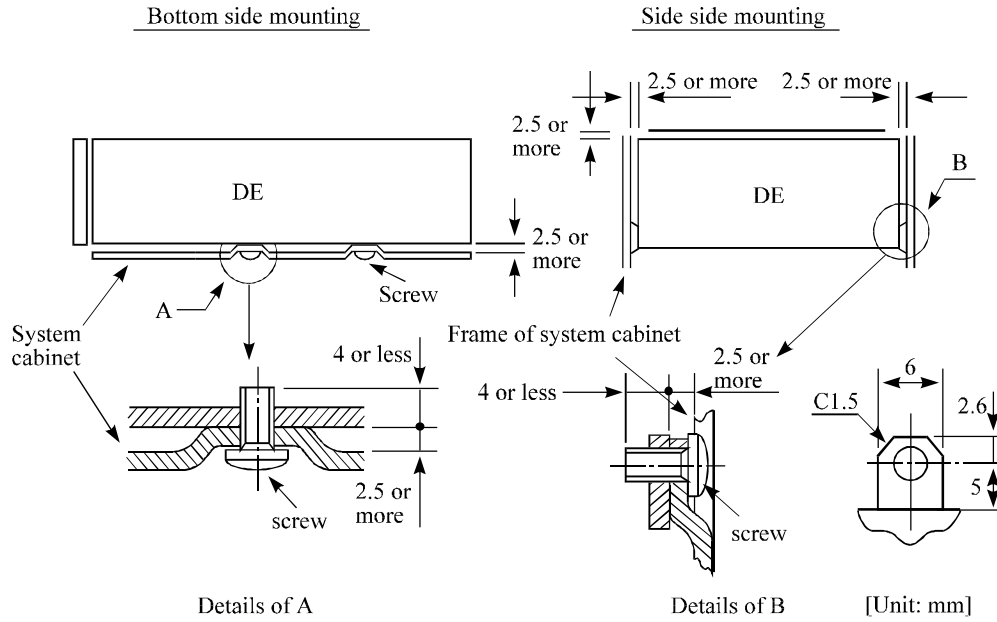


Figure 4.6 Mounting frame structure

(2) Limitation of side-mounting

Mount the side using the screw holes at both the ends as shown in Figure 4.7. Do not use the center hole.

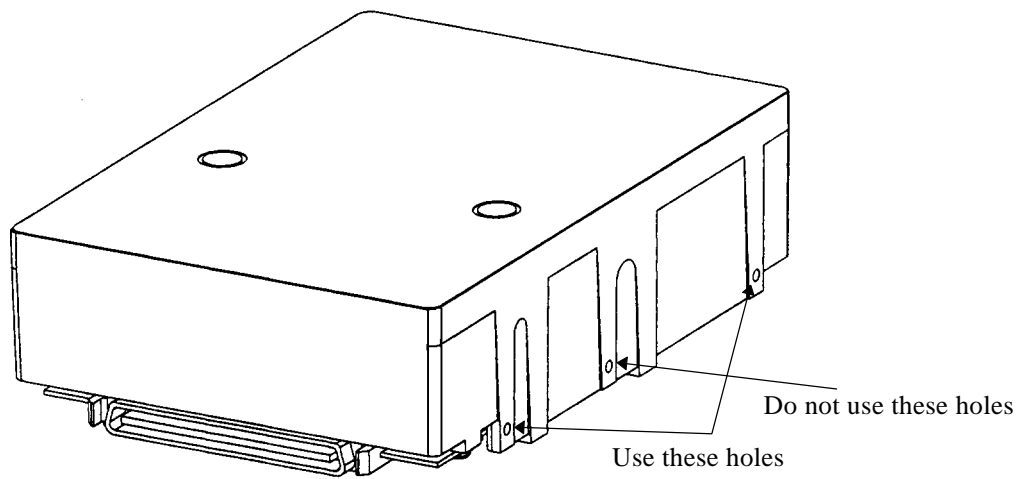


Figure 4.7 Limitation of side-mounting

(3) Environmental temperature

Temperature condition at installed in a cabinet is indicated with ambient temperature measured 3 cm from the disk drive. At designing the system cabinet, consider following points.

- Make a suitable air flow so that the DE surface temperature does not exceed 55°C.



An air flow with an adequate wind velocity must be maintained to deal with much heat generated from the MAC30xxxx.

Reference value: An air flow with a wind velocity of more than 0.5 m/s is required in an environment at 40°C, and an air flow with a wind velocity of more than 1.0m/s in an environment at 45°C.

- Cool the PCA side especially with air circulation inside the cabinet. Confirm the cooling effect by measuring temperature of specific ICs and the DE. These measurement results should be within a criteria listed in Table 4.1.

Table 4.1 Surface temperature check point

No.	Measurement point	Criteria
1	Center of DE cover	55°C
2	Read channel LSI	83°C
3	VCM/SPM Driver	75°C
4	HDC	85°C

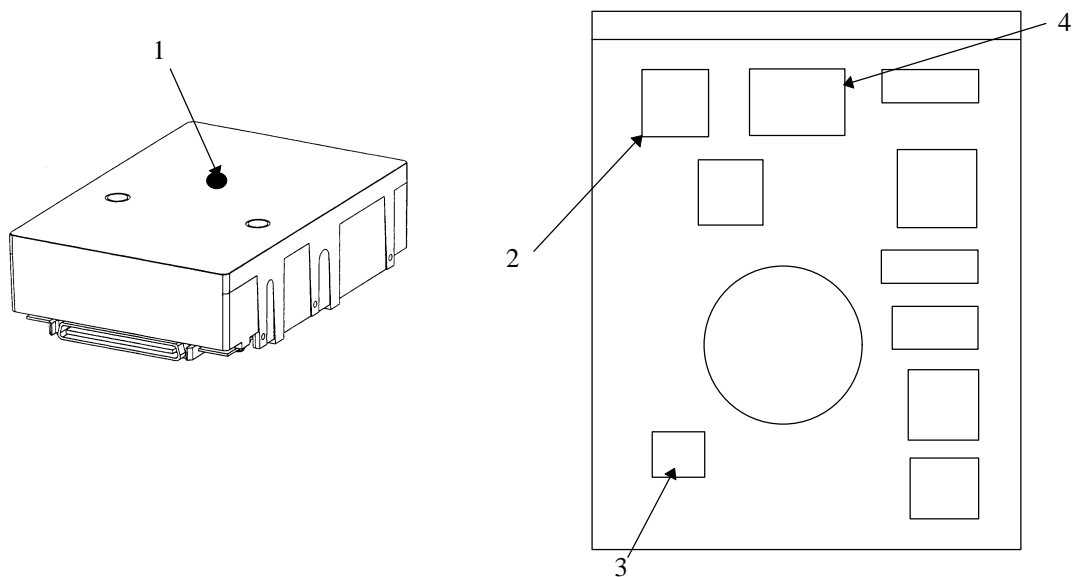


Figure 4.8 Surface temperature measurement points (MAA31xxxx/MAB30xxxx/ MAC30xxxx)

(4) Service clearance area

The service clearance area, or the sides which must allow access to the IDD for installation or maintenance, is shown in Figures 4.9.

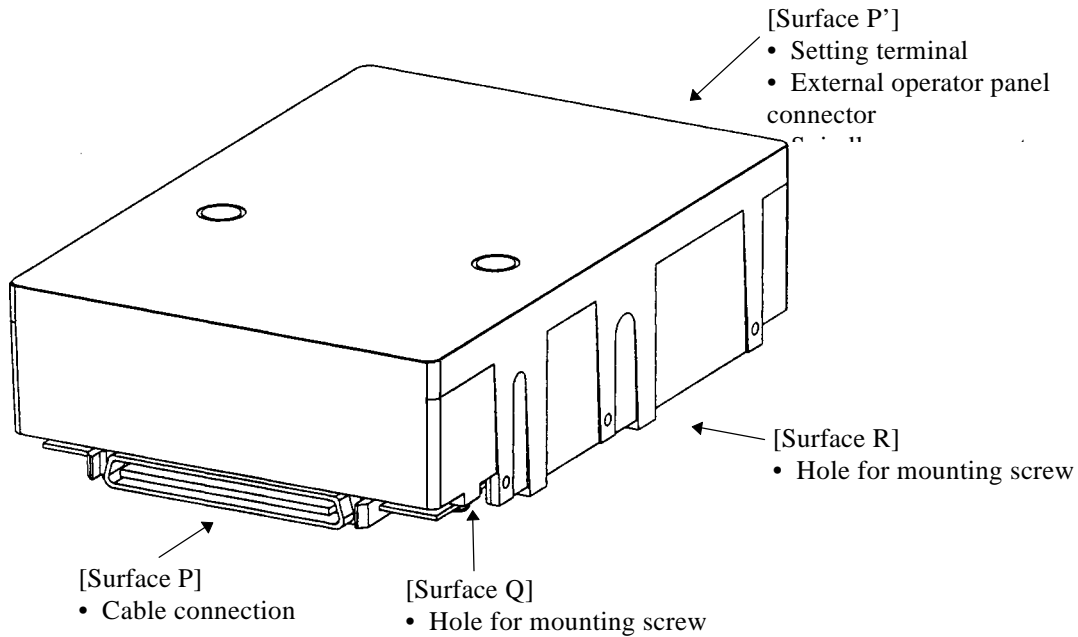


Figure 4.9 Service clearance area

(5) External magnetic field

The drive should not be installed near the ferromagnetic body like a speaker to avoid the influence of the external magnetic field.

(6) Leak magnetic flux

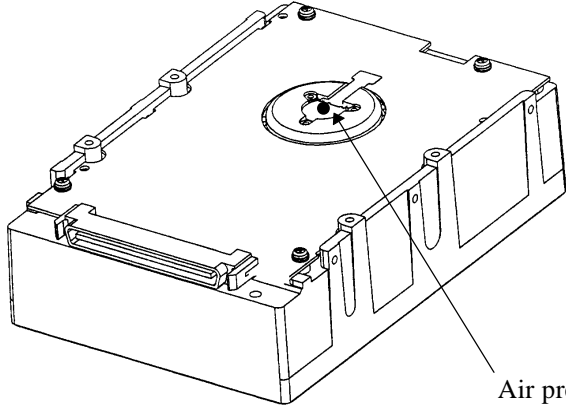
The IDD uses a high performance magnet to achieve a high speed seek. Therefore, a leak magnetic flux at surface of the IDD is large. Mount the IDD so that the leak magnetic flux does not affect to near equipment.

(7) Others

A hole or screw portion as shown in Figure 4.10 is used for adjusting air pressure balance between inside and outside the DE. Do not fill with a seal or label.

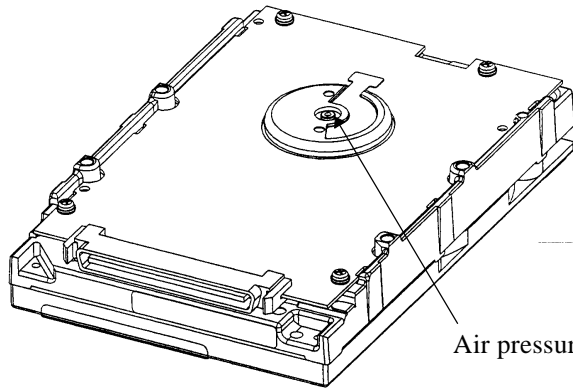
Seals on the DE prevent the DE inside from the dust. Do not damage or peel off labels.

MAA31xxxx



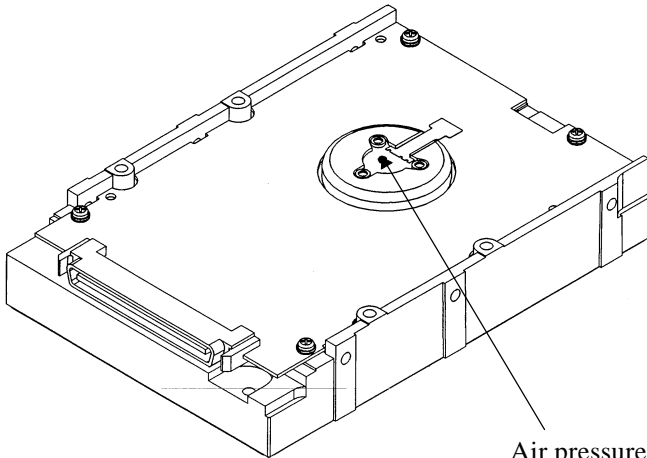
Air pressure adjustment hole

MAB30xxxx



Air pressure adjustment hole

MAC30xxxx



Air pressure adjustment hole

Figure 4.10 Air pressure adjustment hole

4.2 Power Supply Requirements

(1) Allowable input voltage and current

The power supply input voltage measured at the power supply connector pin of the IDD (receiving end) must satisfy the requirement given in Subsection 2.1.3. (For other requirements, see Items (4) and (5) below.)

(2) Current waveform (reference)

Figure 4.11 shows the waveform of +12 VDC.

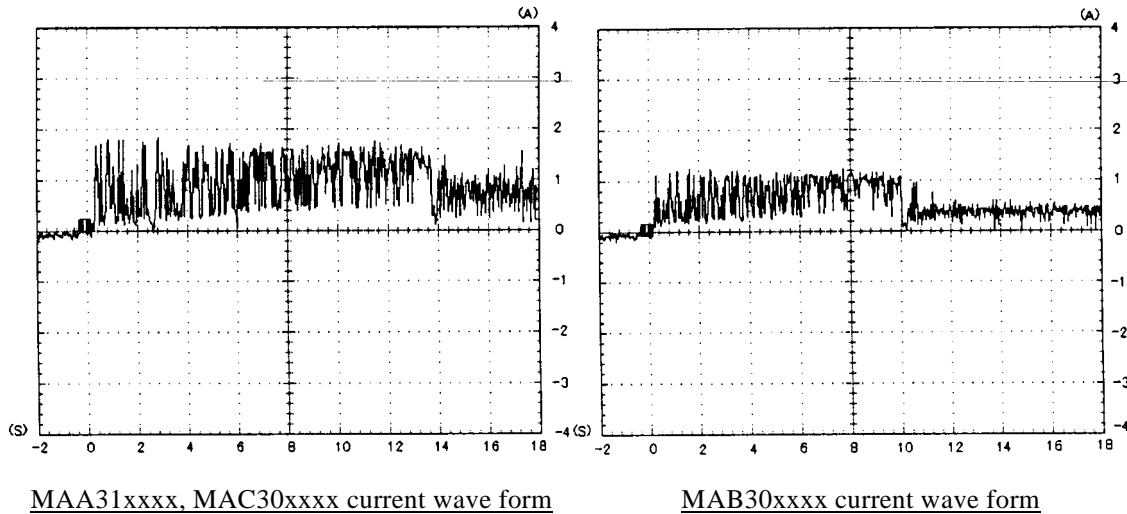


Figure 4.11 Current waveform (+12 VDC)

(3) Power on/off sequence

- a) The order of the power on/off sequence of +5 VDC and +12 VDC, supplied to the IDD, does not matter.
- b) In a system which uses the terminating resistor power supply signal (TRMPWR) on the SCSI bus, the requirements for +5 VDC given in Figure 4.12 must be satisfied between the IDD and at least one of the SCSI devices supplying power to that signal.

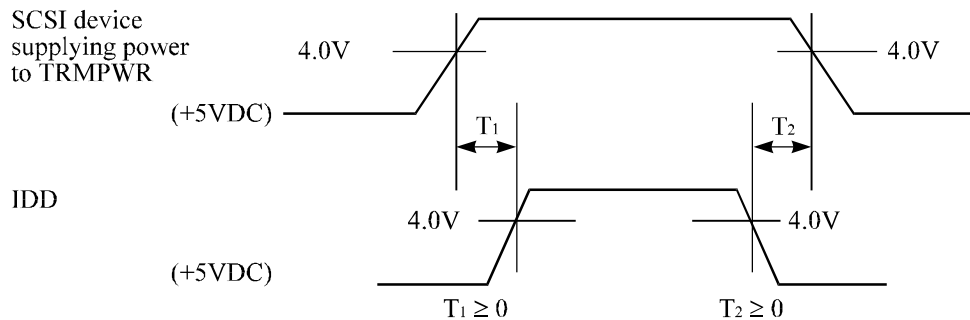


Figure 4.12 Power on/off sequence (1)

- c) In a system which does not use the terminating resistor power supply signal (TERMPWR) on the SCSI bus, the requirements for +5 VDC given in Figure 4.13 must be satisfied between the IDD and the SCSI device with the terminating resistor circuit.

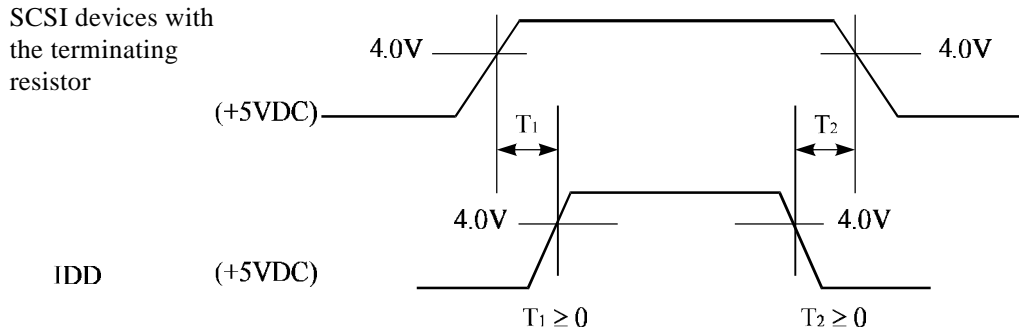


Figure 4.13 Power on/off sequence (2)

- d) Between the IDD and other SCSI devices on the SCSI bus, the +5 VDC power on/off sequence is as follows:

- In a system with its all SCSI devices designed to prevent noise from leaking to the SCSI bus when power is turned on or off, the power sequence does not matter if the requirement in b) or c) is satisfied.
- In a system containing an SCSI device which is not designed to prevent noise from leaking to the SCSI bus, the requirement given in Figure 4.14 must be satisfied between that SCSI device and the IDD.

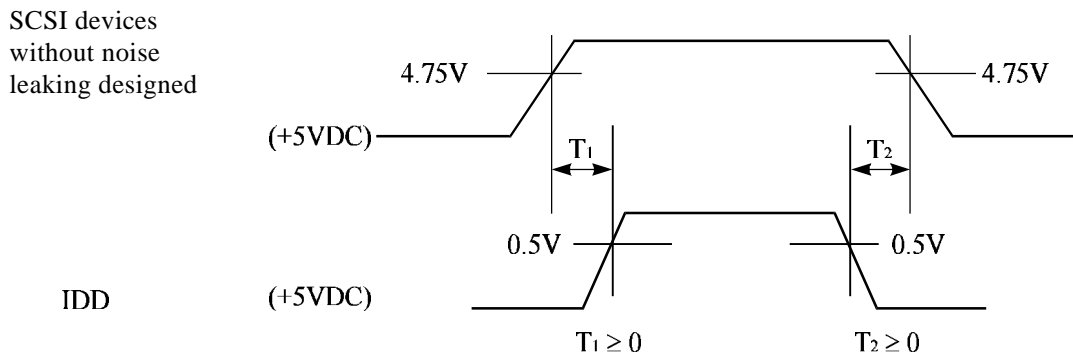


Figure 4.14 Power on/off sequence (3)

(4) Sequential starting of spindle motors

After power is turned on to the IDD, a large amount of current flows in the +12 VDC line when the spindle motor rotation starts. Therefore, if more than one IDD is used, the spindle motors should be started sequentially using one of the following procedures to prevent overload of the power supply unit. For how to set a spindle motor start control mode, see Subsection 5.3.2.

- a) Issue START/STOP commands at 20-second intervals to start the spindle motors. For details of this command specification, refer to SCSI Logical Interface Specifications.
- b) Turn on the +12 VDC power in the power supply unit at 20-second intervals to start the spindle motors sequentially.

(5) Power supply to SCSI terminating resistor

If power for the terminating resistor is supplied from the IDD to other SCSI devices through the SCSI bus, the current-carrying capacity of the +5 VDC power supply line to the IDD must be designed with considering of an increase of up to 200 mA.

A method of power supply to the terminating resistor is selected with a setting terminal on the IDD. See Subsection 5.3.2 for this selection.

For the electrical condition of supplying power to the terminating resistor, refer to Subsection 1.4.2 in SCSI Physical Interface Specifications.

(6) Noise filter

To eliminate AC line noise, a noise filter should be installed at the AC input terminal on the IDD power supply unit. The specification of this noise filter is as follows:

- Attenuation: 40 dB or more at 10 MHz
- Circuit construction: T-configuration as shown in Figure 4.15 is recommended.

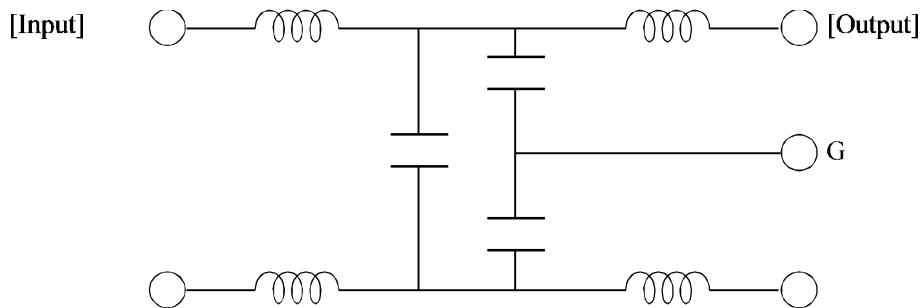


Figure 4.15 AC noise filter (recommended)

4.3 Connection Requirements

4.3.1 Single-ended 16-bit SCSI model (MAA31xxSP, MAB30xxSP, MAC30xxSP)

(1) Connectors

Figures 4.16 show the locations of connectors and terminals on the single-ended 16-bit SCSI model.

- Power supply connector
- SCSI connector
- External operator panel connector

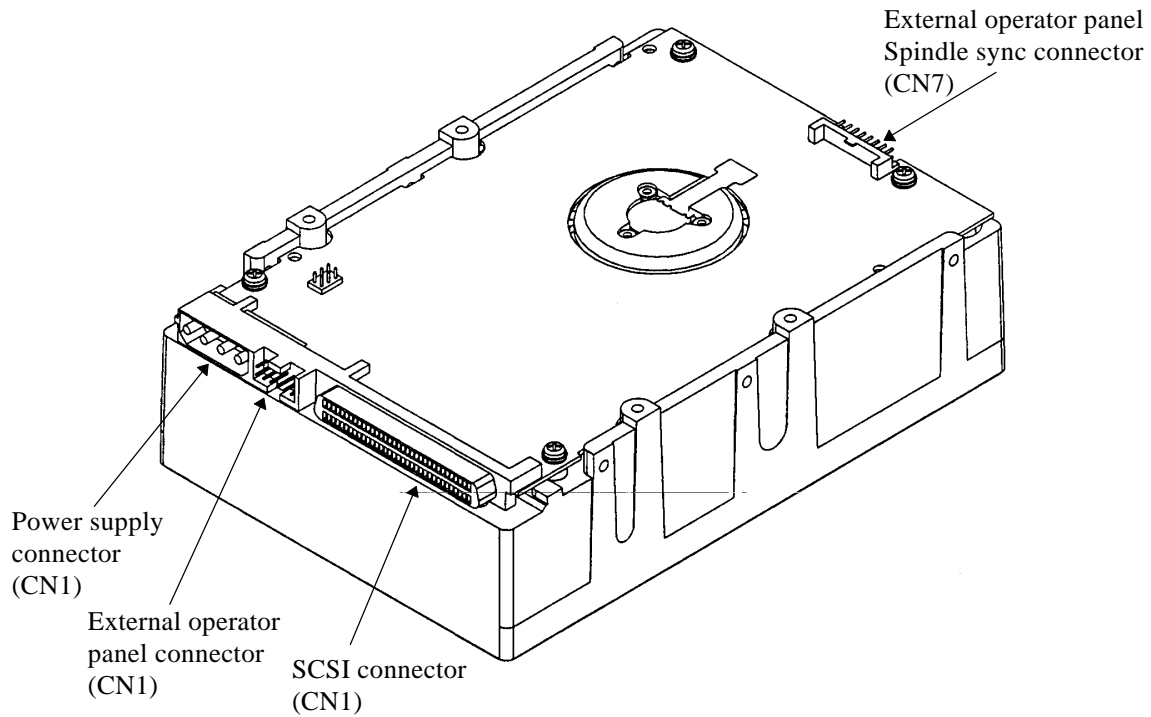


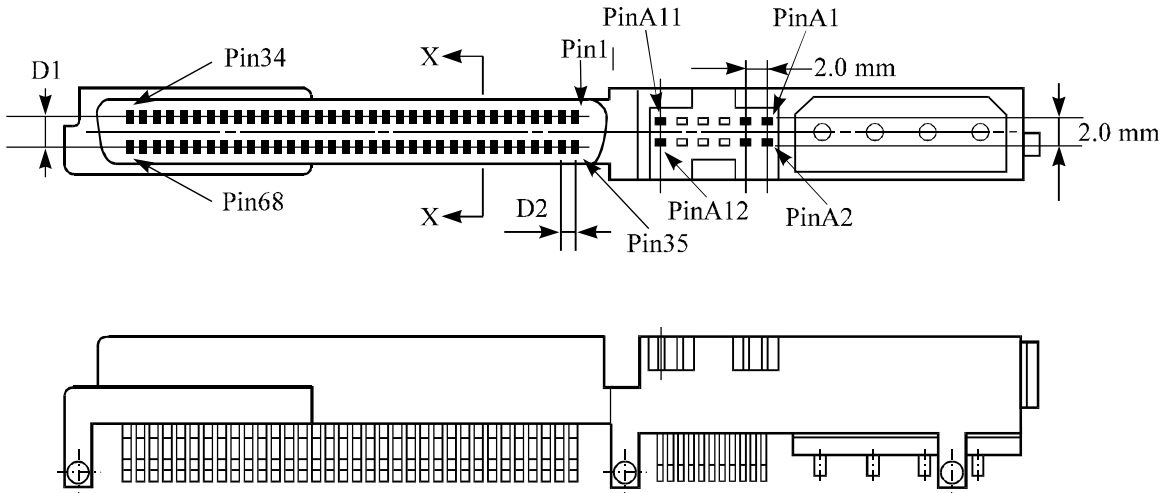
Figure 4.16 Connectors and terminals location (single-ended 16-bit SCSI)

(2) SCSI connector and power supply connector

a. 16-bit SCSI

The connector for the SCSI bus is an unshielded P connector conforming to SCSI-3 type which has two 34-pin rows spaced 1.27 mm (0.05 inch) apart. Figure 4.17 shows the SCSI connector. See Section C3 in Appendix C for the signal assignments on the SCSI connector.

For details on the physical/electrical requirements of the interface signals, refer to Sections 1.3 and 1.4 in the SCSI Physical Interface Specifications.



Symbol	mm	Inch	Remarks
D1	2.54	0.100	
D2	1.27	0.050	

The tolerance is ± 0.127 mm (0.005 inch) unless otherwise

Figure 4.17 16-bit SCSI interface connector

b. Power supply connector

Figure 4.18 shows the shape and the terminal arrangement of the output connector of DC power supply.

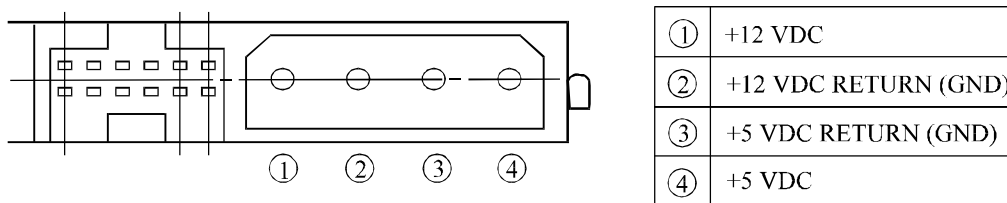


Figure 4.18 Power supply connector (16-bit SCSI model)

(3) SG terminal

The IDD is not provided with an SG terminal (fasten tab) for DC grounding. Therefore, when connecting SG and FG in the system, use the +5 VDC RETURN (ground) inside the power supply connector as the SG on the power supply side.

(4) Connector for external operator panel

- Connector for 16-bit SCSI external operator panel

CN1 provides connector for the external operator panel other than the SCSI bus as shown in Figure 4.19. Also, a connector for the external operator panel are provided on the IDD as shown in Figure 4.20. This allows connection of an external LED on the front panel, and an SCSI ID setting switch. For the recommended circuit of the external operator panel, see Subsection 4.3.5.

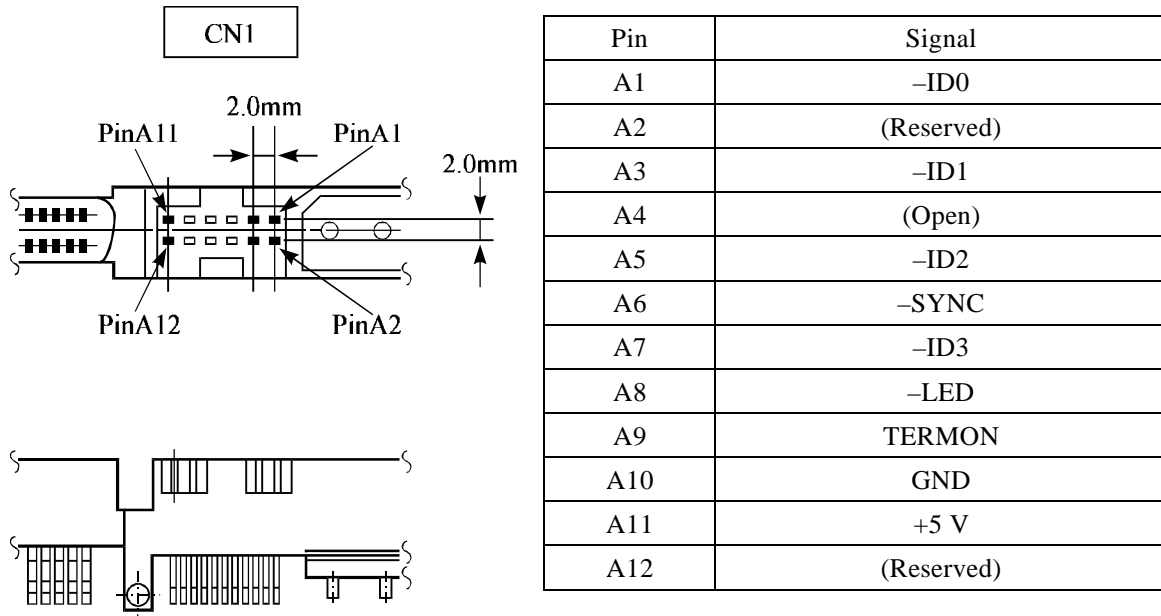


Figure 4.19 External operator panel connector (CN1)

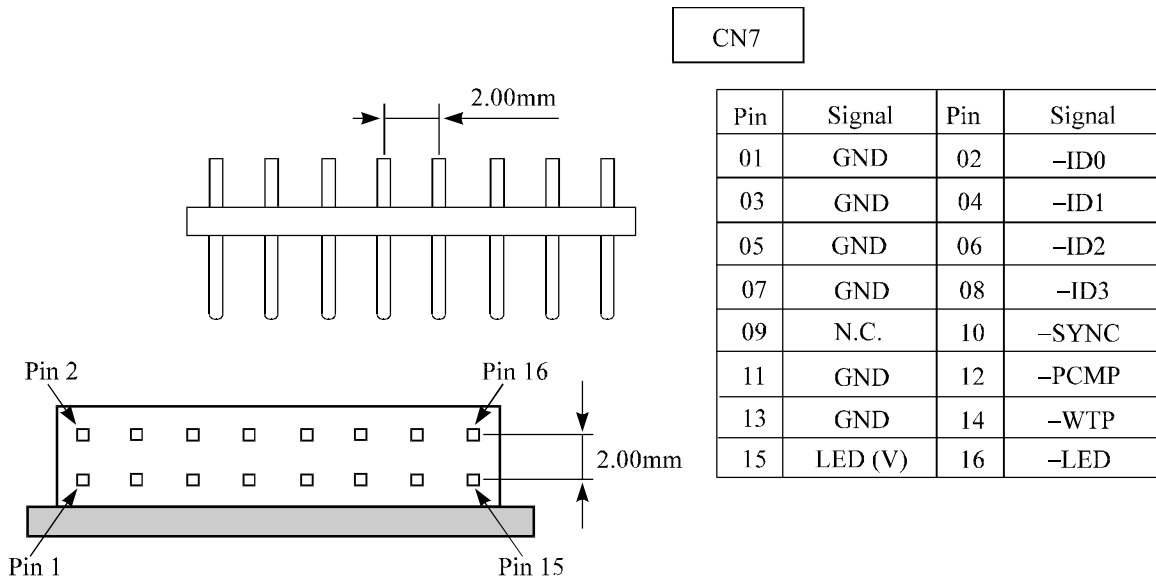


Figure 4.20 External operator panel connector (CN7)

(5) External operator panel connector Signals

a. 16-bit SCSI -ID3, -ID2, -ID1, -ID0: Input signals

These signals are used for providing switches to set the SCSI ID of the IDD externally. Figure 4.21 shows the electrical requirements. For the recommended circuit examples, see Subsection 4.3.5.

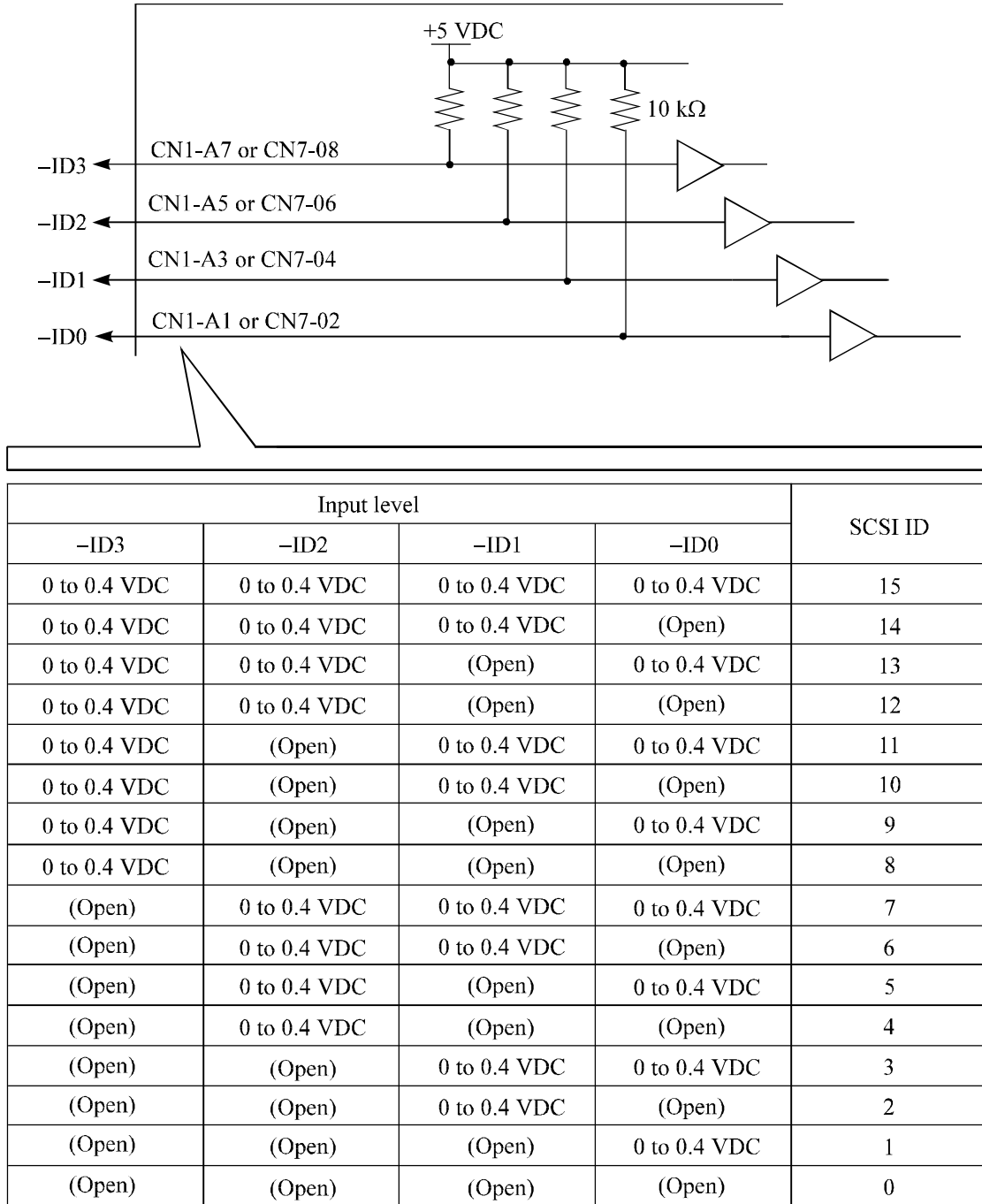


Figure 4.21 16-bit SCSI ID external input

b. -LED and LED (V): Output signals

These signals actuate the external LED as same as LED on the front panel of the disk drive. The electrical requirements are given in Figure 4.22.

Notes:

1. The external LED is identical in indication to the LED on the front of the IDD. The meaning of indication can be selected with the CHANGE DEFINITION command. For details of command, refer to SCSI Logical Interface Specifications.
2. Any load other than the external LED (see Subsection 4.3.5) should not be connected to the LED (V) and -LED terminals.

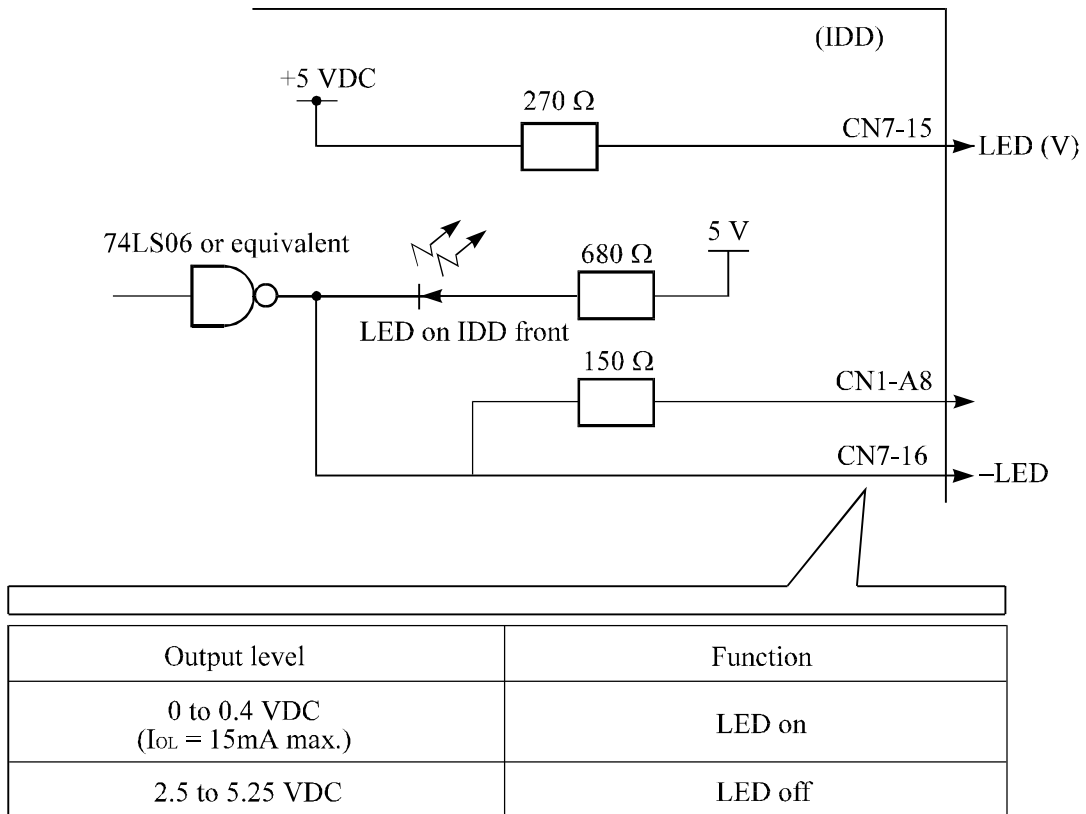


Figure 4.22 Output signal for external LED

c. -SYNC (-Spindle sync): Input/output signal

The pin CN1-A6, or CN7-10 inputs or outputs the signal for rotational synchronization when the IDD carries out rotational synchronization.

- 1) Outputs the master signal for rotational synchronization when the IDD is the master of rotational synchronization.

- 2) Inputs the master signal when the IDD carries out rotational synchronization with the external master signal.
This signal is pulled up with 3 kΩ resistor internally, it is necessary to connect the external terminating resistor.

For details of spindle synchronization function , refer to Section 3.1, in the SCSI Logical Interface Specifications.



Make the CN1-A6 pin or CN7-10 pin open when not having the IDD carry out spindle synchronization.

- d. –DISCON (–disable terminator connection)/TERMON (terminator on): Input signal

The CN1-A9 (TERMON) or CN6-06 (–DISCON) pin setting specifies whether to operate the terminating resistor built-in to the IDD. Table 4.2 shows the electrical requirements.

See Subsection 5.4.4 for the requirements for terminating resistor operation.

Table 4.2 External inputs for operating terminating resistor (16-bit single-ended type)

Input level	Function
0 to 0.4 VDC	The terminating resistor operates.
(Open)	The terminating resistor does not operate.

Note:

When the external operator panel is connected to the CN1-A9 pin and the operation of the terminating resistor is set on the external operator panel, the corresponding CN6-06 pin must always be set to open.

See Subsection 5.3.3.

(6) Cable connection requirements

The requirements for cable connection between the IDD, host system, and power supply unit are given in Figure 4.23. Recommended components for connection are listed in Table 4.1.

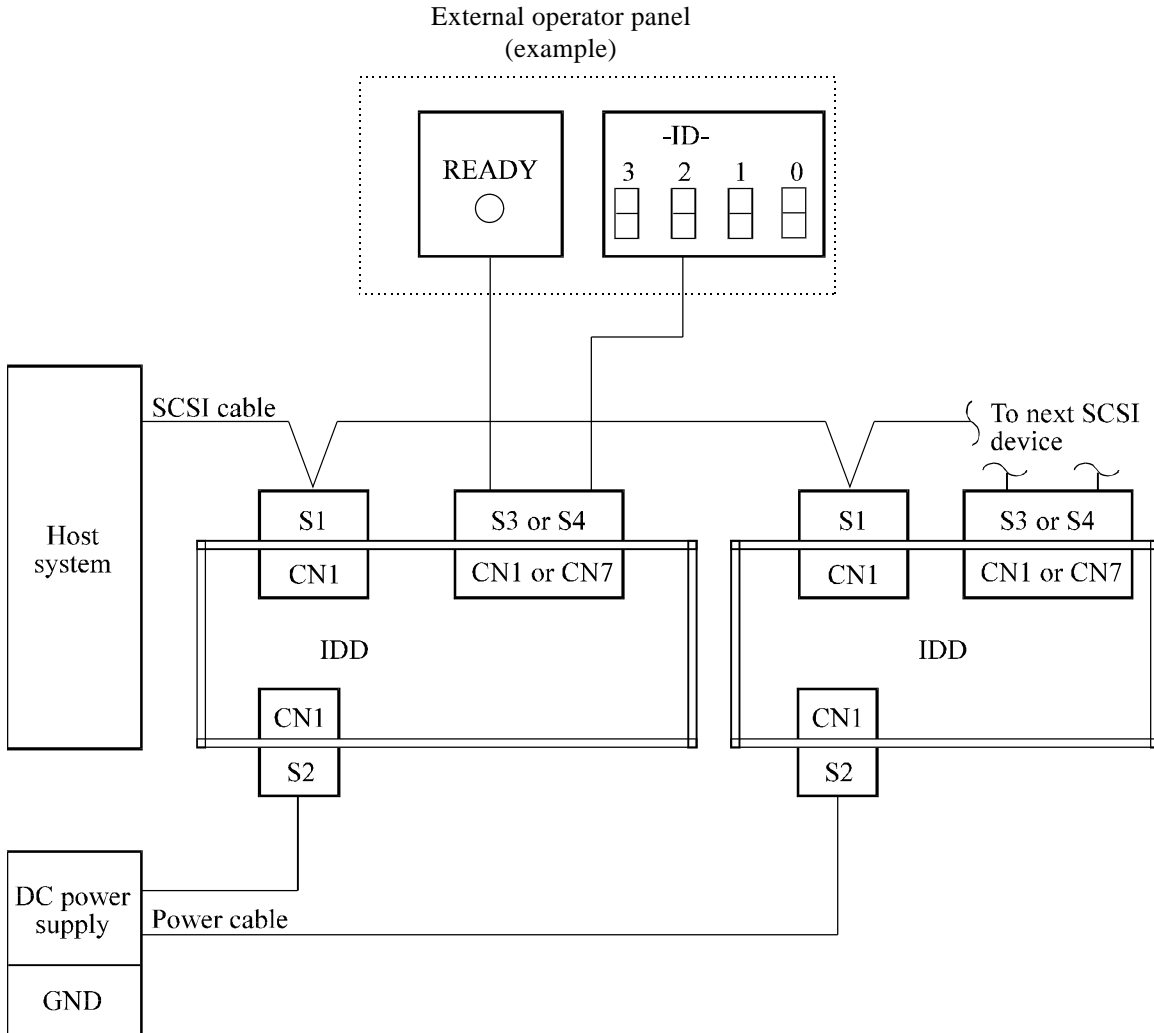


Figure 4.23 Cables connection (16-bit SCSI model)

4.3.2 SCA2 type SCSI model (MAA31xxSC, MAB30xxSC, MAC30xxSC)

(1) Connectors

Figure 4.24 shows the locations of connectors and terminals on the SCA2 type SCSI model. SCSI connector (including power supply connector)

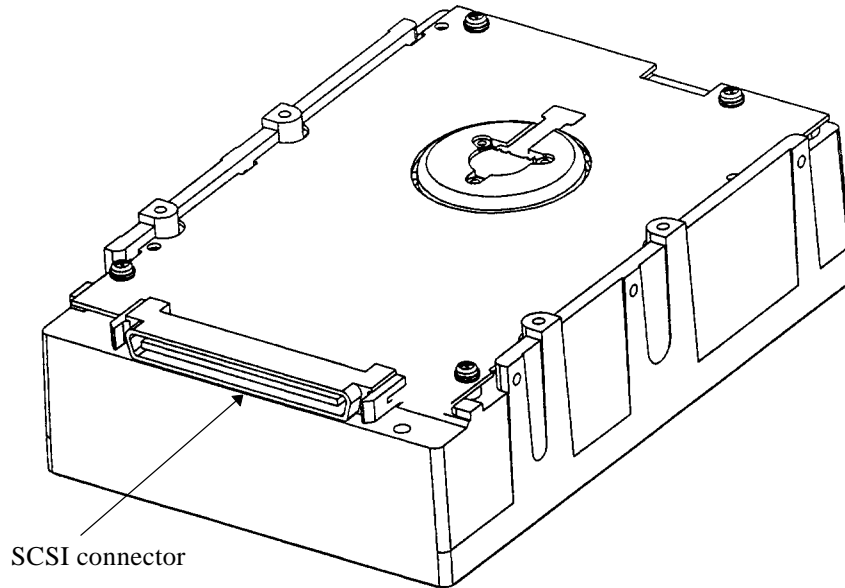


Figure 4.24 Connectors and terminals location of SCA2 type SCSI model

(2) SCSI connector and power supply connector

a. SCA type SCSI

The connector for the SCSI bus is an unshielded SCA-2 connector conforming to SCSI-3 type which has two 40-pin rows spaced 1.27 mm (0.05 inch) apart. Figure 4.25 shows the SCSI connector. See Section C.5 in Appendix C for signal assignments on the connector.

For details on the physical/electrical requirements of the interface signals, refer to Sections 1.3 and 1.4 in SCSI Physical Interface Specifications.

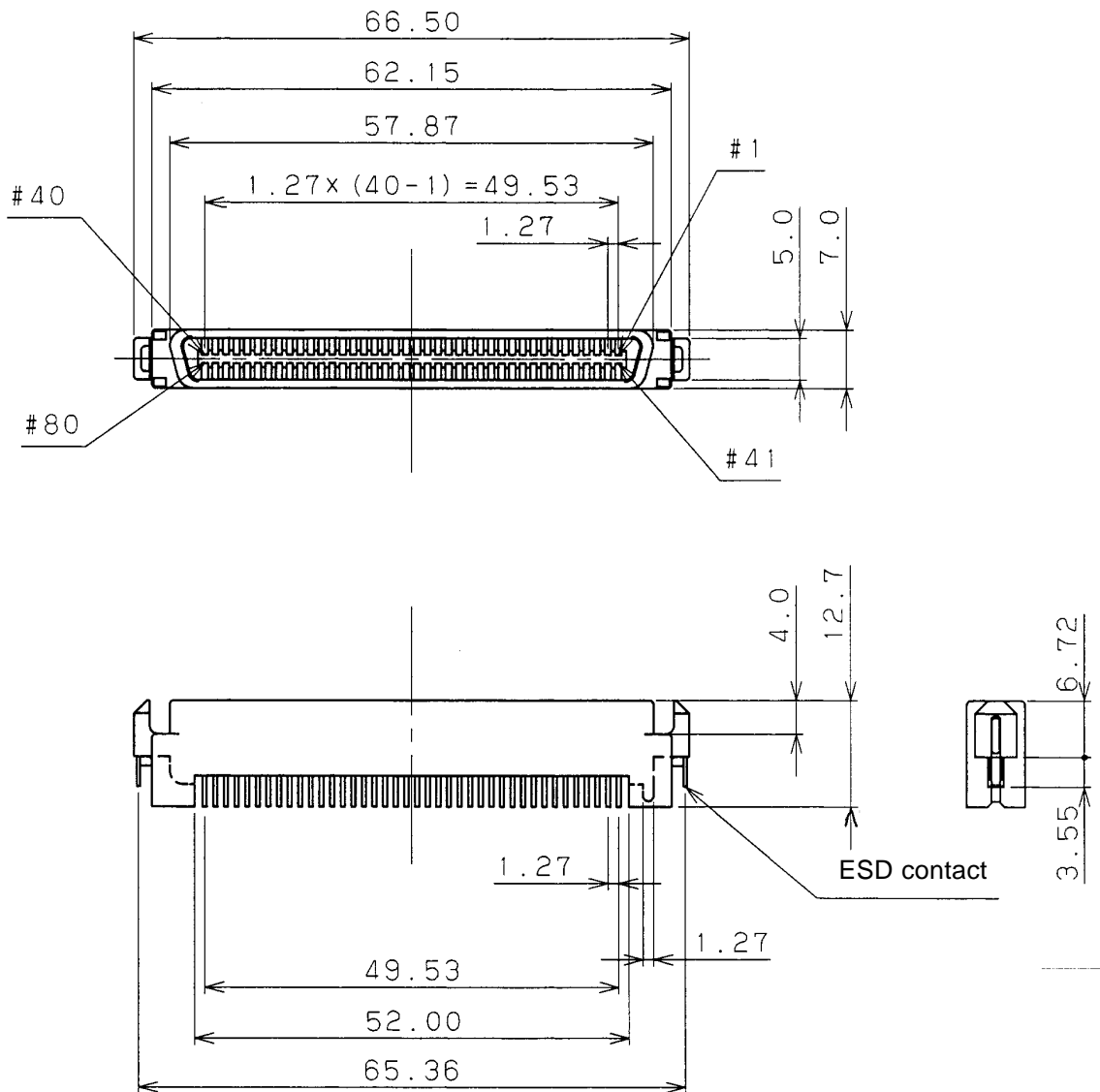


Figure 4.25 SCA2 type SCSI connector

4.3.3 Cable connector requirements

Table 4.3 lists the recommended components cable connection.

Table 4.3 Recommended components for connection

Applicable model		Name	Par number	Manufacturer	Reference (Figures 4.23 and 4.28)
MAx3xxxSP	SCSI cable (CN1)	Cable socket (closed-end type)	786090-7	AMP	S1
		Signal cable	—	—	
	Power supply cable (CN1)	Cable socket housing	1-480424-0	AMP	S2
		Contact	60619-4		
		Cable	60617-4		
	External operator panel (CN1)	Cable socket housing	FCN-723J012/2M	Fujitsu Limited	S3
		Contact	FCN-723J-G/AM	Fujitsu Limited	
		Cable	AWG26 to 34		
	External operator panel (CN7)	Cable socket housing	FCN-723J016/2M	Fujitsu Limited	S4
		Contact	FCN-723J-G/AM	Fujitsu Limited	
		Cable	AWG28		
	MAx3xxxSC	SCSI connector (CN1)	Connector	787311-1	AMP

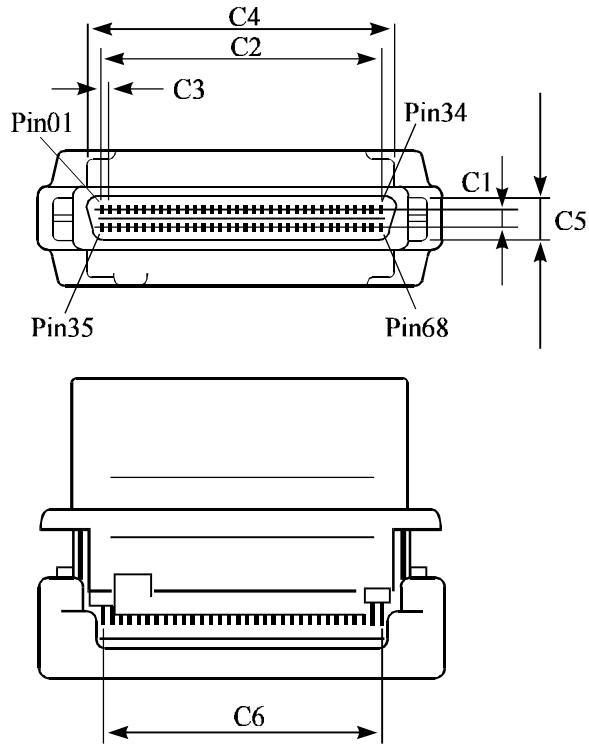
(1) SCSI cable

All SCSI devices on one bus are daisy-chained with an SCSI cable. A terminating resistor must be mounted in the SCSI device at each end of the SCSI cable.

Because an SCSI terminating resistor module has been mounted in the IDD of single-ended type SCSI at factory shipment, it must be set to not-connection when the IDD is not connected at either end of the SCSI cable. See Section 5.3 for details.

The maximum number of SCSI devices that can be connected to the SCSI bus is 16 for the 16-bit SCSI, including the host adapter, IDD, and other SCSI equipment.

For the 16-bit SCSI, the connector for the SCSI cable must be an unshielded 68-contact socket having 34-contact rows spaced 1.27 mm (0.05 inch) apart. (See Figure 4.26.)



<SCSI cable connector for 16-bit SCSI>

Symbol	16-bit SCSI		Remarks
	mm	inch	
C1	2.540	0.110	
C2	41.910	1.650	
C3	1.270	0.050	
C4	46.280	1.822	
C5	5.690	2.240	
C6	42.540	1.675	

Note:

The tolerance is ± 0.127 mm (0.005 inch) unless otherwise specified.

Figure 4.26 SCSI cable connector

The maximum length of the SCSI cable is as follow. If more than one SCSI device is connected, the total cable length must not exceed the value given in Table 4.2. The cable length between single-ended type SCSI devices must be more than 30 cm (recommended: 50 cm or more). Each system should decide the cable length between SCSI devices so that the total cable length of the system satisfies the specification.

Table 4.4 Total cable length of SCSI cable

Type	16-bit SCSI	
	Fast SCSI	Ultra SCSI
Single-ended	Up to 3 m [Up to 6 m is allowable for 5 MB/s or less]	Up to 3.0 m [4 SCSI devices having capacitance of 25 pF] Up to 1.5 m [5 to 8 SCSI devices having capacitance of 25 pF]

For the SCSI cables, the use of 25- and 34-pair twisted pair cables satisfying the requirements in Table 4.5 is recommended.

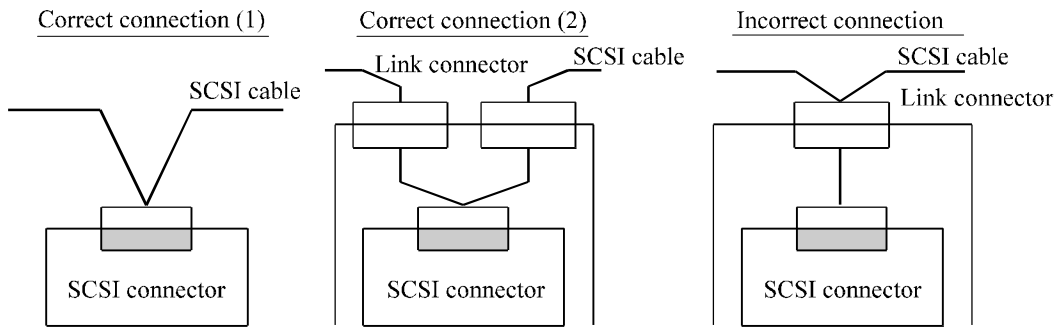
Table 4.5 SCSI cable requirements

Requirements	16-bit SCSI (34-pair)
Conductor size	30 AWG or bigger
Characteristic impedance	90 to 132 Ω
Twist pair cable condition	Pins n and n + 33

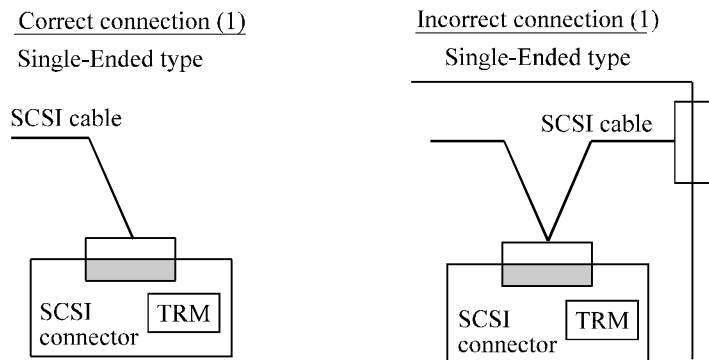
To maintain the transmission characteristics and reduce signal reflection, cables having different a characteristic impedance must not be used on the same SCSI bus.

When an SCSI device is connected to the SCSI cable at a point other than either end of the cable, connection to the SCSI connector must be at a branch point of the cable. If an SCSI device is connected to last SCSI device except when the cable has a terminating resistor. (See Figure 4.27.)

(a) Connection to a middle point of the cable



(b) Connection to end of the cable



TRM : SCSI terminating resistor

Figure 4.27 SCSI cable termination

(2) Power cable

IDDs must be star-connected to the DC power supply (one to one connection) to reduce the influence of load variations.

(3) DC ground

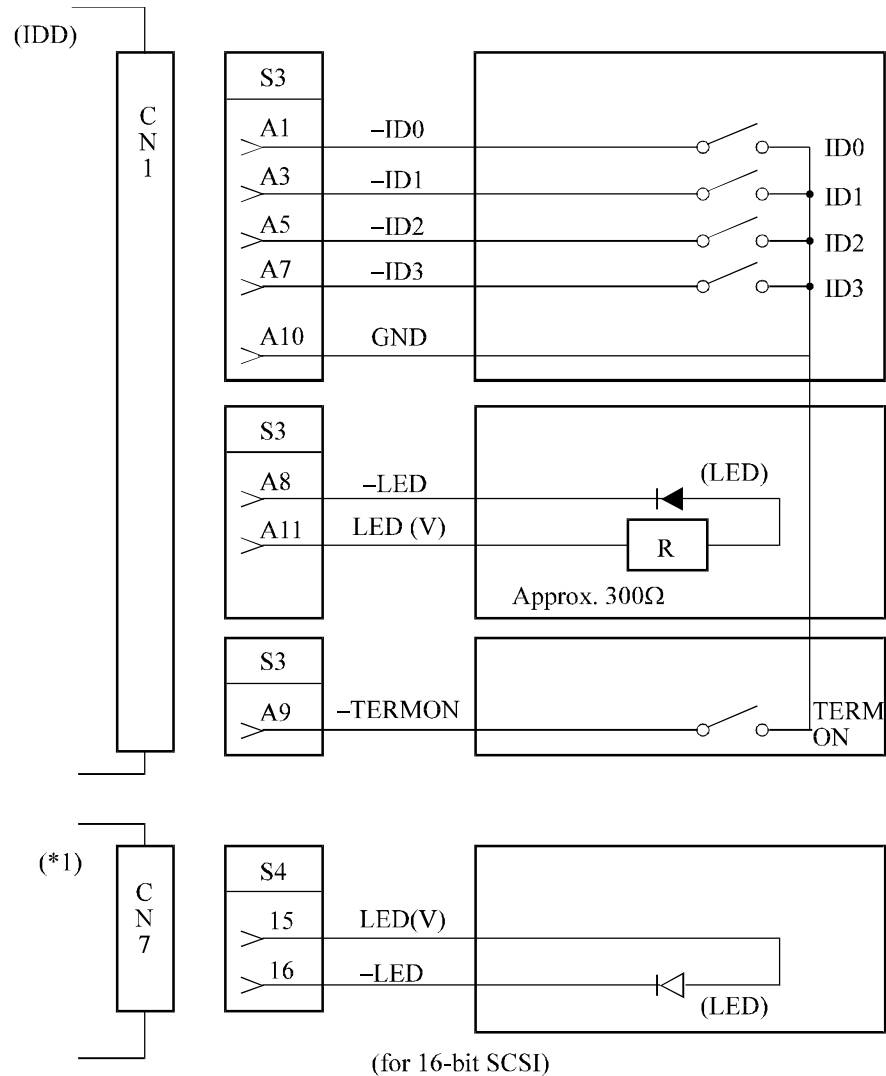
The DC ground cable must always be connected to the IDD because no fasten terminal dedicated to SG is provided with the IDD. Therefore, when SG and FG are connected in the system, it is necessary to connect SG and FG at the power supply or to connect SG of the power supply to FG of the system.

(4) External operator panel

The external operator panel is installed only when required for the system. When connection is not required, leave open the following pins in the external operator panel connector of the IDD : Pins 15, 16 and 01 pins 10 through 08 in CN7 and pins A1 through A12 in CN1.

4.3.4 External operator panel

A recommended circuit of the external operator panel is shown in Figure 4.28. Since the external operator panel is not provided as an option, this panel must be fabricated at the user site referring to the recommendation if necessary.



(*1) For connecting the external LED to CN7.

Figure 4.28 External operator panel circuit example (MAx3xxxSP)

Note:

Do not connect the external LED to both CN1 and CN7. Connect it to either of them.

CHAPTER 5 INSTALLATION

- | |
|--|
| <ul style="list-style-type: none">5.1 Notes on Handling Drives5.2 Connections5.3 Setting Terminals5.4 Mounting Drives5.5 Connecting Cables5.6 Confirming Operations after Installation and Preparation for Use5.7 Dismounting Drives |
|--|

This chapter describes the notes on handling drives, connections, setting switches and plugs, mounting drives, connecting cables, confirming drive operations after installation and preparation for use, and dismounting drives.

5.1 Notes on Handling Drives

(1) General notes

- a) Do not give the drive shocks or vibrations exceeding the value defined in the standard because it may cause critical damage to the drive. Especially be careful when unpacking.
- b) Do not leave the drive in a dirty or contaminated environment.
- c) Since static discharge may destroy the CMOS semiconductors in the drive, note the following after unpacking:
 - Use an antistatic mat and body grounding when handling the drive.
 - Hold the DE when handling the drive. Do not touch PCAs except for setting.

(2) Unpackaging

- a) Use a flat work area. Check that the "This Side Up" sign side is up. Handle the package on soft material such as a rubber mat, not on hard material such as a desk.
- b) Be careful not to give excess pressure to the internal unit when removing cushions.
- c) Be careful not to give excess pressure to the PCAs and interface connector when removing the drive from the antistatic bag.
- d) Do not remove the sealing label or cover of the DE and screws.

- (3) Installation
 - a) Do not attempt to connect or disconnect connections when power is on. The only pin settings that may be altered are pins 13, 14 (Write Protect) in CN7.
 - b) Do not move the drive when power is turned on or until the drive completely stops (for 30 seconds) after power is turned off.

- (4) Packaging
 - a) Store the drive in an antistatic vinyl bag with a desiccant (silica gel).
 - b) It is recommended to use the same cushions and packages as those at delivery. If those at delivery cannot be used, use a package with shock absorption so that the drive is free from direct shocks. In this case, fully protect the PCAs and interface connector so that they are not damaged.
 - c) Indicate "This Side Up" and "Handle With Care" on the outside of the package so that it is not turned over.

- (5) Delivery
 - a) When delivering the drive, provide packaging and do not turn it over.
 - b) Minimize the delivery distance after unpacking and avoid shocks and vibrations with cushions. For the carrying direction at delivery, use one of the mount allowable directions in Subsection 4.2.2 (vertical direction is recommended).

- (6) Storage
 - a) Provide vaporproof packaging for storage.
 - b) The storage environment must satisfy the requirements specified in Subsection 2.1.3 when the drive is not operating.
 - c) To prevent condensation, avoid sudden changes in temperature.

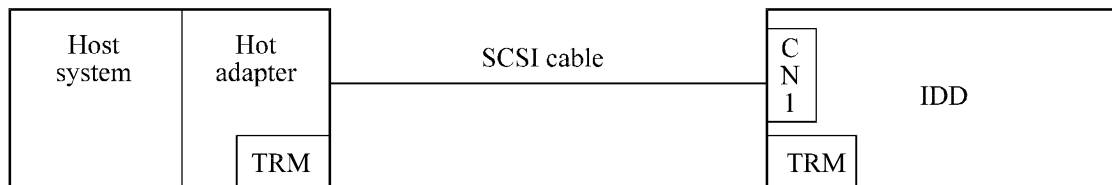
5.2 Connections

Figure 5.1 shows examples of connection modes between the host system and the IDD. For the 16-bit SCSI, up to 16 devices including the host adapter, IDD, and other SCSI devices can be connected to the SCSI bus in arbitrary combinations. Install a terminating resistor on the SCSI device connected to both ends of the SCSI cable.

See Section 4.4 for the cable connection requirements and power cable connections.

(1) Connecting one IDD

- Single-Ended type SCSI



(2) Connecting more than one IDD (single host)

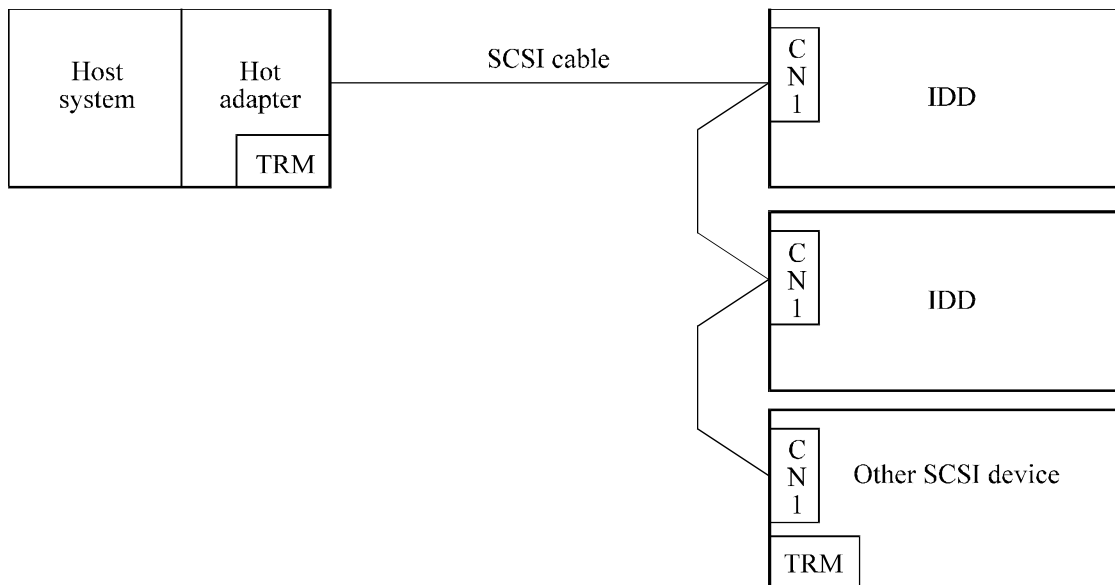


Figure 5.1 SCSI bus connections (1 of 2)

(3) Connecting more than one IDD (multi-host)

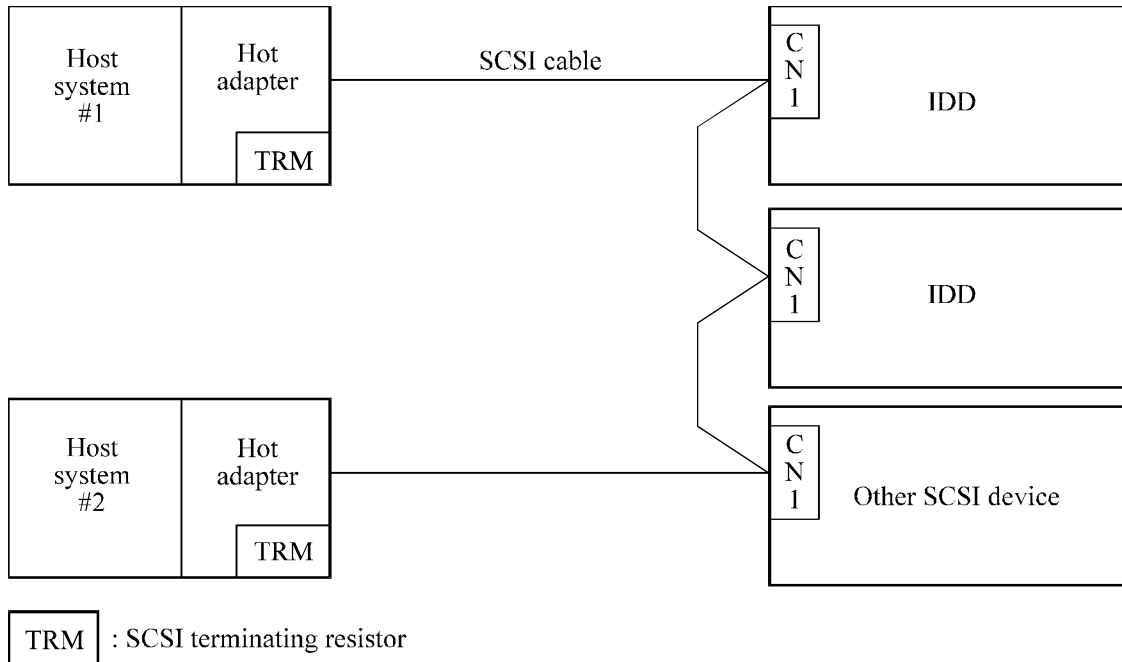


Figure 5.1 SCSI bus connections (2 of 2)

5.3 Setting Terminals

The user must set the following terminals and SCSI terminating resistor before installing the IDD in the system.

- Setting terminal: CN6, CN7

Figure 5.2 shows the setting terminal position of SP model. Figure 5.3 shows SP models for allocation and default settings.



1. *The user must not change the setting of terminals not described in this section. Do not change setting status set at factory shipment.*

2. *Do not change the setting of terminals except following setting pins during the power is turned on.*

- *Write protect*

MAx3xxxSP: CN7 13-14

3. *To short the setting terminal, use the short plug attached when the device is shipped from the factory.*

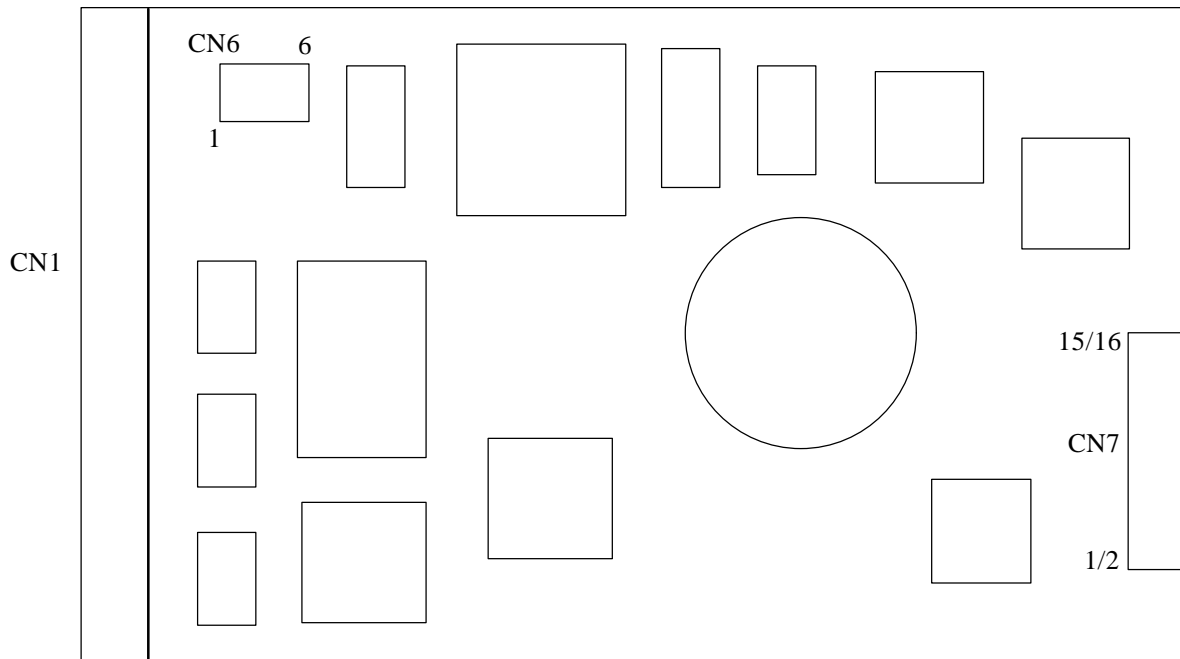
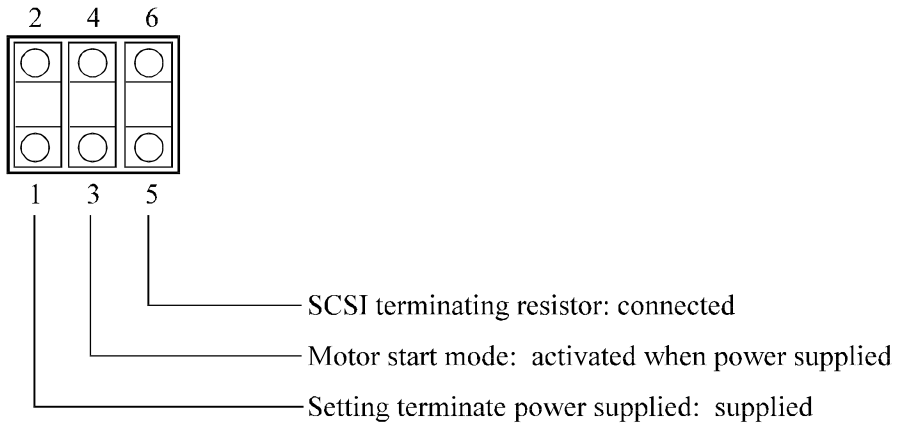


Figure 5.2 MAx3xxxSP setting terminals position

CN6



CN7

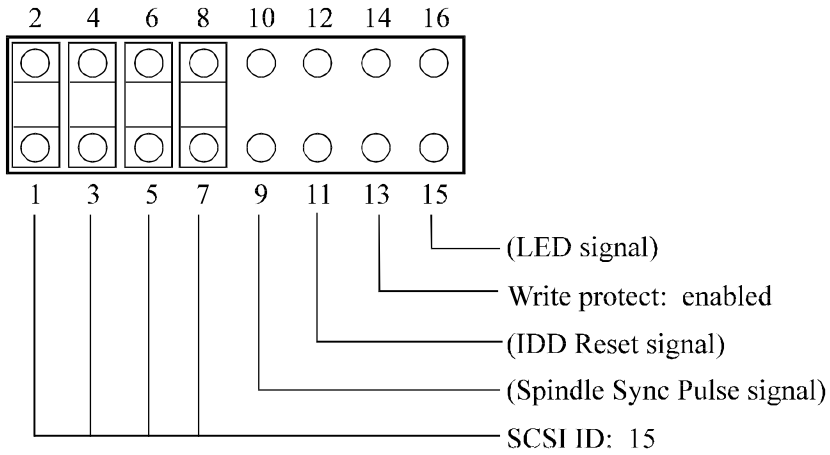


Figure 5.3 Setting terminals (MAx3xxxSP)

5.3.1 SCSI ID setting

- (1) SCA type 16-bit SCSI model (MAx3xxxSC)

There is no SCSI ID setting terminal for SCA type model. Set the SCSI ID using ID0, ID1, ID2, and ID3 signals on the SCSI interface connector (CN1).

- (2) Single-ended 16-bit SCSI model (MAx3xxxSP)

Table 5.1 shows the SCSI ID setting. Refer to Figures 5.2 and 5.3 for connector positioning and allocation.

IMPORTANT

When the SCSI ID is set using the external operator panel connector CN1, all pins listed in Table 5.1 should be open. If any of pins are shorted, unexpected SCSI ID is set.

Table 5.1 SCSI ID setting (single-ended 16-bit SCSI model: MAx3xxxSP)

SCSI ID	MAx3xxxSP (CN7)			
	5-6	3-4	1-2	5-6
0	Open	Open	Open	Open
1	Open	Open	Open	Short
2	Open	Open	Short	Open
3	Open	Open	Short	Short
4	Open	Short	Open	Open
5	Open	Short	Open	Short
6	Open	Short	Short	Open
7	Open	Short	Short	Short
8	Short	Open	Open	Open
9	Short	Open	Open	Short
10	Short	Open	Short	Open
11	Short	Open	Short	Short
12	Short	Short	Open	Open
13	Short	Short	Open	Short
14	Short	Short	Short	Open
15 (*1)	Short	Short	Short	Short

*1 Set at factory shipment

IMPORTANT

1. *Set the SCSI ID so that there are no duplicates between SCSI devices on the same SCSI bus.*
2. *The priority of SCSI bus use in ARBITRATION phase is determined by SCSI ID as follows:
7 > 6 > 5 > 4 > 3 > 2 > 1 > 0 > 15 > 14 > 13 > 12 > 11 > 10 > 9 > 8*

5.3.2 Each mode setting

(1) Setting terminal power supply

Refer to Table 5.2 for controlling the supply of power from the drive to the SCSI terminal resistance power source (TERMPOW). However, this setting may not be used with SCA2 type 16 bit-SCSI (MAX3xxxSC). For information on MAX3xxxSP, refer to Figures 5.2 and 5.3.

Table 5.2 Setting SCSI terminal power supply (single-ended 16-bit SCSI model: MAX3xxxSP)

Supply on/off of SCSI terminating resistor power from IDD	CN6 1-2
Supply off	Open
Supply on	Short (*1)

*1 Setting at factory shipment

(2) Motor start mode

Set how to control the starting of the IDD spindle motor according to Table 5.3. This setting only determines the operation mode when the power supply is turned on or the microcode is downloaded. In both modes, stopping or restarting the spindle motor can be controlled by specifying the START/STOP UNIT command.

This setting is not provided for SCA2 type 16-bit SCSI model (MAX3xxxSC).

For information on MAX3xxxSP, refer to Figures 5.2 and 5.3.

Table 5.3 Motor start mode setting (single-ended 16-bit SCSI model: MAX3xxxSP)

Start timing of the spindle motor	CN6 3-4
Starting of the motor is controlled with the START/STOP UNIT command.	Open
The motor is started immediately after the power supply is turned on or the microcode is downloaded.	Short (*1)

*1 Setting at factory shipment

Refer to Chapter 3 of the SCSI Logical Interface Specifications for details of the START/STOP UNIT command.

5.3.3 Write protect, terminating resistor setting

(1) Write protect

When the write protect function is enabled, writing to the disk medium is disabled. The write protect function setting is not provided to the SCA2 type 16-bit SCSI model (MAx3xxxSC).

For information on MAx3xxxSP, refer to Figure 5.2 and 5.3.

Table 5.4 Write protect setting (single-ended 16-bit SCSI model: MAx3xxxSP)

Write protect	MAx3xxxSP
	CN7 13-14
Write operation is enabled.	Open (*1)
Write operation is disable.	Short

*1 Setting at factory shipment

(2) Connection of terminating resistor on SCSI interface

a. SCA2 type 16-bit SCSI model (MAx3xxxSC)

Since there is no SCSI terminating resistor on the SCSI interface for SCA2 type 16-bit SCSI, there is no setting on the IDD.

b. Single-ended 16-bit SCSI model (MAx3xxxSP)

Setting terminals CN6 5-6 set whether to use the terminating resistor circuit on the SCSI interface provided for the IDD (see Table 5.5).

IMPORTANT

When the external operator panel is connected using the external operator panel connector CN1, this setting is effective only when the A9 pin (TERM-ON) is open.

Table 5.5 Setting of connection of terminating resistor on SCSI interface (single-ended 16-bit SCSI model: MAx3xxxSP)

Connecting SCSI interface terminating resistor	MAx3xxxSP
	CN6 5-6
Terminating resistor circuit is not connected.	Open
Terminating resistor circuit is connected.	Short *

* Set at factory shipment

5.3.4 Mode settings

In addition to the previously described settings using setting terminals, the IDD is provided with several mode settings. The mode settings are enabled by specifying the CHANGE DEFINITION command. Table 5.6 lists the mode settings and their settings at factory shipment.

Refer to Section 3.1.4 of the SCSI Logical Interface Specifications for details of the command.

Table 5.6 Default mode settings (by CHANGE DEFINITION command)

Mode setting	Contents
SCSI level	SCSI-2
SYNCHRONOUS DATA TRANSFER REQUEST message sending	Sent from IDD
UNIT ATTENTION report mode	Reported
Reselection retry count	Not restricted
WIDE DATA TRANSFER REQUEST message sending	Sent from IDD
Reselection time-out delay	250 ms
Spindle motor start delay time	0 sec (MAX3xxxSP) 12 sec × SCSI ID (MAX3xxxSC)

5.4 Mounting Drives

5.4.1 Check before mounting

Reconfirm if the setting terminals are set correctly before mounting the drive in the system cabinet. For setting terminals location, see Section 5.3.

- (1) Single-ended 16-bit SCSI model (MAx3xxxSP)

Reconfirm if the setting terminals are set correctly according to Table 5.7.

Table 5.7 Setting check list (MAx3xxxSP)

Setting terminal CN6	No.	Setting contents (Check item)	Setting position	Check	Remarks
	1	Terminal power supply	CN6 1 - 2	<input type="checkbox"/> Short <input type="checkbox"/> Open	
	2	Motor start mode	CN6 3 - 4	<input type="checkbox"/> Short <input type="checkbox"/> Open	
	3	Connection of terminating resistor on SCSI interface	CN6 5 - 6	<input type="checkbox"/> Short <input type="checkbox"/> Open	

Setting terminal CN7	No.	Setting contents (Check item)	Setting position	Check	Remarks
	1	SCSI ID	CN7 7 - 8 5 - 6 3 - 4 1 - 2	<input type="checkbox"/> (SCSI ID = __)	
	2	Write protect	CN7 13 - 14	<input type="checkbox"/> Short <input type="checkbox"/> Open	

5.4.2 Mounting procedures

Since mounting the drive depends on the system cabinet structure, determine the work procedures considering the requirements specific to each system. The general mounting method and items to be checked are shown below.

See Subsection 4.2 for the details of requirements for installing the IDD.

- 1) With a system to which an external operator panel is mounted, if it is difficult to access the connector after the drive is mounted on the system cabinet, connect the external operator panel cable before mounting the drive.
- 2) Fix the drive in the system cabinet with four mounting screws as follows:
 - The drive has 10 mounting holes (both sides: 3 × 2, bottom: 4). Fix the drive by using four mounting holes of both sides or the bottom.

- Use mounting screws whose lengths inside the drive mounting frame are 4 mm or less when the screws are tightened (see Figure 4.6).
 - When mounting the drive, be careful not to damage parts on the PCAs.
- 3) Check that the DE (signal ground) does not touch the system cabinet chassis (frame ground). There must be a 2.5 mm or more space between the DE and chassis (see Figure 4.6).

5.5 Connecting Cables

Connect the IDD and system with the following cables. See Section 4.4 for further details of the requirements for IDD connector positions and connecting cables.

- Power cable
- SCSI cable
- External operator panel cable (if required)
- Spindle sync cable

The general procedures and notes on connecting cables are described below. Especially, pay attention to the inserting direction of each cable connector.



1. *Check that system power is off before connecting or disconnecting cables.*
 2. *Do not connect or disconnect cables when power is on.*
- a) Connect power cable.
 - b) Connect the external operator panel (if required for system).
 - c) Connect the SCSI cable.
 - d) Fix the cables so that they do not touch the DE and PCAs, or so that the smooth flow of the cooling air in the system cabinet is assured.



1. *Be careful of the insertion directions of the SCSI connectors. With the system in which terminating resistor power is supplied via the SCSI cable, if the power is turned on, the overcurrent protection fuse of the terminating resistor power supplier may be blown or the cable may be burnt if overcurrent protection is not provided.*

When the recommended parts listed in Table 4.1 are used, inserting the cables in the wrong direction can be prevented.

2. *To connect SCSI devices, be careful of the connection position of the cable. Check that the SCSI device with the terminating resistor is the last device connected to the cable.*

5.6 Confirming Operations after Installation and Preparation for use

5.6.1 Confirming initial operations

This section describes the operation check procedures after power is turned on. Since the initial operation of the IDD depends on the setting of the motor start mode, check the initial operation by either of the following procedures.

- (1) Initial operation in the case of setting so that motor starts at powering-on
 - a) When power is turned on, the LED blinks an instant and the IDD executes initial self-diagnosis.
 - b) If an error is detected in the initial self-diagnosis, the LED on the front panel blinks periodically.

Remark:

The spindle motor may or may not start rotating in this stage.

- c) When the IDD status is idle, the LED on the front panel remains off (when the initiator accesses the IDD via the SCSI bus, the LED lights).
- (2) Initial operation in the case of setting so that motor starts with START/STOP command
 - a) When power is turned on, the LED blinks an instant and the IDD executes initial self-diagnosis.
 - b) If an error is detected in the initial self-diagnosis, the LED on the front panel blinks.

- c) The spindle motor does not start rotating until the START/STOP UNIT command for the start is issued. The INIT needs to issue the START/STOP UNIT command to start the spindle motor by the procedure in Subsection 5.6.2.
 - d) The disk drive enters the READY status in 30 seconds after the START/STOP UNIT command is issued. At this time, the IDD reads "system information" from the system space on the disk.
 - e) The LED blinks during command execution.
- (3) Check items at illegal operation
- a) Check that cables are mounted correctly.
 - b) Check that power and voltages are supplied correctly (measure them with the IDD power connection position).
 - c) Check the setting of each setting terminal. Note that the initial operation depends on the setting of the motor start mode and LED display requirements.
 - d) If an error is detected in initial self-diagnosis the LED on the front panel blinks. In this case, it is recommended to issue the REQUEST SENSE command from the initiator (host system) to obtain information (sense data) for error analysis.

IMPORTANT

*The LED lights during the IDD is executing a command.
However, in some commands, the lighting time is only an instant.
Therefore, it seems that the LED blinks or the LED remains off.*

5.6.2 Checking SCSI connection

When the initial operation is checked normally after power is turned on, check that the IDD is connected to the SCSI bus from the host system. Although checking the connection depends on the structure of the host system, this section describes the general procedures.

(1) Checking procedure

Issuing the commands and determining the end status depends on the start mode of the spindle motor and UNIT ATTENTION report mode (specified with setting terminal). Figure 5.4 shows the recommended checking procedure for the mode that the motor starts when power is turned on. Figure 5.5 shows for the mode that the motor starts by the START/STOP command. In these recommended checking procedures, following items are checked.

Note:

Following steps a) to e) correspond to a) to e) in Figures 5.4 and 5.5.

- a) Issue the TEST UNIT READY command and check that the IDD is connected correctly to the SCSI bus and the initial operation after power is turned on ended normally. The command issue period of the TEST UNIT READY command shall be more than 20 ms.
- b) To control starting of the spindle motor from the host system, issue the START/STOP UNIT command to start the spindle motor.
- c) Check the SCSI bus operations with the WRITE BUFFER and READ BUFFER commands. Use data whose data bus bits change to 0 or 1 at least once. (Example: Data with an increment pattern of X'00' to X'FF')
- d) Start the IDD self-diagnostic test with the SEND DIAGNOSTIC command and check the basic operations of the controller and disk drive.

Motor starts when power is turned on

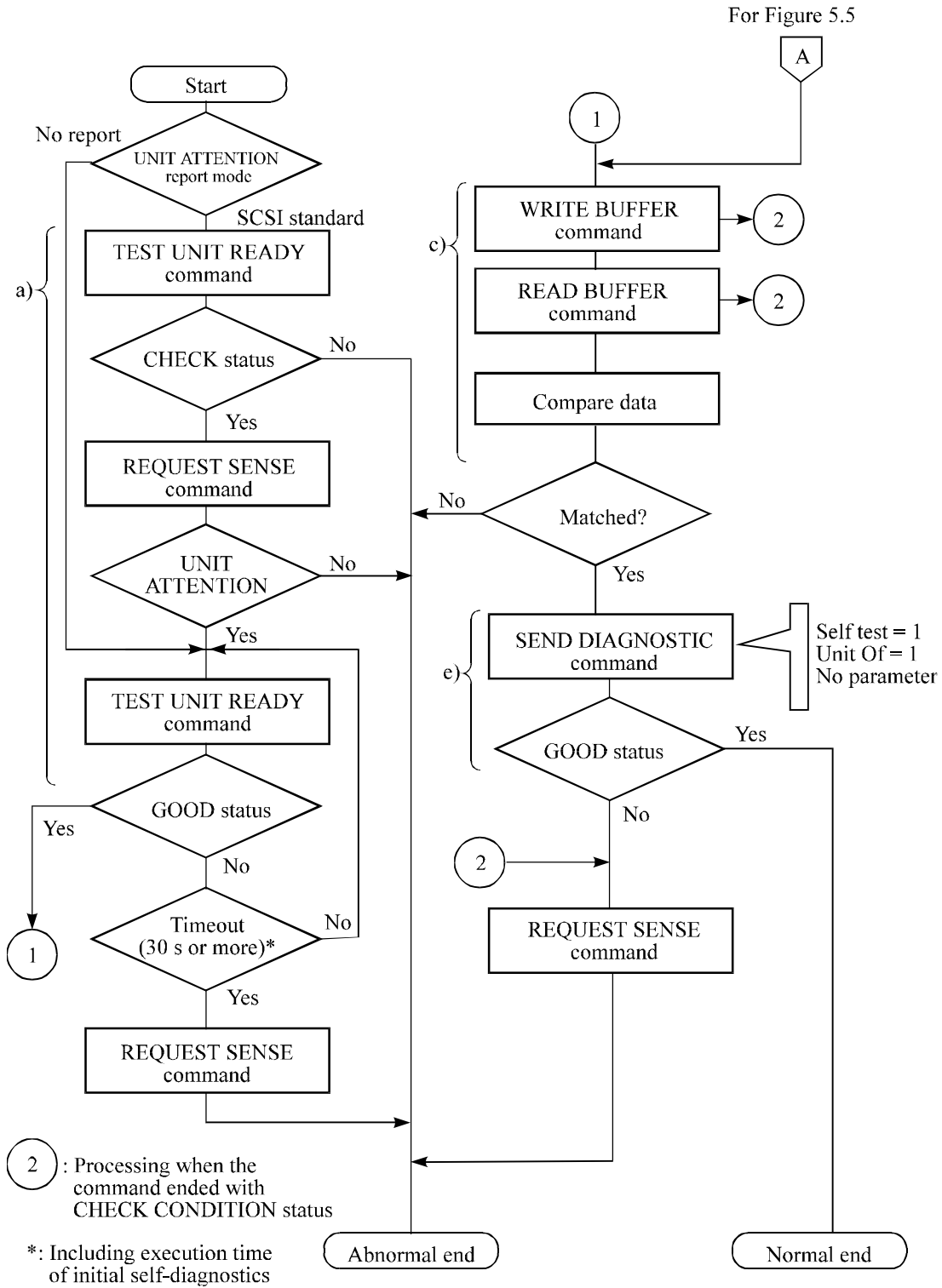
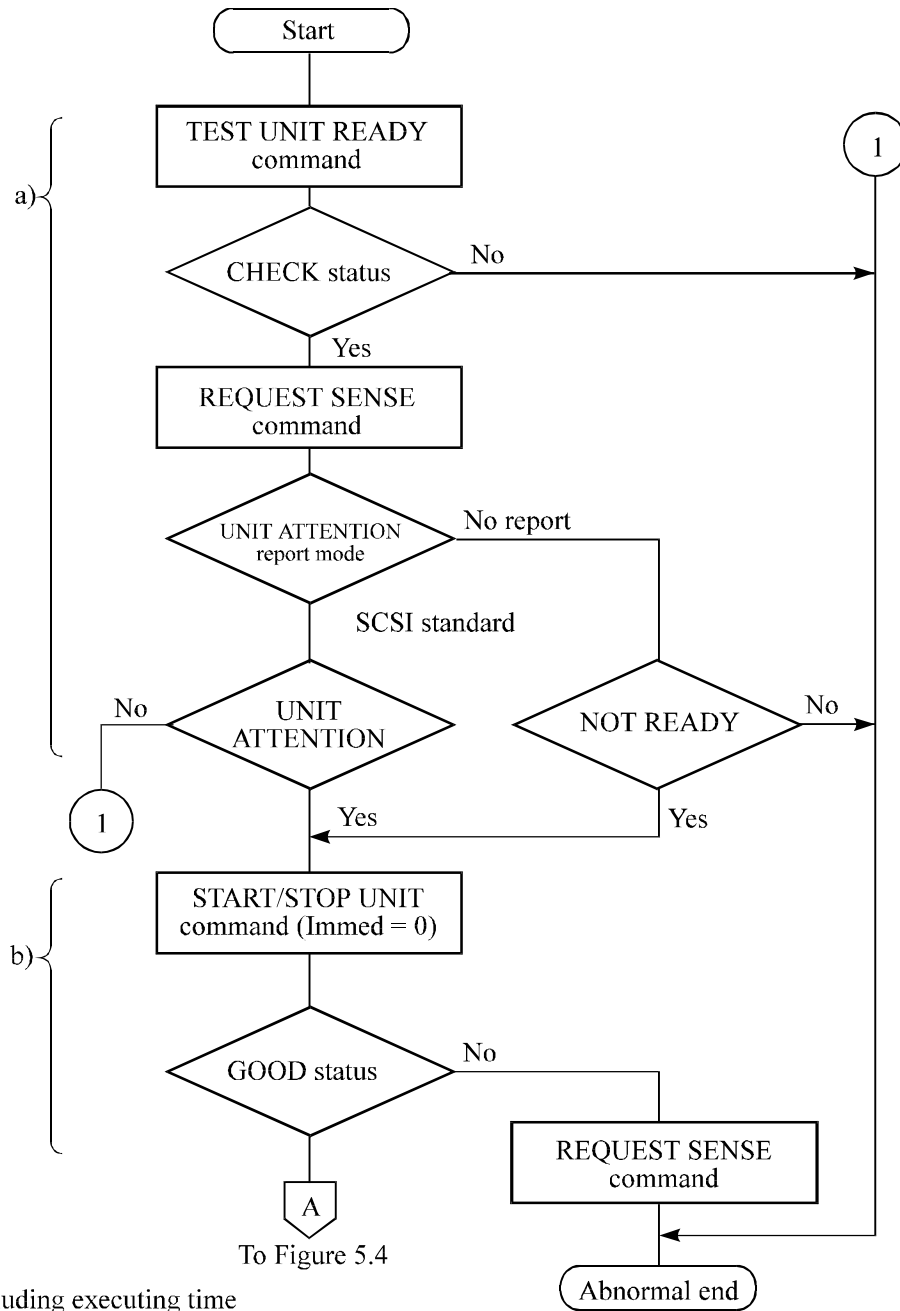


Figure 5.4 Checking the SCSI connection (A)

Motor starts by START/STOP command



*: Including executing time of initial self-diagnostics

Figure 5.5 Checking the SCSI connection (B)

- (2) Checking at abnormal end
 - a) When sense data can be obtained with the REQUEST SENSE command, analyze the sense data and retry recovery for a recoverable error. Refer to Chapter 4 of SCSI Logical Interface Specifications for further details.
 - b) Check the following items for the SCSI cable connection:
 - All connectors including other SCSI devices are connected correctly.
 - The terminating resistor is mounted on both ends of the cable.
 - Power is connected to the terminating resistor.
 - c) Check the setting of the terminals. Note that the checking procedure of SCSI connection differs depending on the setting of the motor start mode and UNIT ATTENTION report mode.

5.6.3 Formatting

Since the disk drive is formatted with a specific (default) data format for each model (part number) when shipped from the factory, the disk need not be formatted (initialized) when it is installed in the system.

However, when the system needs data attributes different from the default format, all sides of the disk must be formatted (initialized) according to the procedures below.

The user can change the following data attributes at initialization:

- Logical data block length
- Number of logical data blocks or number of cylinders in the user space
- Alternate spare area size

This section outlines the formatting at installation. Refer to Chapters 3 and 5 of SCSI Logical Interface Specifications for further details.

(1) MODE SELECT/MODE SELECT EXTENDED command

Specify the format attributes on the disk with the MODE SELECT or MODE SELECT EXTENDED command. The parameters are as follows.

a. Block descriptor

Specify the size (byte length) of the logical data block in the "data block length" field. To explicitly specify the number of logical data blocks, specify the number in the "number of data blocks" field. Otherwise, specify 0 in "number of data blocks" field. In this case, the number of logical data blocks after initialization is determined by the value specified in the format parameter (page code = 3) and drive parameter (page code = 4).

b. Format parameter (page code = 3)

Specify the number of spare sectors for each cylinder in the "alternate sectors/zone" field and specify the number of tracks for alternate cylinders (= number of alternate cylinders × number of disk drive heads) in the "alternate tracks/zone" field. It is recommended not to specify values smaller than the IDD default value in this field.

c. Drive parameter (page code = 4)

To explicitly specify the number of cylinders in the user space, specify the number in the "number of cylinders" field. Note that the number of alternate cylinders specified by the format parameter (page code = 3) is included in the number of cylinders in the user space. When the number of cylinders need not be specified, specify 0 or the default value in the "number of cylinders" field. In this case, either of the smaller value between the number of cylinders to allocate the number of logical data blocks specified in the "number of data blocks" field of the block descriptor or the maximum number of cylinders that can be used as the user space on the disk drive is allocated in the user space. When 0 is specified both in the "number of cylinders" field and the "number of data blocks" field of the block descriptor, the maximum number of cylinders that can be used as the user space on the disk drive is allocated in the user space.

(2) FORMAT UNIT command

Initialize all sides of the disk with the FORMAT UNIT command. The FORMAT UNIT command initializes all sides of the disk using the P lists, verifies data blocks after initialization, and allocates an alternate block for a defect block detected with verification. With initialization, the value "00" is written into all bytes of all logical data blocks. Only the position information of defect blocks detected with verification is registered in the G list. The specifications are as follows:

a. Specifying CDB

Specify 0 for the "FmtData" bit and the "CmpLst" bit on CDB, 000 for the "Defect List Format" field, and data pattern written into the data block at initialization for the "initializing data pattern" field.

b. Format parameter

When the values in step a. are specified with CDB, the format parameter is not needed.

5.6.4 Setting parameters

The user can specify the optimal operation mode for the user system environments by setting the following parameters with the MODE SELECT or MODE SELECT EXTENDED command:

- Error recovery parameter
- Disconnection/reconnection parameter
- Caching parameter
- Control mode parameter

With the MODE SELECT or MODE SELECT EXTENDED command, specify 1 for the "SP" bit on CDB to save the specified parameter value on the disk. This enables the IDD to operate by using the parameter value set by the user when power is turned on again. When the system has more than one INIT, different parameter value can be set for each INIT.

When the parameters are not set or saved with the MODE SELECT or MODE SELECT EXTENDED command, the IDD sets the default values for parameters and operates when power is turned on or after reset. Although the IDD operations are assured with the default values, the operations are not always optimal for the system. To obtain the best performance, set the parameters in consideration of the system requirements specific to the user.

This section outlines the parameter setting procedures. Refer to Chapter 3 of SCSI Logical Interface Specifications for further details of the MODE SELECT and MODE SELECT EXTENDED commands and specifying the parameters.

IMPORTANT

1. *At factory shipment of the IDD, the saving operation for the MODE SELECT parameter is not executed. So, if the user does not set parameters, the IDD operates according to the default value of each parameter*
2. *The model select parameter is not saved for each SCSI ID of but as the common parameter for all IDs. In the multi-INIT System, parameter setting cannot be changed for each INIT.*
3. *Once parameters are saved, the saved value is effective as long as next saving operation is executed from the INIT. For example, even if the initialization of the disk is performed by the FORMAT UNIT command, the saved value of parameters described in this section is not affected.*
4. *When the IDD, to which the saving operation has been executed on a system, is connected to another system, the user must pay attention to that the IDD operates according to the saved parameter value if the saving operation is not executed at installation.*

5. *The saved value of the MODE SELECT parameter is assumed as the initial value of each parameter after the power-on, the RESET condition, or the BUS DEVICE RESET message. The INIT can change the parameter value temporary (actively) at any timing by issuing the MODE SELECT or MODE SELECT EXTENDED command with specifying "0" to the SP bit in the CDB.*

(1) Error recovery parameter

The following parameters are used to control operations such as IDD internal error recovery:

a. Read/write error recovery parameters (page code = 1)

Parameter	Default value
• ARRE: Automatic alternate block allocation at read operation	1 (enabled)
• TB: Uncorrectable data transfer to the INIT	1 (enabled)
• EER: Immediate correction of correctable error	1 (enabled)
• PER: Report of recovered error	0 (disabled)
• DCR: Suppression of ECC error correction	0 (Correction is enabled.)
• Retry count at read operation	63
• Retry count at write operation	0
• Recovery time limit	30 sec

b. Verify error recovery parameters (page code = 7)

Parameter	Default value
• ERR: Immediate correction of recoverable error	1 (enabled)
• PER: Report of recovered error	0 (disabled)
• DTE: Stop of command processing at successful error recovery	0 (Processing is continued.)
• DCR: Suppression of ECC error correction	0 (Correction is enabled.)
• Retry count at verification	63

c. Additional error recovery parameters (page code = 21)

Parameter	Default value
• Retry count at seek error	15

Notes:

1. The user can arbitrarily specify the following parameters according to the system requirements:
 - ARRE
 - TB
 - PER
2. The user also can arbitrarily specify parameters other than the above. However, it is recommended to use the default setting in normal operations.

(2) Disconnection/reconnection parameters (page code = 2)

The following parameters are used to optimize the start timing of reconnection processing to transfer data on the SCSI bus at a read (READ or READ EXTENDED command) or write operation (WRITE, WRITE EXTENDED, or WRITE AND VERIFY command) of the disk. Refer to Chapter 2 of SCSI Logical Interface Specifications for further details.

a. Disconnection/reconnection parameters (page code = 2)

Parameter	Default value
• Buffer full ratio	20 (HEX)
• Buffer empty ratio	20 (HEX)

Notes:

1. In a system without the disconnection function, these parameters need not be specified.
2. Determine the parameter values in consideration of the following performance factors of the system:
 - Time required for reconnection processing
 - Average data transfer rate of the SCSI bus
 - Average amount of processing data specified with a command

Refer to Chapter 2 of SCSI Logical Interface Specifications for how to obtain the rough calculation values for the parameter values to be set. It is recommended to evaluate the validity of the specified values by measuring performance in an operation status under the average system load requirements.

(3) Caching parameters

The following parameters are used to optimize IDD Read-Ahead caching operations under the system environments. Refer to Chapter 2 of SCSI Logical Interface Specifications for further details.

a. Read caching parameters

	Parameter	Default value
• RCD:	Disabling Read-Ahead caching operations	0 (enabled)
• WCE:	Write Cache Enable	0 (disabled)
• MS:	Specifying the multipliers of "minimum prefetch" and "maximum prefetch" parameters	0 (Specifying absolute value)
• DISC:	Prefetch operation after track switching during prefetching	0 (inhibit)
• Number of blocks for which prefetch is suppressed		X'FFFF'
• Minimum prefetch		X'0000'
• Maximum prefetch		X'0XXX' (Equivalent to 122 KB)
• Number of blocks with maximum prefetch restrictions		X'FFFF'
• Number of segments		X'4'

Notes:

1. When Read-Ahead caching operations are disabled by the caching parameter, these parameter settings have no meaning except write cache feature.
2. Determine the parameters in consideration of how the system accesses the disk. When the access form is not determined uniquely because of the processing method, the parameters can be re-set actively.
3. For sequential access, the effective access rate can be increased by enabling Read-Ahead caching operations and Write Cache feature.

(4) Control mode parameters

The following parameters are used to control the tagged queuing and error logging.

a. Control mode parameters

Parameter		Default value
• Queue algorithm modifier		0 (Ordering is executed by read command only.)
• QErr:	Resume or abort remaining suspended commands after sense pending state	0 (command is resumed)
• DQue:	Disabling tagged command queuing	0 (enabled)

5.7 Dismounting Drives

Since dismounting the drive to check the setting terminals, change the setting, or change the drive depends on the structure of the system cabinet, the work procedures must be determined in consideration of the requirements specific to the system. This section describes the general procedures and notes on dismounting the drive.



1. *Dismount the drive after disconnecting system power. Do not remove mounting screws holding the cables and drive while power is on.*
 2. *Do not move the drive until it completely stops (30 seconds after spindle motor is stopped with START/STOP UNIT command or after power is turned off).*
- a) Remove the power cable.
 - b) Remove the SCSI cable.
 - c) When the external operator panel is mounted, remove the cable. If it is difficult to access the connector position, the cable may be removed after step e).
 - d) Remove the DC ground cable.
 - e) Remove the four mounting screws securing the drive, then remove the drive from the system cabinet.
 - f) To store or transport the drive, keep it in an antistatic bag and provide packing (see Section 5.1).

CHAPTER 6 DIAGNOSTICS AND MAINTENANCE

<p>6.1 Diagnostics</p> <p>6.2 Maintenance Information</p>

This chapter describes diagnostics and maintenance information.

6.1 Diagnostics

6.1.1 Self-diagnostics

The IDD has the following self-diagnostic function. This function checks the basic operations of the IDD.

- Initial self-diagnostics
- Online self-diagnostics (SEND DIAGNOSTIC command)

Table 6.1 lists the contents of the tests performed with the self-diagnostics. For a general check of the IDD including the operations of the host system and interface, use a test program that runs on the host system (see Subsection 6.1.2).

Table 6.1 Self-diagnostic functions

Test contents	Initial self-diagnostics	SEND DIAGNOSTIC command	
		Self Test=1 Unit Offline=0	Self Test=1 Unit Offline=1
Hardware function test	○	○	○
Seek test			↓
Write/read test (Cylinder for internal test)			○

Note:

○ indicates the tests to be executed and arrows show the sequence of execution.

Brief test contents of self-diagnostics are as follows.

a. Hardware function test

This test checks the basic operation of the controller section, and contains following test.

- RAM (microcode is stored)
- Peripheral circuits of microprocessor (MPU)
- Memory (RAM)
- Data buffer

b. Seek test

This test checks the positioning operation of the disk drive using several seek modes (2 points seek, 1 position sequential seek, etc.). The positioning operation is checked with confirming the physical address information by reading the ID field (LBA) from the data block on track 0 after completion of the seek operation to the target cylinder.

c. Write/read test

This test check the write/read function by using the Internal test space of the disk drive.

(1) Initial self-diagnostics

When power is turned on, the IDD starts initial self-diagnostics. The initial self-diagnostics checks the basic operations of the hardware functions.

If an error is detected in the initial self-diagnostics, the LED on the drive front panel blinks. In this status, the IDD posts the CHECK CONDITION status to all I/O operation requests other than the REQUEST SENSE command. When the CHECK CONDITION status is posted, the INIT should issue the REQUEST SENSE command. The sense data obtained with the REQUEST SENSE command details the error information detected with the initial self-diagnostics.

Even if CHECK CONDITION status and sense data are posted, the LED continues blinking. Only when the SCSI bus is reset, the BUS DEVICE RESET message is issued, or the power is turned off or re-turned on, this status can be cleared. When this status is cleared, the IDD executes the initial self-diagnosis again.

The IDD does not reply to the SCSI bus for up to 2 seconds after the initial self-diagnostics is started. After that, the IDD can accept the I/O operation request correctly, but the received command, except the executable commands under the not ready state (such as INQUIRY, START/STOP UNIT), is terminated with the CHECK CONDITION status (NOT READY [=2]/logical unit not ready [=04-00]) during the interval from the spindle motor becomes stable to the IDD becomes ready. The executable command under the not ready state is executed in parallel with the initial self-diagnostics, or is queued by the command queuing feature and is executed after completion of the initial self-diagnostics. When the command that comes under the exception condition of the command queuing is issued at that time, the IDD posts the BUSY status for the command. When the error is detected during the initial self-diagnostics, the CHECK CONDITION status is posted for all commands that were stacked during the initial self-diagnostics. For the command execution condition, refer to Section 1.4 and Subsection 1.7.4 in SCSI Logical Interface Specifications.

(2) Online self-diagnostics (SEND DIAGNOSTIC command)

The INIT can make the IDD execute self-diagnostics by issuing the SEND DIAGNOSTIC command.

The INIT specifies the execution of self-diagnostics by setting 1 for the SelfTest bit on the CDB in the SEND DIAGNOSTIC command and specifies the test contents with the UnitOfI bit.

When the UnitOfI bit on the CDB is set to 0, the IDD executes the hardware function test only once. When UnitOfI bit is set to 1, the IDD executes the hardware function test, seek (positioning) test, and data write/read test for the Internal test space only once.

a. Error recovery during self-diagnostics

During the self-diagnostics specified by the SEND DIAGNOSTIC command, when the recoverable error is detected during the seek or the write/read test, the IDD performs the error recovery according to the MODE SELECT parameter value (read/write error recovery parameter, additional error recovery parameter) which the INIT specifies at the time of issuing the SEND DIAGNOSTIC command.

PER	Operation of self-diagnostics
0	The self-diagnostics continues when the error is recovered. The self-diagnostics terminates normally so far as the unrecoverable error is not detected.
1	The self-diagnostics continues when the error is recovered. If the unrecoverable error is not detected, the consecutive tests are executed till last test but the self-diagnostics terminates with error. The error information indicates that of the last recovered error.

b. Reporting result of self-diagnostics and error indication

When all specified self-diagnostics terminate normally, the IDD posts the GOOD status for the SEND DIAGNOSTIC command.

When an error is detected in the self-diagnostics, the IDD terminates the SEND DIAGNOSTIC command with the CHECK CONDITION status. At this time only when an error is detected in the hardware function test, the LED on the front panel of the disk drive blinks.

The INIT should issue the REQUEST SENSE command when the CHECK CONDITION status is posted. The sense data collected by the REQUEST SENSE command indicates the detail information of the error detected in the self-diagnostics.

The IDD status after the CHECK CONDITION status is posted differs according to the type of the detected error.

- a) When an error is detected in the seek or write/read test, the subsequent command can be accepted correctly. When the command other than the REQUEST SENSE and NO OPERATION is issued from the same INIT, the error information (sense data) is cleared.
- b) When an error is detected in the hardware function test, the IDD posts the CHECK CONDITION status for all I/O operation request except the REQUEST SENSE command. The error status is not cleared and the LED on the front panel continues blinking even if the error information (sense data) is read. Only when the SCSI bus is reset, the BUS DEVICE RESET message is issued or the power is turned off or returned on, the status can be cleared. When this status is cleared, the IDD executes the initial self-diagnostics again (see item (1)).

Refer to Chapter 3 of SCSI Logical Interface Specifications for further details of the command specifications.

Notes:

When the SEND DIAGNOSTIC command terminates with the CHECK CONDITION status, the INIT must collect the error information using the REQUEST SENSE command. The RECEIVE DIAGNOSTIC RESULTS command cannot read out the error information detected in the self-diagnostics.

6.1.2 Test programs

The basic operations of the IDD itself can be checked with the self-diagnostic function. However, to check general operations such as the host system and interface operations in a status similar to the normal operation status, a test program that runs on the host system must be used.

The structure and functions of the test program depend on the user system requirements. Generally, it is recommended to provide a general input/output test program that includes SCSI devices connected to the SCSI bus and input/output devices on other I/O ports.

Including the following test items in the test program is recommended to test the IDD functions generally.

(1) Interface (SCSI bus) test

The operations of the SCSI bus and data buffer on the IDD are checked with the WRITE BUFFER and READ BUFFER commands.

(2) Basic operation test

The basic operations of the IDD are checked by executing self-diagnosis with the SEND DIAGNOSTIC command (see Subsection 6.1.1).

(3) Random/sequential read test

The positioning (seek) operation and read operation are tested in random access and sequential access modes with the READ, READ EXTENDED, or VERIFY command.

(4) Write/read test

By using a data block in the internal test space, the write/read test can be executed with an arbitrary pattern for a disk drive in which user data is stored.

6.2 Maintenance Information

6.2.1 Maintenance requirements

(1) Preventive maintenance

Preventive maintenance such as replacing air filters is not required.



Do not open the DE in the field because it is completely sealed.

(2) Service life

The service life under suitable conditions and treatment is as follows. The service life is depending on the environment temperature. Therefore, the user must design the system cabinet so that the average DE surface temperature is as possible as low.

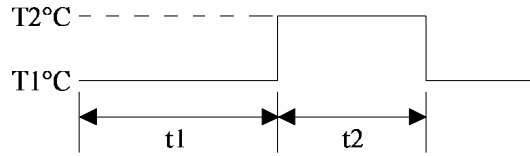
- DE surface temperature: 45°C or less 5 years
- DE surface temperature: 46°C to 50°C 4 years
- DE surface temperature: 51°C to 55°C 3 years
- DE surface temperature: 56°C and more strengthen cooling power so that DE surface

temperature is 55°C or less.

Even if the IDD is used intermittently, the longest service life is 5 years.

Note:

The "average DE surface temperature" means the average temperature at the DE surface throughout the year when the IDD is operating.



$$\text{Average DE surface temperature} = \frac{T1 \times t1 + T2 \times t2}{t1 + t2}$$

(3) Parts that can be replaced in the field

The PCA cannot be replaced in the field. The DE cannot be replaced in the field.

(4) Service system and repairs

Fujitsu has the service system and repair facility for the disk drive. Contact Fujitsu representative to submit information for replacing or repairing the disk drive. Generally, the following information must be included:

- a) IDD model, part number (P/N), revision number, serial number (S/N), and date of manufacturing
- b) Error status
 - Date when the error occurred
 - System configuration
 - Environmental conditions (temperature, humidity, and voltage)
- c) Error history
- d) Error contents
 - Outline of inconvenience
 - Issued commands and specified parameters
 - Sense data
 - Other error analysis information



Save data stored on the disk drive before requesting repair. Fujitsu does not assume responsibility if data is destroyed during servicing or repair.

At shipment



Revising at field

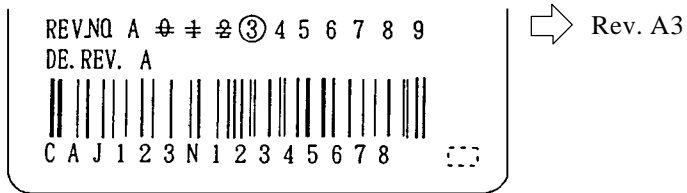


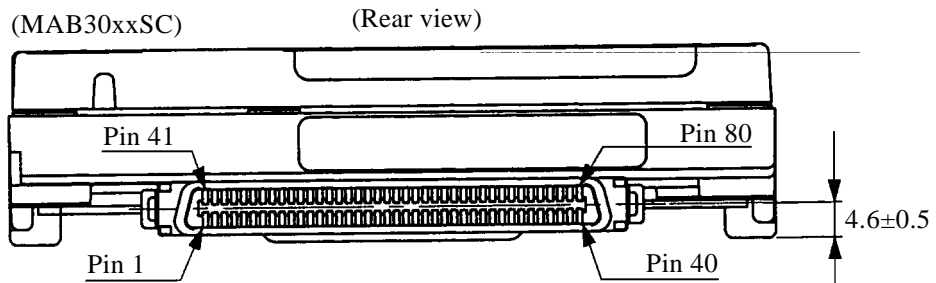
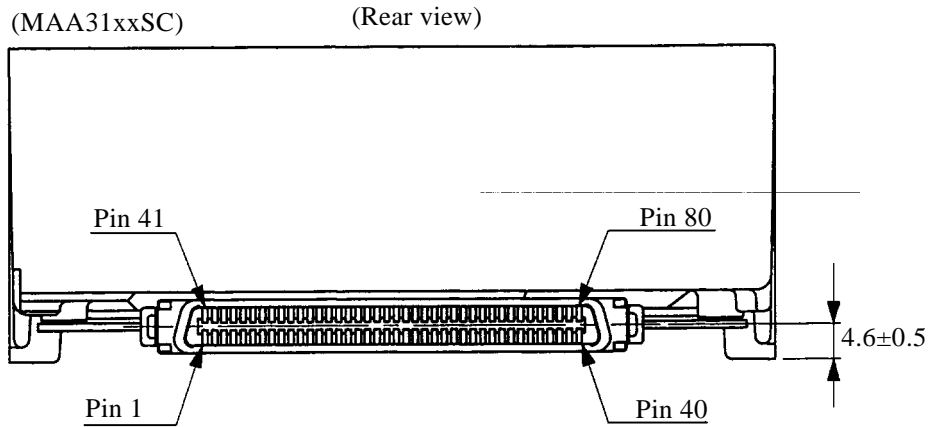
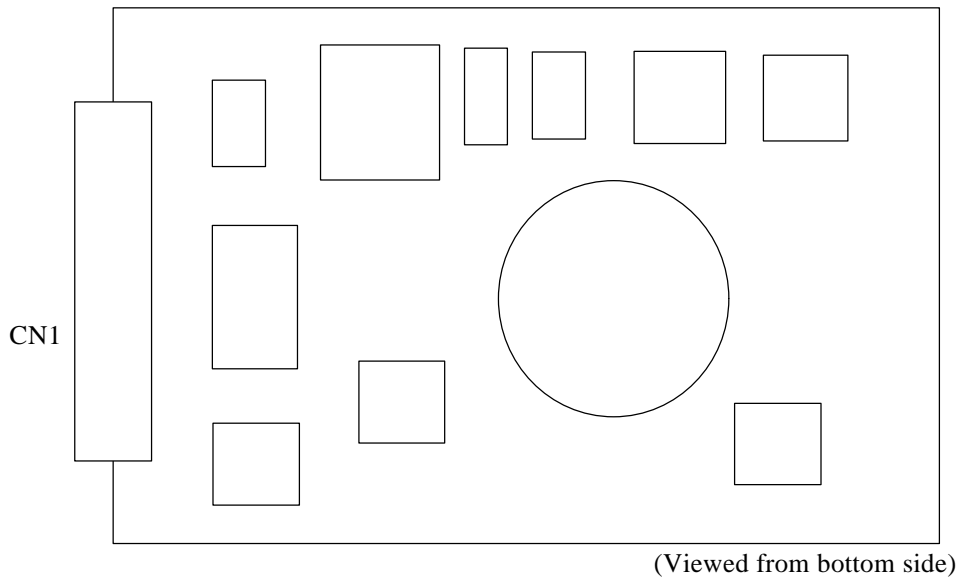
Figure 6.2 Indicating revision numbers

APPENDIX A LOCATIONS OF CONNECTORS, SETTING TERMINALS, AND TERMINATING RESISTORS

- A.1 Locations of Connectors and Setting Terminals
 (MAx3xxxSC: SCA2 type 16-bit SCSI)**
- A.2 Locations of Connectors and Setting Terminals
 (MAx3xxxSP: single-ended type 16-bit SCSI)**

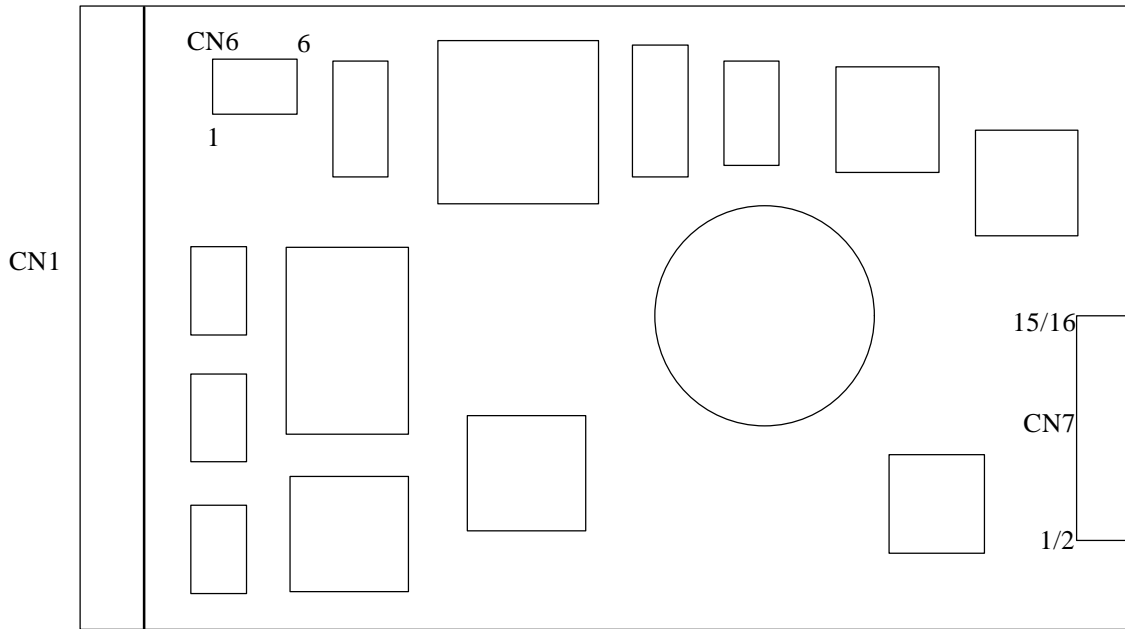
This appendix shows the locations of connectors, setting terminals, and terminating resistor for 8- and 16-bit SCSIs.

**A.1 Locations of Connectors and Setting Terminals
(MAx3xxxSC: SCA2 type 16-bit SCSI)**

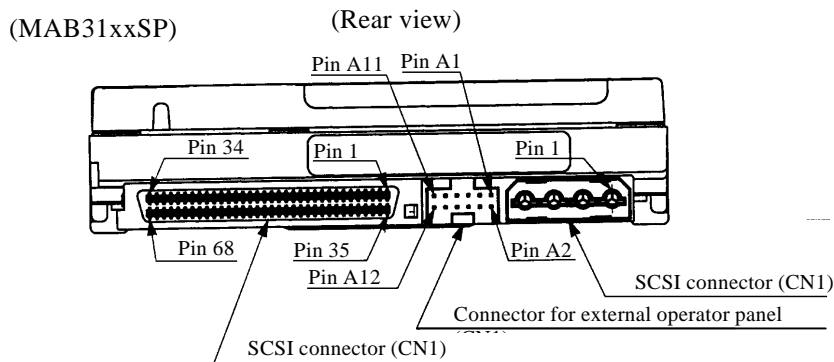
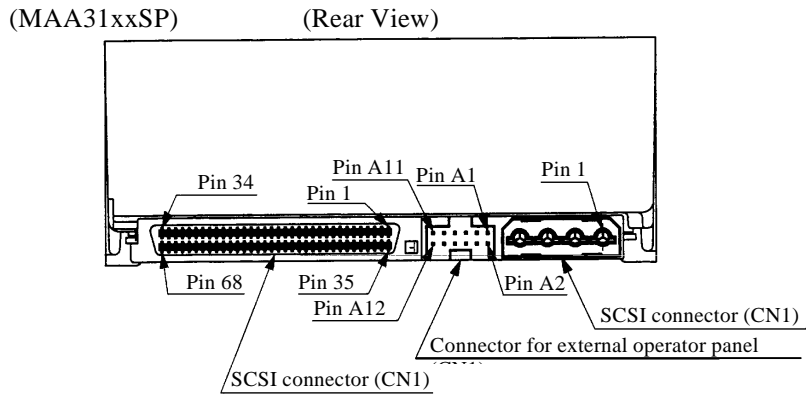


**Figure A.1 Locations of connectors and setting terminals
(MAx3xxxSC, SCA2 type 16-bit SCSI)**

**A.2 Locations of Connectors and Setting Terminals
(MAX3xxxSP : single-ended type 16-bit SCSI)**



(Viewed from bottom side)



**Figure A.2 Locations of connectors and setting terminals
(MAX3xxxSP, single-ended type 16-bit SCSI)**

APPENDIX B SETTING TERMINALS

<p>B.1 Setting Terminals (MAx3xxxSP : Single-ended 16-bit SCSI)</p>

This appendix describes setting terminals.

B.1 Setting Terminals (MAx3xxxSP : Single-ended 16-bit SCSI)

Table B.1 Setting terminal: CN6 (MAx3xxxSP)

Setting item	Pins			Setting contents
	5-6	3-4	1-2	
Terminal power supply			Open	Does not supply terminating resistor power to SCSI bus
			Short	Supplies terminating resistor power to SCSI bus (*1)
Motor start mode		Open		Started by the START/STOP UNIT command
		Short		Started by turning the power supply on (*1)
Connection of terminating resistor circuit on SCSI interface	Open			Disconnects terminating resistor circuit
	Short			Connects terminating resistor circuit (*1)

Note:

See the description in Section 5.3 for details of the setting requirements and notes.

Table B.2 Setting terminal: CN7 (MAX3xxxSP)

Setting item	Pins					Setting contents
	13 - 14	7 - 8	5 - 6	3 - 4	1 - 2	
SCSI ID		(Open)	Open	Open	Open	SCSI ID #0 (Common to 8-bit and 16-bit SCSI)
		(Open)	Open	Open	Short	SCSI ID #1 (Common to 8-bit and 16-bit SCSI)
		(Open)	Open	Short	Open	SCSI ID #2 (Common to 8-bit and 16-bit SCSI)
		(Open)	Open	Short	Short	SCSI ID #3 (Common to 8-bit and 16-bit SCSI)
		(Open)	Short	Open	Open	SCSI ID #4 (Common to 8-bit and 16-bit SCSI)
		(Open)	Short	Open	Short	SCSI ID #5 (Common to 8-bit and 16-bit SCSI)
		(Open)	Short	Short	Open	SCSI ID #6 (Common to 8-bit and 16-bit SCSI)
		(Open)	Short	Short	Short	SCSI ID #7 (Common to 8-bit and 16-bit SCSI)
		Short	Open	Open	Open	SCSI ID #8 (16-bit SCSI only)
		Short	Open	Open	Short	SCSI ID #9 (16-bit SCSI only)
		Short	Open	Short	Open	SCSI ID #10 (16-bit SCSI only)
		Short	Open	Short	Short	SCSI ID #11 (16-bit SCSI only)
		Short	Short	Open	Open	SCSI ID #12 (16-bit SCSI only)
		Short	Short	Open	Short	SCSI ID #13 (16-bit SCSI only)
		Short	Short	Short	Open	SCSI ID #14 (16-bit SCSI only)
	Short	Short	Short	Short	SCSI ID #15 (16-bit SCSI only) (*1)	
Write protect	Open					Write operation is enabled. (*1)
	Short					Write operation is disabled.

Note:

See the description of Section 5.3 for details of the setting requirements and notes.

APPENDIX C CONNECTOR SIGNAL ALLOCATION

C.1 SCSI Connector Signal Allocation: SCA2 type 16-bit SCSI

**C.2 SCSI Connector Signal Allocation: single-ended type
16-bit SCSI**

This appendix describes the connector signal allocation.

C.1 SCSI Connector Signal Allocation: SCA2 type 16-bit SCSI

Table C.1 SCSI connector (SCA2 type, 16-bit SCSI): CN1

Pin No.	Signal	Signal	Pin No.
01	+12V (Charge)	12V RETURN (GND)	41
02	+12V	12V RETURN (GND)	42
03	+12V	12V RETURN (GND)	43
04	+12V	12V RETURN (MATED 1)	44
05	Reserved (N.C.)	Reserved (N.C.)	45
06	Reserved (N.C.)	Reserved (N.C.)	46
07	-DB11	GND	47
08	-DB10	GND	48
09	-DB09	GND	49
10	-DB08	GND	50
11	-I/O	GND	51
12	-REQ	GND	52
13	-C/D	GND	53
14	-SEL	GND	54
15	-MSG	GND	55
16	-RST	GND	56
17	-ACK	GND	57
18	-BSY	GND	58
19	-ATN	GND	59
20	-DBP0	GND	60
21	-DB07	GND	61
22	-DB06	GND	62
23	-DB05	GND	63
24	-DB04	GND	64
25	-DB03	GND	65
26	-DB02	GND	66
27	-DB01	GND	67
28	-DB00	GND	68
29	-DBP1	GND	69
30	-DB15	GND	70
31	-DB14	GND	71
32	-DB13	GND	72
33	-DB12	GND	73
34	5V	5V RETURN (MATED 2)	74
35	5V	5V RETURN (GND)	75
36	5V (Charge)	5V RETURN (GND)	76
37	- SPINDLE SYNC	-LED	77
38	RMT START	DLYD START	78
39	SCSI ID0	SCSI ID1	79
40	SCSI ID2	SCSI ID3	80

C.2 SCSI Connector Signal Allocation: single-ended type 16-bit SCSI

Table C.2 SCSI connector (single-ended type 16-bit SCSI): CN1

Pin No.	Signal	Signal	Pin No.
01	GND	-DB12	35
02	GND	-DB13	36
03	GND	-DB14	37
04	GND	-DB15	38
05	GND	-DBP1	39
06	GND	-DB00	40
07	GND	-DB01	41
08	GND	-DB02	42
09	GND	-DB03	43
10	GND	-DB04	44
11	GND	-DB05	45
12	GND	-DB06	46
13	GND	-DB07	47
14	GND	-DBP0	48
15	GND	GND	49
16	GND	GND	50
17	TERMPWR*	TERMPWR*	51
18	TERMPWR*	TERMPWR*	52
19	(Reserved)	(Reserved)	53
20	GND	GND	54
21	GND	-ATN	55
22	GND	GND	56
23	GND	-BSY	57
24	GND	-ACK	58
25	GND	-RST	59
26	GND	-MSG	60
27	GND	-SEL	61
28	GND	-C/D	62
29	GND	-REQ	63
30	GND	-I/O	64
31	GND	-DB08	65
32	GND	-DB09	66
33	GND	-DB10	67
34	GND	-DB11	68

*1 Power supply for the terminating resistor

APPENDIX D MODEL NAMES AND PRODUCT NUMBERS

D.1 Model Names and Product Numbers

This appendix lists model names (types) and product numbers.

D.1 Model Names and Product Numbers

Table D.1 MAA, MAB and MAC series model names and product numbers

Model name (type)	SCSI type	Data block length (at factory shipment)	Total storage capacity (user area)	Ultra SCSI	Mounting screw	Part number	Remarks
MAA3182SP	16-bit SE	512B	18.2 GB	○	#6-32UNC	CA01606-B922	1.6-inch height 7,200 rpm 10 disks 19 heads
MAA3182SC	16-bit SE			○		CA01606-B962	
MAB3091SP	16-bit SE	512B	9.1 GB	○	#6-32UNC	CA01606-B522	1-inch height 7,200 rpm 5 disks 10 heads
MAB3091SC	16-bit SE			○		CA01606-B562	
MAB3045SP	16-bit SE	512B	4.55 GB	○	#6-32UNC	CA01606-B322	1-inch height 7,200 rpm 3 disks 5 heads
MAB3045SC	16-bit SE			○		CA01606-B362	
MAC3091SP	16-bit SE	512B	9.1 GB	○	#6-32UNC	CA01682-B522	1-inch height 10,000 rpm 5 disks 10 heads
MAC3091SC	16-bit SE			○		CA01682-B562	
MAC3045SP	16-bit SE	512B	4.55 GB	○	#6-32UNC	CA01682-B322	1-inch height 10,000 rpm 3 disks 5 heads
MAC3045SC	16-bit SE			○		CA01682-B362	

Note:

Only above models are available currently.

SE: Single-ended

MAx3xxxSC uses SCA-2 type connector.

APPENDIX E SCSI INTERFACE FUNCTIONS

E.1 SCSI interface function specifications

This appendix lists the SCSI interface functions provided for the IDD. Refer to the SCSI Logical Interface Specifications for details of each functions.

E.1 SCSI interface function specifications

Table E.1 SCSI interface function specifications (1 of 8)

O: Provided ×: Not provided

Item		Specification	
1-byte length message	COMMAND COMPLETE (00)	O	
	SAVE DATA POINTER (02)	O	
	RESTORE POINTERS (03)	O	
	DISCONNECT	(TARG → INIT) (04)	O
		(INIT → TARG) (04)	×
	INITIATOR DETECTED ERROR (05)	O	
	ABORT (06)	O	
	MESSAGE REJECT (07)	O	
	NO OPERATION (08)	O	
	MESSAGE PARITY ERROR (09)	O	
	LINKED COMMAND COMPLETE (0A)	O	
	LINKED COMMAND COMPLETE WITH FLAG (0B)	O	
	BUS DEVICE RESET (0C)	O	
	ABORT TAG (0D)	O	
	CLEAR QUEUE (0E)	O	
	INITIATE RECOVERY (0F)	×	
	RELEASE RECOVERY (10)	×	
	TERMINATE I/O PROCESS (11)	O	
	CONTINUE I/O PROCESS (12)	×	
	TARGET TRANSFER DISABLE (13)	×	
IDENTIFY (80-FF)	O		
	Disconnect Privilege (DiscPriv) Bit	O	
	Logical Unit Target (LUNTAR) Bit	×	
2-byte length message	SIMPLE QUEUE TAG (20)	O	
	HEAD OF QUEUE TAG (21)	O	
	ORDERED QUEUE TAG (22)	O	
	IGNORE WIDE RESIDUE (23)	O (16 bit-SCSI only)	
Expansion message	MODIFY DATA POINTER (01-00)	×	
	SYNCHRONOUS DATA TRANSFER REQUEST (01-01)	O	
	EXTENDED IDENTIFY (01-02)	×	
	WIDE DATA TRANSFER REQUEST (01-03)	O (16 bit-SCSI only)	
	UNIT ATTENTION [VU] *(01-80)	×	
	HALT I/O [VU] *(01-81)	×	
	DIAGNOSTIC CONTROL [VU] *(01-82)	×	

*1 Fujitsu-specific function

Table E.1 SCSI interface function specifications (2 of 8)

O: Provided ×: Not provided

Item		Specification
Command (Group 0)	TEST UNIT READY (00)	O
	REZERO UNIT (01)	O
	REQUEST SENSE (03)	O
	FORMAT UNIT (04)	O
	FmtData (format data) =0	O
	Interleave factor	O (No interleave)
	Block address format defect listing =0	×
	Block address format defect listing ≠0	×
	Byte-distance-from-index format defect listing =0	O
	Byte-distance-from-index format defect listing ≠0	O
	Physical sector address format defecting listing =0	O
	Physical sector address format defecting listing ≠0	O
	CmpLst (complete list)	O
	FOV (Format Options Valid)	O
	DPRY (Disable Primary)	O
	DCRT (Disable Certification)	O
	STPF (Stop Format)	×
	IP (Initialization Pattern)	×
	DSP (Disable Saving Parameters)	×
	Immed (Immediate)	O
	REASSIGN BLOCKS (07)	O
	READ (08)	O
	WRITE (0A)	O
	SEEK (0B)	O
	INQUIRY (12)	O
	EVPD (Enable Vital Product Data)	O
	Typical INQUIRY data	O (64 byte long)
	VPD Page 0: VPD page code listing	O
	VPD Page 80: Device serial number	O
	VPD Page C0: Operation mode	O
READ DEVICE CHARACTERISTICS [VU] *(13)	×	
PRIORITY RESERVE [VU] *(14)	×	

*1 Fujitsu-specific function

Table E.1 SCSI interface function specifications (3 of 8)

O: Provided ×: Not provided

Item		Specification
Command (Group 0)	MODE SELECT (15)	O
	PF=(page format)	O (Specified value ignored)
	Page 1: Read/write error recovery	O (12 B: Savable)
	AWRE (Automatic Write Reallocation Enabled)	× (Specified value ignored)
	ARRE (Automatic Read Reallocation Enabled)	O (Changeable)
	TB (Transfer Block)	O (Changeable)
	RC (Read Continuous)	O (Changeable)
	EER (Enable Early Recovery)	O (Changeable)
	PER (Post Error)	O (Changeable)
	DTE (Disable Transfer on Error)	× (Specified value ignored)
	DCR (Disable Correction)	O (Changeable)
	Retry count at read	O (Changeable)
	Correctable bit length	O (Not changeable)
	Head offset count	×
	Data strobe offset count	×
	Retry count at write	O (Changeable)
	Recovery processing time restriction	O (Changeable)
	Page 2: Disconnection/reconnection	O (16 B: Savable)
	Buffer-full ratio	O (Changeable)
	Buffer-empty ratio	O (Changeable)
	Bus inactivity restriction	O (Not changeable)
	Disconnection time restriction	×
	Connection time restriction	×
	Maximum burst length	×
	DTDC (data transfer disconnect control)	O (Changeable)

*1 Fujitsu-specific function

Table E.1 SCSI interface function specifications (4 of 8)

O: Provided ×: Not provided

Item		Specification
Command (Group 0)	MODE SELECT (command) (15)	
	Page 3: Format parameter	O (24 B: Savable)
	Number of tracks/zone	O (Not changeable)
	Number of alternate sectors/zone	O (Changeable)
	Number of alternate tracks/zone	O (Not changeable)
	Number of alternate tracks/drive	O (Not changeable)
	Number of alternate sectors/track	O (Not changeable)
	Data byte length/physical sector	O (Changeable)
	Interleave factor	O (No interleave)
	Track skew factor	O (Not changeable)
	Cylinder skew factor	O (Not changeable)
	SSEC/HSEC (Soft Sector/Head Sector)	O (Not changeable)
	RMB (Removable)	O (Not changeable)
	SURF (Surface)	O (Not changeable)
	Page 4: Drive parameter	O (24 B: Savable)
	Number of cylinders	O (Changeable)
	Number of heads	O (Not changeable)
	“Write Precompensation” start cylinder	×
	“Reduced Write Current” start cylinder	×
	Drive step rate	×
	Landing zone cylinder	×
	RPL (Rotational Position Locking)	×
	Rotational synchronization offset	×
	Medium rotational speed	O (Not changeable)
	Page 7: Verify error recovery	O (12 B: Savable)
	EER (Enable Early Recovery)	O (Changeable)
	PER (Post Error)	O (Changeable)
	DTE (Disable Transfer on Error)	× (Specified value ignored)
	DCR (Disable Correction)	O (Changeable)
	Retry count at verification	O (Changeable)
Correctable bit length	O (Not changeable)	
Recovery processing time restriction	O (Not changeable)	

*1 Fujitsu-specific function

Table E.1 SCSI interface function specifications (5 of 8)

O: Provided ×: Not provided

Item		Specification
Command (Group 0)	MODE SELECT (continued) (15)	
	Page 8: Caching parameter	O (20 B: Savable)
	DISC (discontinuity)	O (Not changeable)
	MS (Multiple Select)	×
	WCE (Write Cache Enable)	O (Changeable)
	RCD (Read Cache Disable)	O (Changeable)
	Demand Read Retention Priority	×
	Write Retention Priority	×
	Prefetch suppression block count	×
	Minimum prefetch	×
	Maximum prefetch	O (Not changeable)
	Maximum prefetch restriction block count	O (Not changeable)
	Number of segments	O (Changeable)
	Buffer segment size	×
	Page A: Control mode page	O (8 B: Savable)
	RLEC (Report Log Exception Condition)	× (Specified value ignored)
	Queue Algorithm modifier	O (Changeable)
	QErr (Queue Error management)	O (Changeable)
	DQue (Disable Queuing)	O (Changeable)
	EECA (Enable Extended Contingent Allegiance)	×
	RAENP (Ready AEN Permission)	×
	UAAENP (Unit Attention AEN Permission)	×
	EAENP (Error Attention AEN Permission)	×
	Ready AEN Holdoff period	×
	Page 21: Additional error recovery [VU] (*1)	O (4 B: Savable)
	RPR (Rounded Parameter Report)	×
	Retry count at seek error	O (Changeable)
	RESERVE (16)	O
	Third party reserve function	O
	Extent reserve function	×
Reserve condition change function (Superseding reserve)	O	

*1 Fujitsu-specific function

Table E.1 SCSI interface function specifications (6 of 8)

O: Provided ×: Not provided

	Item	Specification
Command (Group 0)	RELEASE (17)	O
	Third party reserve function	O
	Extent reserve function	×
	COPY (18)	×
	MODE SENSE (1A)	O
	DBD (Disable Block Descriptor)	O
	Page 0 (Non-Parameter Transfer)	O
	START/STOP UNIT (1B)	O
	Immed (Immediate)	O
	RECEIVE DIAGNOSTIC RESULTS (1C)	O
	SEND DIAGNOSTIC (1D)	O
	PF (Page Format)	O (Specified value ignored)
	Self Test (Self Test)	O
	DevOfI (Device Offline)	×
	Unit OfI (Unit Offline)	O
	Page 0: Specifiable page code listing	O
Page 40: Logical/physical address conversion	O	
Page 80: Mode setup state report [VU]*1	×	
Page 81: Device-specific information [VU]*1	×	
REVENT/ALLOW MEDIUM REMOVAL (1E)	×	
Command (Group 1)	SEARCH BLOCK HIGH [VU]*1 (20)	×
	SEARCH BLOCK EQUAL [VU]*1 (21)	×
	SEARCH BLOCK LOW [VU]*1 (22)	×
	READ CAPACITY (25)	O
	PMI (Parial Medium Indicator)	O
	READ EXTENDED (28)	O
Command (Group 0)	WRITE EXTENDED (2A)	O
	SEEK EXTENDED (2B)	O
	WRITE & VERIFY (2E)	O
	BytChk (Byte Check)	×
	VERIFY (2F)	O
	Third party reserve function	O
	SEARCH DATA HIGH (30)	×
SEARCH DATA EQUAL (31)	×	

*1 Fujitsu-specific function

Table E.1 SCSI interface function specifications (7 of 8)

O: Provided ×: Not provided

Item		Specification
Command (Group 0)	SEARCH DATA LOW (32)	×
	SET LIMITS (33)	×
	PRE-FETCH (34)	×
	SYNCHRONIZE CACHE (35)	O
	LOCK/UNLOCK CACHE (36)	×
	READ DEFECT DATA (37)	O
	Block address format	O
	Byte-distance-from-index format	O
	Physical sector address format	O
	COMPARE (39)	×
	COPY & VERIFY (3A)	×
	WRITE BUFFER (3B)	O
	Mode='000' (Header & Data Mode)	O
	Mode='001' (Header & Data Mode with Address)	O
	Mode='010' (Data Mode)	O
	Mode='100' (Download Microcode)	O
	Mode='101' (Download Microcode and Save)	O
	READ BUFFER (3C)	O
	Mode='000' (Header & Data Mode)	O
	Mode='001' (Header & Data Mode with Address)	O
Mode='010' (Data Mode)	O	
Mode='011' (Descriptor Mode)	O	
READ LONG (3E)	O	
CORRCT (Corrected)	×	
WRITE LONG (3F)	O	
Command (Group 2)	CHANGE DEFINITION (40)	O
	WRITE SAME (41)	O
	LBdata (Logical Block Data)	O
	LBdata (Physical Block Data)	×
	LOG SELECT (4C)	×
	LOG SENSE (4D)	×
	MODE SELECT EXTENDED (55)	O
	RESERVE EXTENDED (56)	O
RESERVE EXTENDED (57)	O	
MODE SENSE EXTENDED (5A)	O	

*1 Fujitsu-specific function

Table E.1 SCSI interface function specifications (8 of 8)

O: Provided x: Not provided

Item		Specification
Command (Group 6)	DIAGNOSTIC WRITE DATA [VU] (*1) (C1)	x
	DIAGNOSTIC READ DATA [VU] (*1) (C2)	x
	FORMAT ID [VU] (*1) (C4)	x
	SPACE ID & READ DATA [VU] (*1) (C6)	x
	DISPLACED ID [VU] (*1) (C8)	x
	READ ID [VU] (*1) (CA)	x
	DIAGNOSTIC FORMAT ID [VU] (*1) (CD)	x
	DIAGNOSTIC READ ID [VU] (*1) (CE)	x
	WRITE RAM [VU] (*1) (D1)	x
	READ RAM [VU] (*1) (D2)	x
	RECOVER DATA [VU] (*1) (D8)	x
	RECOVER ID [VU] (*1) (DA)	x
Command (Group 6)	Defective sector slip processing function	O
	Command link function	O
	Relative block addressing function	x
	Untagged queuing function	O
	Tagged command queuing function	O
	Contingent Allegiance (CA)	O (Sense held for each INIT)
	Extended Contingent Allegiance (ECA)	x
	Asynchronous condition notification feature (AEN: async. event notification)	x
	Read-ahead cache feature	O
	Cache control feature	x
	DPO (disable page out)	x
FUA (force unit access)	x	
Write cache feature	O	
Status	GOOD (00)	O
	CHECK CONDITION (02)	O
	CONDITION MET (04)	O
	BUSY (08)	O
	INTERMEDIATE (10)	O
	INTERMEDIATE CONDITION MET (14)	O
	RESERVATION CONFLICT (18)	O
	COMMAND TERMINATED (22)	O
	QUEUE FULL (28)	O
Sense data	Non-extended format	x
	Extended format	O (48 bytes long)
CCS (common command set) conformity		O (Rev. 4.b)

*1 Fujitsu-specific function

Index

– SYNC 4-19
– Spindle Sync 4-19
16-bit SCSI 1-2, 4-15, 5-7
8-bit SCSI 1-2

A

AC noise filter 4-14
Actuator 1-9
Additional error recovery parameters 5-21
Addressing of peripheral device 1-11
Air circulation 1-9
Air pressure adjustment hole 4-10
Allowable input current 4-12
Allowable input voltage 4-12
Alternate area 3-11
Alternate block allocation 3-12, 3-13, 3-14
Alternate cylinder 3-5
Alternate sector treatment 3-13
Alternate spare area 3-5
Atitute 2-4
Automatic alternate block allocation 3-16
Automatic alternate block reassignment 1-4
Average DE surface temperature 2-6

B

BCRC 3-9
Basic operation test 6-5
Block address of user space 3-11
Block descriptor 5-18
Block descriptor 5-18
Breather filter 1-9

C

C list 3-12
CE space 3-5
CN1 4-16, C-2, C-3
CN6 B-2
CN7 4-17, B-3
CSS 1-8
Cable connection 4-21
Cable connection requirements 4-24
Cable length 4-26
Caching parameters 5-23
Changing revision number at factory shipment 6-7
Check before mounting 5-11
Check items at illegal operation 5-14
Checking SCSI connection 5-15, 5-16, 5-17
Checking at abnormal end 5-18
Checking procedure 5-15

Command queuing feature 1-3
Compactness 1-2
Confirming Operations after Installation for use 5-13
Confirming initial operations 5-13
Connection of terminating resistor 5-9
Connection requirements 4-14
Connections 5-3
Connector signal Allocation C-2
Connector signal allocation C-1
Connectors of terminals location 4-14, 4-22
Contact start/stop 1-8
Continuous block processing 1-3
Control mode parameters 5-23
Controller circuit 1-9
Current waveform 4-11
Cylinder configuration 3-1, 3-2
Cylinder skew 3-7

D

D list 3-12
DC ground 4-27
DE 1-9
DISCON 4-20
Data field 3-8
Data format 3-1
Data security at power-failure 2-6
Data space 3-1
Default 5-10
Defect Management 3-12
Defect list 3-12
Defective block slipping 1-4
Delivery 5-2
Diagnosis 1-4
Diagnostics 6-1
Diagnostics and maintenance 6-1
Disable terminator connection 4-20
Disconnecting drives 5-24
Disconnection 5-22
Disk configuration 1-8
Disk enclosure 1-9
Disks 1-5
Drive parameter 5-19
Drive parameter 5-19

E

ECC 3-9
Environmental requirements 2-4
Environmental specifications 2-4
Environmental temperature 4-8

Error indication of self-diagnostics 6-3
Error rate 2-5
Error recovery 1-4
Error recovery during self-diagnostics 6-3
Error recovery parameters 5-21
External dimensions 4-1, 4-2, 4-3, 4-4, 4-5
External inputs for operating terminating resistor
4-20
External magnetic field 4-9
External operator panel 4-27, 4-28
External operator panel circuit example 4-28
External operator panel connector 4-16, 4-17
External operator panel connector signals 4-18

F

FG 4-27
FORMAT UNIT command 5-19
Format capacity 3-10
Format parameter 5-19
Formatting 2-6
Function specifications 2-2

G

G list 3-12
G1 3-8
Gaps 3-8
General description 1-1
General notes 5-1
General notes 5-1

H

Hardware function test 6-2
Head configuration 1-8
Heads 1-8
High speed data transfer 1-2
High speed positioning 1-4
Humidity 2-4

I

Indicating revision number 6-7
Initial self-diagnostics 6-2
Input signal 4-19, 4-20
Installation 5-1, 5-2
Installation requirements 4-1
Interface connector 4-15
Interface test 6-5
Internal test space 3-4

L

LBA 3-8
LUN 1-11
Large capacity 1-4
Leak magnetic flux 4-9

Limitation of side-mounting 4-6
Location of connector A-2
Logical data block addressing 3-11
Low noise 1-5
Low power consumption 1-5
Low vibration 1-5

M

MODE SELECT EXTENDED command 5-18
MODE SELECT command 5-18
MPU 1-8
MR 1-8
MTBF 2-5
MTTR 2-5
Magnet - Resistive 1-8
Maintenance information 6-5
Maintenance requirements 6-5
Microcode downloading 1-8
Microprocessing unit 1-9
Mode setting 5-8
Mode settings 5-10
Model name 2-1, D-1, D-2
Motor start mode 5-8
Motor start mode setting 5-8
Mounting drives 5-11
Mounting frame structure 4-6
Mounting orientation 4-6
Mounting procedure 5-11
Mounting requirements 4-1

N

Noise filter 4-13
Notes on mounting 4-6

O

Online self-diagnostics 6-3
Outer view 1-5, 1-6, 1-7
Output signal 4-19
Output signal for external LED 4-19

P

PAD 1 3-9
PAD 2 3-9
PAD 3 3-9
PLO sync 3-8
PR4ML 1-8
Packaging 5-2
Partial response class 4 maximum likelihood 1-9
Parts that can be replaced in the field 6-6
Physical sector allocation 3-6
Positioning error rate 2-5
Power cable 4-27
Power on/off sequence 4-11, 4-12
Power requirements 2-4, 4-11

Power supply 4-15
Power supply connector 4-15, 4-16, 4-23
Prefetches 1-3
Preparing after Installation for use 5-13
Preventive maintenance 6-5
Product number 2-1
Programmable data block length 1-4
Programmable multi-segment data buffer 1-3

R

Random read test 6-5
Read circuit 1-9
Read-ahead cache feature 1-3
Read/write error recovery parameter 5-21
Recirculation filter 1-9
Recommended components for connection 4-21, 4-24
Reconnection parameter 5-22
Release function 1-3
Reliability 2-5
Reporting result of self-diagnostics 6-3
Reserve function 1-3
Revision label 6-7
Revision numbers 6-7

S

SA space 3-4
SB 3-8
SCA2 type SCSI model 4-22
SCSI ID 1-11
SCSI ID external input 4-18
SCSI bus configuration 1-10
SCSI bus connection 5-3
SCSI bus test 6-5
SCSI cable 4-25
SCSI cable connector 4-25
SCSI cable requirements 4-26
SCSI cable termination 4-27
SCSI connector 4-15
SCSI connector 4-23
SCSI function specifications 2-7
SCSI interface functions E-1
SCSI interface functions specifications E-2
SCSI/CCS standard 1-2
SG 4-27
SG terminal 4-16
Sector format 3-8
Sector slip treatment 3-12
Seek test 6-2
Self-diagnostics 6-1
Sequential read test 6-5
Sequential starting of spindle motor 4-13
Service clearance area 4-9
Service life 2-6, 6-5
Service system and repairs 6-6

Setting SCSI terminal 5-8
Setting SCSI terminal power supply 5-8
Setting check list 5-11
Setting parameters 5-20
Setting terminals 5-5, 5-6, B-1, B-2
Setting terminals position 5-5
Shock 2-4
Spare sector 3-5
Specifications 2-1
Specifying CDB 5-19
Spindle motor 1-8
Standard features 1-2
Start/Stop of spindle motor 1-4
Storage 5-2
Structure 1-5
Surface temperature check point 4-8
Surface temperature measurement points 4-8
Sync byte 3-8
System configuration 1-10
System space 3-4

T

TERMON 4-20
TRNG 3-8
Temperature 2-4
Terminating resistor setting 5-9
Terminator on 4-20
Test programs 6-4
Track capacity 3-3
Track format 3-6
Track skew 3-7
Trainig 3-8

U

Unpackaging
Unrecoverable error rate 2-5
User space 3-4

V

Verify error recovery parameters 5-21
Vibration 2-4

W

Wide range 1-5
Write circuit 1-9
Write protect 5-9
Write protect setting 5-9
Write/read test 6-2

Z

Zone layout 3-3

Comments concerning this manual can be directed to one of the following addresses:

FUJITSU LIMITED
Business Planning
Solid Square East Tower
580 Horikawa-cho, Saiwai-ku, Kawasaki,
210-0913, Japan
TEL: 81-44-540-4056
FAX: 81-44-540-4123

FUJITSU COMPUTER PRODUCTS OF AMERICA, INC.
2904 Orchard Parkway, San Jose,
California 95134-2009, U.S.A.
TEL: 1-408-432-6333
FAX: 1-408-432-3908

FUJITSU CANADA INC.
2800 Matheson Blvd. East, Mississauga, Toronto,
Ontario L4W 4X5, CANADA
TEL: 1-905-602-5454
FAX: 1-905-602-5457

FUJITSU EUROPE LIMITED
2, Longwalk Road, Stockley Park, Uxbridge,
Middlesex UB11 1AB, ENGLAND
TEL: 44-81-573-4444
FAX: 44-81-573-2643

FUJITSU DEUTSCHLAND GmbH
Frankfurter Ring 211, 80807 München, GERMANY
TEL: 49-89-323780
FAX: 49-89-32378100

FUJITSU NORDIC AB
Kung Hans Väg 12, S-192 68 Sollentuna, SWEDEN
TEL: 46-8-626-6000
FAX: 46-8-626-6711

FUJITSU ITALIA S.p.A.
Via Nazario Sauro, 38 20099 Sesto S. Giovanni (MI), ITALY
TEL: 39-2-26294-1
FAX: 39-2-26294-201

FUJITSU FRANCE S.A.
1, Place des Etas-Unis, SILIC 310,
94588 Rungis Cedex, FRANCE
TEL: 33-1-41-80-38-80
FAX: 33-1-41-80-38-66

FUJITSU ICL ESPAÑA S.A.
Almagro 40, 28010 Madrid, SPAIN
TEL: 34-1-581-8100
FAX: 34-1-581-8125

FUJITSU AUSTRALIA LIMITED
475 Victoria Avenue, Chatswood, 2067 N.S.W, AUSTRALIA
TEL: 61-2-410-4555
FAX: 61-2-411-8603, 8362

FUJITSU HONG KONG LTD.
Room 2521, Sun Hung Kai Centre, 30 Harbour Road, HONG
HONG
TEL: 852-2827-5780
FAX: 852-2827-4724

FUJITSU KOREA LTD.
9th Floor, Korean Reinsurance Building, 80, Susong-Dong,
Chongro-Gu, Seoul Special City, Republic of KOREA
TEL: 82-2-739-3281
FAX: 82-2-739-3294

FUJITSU COMPUTERS (SINGAPORE) PTE. LTD
20 Science Park Road #03-01,
TELETECH PARK SINGAPORE SCIENCE PARK II,
Singapore 117674
TEL: 65-777-6577
FAX: 65-771-5499

FUJITSU TAIWAN LTD.
8F, Hun Tai Center, 168-170, Tun Hwa North Road,
1st Sec., Taipei, TAIWAN
TEL: 886-2-545-7700
FAX: 886-2-717-4644

