

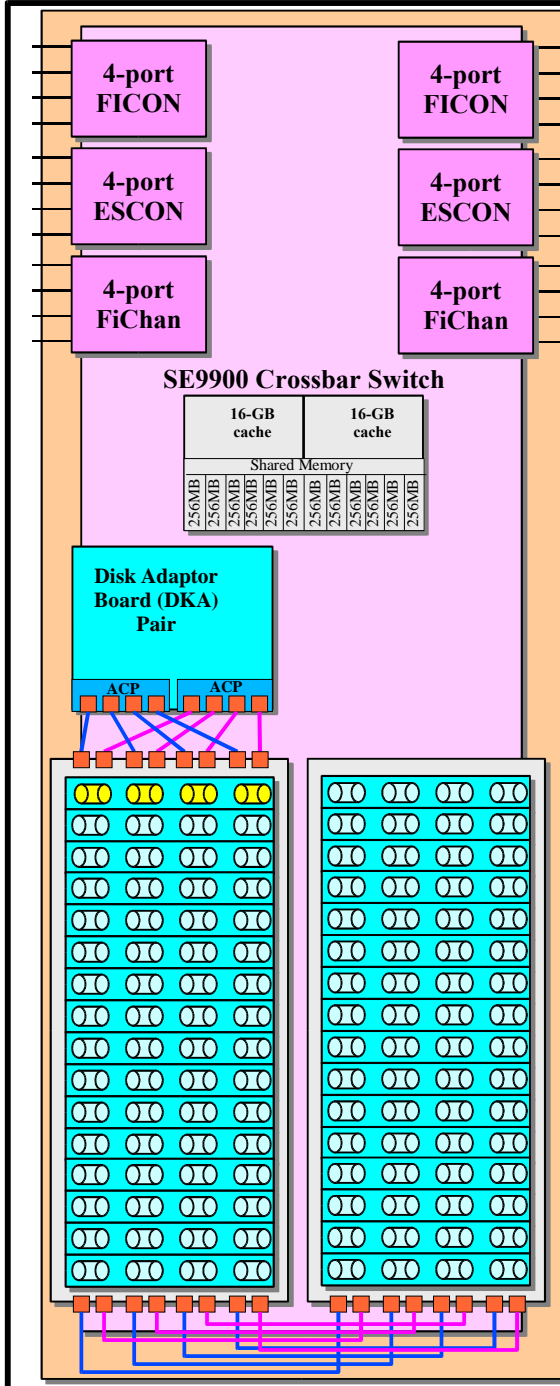
Sun StorEdge SE9970





Full Configuration:

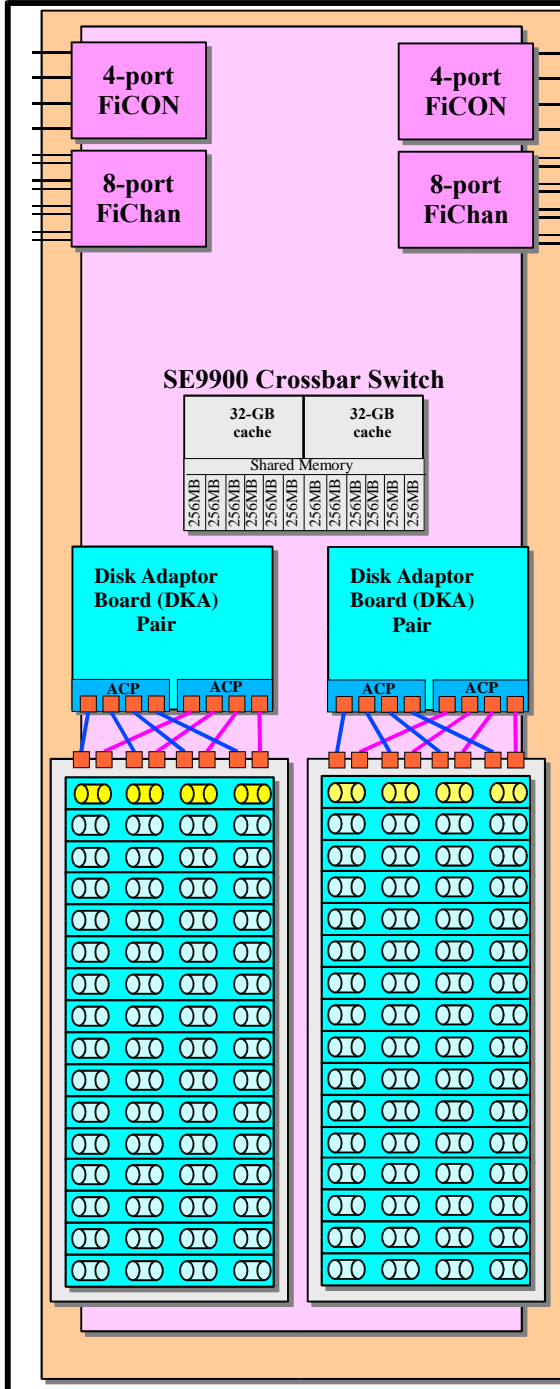
- 128 x 146 GB / 73 GB / 36 GB Disks (18.68 TB / 9.2 TB / 4.6 TB raw)
 - 4 or 8 of which can be global hot spares
- 48 Host interfaces
- 6 GB Controller Memory
- 64 GB cache

**SE9970
Component
Details
Configured
With
(1) DKA Pair**



 1 x 146-GB (10k RPM) Spare AND / OR
 1 x 73-GB (10k RPM) Spare AND / OR
 1 x 36-GB (15k RPM) Spare
 (must be same speed as data disk)


 4 x 146-GB (10k RPM) RAID Group AND / OR
 4 x 73-GB (10k / 15k RPM) RAID Group AND / OR
 4 x 36-GB (15k RPM) RAID Group




**SE9970
Component
Details
Configured
With
(2) DKA Pairs**

Note:

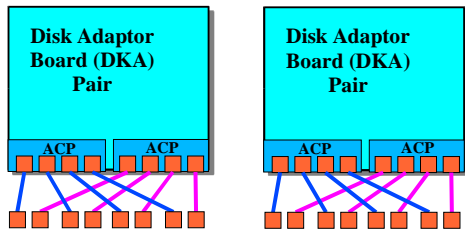
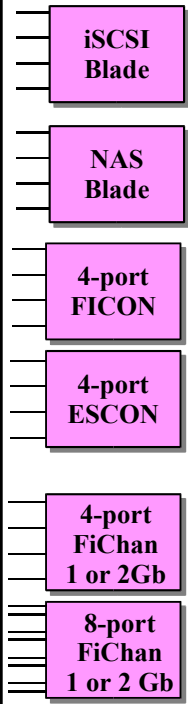
When the second DKA pair is utilized, the CHIP pairs are reduced from three pairs to two pairs. Required when using 7d+1p configurations.



 1 x 146-GB (10k RPM) Spare AND / OR
 1 x 73-GB (10k RPM) Spare AND / OR
 1 x 36-GB (15k RPM) Spare
 (must be same speed as data disk being spared)



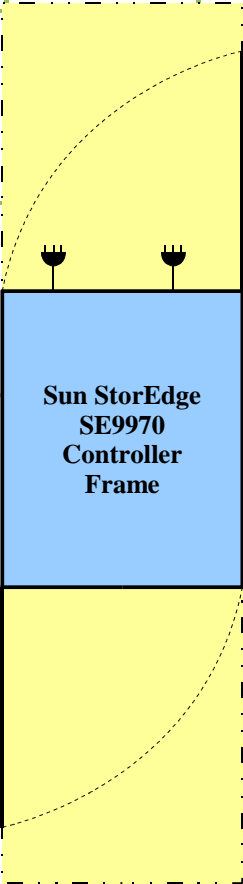
 8 and / or 4 x 146-GB (10k RPM) RAID Group AND / OR
 8 and / or 4 x 73-GB (10k / 15k RPM) RAID Group AND / OR
 8 and / or 4 x 36-GB (15k RPM) RAID Group



2 ft x 2 ft
Tile

Power
Single-Phase:
Power cords are
RussellStol 9P53U2
200/208/230 VAC
50 Amps
3-Phase 60Hz:
Power cords are
Russell Stol 3760PDG or
DDK 115J-AP8508
200/208/230 VAC
30 Amp

Cabinet
Dimensions:
31" (782mm) Width
31.5" (800mm) Depth
73" (1860mm) Height
Clearances:
31.5" (800mm) Front
31.5" (800mm) Back



NEMA 5-15
100/120 VAC
15 amps



Remote Console

Keyboard

**Sun Workstation
or Wintel PC
to run HiCommand
(Customer
Supplied)**



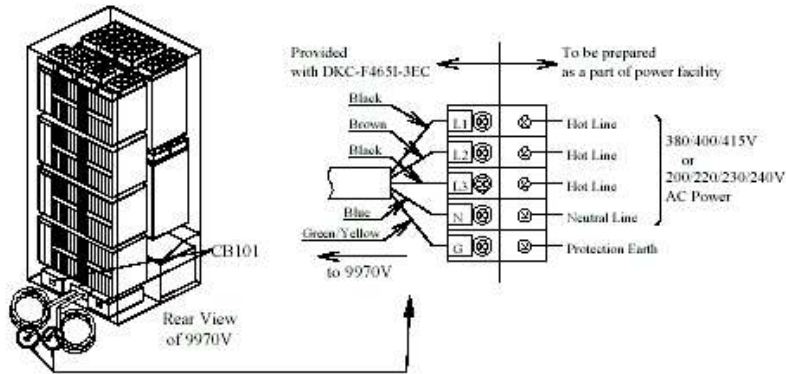


Figure 5.19 Power Plugs for Three-Phase 9970V Subsystem (Europe)

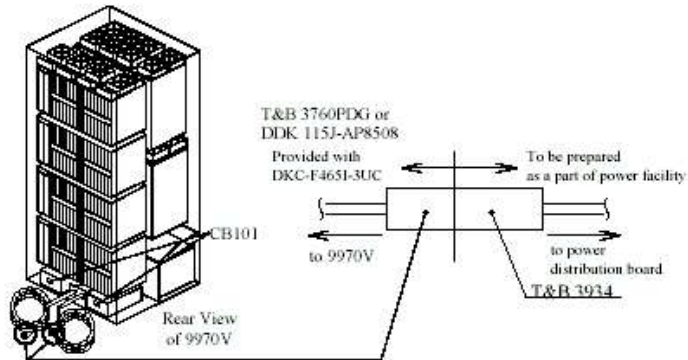


Figure 5.20 Power Plugs for Three-Phase 9970V Subsystem (USA)

Table 5.8 9980V and 9970V Three-Phase Features

Model	Frame	Feature Number	Description	Comments
9980V	Controller	DKC-F460I-3PS	Breaker Box Kit for 3-Phase/60A	For three-phase/60A power, the controller frame receives its input power from the first disk array frame. All controller single-phase features must be removed to allow three-phase power for the controller.
	Disk Array	DKU-F455I-3PS	AC Box Kit for 3-Phase/60A	Consists of two AC boxes.
	Disk Array	DKU-F455I-3EC	Power Cable Kit for 3-Phase/60A	50 Hz for Europe
	Disk Array	DKU-F455I-3UC	Power Cable Kit for 3-Phase/60A	60 Hz for USA
	Controller	DKC-F460I-3PSD	Breaker Box Kit for 3-Phase/30A	For three-phase/30A power, the controller frame receives its input power from the power distributor. Therefore it is necessary to attach one power cable kit, AC box kit, and two 3-phase/30A plugs.
	Disk Array	DKU-F455I-3PSD	AC Box Kit for 3-Phase/30A	Necessary when DKU455I is connected to 3-phase/30A power source.
	Disk Array	DKU-F455I-3ECD	Power Cable Kit for 3-Phase/30A	50 Hz for Europe, consists of two cables of 3-phase/30A
	Disk Array	DKU-F455I-3UCD	Power Cable Kit for 3-Phase/30A	60 Hz for USA, consists of two cables of 3-phase/30A
	9970V	The 9970V consists of a single frame.	DKC-F465I-3PS	AC Box Kit for 3-Phase
DKU-F465I-3EC			Power Cable Kit for 3-Phase	50 Hz for Europe
DKU-F465I-3UC			Power Cable Kit for 3-Phase	60 Hz for USA

Table 5.9 Current Rating, Power Plug, Receptacle, and Connector for Three-Phase 9900V

Item	9970V	9980V DKC	9980V DKU
Hitachi Base Unit	DKC465I-5	DKC460I-5	DKU455I-18
Circuit Current Rating (amps)	30A	(from DKU)	60A 30A
Hitachi Feature(s) Required for 60A	N/A	DKC-F460I-3PS	DKU-F455I-3PS DKU-F455I-3UC
Hitachi Feature(s) Required for 30A	DKC-F465I-3PS DKC-F465I-3UC	DKC-F460I-3PSD DKC-F460I-3UCD	DKU-F455I-3PSD DKC-F460I-3UCD
60-Hz Power Plug (or equiv.) Included with the product.	T&B 3760PDG, or DDK 115J-AP8508	For 60A: N/A For 30A: T&B 3760PDG, or DDK 115J-AP8508	For 60A: T&B RS460P9W For 30A: T&B 3760PDG, or DDK 115J-AP8508
Box-Type Receptacle (or equiv.) (not provided)	T&B 3754 (2 per single frame)	For 60A: N/A For 30A: T&B 3754 (2 per DKC)	For 60A: T&B RS460P9W (2 per DKU) (or Hubbell HBL460R9W, or Leviton 460R9W) For 30A: T&B 3754 (2 per DKU)
Inline Connector (or equiv.) (not provided)	T&B 3934 (2 per single frame)	For 60A: N/A For 30A: T&B 3934 (2 per DKC)	For 60A: T&B RS460C9W (2 per DKU) (or Hubbell HBL460C9W, or Leviton 460C9W) For 30A: T&B 3934 (2 per DKU)
Back Box for Receptacle. Note: Use T&B back box with T&B receptacle, Hubbell back box with Hubbell receptacle, etc.	Included	For 60A: N/A For 30A: included	For 60A: T&B JB6-B125 plus T&B AA5L 20-degree-angle adapter (or Hubbell BB601W, Leviton BX60-V) For 30A: included

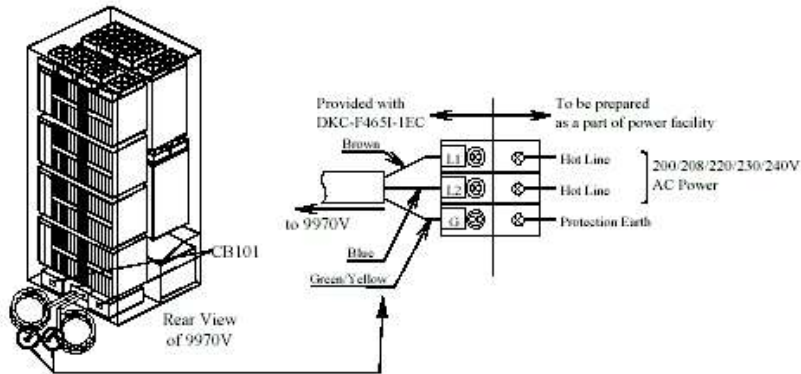


Figure 5.26 Power Plugs for a Single-Phase 9970V Subsystem (Europe)

Table 5.12 9900V Single-Phase Features

Model	Frame	Feature Number	Description
9980V	Controller	DKC-F460I-PS	AC Box Kit for Single Phase/40A
		DKC-F460I-EC	Power Cable Kit for Single Phase/50A, 50 Hz for Europe
		DKC-F460I-UC	Power Cable Kit for Single Phase/50A, 60 Hz for USA
9970V	The 9970V consists of a single frame.	DKU-F455I-1PS	AC Box Kit for Single Phase/50A
		DKU-F455I-IEC	Power Cable Kit for Single Phase/50A, 50 Hz for Europe
		DKU-F455I-1UC	Power Cable Kit for Single Phase/50A, 60 Hz for USA

Table 5.13 Current Rating, Power Plug, Receptacle, and Connector for Single-Phase 9900V

Item	9970V	9980V DKC	9980V DKU
Hitachi Base Unit	DKC465I-5	DKC460I-5	DKU455I-18
Circuit Current Rating	50 A	40 A	50 A
Hitachi Feature(s) Required	DKC-F465I-1PS DKC-F465I-1UC	DKC-F460I-1PS DKC-F460I-1UC	DKU-F455I-1PS DKU-F455I-1UC
60-Hz Power Plug (or equiv.) Included with the product	T&B 9P53U2	T&B 9P53U2	T&B 9P53U2
Box-Type Receptacle (or equiv.) (not provided)	T&B 9R53U2W (2 per single frame)	T&B 9R53U2W (2 per DKC)	T&B 9R53U2W (2 per DKU)
Back Box for Receptacle	T&B 3781A	T&B 3781A	T&B 3781A
Inline Connector (or equiv.) (not provided)	T&B 9C53U2 (2 per single frame)	T&B 9C53U2 (2 per DKC)	T&B 9C53U2 (2 per DKU)

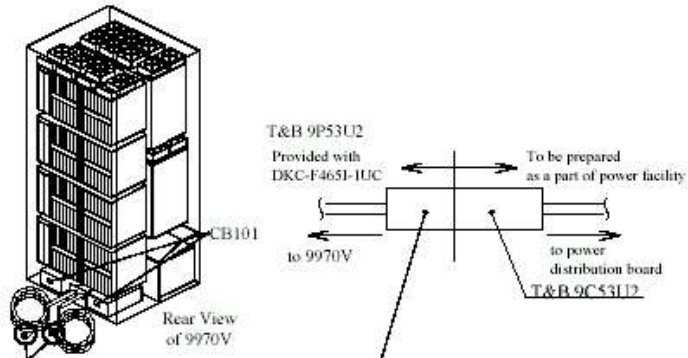
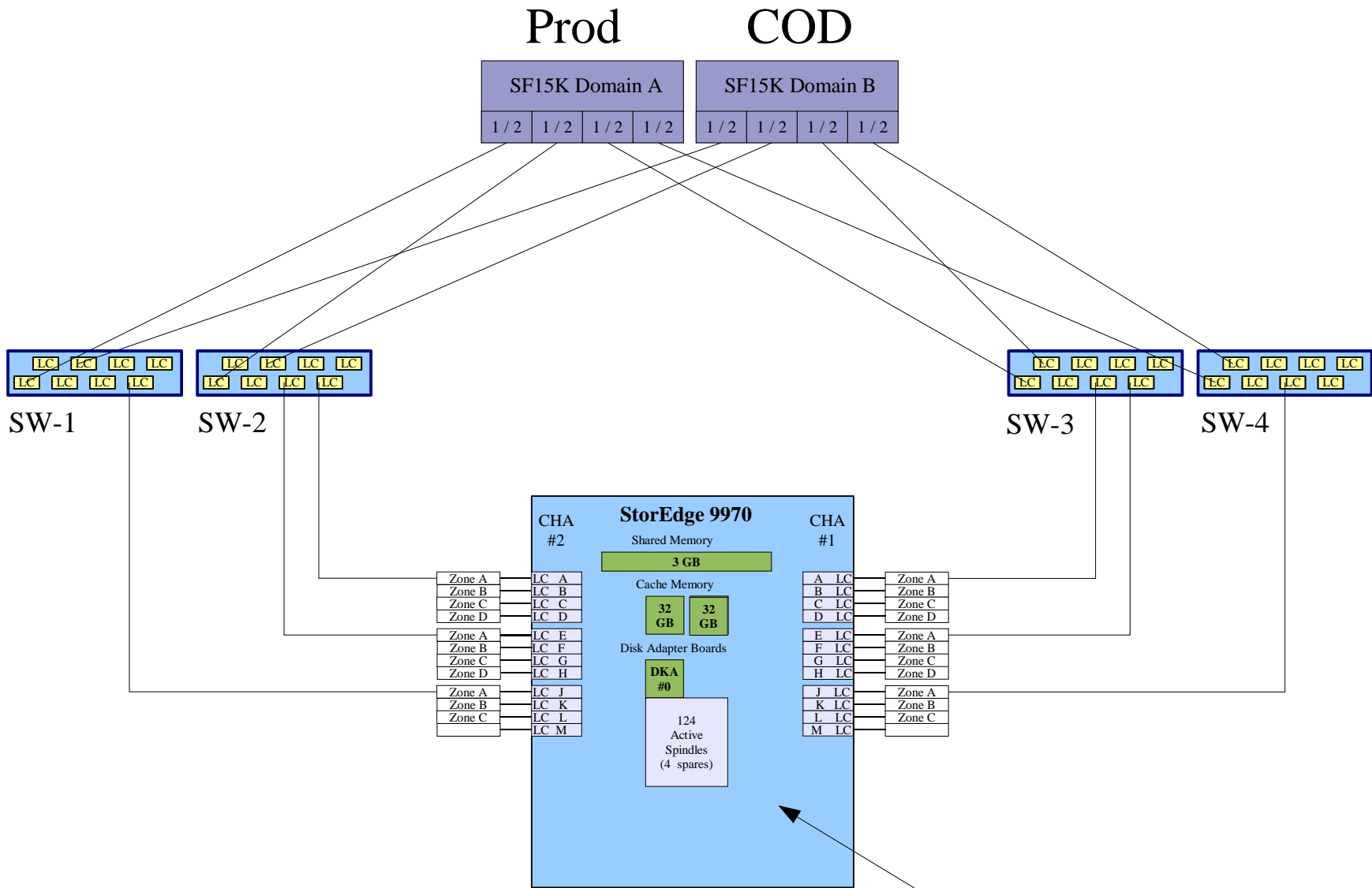


Figure 5.27 Power Plugs for a Single-Phase 9970V Subsystem (USA)

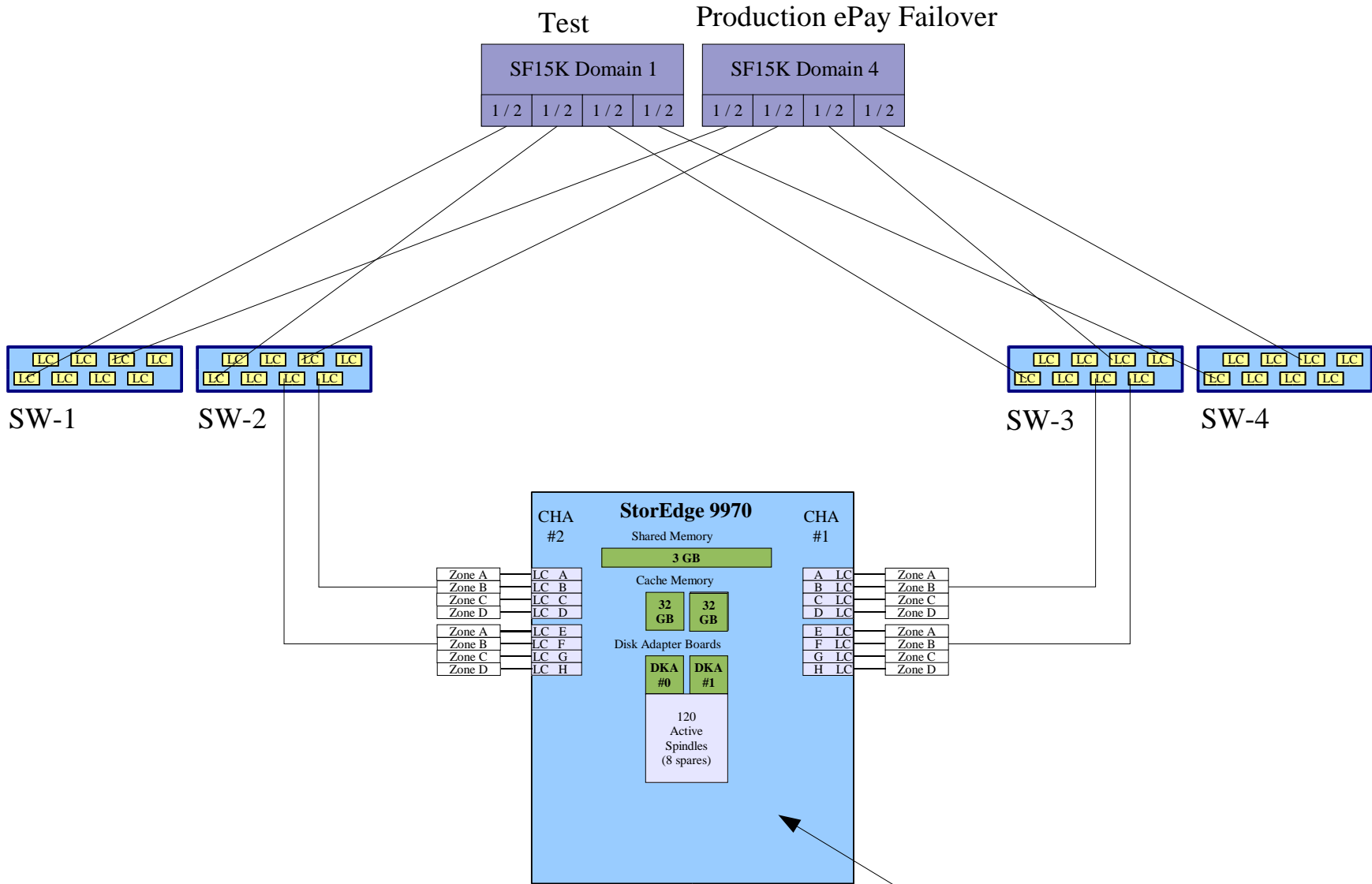
SAN Zone A Connectivity Example / Template



Adjust number of active spindles, spares, DKA, shared memory and cache



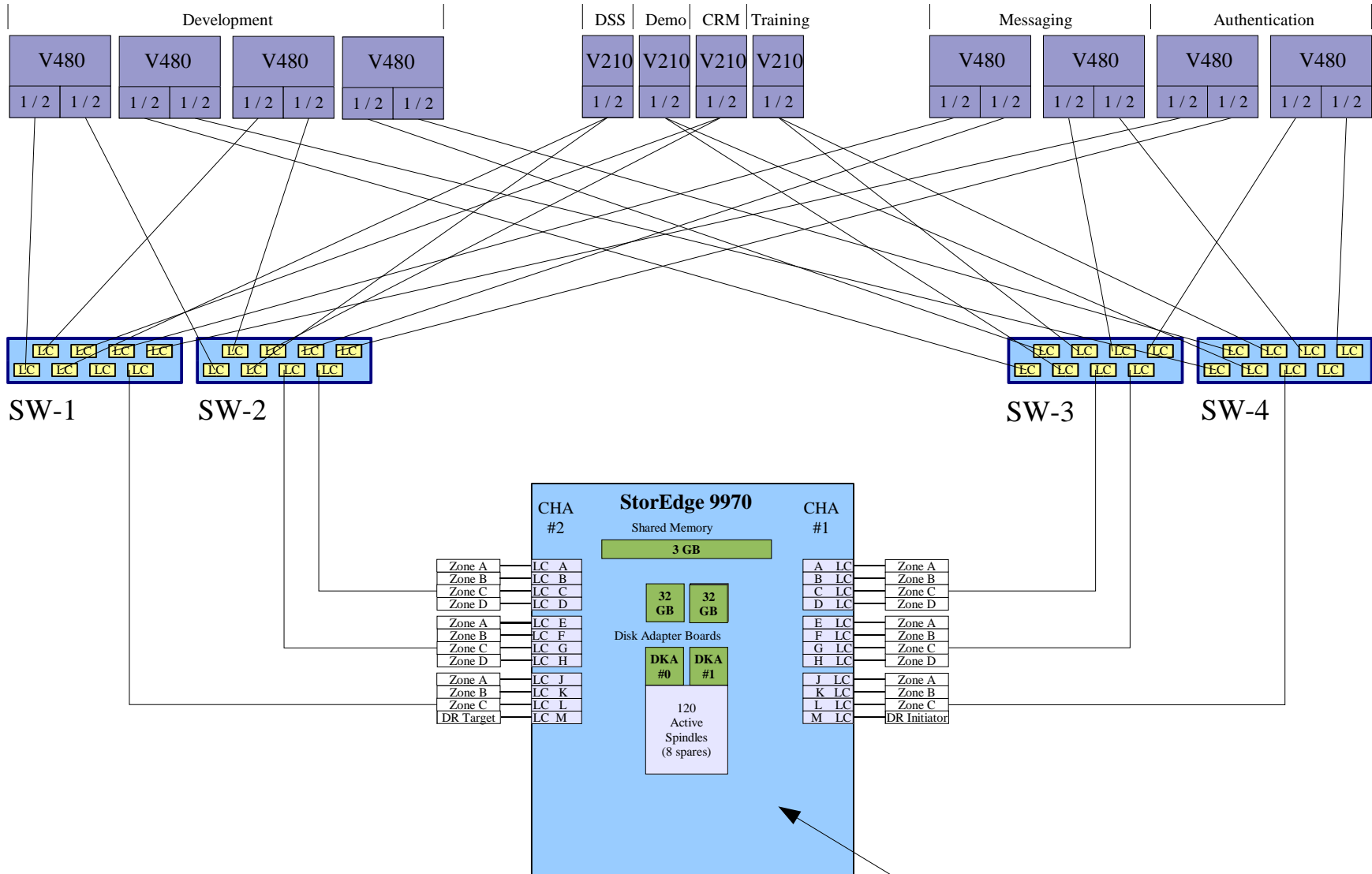
Production Test SAN Zone B Connectivity Example / Template



Adjust number of active spindles, spares, DKA, shared memory and cache



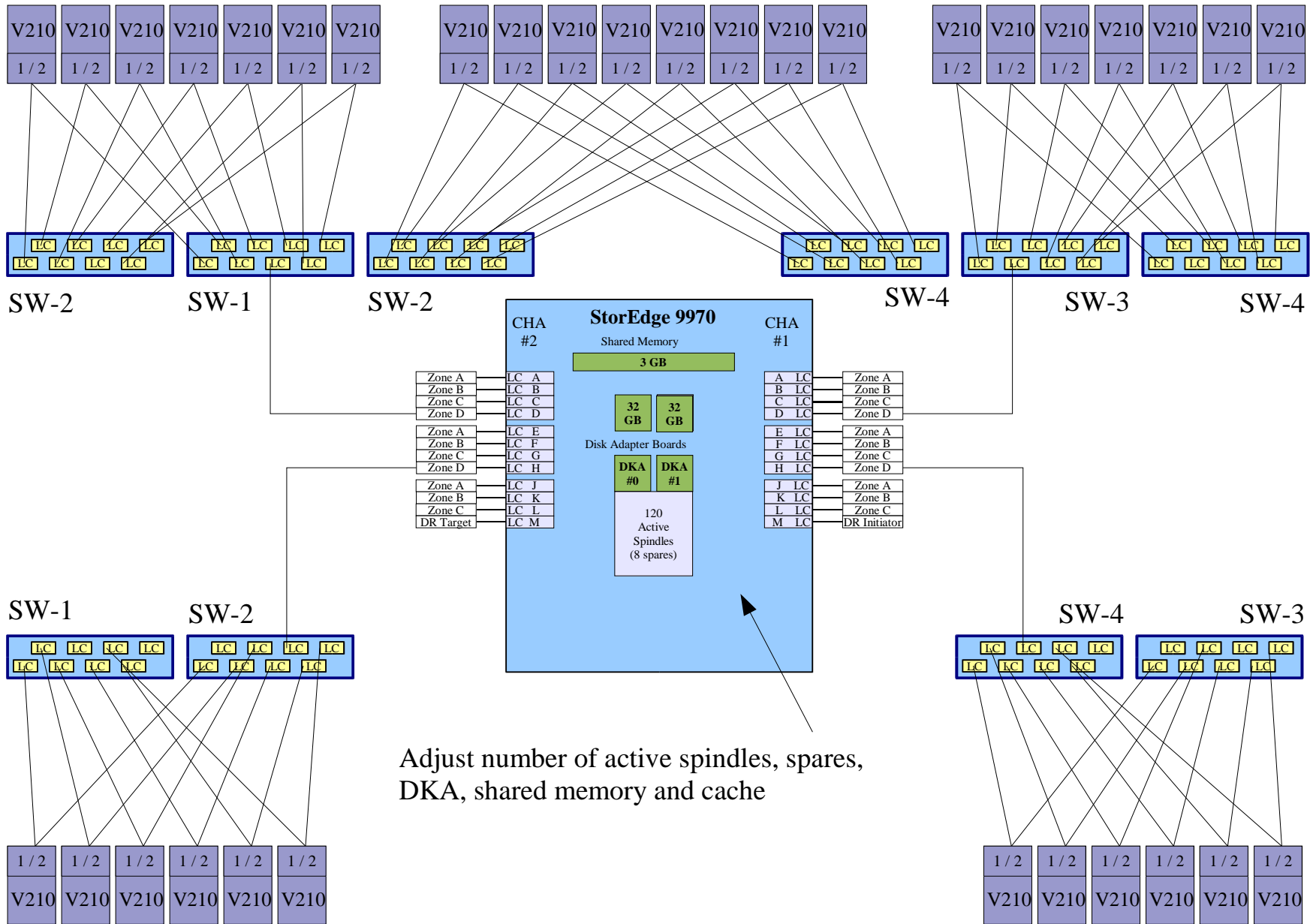
SAN Zone C Connectivity Example / Template



Adjust number of active spindles, spares, DKA, shared memory and cache



SAN Zone D Connectivity Example / Template



Adjust number of active spindles, spares, DKA, shared memory and cache

