

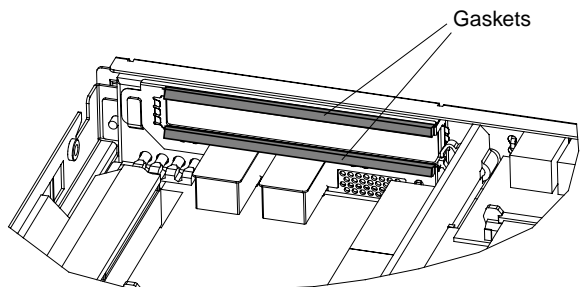
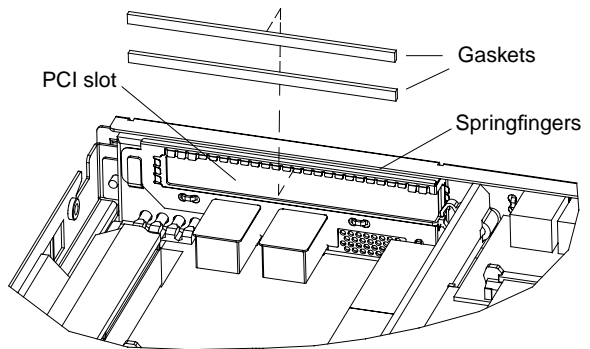
Preventing Electrostatic Discharge (ESD) When Connecting Your System Expander to a Netra™ t1 Server (1xx Series)

ESD testing has indicated that if you use a Netra t1 server as a host for your Netra E1 PCI system expander, you need to install two ESD-shielding gaskets into the Netra t1 server, as shown in the illustration.

1. **Remove the paper which covers one side of the first small foam gasket.**
2. **Press the adhesive side onto the springfingers on top of the slot where you intend to install the Netra E1 host interface card.**
3. **Remove the paper from the second small foam gasket and place it under the same slot.**

These foam gaskets will protect against electrostatic discharge.

Proceed to install your host interface card into the gasketed slot as described in your *Netra E1 PCI System Expander Installation and Maintenance Manual*, 806-6325-10.



Accessing Sun Documentation Online

The `docs.sun.com`SM web site enables you to access a select group of Sun technical documentation on the Web. You can browse the `docs.sun.com` archive or search for a specific book title or subject at:

<http://docs.sun.com>

Documentation and product information for the Netra product line is available at:

<http://www.sun.com/netra>

Ordering Sun Documentation

Fatbrain.com, an Internet professional bookstore, stocks select product documentation from Sun Microsystems, Inc. For a list of documents and how to order them, visit the Sun Documentation Center on Fatbrain.com at:

<http://www.fatbrain.com/documentation/sun>

Sun Welcomes Your Comments

Sun is interested in improving its documentation and welcomes your comments and suggestions. You can email your comments to Sun at:

docfeedback@sun.com

Please include the part number (816-0237-10) of the document in the subject line of your email.

Copyright 2001 Sun Microsystems, Inc. All rights reserved. Use is subject to license terms. Third-party software, including font technology, is copyrighted and licensed from Sun suppliers. Sun, Sun Microsystems, the Sun logo, AnswerBook2, docs.sun.com, Netra, and Solaris are trademarks, registered trademarks, or service marks of Sun Microsystems, Inc. in the U.S. and other countries. Federal Acquisitions: Commercial Software—Government Users Subject to Standard License Terms and Conditions.

Copyright 2001 Sun Microsystems, Inc. Tous droits réservés. Distribué par des licences qui en restreignent l'utilisation. Le logiciel détenu par des tiers, et qui comprend la technologie relative aux polices de caractères, est protégé par un copyright et licencié par des fournisseurs de Sun. Sun, Sun Microsystems, le logo Sun, AnswerBook2, docs.sun.com, Netra, et Solaris sont des marques de fabrique ou des marques déposées, ou marques de service, de Sun Microsystems, Inc. aux Etats-Unis et dans d'autres pays.



Please
Recycle

Sun Microsystems, Inc., 901 San Antonio Road, Palo Alto, CA 94303-4900 U.S.A.
650 960-1300, Fax 650 969-9131

