

Replacing a Sun Fire V40z CPU Card

Replacing a CPU in a Sun Fire V40z Server

1. Turn off the system, including any attached peripherals.

Refer to the *Sun Fire V20z and Sun Fire V40z Servers User Guide* for full instructions on powering off the server. It is not necessary to remove the system cover for this procedure.

2. Remove the front bezel from the server by pressing in on the rubberized buttons on each side of the bezel, then swinging the bezel top downward (see [FIGURE 1](#)).

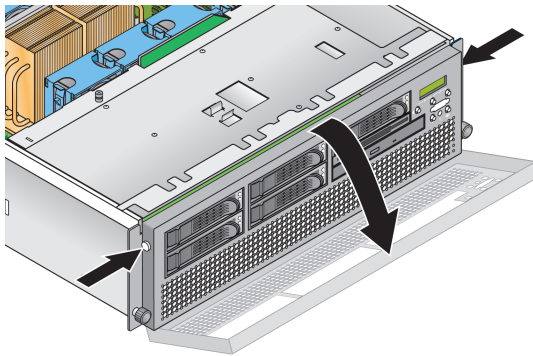


FIGURE 1 Removing the Front Bezel

3. Open the CPU card door, which is located under the hard drive bays, to access the CPU card. Press in the two buttons on the door and swing it downward so that it is open 180-degrees from the closed position (see [FIGURE 2](#)).

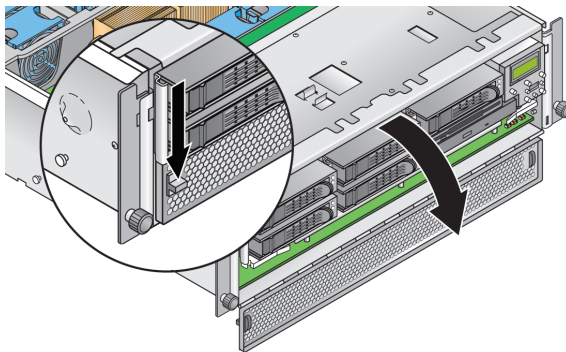


FIGURE 2 Opening the CPU Card Door

4. If you are installing the CPU card as a new option, skip to [Step 8](#).

If you are replacing an existing card, continue with the next step.



Caution – The electronic components and solder joints on the bottom of the CPU card are fragile. Use care to avoid scraping the bottom of the CPU card on the chassis or door when removing or installing it.

5. Open the two plastic levers on the CPU card corners *simultaneously* to release it from its backplane, then carefully pull it out of the server (see [FIGURE 3](#)).

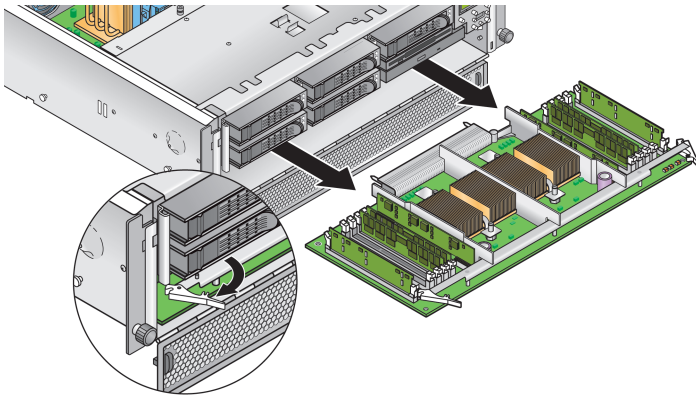


FIGURE 3 Removing the CPU Card From the Chassis

6. Set the CPU card on an ESD-resistant surface.
7. Remove any replaceable components (CPUs, memory modules, memory VRMs, and CPU VRMs) from the old CPU card and set them aside on an ESD-resistant surface.

Refer to *Sun Fire V20z and Sun Fire V40z Servers User Guide* for instructions on removing each component on the CPU card.

8. Install components to the new CPU card (either as new components, or as components you are transferring from an old CPU card).

Refer to *Sun Fire V20z and Sun Fire V40z Servers User Guide* for instructions on installing each component on the CPU card.

9. Install the new CPU card into the server (see [FIGURE 4](#)):
 - a. Carefully align the rear corners of the CPU card with the plastic alignment tracks inside the server chassis, then slide the CPU card into the tracks.
 - b. Press in firmly and evenly on both corners of the CPU card until it engages the backplane.
 - c. Lock down the two plastic latches on the corners of the CPU card to secure it in place.

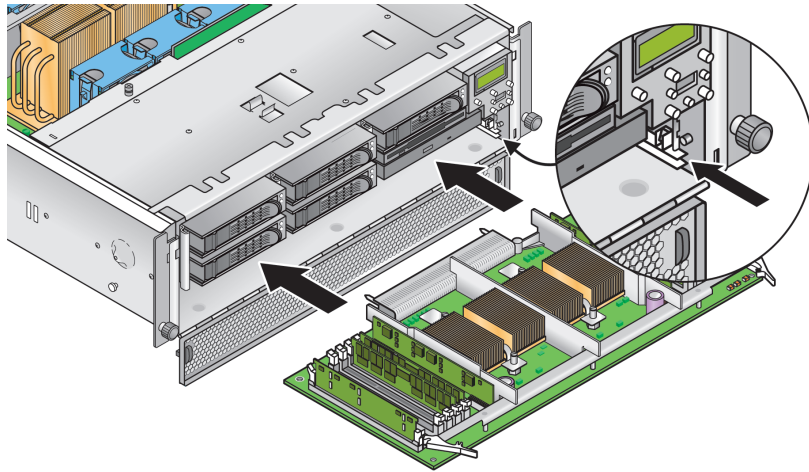


FIGURE 4 Installing the CPU Card Into the Chassis

10. Close the CPU door.
11. Replace the front bezel onto the server.

Part Number: 817-5339-10
May, 2004, Revision A

Copyright 2004 Sun Microsystems, Inc. All rights reserved. Use is subject to license terms. Third-party software, including font technology, is copyrighted and licensed from Sun suppliers. Portions may be derived from Berkeley BSD systems, licensed from U. of CA. Sun, Sun Microsystems, the Sun logo, and Solaris are trademarks or registered trademarks of Sun Microsystems, Inc. in the U.S. and in other countries. All SPARC trademarks are used under license and are trademarks or registered trademarks of SPARC International, Inc. in the U.S. and in other countries. U.S. Government Rights—Commercial use. Government users are subject to the Sun Microsystems, Inc. standard license agreement and applicable provisions of the FAR and its supplements.

Copyright 2004 Sun Microsystems, Inc. Tous droits réservés. Distribué par des licences qui en restreignent l'utilisation. Le logiciel détenu par des tiers, et qui comprend la technologie relative aux polices de caractères, est protégé par un copyright et licencié par des fournisseurs de Sun. Des parties de ce produit pourront être dérivées des systèmes Berkeley BSD licenciés par l'Université de Californie. Sun, Sun Microsystems, le logo Sun, et Solaris sont des marques de fabrique ou des marques déposées de Sun Microsystems, Inc. aux Etats-Unis et dans d'autres pays. Toutes les marques SPARC sont utilisées sous licence et sont des marques de fabrique ou des marques déposées de SPARC International, Inc. aux Etats-Unis et dans d'autres pays.