

Replacing a Sun Fire V20z or Sun Fire V40z Power Supply or Power-Supply Cage

This document contains:

- [“To Replace a Power Supply in a Sun Fire V20z Server”](#) on page 1
- [“To Replace a Power Supply or Power-Supply Cage in a Sun Fire V40z Server”](#) on page 4

Refer to the Service Label, on the inside of the chassis cover, for the location of the component.

To Replace a Power Supply in a Sun Fire V20z Server

1. Turn off the system, including any attached peripherals.
2. While pressing the cover latch release button with your right thumb (A), slide the cover towards the rear of the chassis until it contacts the stop (B).
3. Lift the cover up and remove it.

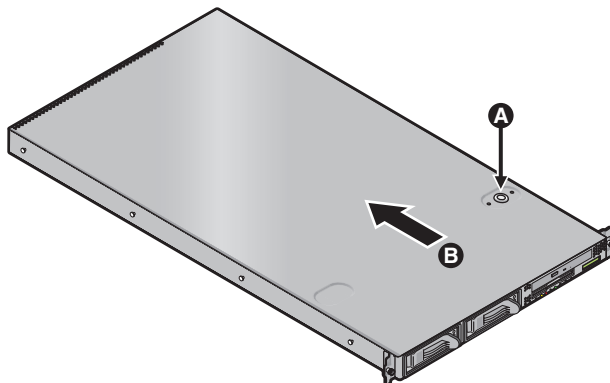


FIGURE 1 Removing the Cover

4. Unfasten the three screws securing the center and side air baffles. Lift the baffles straight up to remove them

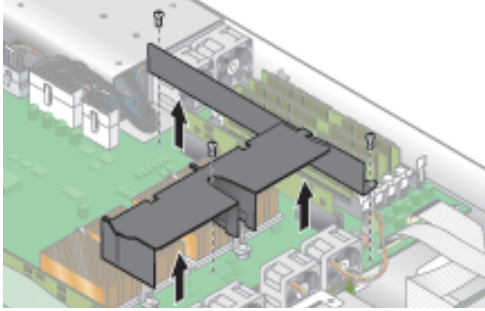


FIGURE 2 Removing the Center and Side Air Baffles

5. Disconnect the three power supply cables from the motherboard.

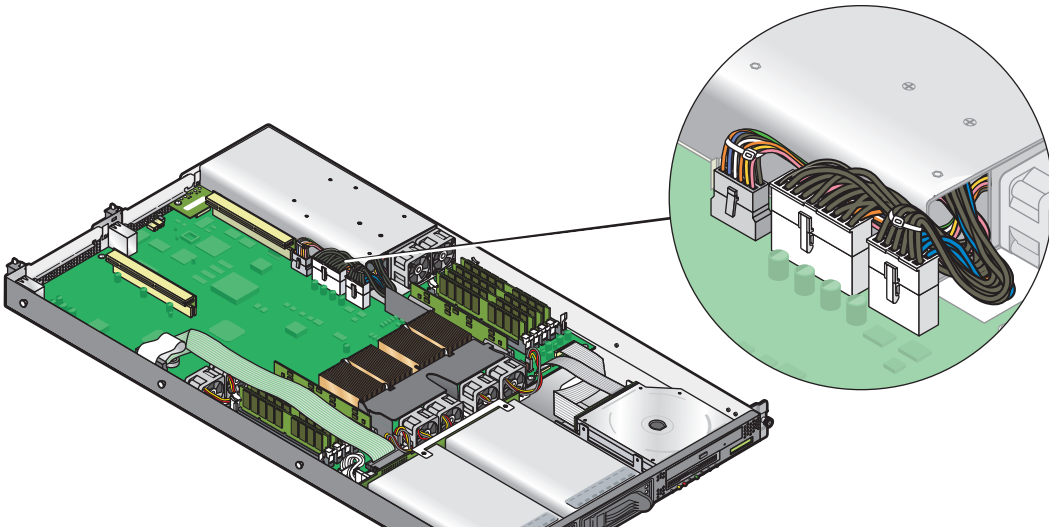


FIGURE 3 Disconnecting the Power Supply Cables

6. Unfasten the single screw securing the power supply to the rear of the chassis.

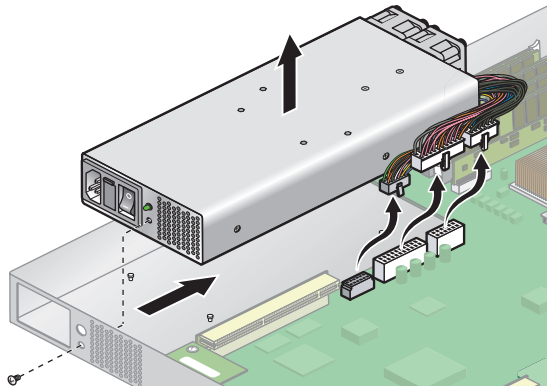


FIGURE 4 Removing the Power Supply

7. Slide the power supply toward the front of the chassis, and lift it out of the chassis.

Installation is the reverse of this procedure.

Note – Check the routing of all cables for obstructions before reinstalling the cover.

To Replace a Power Supply or Power-Supply Cage in a Sun Fire V40z Server

This section contains:

- “To Replace an Individual Power Supply in a Sun Fire V40z Server” on page 4
- “To Replace a Power-Supply Cage in a Sun Fire V40z Server” on page 5

To Replace an Individual Power Supply in a Sun Fire V40z Server

1. Turn off the system, including any attached peripherals.

It is not necessary to remove the cover to for this procedure. Refer to the *Sun Fire V20z and Sun Fire V40z Servers User Guide* for full instructions on powering off the server.

2. At the outside rear of the server, pull the finger-ring on the power supply handle toward you to disengage the power supply connector from the power distribution backplane (see [FIGURE 5](#)).

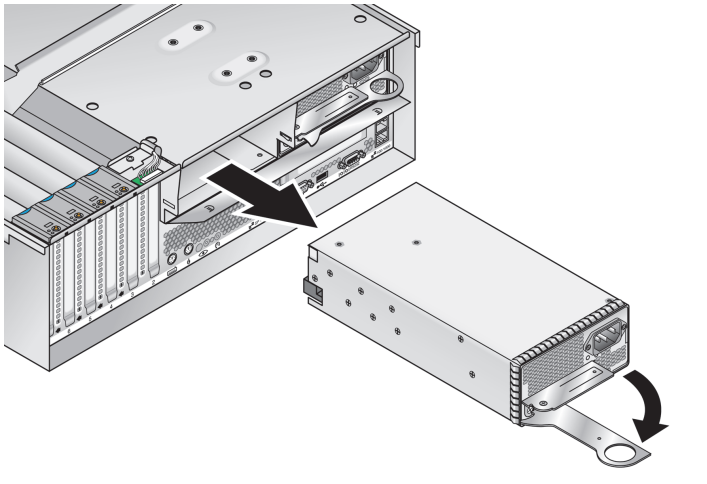


FIGURE 5 Removing an Individual Power Supply

3. Slide the power supply out of the power-supply cage and chassis.
4. To install the new power supply:
 - a. Insert the power supply into the power-supply cage and push it inward until it stops at the backplane.
 - b. Push the power supply handle closed until it locks into place.

To Replace a Power-Supply Cage in a Sun Fire V40z Server

1. Turn off the system, including any attached peripherals.

Refer to the *Sun Fire V20z and Sun Fire V40z Servers User Guide* for full instructions on powering off the server.

2. Loosen the captive screw on the cover latch, then rotate the latch toward the system rear to push back the cover. See [FIGURE 6](#).
3. Lift the cover up and remove it.

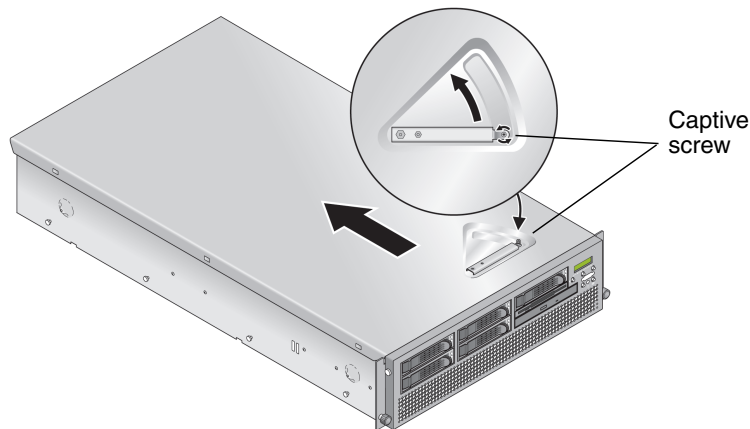


FIGURE 6 Removing the Sun Fire V40z Cover

4. Remove all power supplies from the power-supply cage.
5. Remove the power-supply cage assembly:
 - a. Pull the metal handle on the top of the cage toward the server front so that the hinged cams lift the cage and disconnect it from the motherboard (see [FIGURE 7](#)).
 - b. Lift the front of the cage and disengage its metal tabs from their mounting holes on the server back panel to remove it from the chassis.

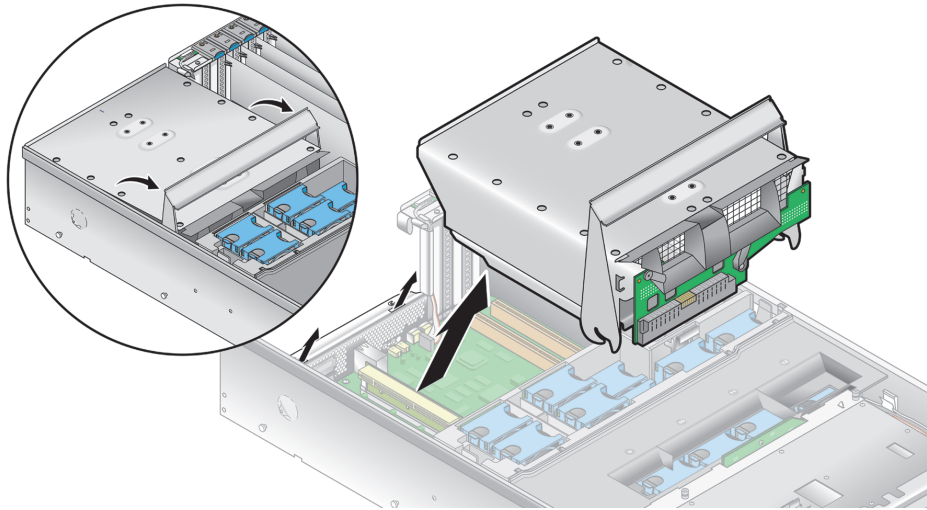


FIGURE 7 Removing the Power-Supply Cage Assembly

6. To install the new power-supply cage assembly:
 - a. Insert the assembly into the chassis with the rear of the assembly angled downward and the assembly handle in the fully open position.
 - b. Carefully insert the metal tabs on the rear of the assembly into their slots on the chassis back panel.
 - c. With the tabs in place, set the front of the assembly down on the motherboard connector.
 - d. Press the metal handle on the top of the assembly down until the connectors on the motherboard engage with the assembly backplane.
 - e. Replace all power supplies into the new power-supply cage.
7. Check the routing of all cables for obstructions and then reinstall the cover.

Part Number: 817-5275-11
May, 2004, Revision A

Copyright 2004 Sun Microsystems, Inc. All rights reserved. Use is subject to license terms. Third-party software, including font technology, is copyrighted and licensed from Sun suppliers. Portions may be derived from Berkeley BSD systems, licensed from U. of CA. Sun, Sun Microsystems, the Sun logo, and Solaris are trademarks or registered trademarks of Sun Microsystems, Inc. in the U.S. and in other countries. All SPARC trademarks are used under license and are trademarks or registered trademarks of SPARC International, Inc. in the U.S. and in other countries. U.S. Government Rights—Commercial use. Government users are subject to the Sun Microsystems, Inc. standard license agreement and applicable provisions of the FAR and its supplements.

Copyright 2004 Sun Microsystems, Inc. Tous droits réservés. Distribué par des licences qui en restreignent l'utilisation. Le logiciel détenu par des tiers, et qui comprend la technologie relative aux polices de caractères, est protégé par un copyright et licencié par des fournisseurs de Sun. Des parties de ce produit pourront être dérivées des systèmes Berkeley BSD licenciés par l'Université de Californie. Sun, Sun Microsystems, le logo Sun, et Solaris sont des marques de fabrique ou des marques déposées de Sun Microsystems, Inc. aux Etats-Unis et dans d'autres pays. Toutes les marques SPARC sont utilisées sous licence et sont des marques de fabrique ou des marques déposées de SPARC International, Inc. aux Etats-Unis et dans d'autres pays.