

Replacing the Sun Fire V20z or Sun Fire V40z CD-ROM/DVD/Diskette Drive Assembly

This document contains:

- [“Replacing a CD-ROM/DVD/Diskette Drive Assembly in a Sun Fire V20z Server” on page 1](#)
- [“Replacing a DVD/Diskette Drive Assembly in a Sun Fire V40z Server” on page 3](#)

Note – Removable drives are fragile components that must be handled with care. To prevent damage to the system, damage to a removable drive, or loss of information, observe these precautions: Before removing a diskette drive or CD-ROM/DVD drive, be sure that a diskette or disc is not in the drive. Be sure that the CD-ROM/DVD tray is closed. While handling a drive, avoid touching the connector.

Replacing a CD-ROM/DVD/Diskette Drive Assembly in a Sun Fire V20z Server

1. Turn off the system, including any attached peripherals.
2. While pressing the cover latch release button with your right thumb (A), slide the cover towards the rear of the chassis until it contacts the stop (B).
3. Lift the cover up and remove it.

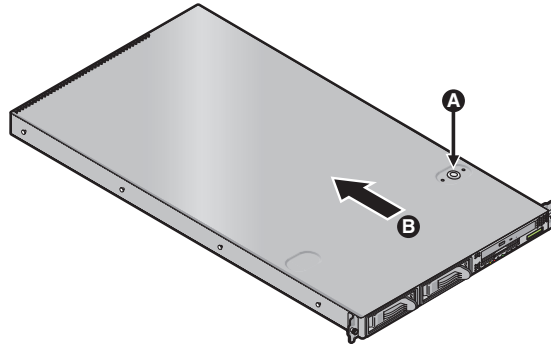


FIGURE 1 Removing the Cover

4. Unfasten the CD-ROM/DVD and diskette drive ribbon cables from the motherboard.

Caution – Use care with the small flat cables. They are extremely fragile.

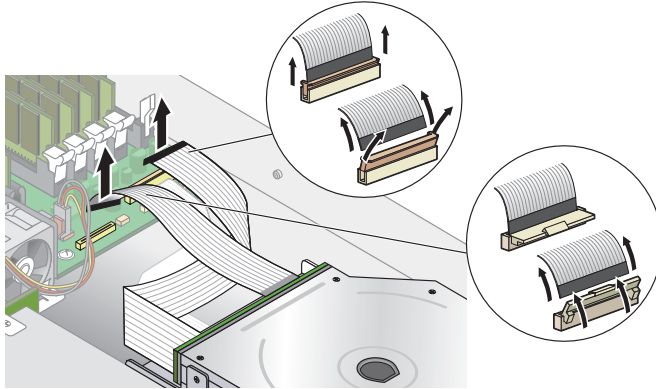


FIGURE 2 Uncabling the CD-ROM/DVD/Floppy Disk Drive Assembly

5. Unfasten the single screw securing the CD-ROM/DVD/Floppy Disk Drive assembly to the chassis.
6. Slide the assembly towards the rear of the chassis approximately 0.5" (12mm).

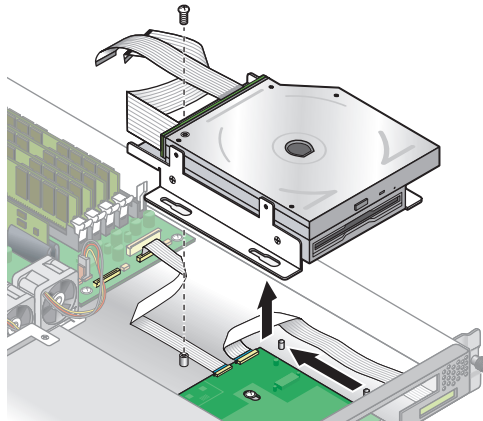


FIGURE 3 Removing the CD-ROM/DVD/Floppy Disk Drive Assembly

Caution – Move the assembly by grasping it by its sides. Do not push on the CD-ROM tray.

7. Lift the rear of the assembly slightly, and withdraw it from the chassis.
Installation is the reverse of this procedure.

Note – Check the routing of all cables for obstructions before reinstalling the cover.

Replacing a DVD/Diskette Drive Assembly in a Sun Fire V40z Server

1. Turn off the system, including any attached peripherals.

Refer to the *Sun Fire V20z and Sun Fire V40z Servers User Guide* for full instructions on powering off the server.

2. Loosen the captive screw on the cover latch, then rotate the latch toward the system rear to push back the cover.
3. Lift the cover up and remove it.

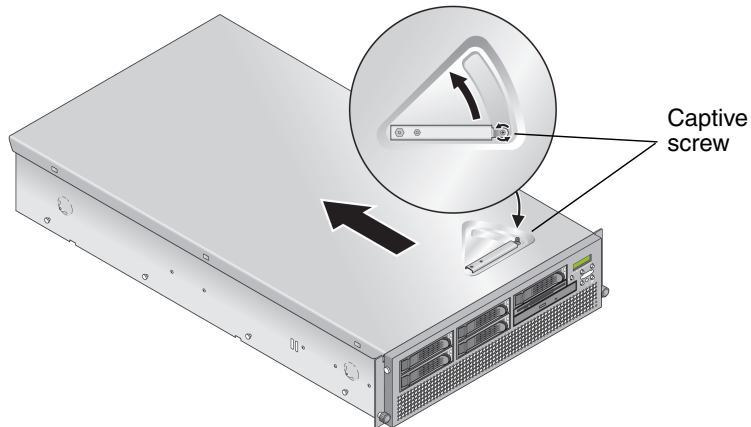


FIGURE 4 Removing the Sun Fire V40z Cover

4. Disconnect the ribbon cable connector from the rear of the DVD/diskette drive assembly.
5. Press in the latch on the left front side of the assembly and remove the assembly from the server (see [FIGURE 5](#)).

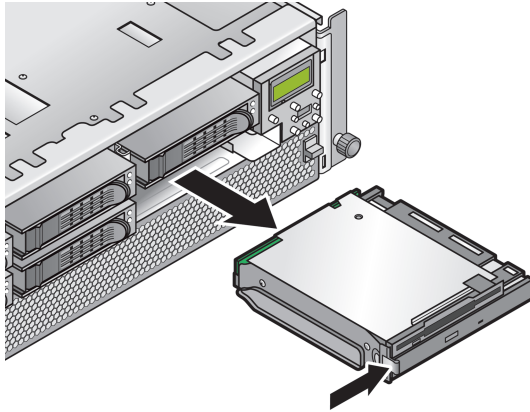


FIGURE 5 Removing the DVD/Diskette Drive Assembly

6. To install the new assembly, align it with the bay opening and press in firmly on both corners of the assembly until the latch clicks into place.
7. Connect the ribbon cable connector to the rear of the assembly.
8. Check the routing of all cables for obstructions and then reinstall the cover.

Part Number: 817-5260-11
May, 2004, Revision A

Copyright 2004 Sun Microsystems, Inc. All rights reserved. Use is subject to license terms. Third-party software, including font technology, is copyrighted and licensed from Sun suppliers. Portions may be derived from Berkeley BSD systems, licensed from U. of CA. Sun, Sun Microsystems, the Sun logo, and Solaris are trademarks or registered trademarks of Sun Microsystems, Inc. in the U.S. and in other countries. All SPARC trademarks are used under license and are trademarks or registered trademarks of SPARC International, Inc. in the U.S. and in other countries. U.S. Government Rights—Commercial use. Government users are subject to the Sun Microsystems, Inc. standard license agreement and applicable provisions of the FAR and its supplements.

Copyright 2004 Sun Microsystems, Inc. Tous droits réservés. Distribué par des licences qui en restreignent l'utilisation. Le logiciel détenu par des tiers, et qui comprend la technologie relative aux polices de caractères, est protégé par un copyright et licencié par des fournisseurs de Sun. Des parties de ce produit pourront être dérivées des systèmes Berkeley BSD licenciés par l'Université de Californie. Sun, Sun Microsystems, le logo Sun, et Solaris sont des marques de fabrique ou des marques déposées de Sun Microsystems, Inc. aux Etats-Unis et dans d'autres pays. Toutes les marques SPARC sont utilisées sous licence et sont des marques de fabrique ou des marques déposées de SPARC International, Inc. aux Etats-Unis et dans d'autres pays.