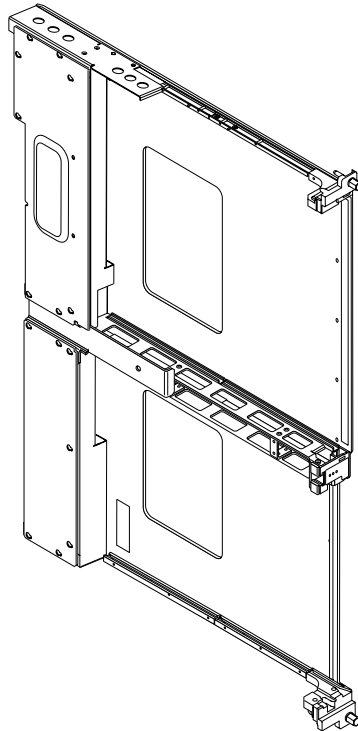


# Carrier Plate Configurations

Sun Fire™ E25K/E20K Systems

Sun Fire™ 15K/12K Systems

---



---

# Carrier Plate Replacement and Modifications

## Contents:

Part Number	Qty.	Description
817-4141	1	FRU Service Document for Carrier Plate Configurations
541-0119	1	Carrier plate assembly, standard configuration
240-4363	1	M3x8 mm flathead screw, plastic-coated

The Sun™ Fire E25K/E20K/15K/12K systems have two varieties of system carrier plate configurations to accommodate the connector locations on the Sun™ Fireplane. This field-replaceable unit (FRU) contains the following reconfigurable parts to be used with the standard carrier plate for two types of carrier plate slots.

- Standard configuration for slots 1-3, 6-8, 10-12, and 15-17, part no. 541-0119
- Configuration modification for slots 0 and 9, part no. 541-0120

Review “Inserting a Board Set Carrier Plate” in the system service manual for your system prior to handling the system carrier plates.

---

**Note** – Be sure you are properly grounded before you begin the hardware removal and installation. There are four ground points on the system cabinet, two at the front top left and top right, and two at the rear top left and top right.

---

## Carrier Plate Replacement for Slots 1, 2, 3, 6, 7, 8, 10, 11, 12, 15, 16, and 17

### 1. Remove the carrier plate from the system.

Follow the instructions in “Removing an Expander Board” and “Installing an Expander Board” in the service manual for your system.

### 2. Remove the expander board from the carrier plate, as required, and set aside. No changes are required for standard carrier plate configurations.

---

**Note** – The Sun Fire E25K and 15K systems have an expander board installed on *each* carrier plate. The Sun Fire E20K and 12K systems have an expander installed only on the slot 0 through slot 8 carrier plates.

---

### 3. Re-install the expander board, as required, on the new carrier plate.

### 4. Install the new carrier plate into the system.

### 5. Discard any remaining hardware supplied with the FRU package.

## Carrier Plate Configuration Modification and Replacement for Slots 0 and 9

This configuration is for the slots on the left sides of the system controllers.

**1. Remove the carrier plate from the system.**

Follow the instructions in “Removing an Expander Board” and “Installing an Expander Board” in system service manual for your system.

**2. Remove the expander board from the carrier plate, as required, and set aside. No changes are required for standard carrier plate configurations.**

**3. Remove the two (2) M3x20 flathead screws securing the T-rail guide of the new carrier plate to the center guide bracket of the new carrier plate and discard (Figure 1). These items are not needed for this configuration.**

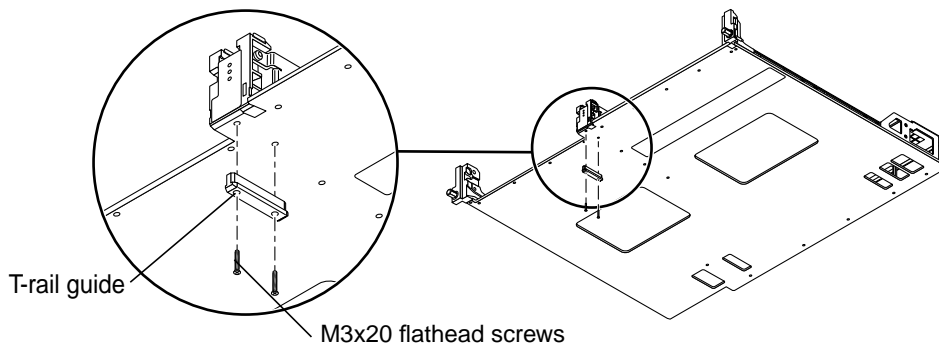


FIGURE 1 Removing the T-Rail Guide

**4. Install one (1) plastic-coated M3x8 flathead screw from the FRU package to secure the center guide bracket to the new carrier plate (Figure 2).**

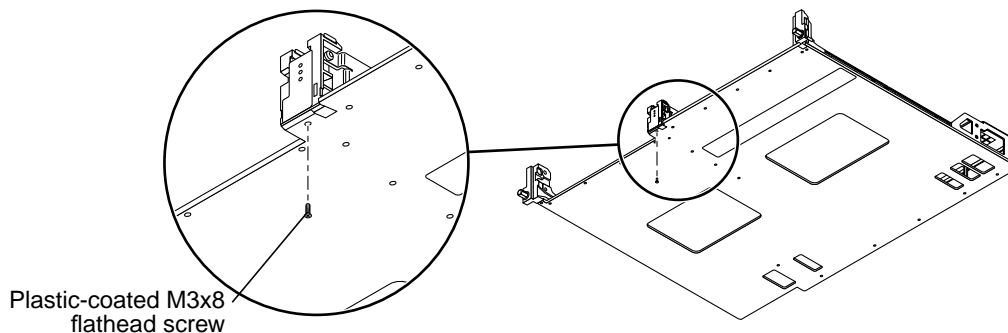


FIGURE 2 Securing the Center Guide Bracket After the T-Rail Guide Removal

**5. Re-install the expander board, as required, on the new carrier plate.**

**6. Install the carrier plate into the system.**

**7. Discard any remaining hardware supplied with the FRU package.**

## Accessing Sun Documentation

You can view, print, or purchase a broad selection of Sun documentation, including localized versions, at:

<http://www.sun.com/documentation>

## Contacting Sun Technical Support

If you have technical questions about this product that are not answered in this document, go to:

<http://www.sun.com/service/contacting>

## Sun Welcomes Your Comments

Sun is interested in improving its documentation and welcomes your comments and suggestions. You can submit your comments by going to:

<http://www.sun.com/hwdocs/feedback>

Please include the title and part number of your document with your feedback:

*Carrier Plate Configurations*, part number 817-4141-10(v2)

Copyright 2004 Sun Microsystems, Inc. All rights reserved. Use is subject to license terms. Third-party software, including font technology, is copyrighted and licensed from Sun suppliers. Portions may be derived from Berkeley BSD systems, licensed from U. of CA. Sun, Sun Microsystems, the Sun logo, Sun Fire, and Solaris are trademarks or registered trademarks of Sun Microsystems, Inc. in the U.S. and in other countries. All SPARC trademarks are used under license and are trademarks or registered trademarks of SPARC International, Inc. in the U.S. and in other countries. U.S. Government Rights—Commercial use. Government users are subject to the Sun Microsystems, Inc. standard license agreement and applicable provisions of the FAR and its supplements.

Copyright 2004 Sun Microsystems, Inc. Tous droits réservés. Distribué par des licences qui en restreignent l'utilisation. Le logiciel détenu par des tiers, et qui comprend la technologie relative aux polices de caractères, est protégé par un copyright et licencié par des fournisseurs de Sun. Des parties de ce produit pourront être dérivées des systèmes Berkeley BSD licenciés par l'Université de Californie. Sun, Sun Microsystems, le logo Sun, Sun Fire, et Solaris sont des marques de fabrique ou des marques déposées de Sun Microsystems, Inc. aux Etats-Unis et dans d'autres pays. Toutes les marques SPARC sont utilisées sous licence et sont des marques de fabrique ou des marques déposées de SPARC International, Inc. aux Etats-Unis et dans d'autres pays.



Sun Microsystems, Inc.  
[www.sun.com](http://www.sun.com)

Part No. 817-4141-10(v2), Rev. A  
April 2004