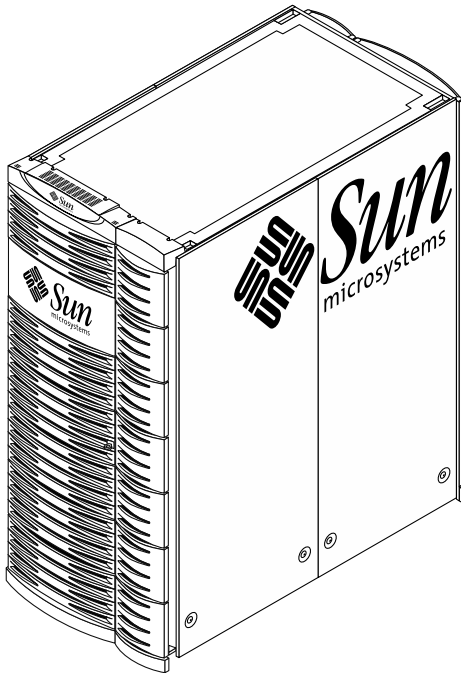




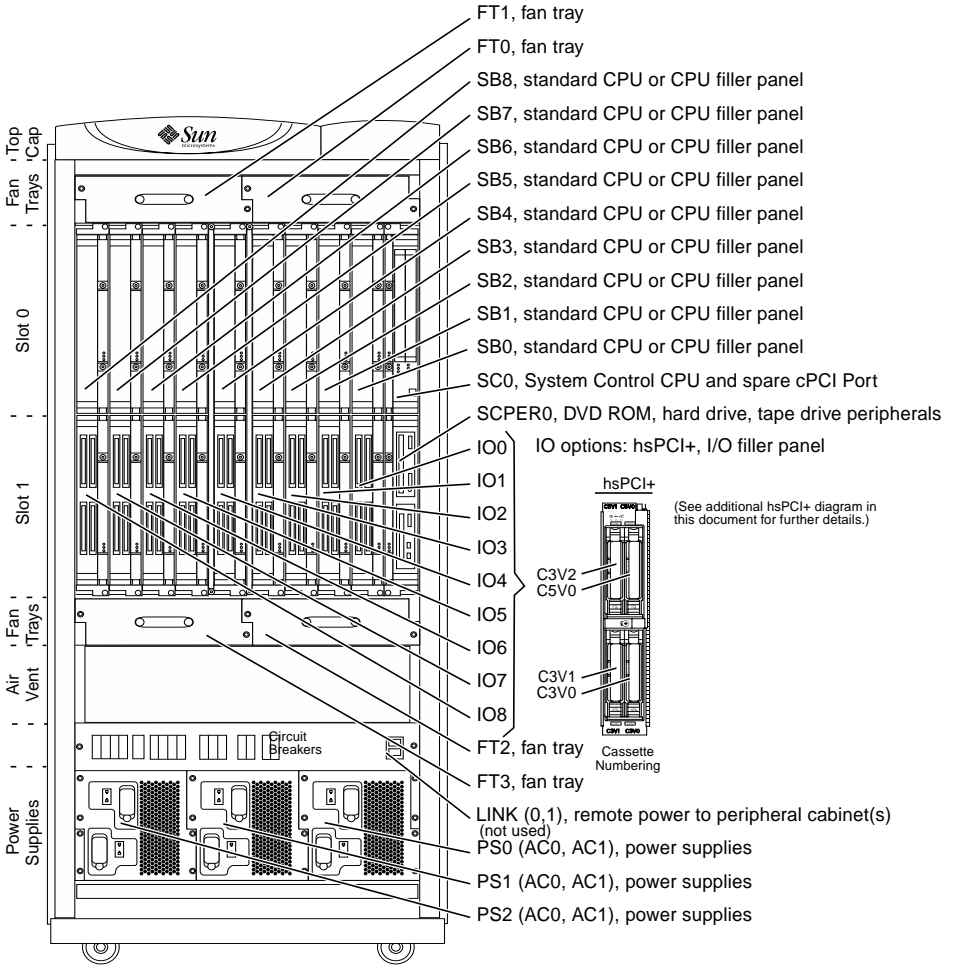
# Sun Fire™ E25K/E20K Systems

Service Reference II  
Component Numbering

---

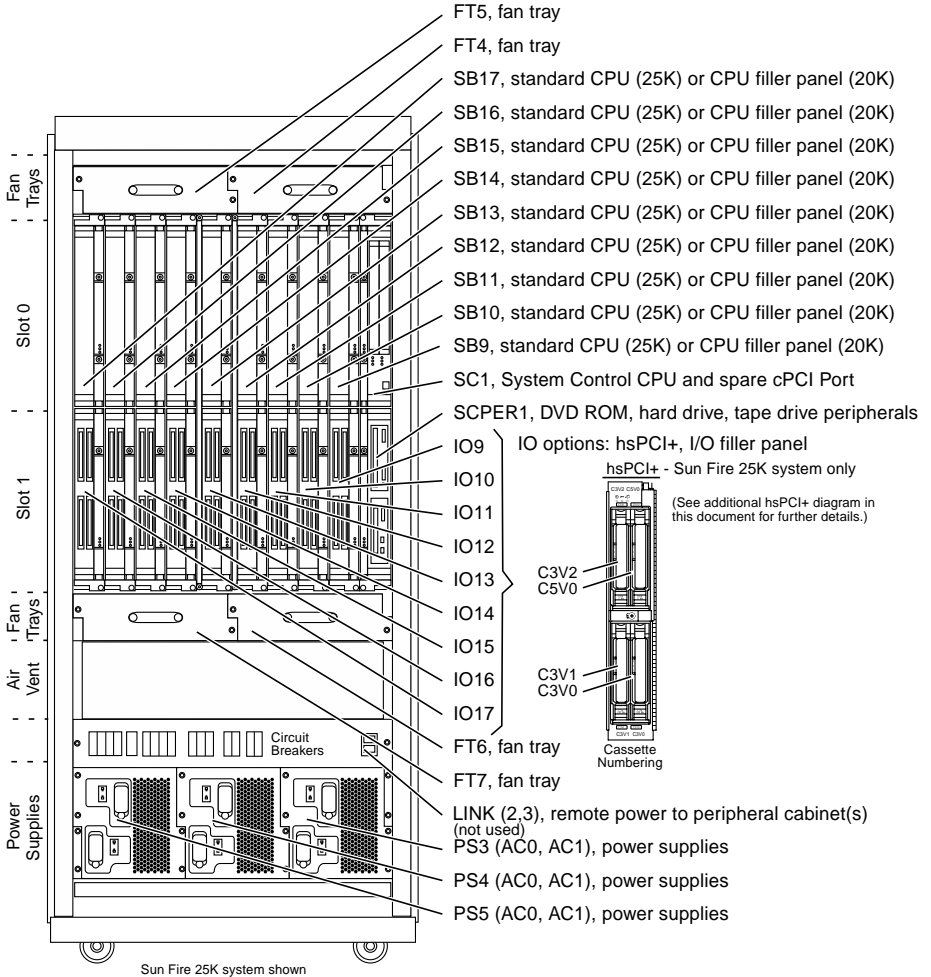


This System Service Reference II has been prepared as a quick-reference guide to the established nomenclature used for the Sun Fire E25K/E20K systems. For additional detailed information, refer to the *Sun Fire E25K/E20K Systems Service Manual*, part number 817-4138.



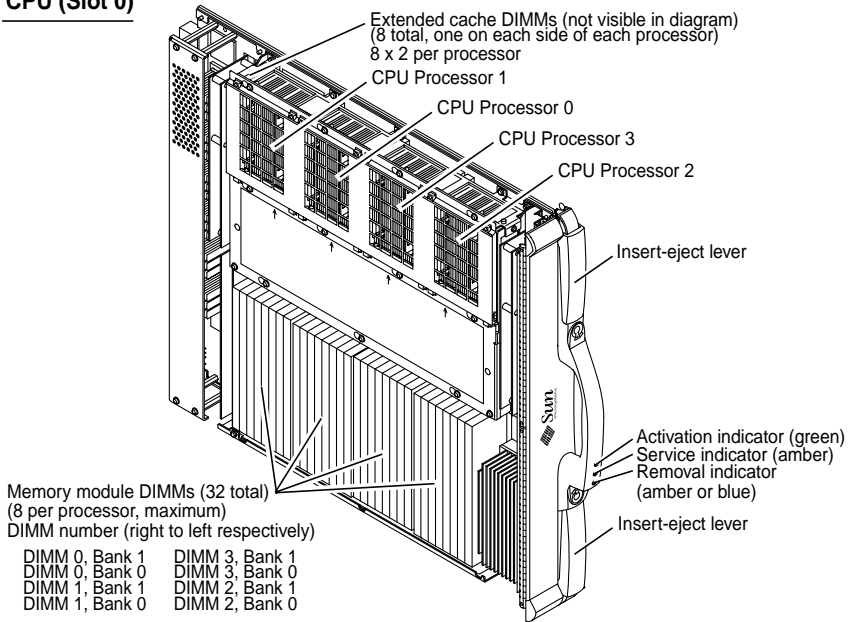
### System Component Numbering—Front

The rear of the Sun Fire E25K/E20K systems are essentially the same. However, in the Sun Fire E20K system, the standard CPU slots and the IO slots are filled with CPU filler panels and IO filler panels.



## System Component Numbering—Rear

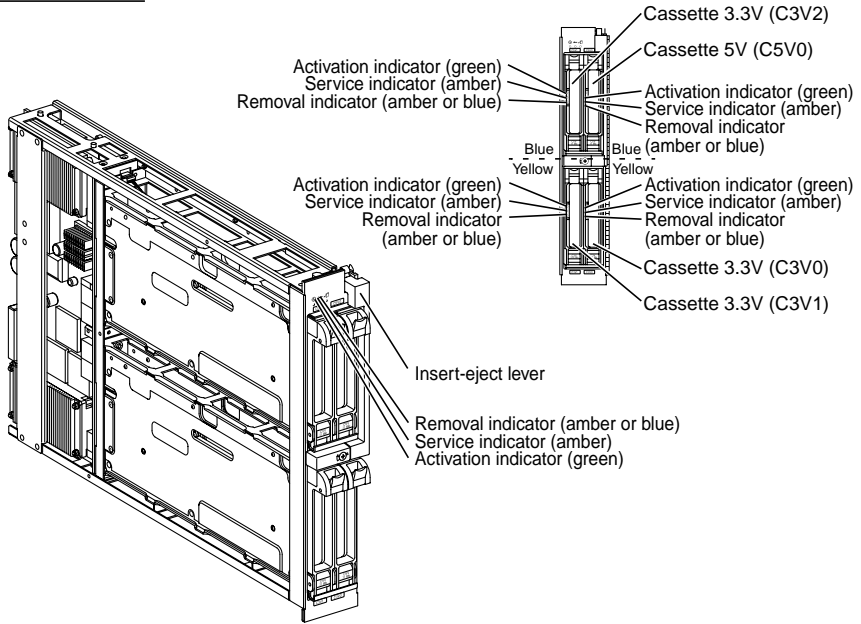
## CPU (Slot 0)



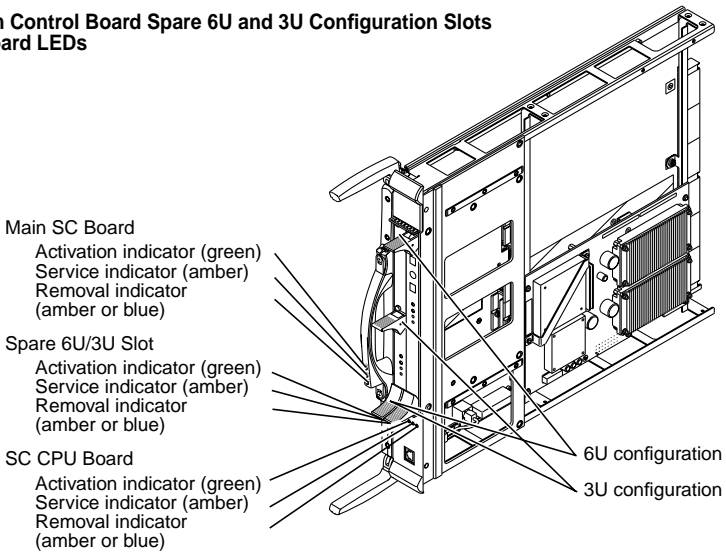
## Slot 0 Board Component Numbering

**hsPCI+ (Slot 1)**

**hsPCI+ I/O Cassettes and LEDs**



**System Control Board Spare 6U and 3U Configuration Slots and Board LEDs**



**Slot 0 and Slot 1 Board Component Numbering**

## Accessing Sun Documentation

You can view, print, or purchase a broad selection of Sun documentation, including localized versions, at:

<http://www.sun.com/documentation>

## Contacting Sun Technical Support

If you have technical questions about this product that are not answered in this document, go to:

<http://www.sun.com/service/contacting>

## Sun Welcomes Your Comments

Sun is interested in improving its documentation and welcomes your comments and suggestions. You can submit your comments by going to:

<http://www.sun.com/hwdocs/feedback>

Please include the title and part number of your document with your feedback:

*Sun Fire E25K/E20K Systems Service Reference II — Component Numbering*, part number 817-4140-10

Copyright 2004 Sun Microsystems, Inc. All rights reserved. Use is subject to license terms. Third-party software, including font technology, is copyrighted and licensed from Sun suppliers. Portions may be derived from Berkeley BSD systems, licensed from U. of CA. Sun, Sun Microsystems, the Sun logo, Sun Fire, and Solaris are trademarks or registered trademarks of Sun Microsystems, Inc. in the U.S. and in other countries. All SPARC trademarks are used under license and are trademarks or registered trademarks of SPARC International, Inc. in the U.S. and in other countries. U.S. Government Rights—Commercial use. Government users are subject to the Sun Microsystems, Inc. standard license agreement and applicable provisions of the FAR and its supplements.

Copyright 2004 Sun Microsystems, Inc. Tous droits réservés. Distribué par des licences qui en restreignent l'utilisation. Le logiciel détenu par des tiers, et qui comprend la technologie relative aux polices de caractères, est protégé par un copyright et licencié par des fournisseurs de Sun. Des parties de ce produit pourront être dérivées des systèmes Berkeley BSD licenciés par l'Université de Californie. Sun, Sun Microsystems, le logo Sun, Sun Fire, et Solaris sont des marques de fabrique ou des marques déposées de Sun Microsystems, Inc. aux Etats-Unis et dans d'autres pays. Toutes les marques SPARC sont utilisées sous licence et sont des marques de fabrique ou des marques déposées de SPARC International, Inc. aux Etats-Unis et dans d'autres pays.



Sun Microsystems, Inc.  
[www.sun.com](http://www.sun.com)