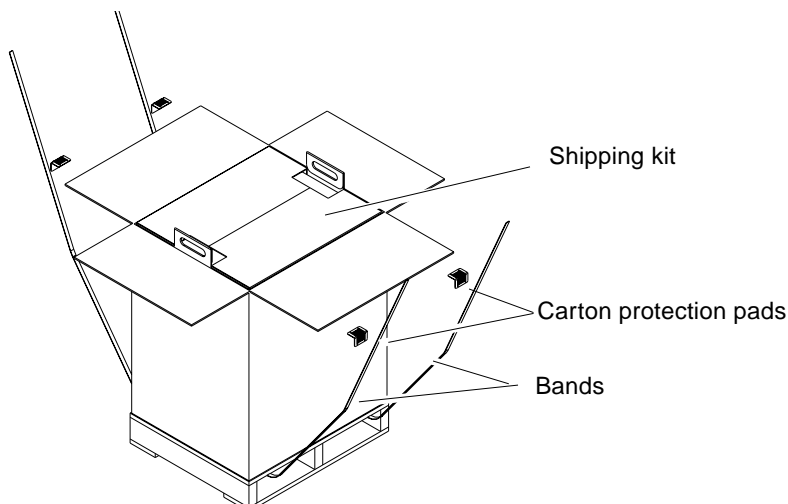


Sun Fire™ E2900 Systems Unpacking Guide

Unpacking the System

1. Ensure there is adequate space around the system to maneuver a computer lifting device.
2. Remove the yellow Customer Information Sheet from the plastic pocket on the side of the packaging and keep it for future reference.
3. Remove the carton protection pads.
4. Cut the bands from the outer packaging and open the carton.
5. Remove and unpack the shipping kit.
6. Remove the outer carton.



-
7. Remove the internal saddle.
 8. Lift off the system bag.
 9. Make a visual check to ensure that the chassis is undamaged.
 10. Move the system to the operating location using a computer lifting device.

Note – Refer to the *Sun Fire E2900 Systems Installation Guide* to continue the installation.

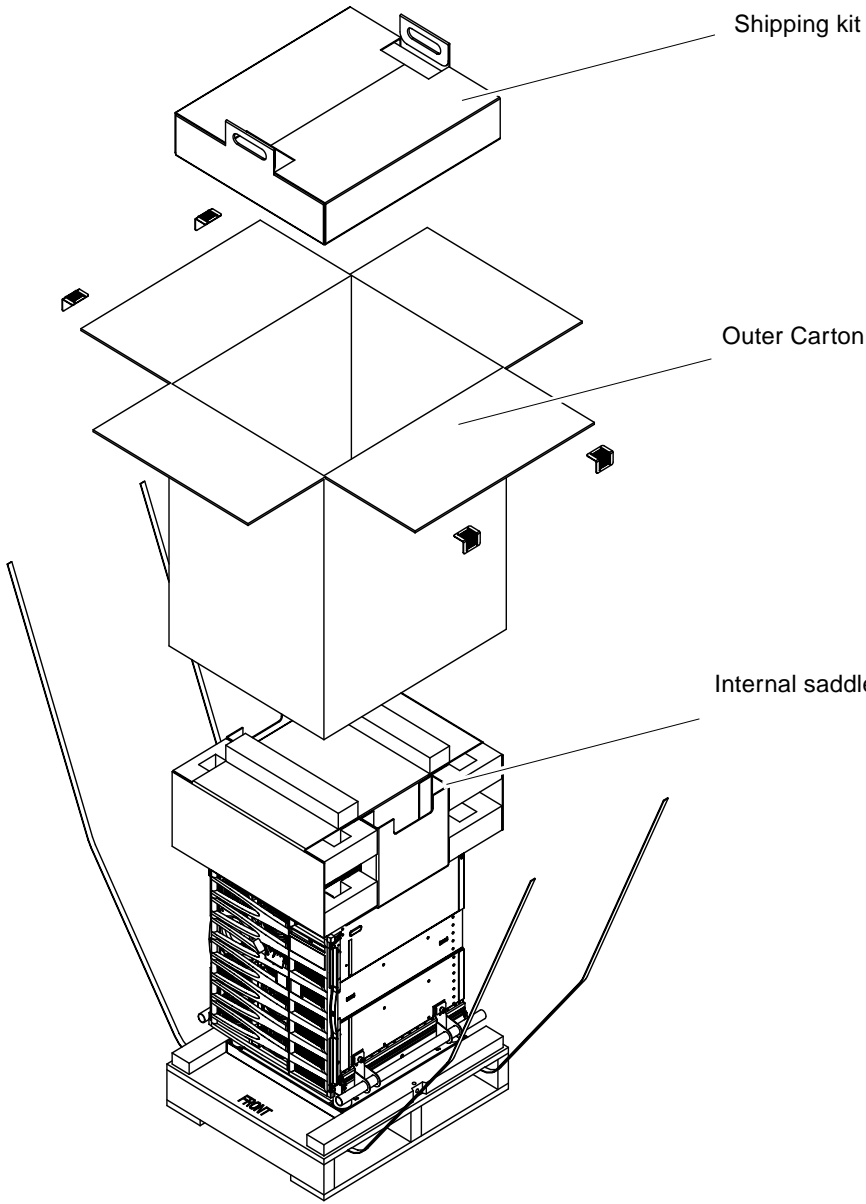
Shipping Kit

The shipping kit box accompanying the system contains the following items:

- Sun Fire E2900 system printed documentation:
 - *Sun Fire E2900 Systems Release Notes*
 - *Sun Fire E2900 Systems Installation Guide*
 - *Sun Fire E2900 Systems Getting Started*
- Sun Fire E2900 system CD documentation:
 - *Sun Fire Entry-Level Midrange Systems Administration Guide*
 - *Sun Fire Entry-Level Midrange System Controller Command Reference Manual*
 - *Sun Fire E2900 Systems Service Manual*
- Rackmount kit:
 - Slide assemblies with mounting brackets (2)
 - No. 10-32 UNF screws with washers (8)
 - M6 screws with washers (8)
- Cable management arm (CMA-800)
- Lite cable management arm (CMA-Lite)
- Ethernet/serial cables (4)
- Antistatic wrist strap and snap-on converter
- RJ-45 to DB-25 male adapter
- RJ-45 to DB-9 female adapter
- Unpacking tools:
 - 13 mm wrench (spanner)
 - 8 mm wrench (spanner)

Note – AC power cords for the Sun Fire E2900 System are supplied in a separate country kit.

Note – The system is preloaded and preconfigured with Solaris software and the LOM firmware; the manuals shipped with the system are all that are required in order to install and start the system.



Accessing Sun Documentation

You can view, print, or purchase a broad selection of Sun documentation, including localized versions, at:

<http://www.sun.com/documentation>

Third-Party Web Sites

Sun is not responsible for the availability of third-party web sites mentioned in this document. Sun does not endorse and is not responsible or liable for any content, advertising, products, or other materials that are available on or through such sites or resources. Sun will not be responsible or liable for any actual or alleged damage or loss caused by or in connection with the use of or reliance on any such content, goods, or services that are available on or through such sites or resources.

Contacting Sun Technical Support

If you have technical questions about this product that are not answered in this document, go to:

<http://www.sun.com/service/contacting>

Sun Welcomes Your Comments

Sun is interested in improving its documentation and welcomes your comments and suggestions. You can submit your comments by going to:

<http://www.sun.com/hwdocs/feedback>

Please include the title and part number of your document with your feedback:

Sun Fire E2900 Systems Unpacking Guide, part number 817-4068-10

Copyright 2004 Sun Microsystems, Inc. All rights reserved. Use is subject to license terms. Third-party software, including font technology, is copyrighted and licensed from Sun suppliers. Portions may be derived from Berkeley BSD systems, licensed from U. of CA. Sun, Sun Microsystems, the Sun logo, and Solaris are trademarks or registered trademarks of Sun Microsystems, Inc. in the U.S. and in other countries. All SPARC trademarks are used under license and are trademarks or registered trademarks of SPARC International, Inc. in the U.S. and in other countries. U.S. Government Rights—Commercial use. Government users are subject to the Sun Microsystems, Inc. standard license agreement and applicable provisions of the FAR and its supplements.

Copyright 2004 Sun Microsystems, Inc. Tous droits réservés. Distribué par des licences qui en restreignent l'utilisation. Le logiciel détenu par des tiers, et qui comprend la technologie relative aux polices de caractères, est protégé par un copyright et licencié par des fournisseurs de Sun. Des parties de ce produit pourront être dérivées des systèmes Berkeley BSD licenciés par l'Université de Californie. Sun, Sun Microsystems, le logo Sun, et Solaris sont des marques de fabrique ou des marques déposées de Sun Microsystems, Inc. aux Etats-Unis et dans d'autres pays. Toutes les marques SPARC sont utilisées sous licence et sont des marques de fabrique ou des marques déposées de SPARC International, Inc. aux Etats-Unis et dans d'autres pays.



Sun Microsystems, Inc.
www.sun.com