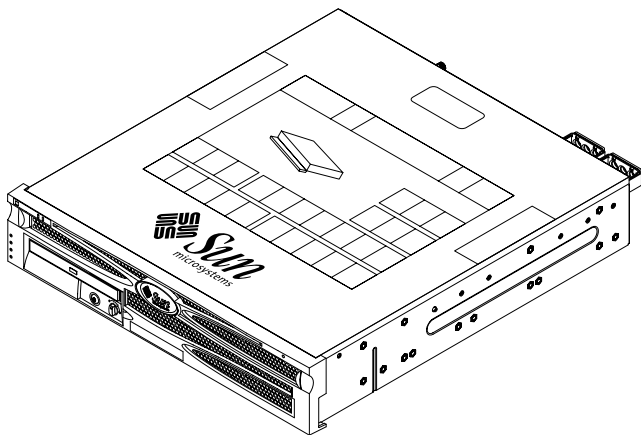


Netra™ 240 Server Quick Start Guide

Introduction

This guide presents an overview of the Netra™ 240 server installation.



For complete installation instructions, refer to the *Netra 240 Server Installation Guide*.

Documentation

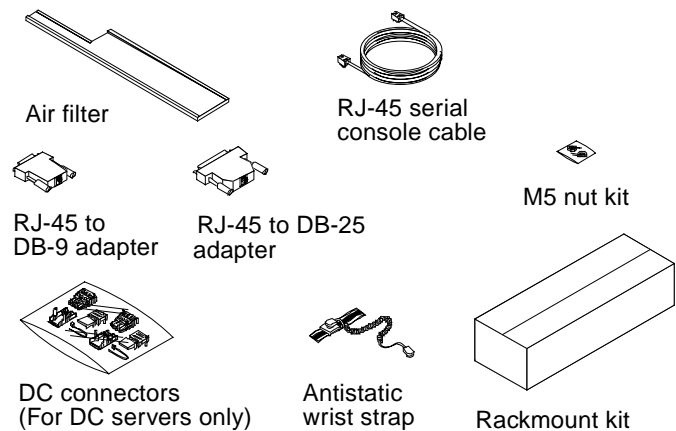
You can view, print, or download manuals from the Sun™ documentation web site:
<http://www.sun.com/documentation>

- *Netra 240 Server Release Notes* (817-3142-xx)
Latest product updates
- *Netra 240 Server Installation Guide* (817-2698-xx)
Detailed rackmounting, cabling, power-on, and configuring information
- *Netra 240 Server Service Manual* (817-2699-xx)
Service information

- *Netra 240 Server System Administration Guide* (817-2700-xx)
Administration and diagnostics details
- *Sun Advanced Lights Out Manager User's Guide for the Netra 240 Server* (817-3174-xx)
Advanced Lights Out Manager (ALOM) software information
- *Netra 240 Server Safety and Compliance Manual* (817-3511-xx)
Essential safety and compliance information

Shipment Contents

Besides the server (shown on the left), the shipment contains:



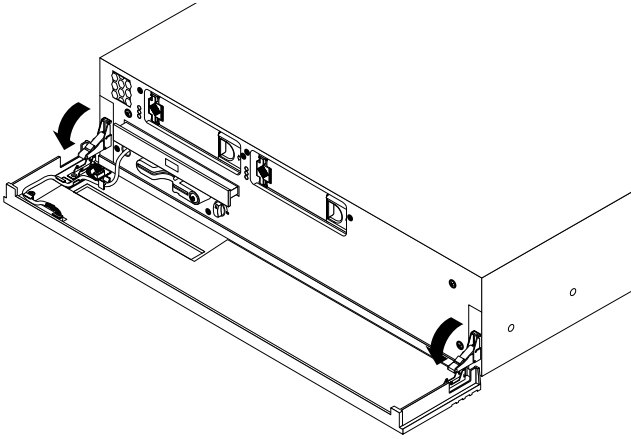
The shipment also contains these documents:
Important Safety Information for Sun Hardware (817-7190-xx),
Sun Netra 240 Server Product Documentation (817-2697-xx),
Binary Code Licenses (817-2380-xx), and this guide.

Note – The DC connectors are for the DC-powered servers only. Use the separately ordered AC cables with the AC-powered server.

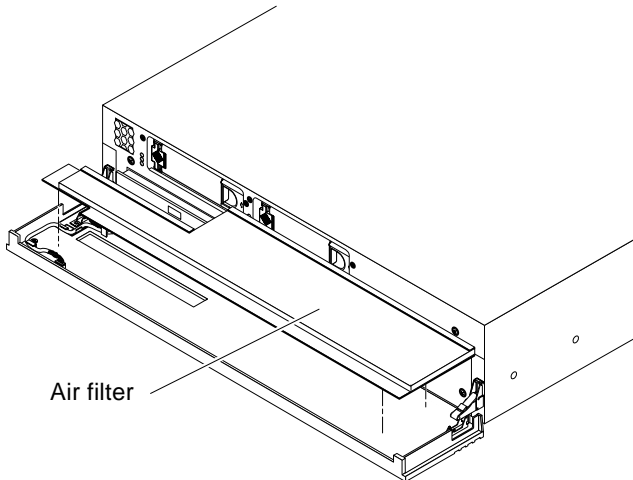
1. Install Air Filter

Note – For complete instructions on installing the air filter, refer to the *Netra 240 Server Installation Guide*.

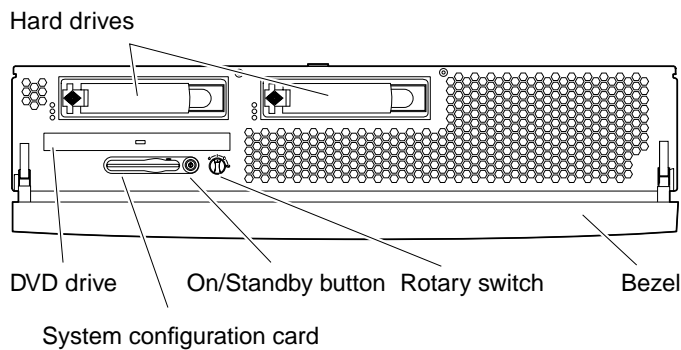
1. Lower the front bezel.



2. Remove the protective shipping insert and install the supplied air filter in the bezel.



3. View the components accessible from the front panel.



4. Close the front bezel.

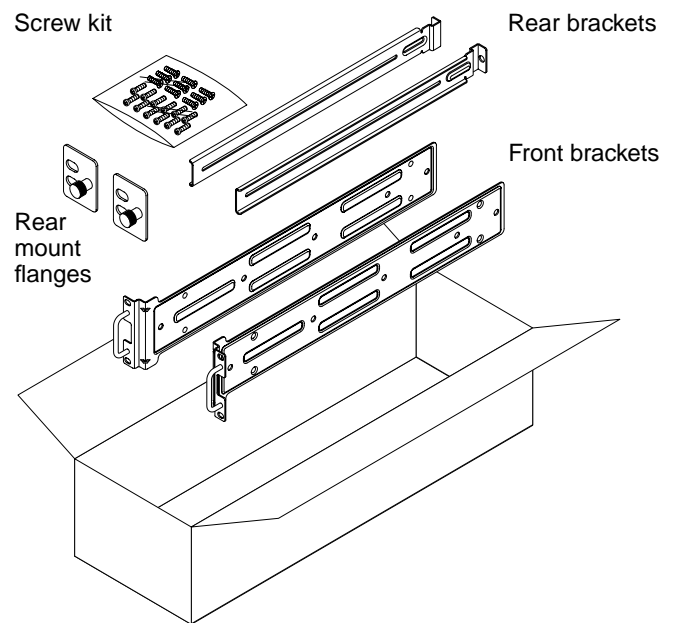
2. Mount Server to Rack



Caution – If you install the server incorrectly, it might become detached from the rack. The following steps present an overview of the rackmount installation. For the complete installation instructions, refer to the *Netra 240 Server Installation Guide*.

For this procedure, you need a No. 2 Phillips screwdriver and eight screws designed for your rack.

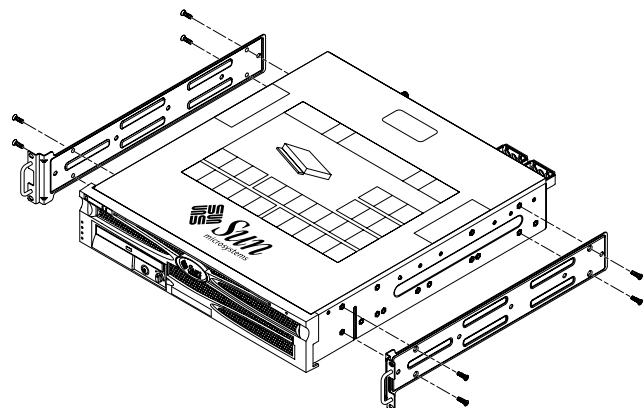
1. Open and view the contents of the rackmount kit.



Refer to the *Netra 240 Server Installation Guide* for the contents of the screw kit.

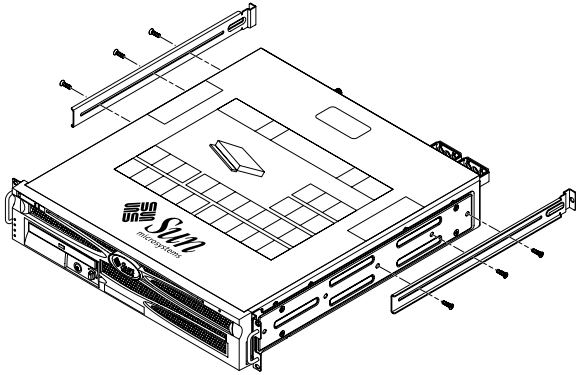
2. Attach the front brackets to server.

Use eight supplied M5 Phillips flathead screws.



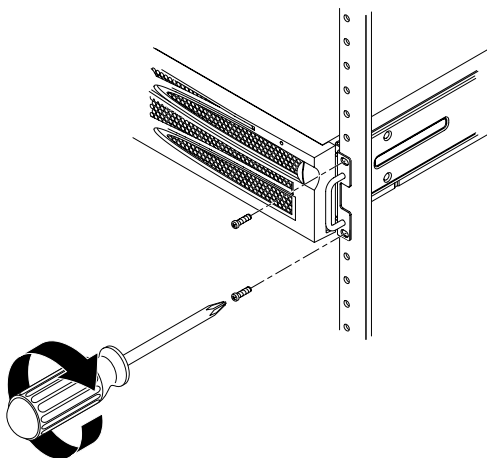
3. Attach the rear brackets to the server and extend them to the depth of your rack.

Use four or six supplied M4 Phillips panhead screws, depending on the rack depth.



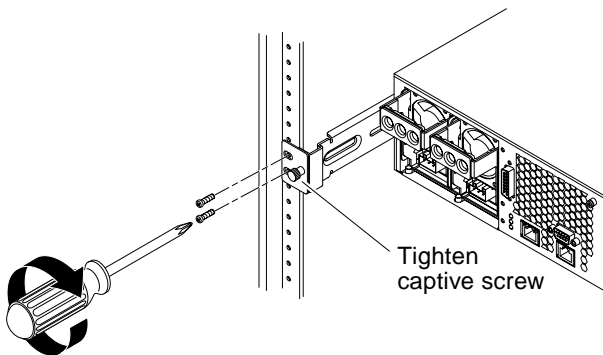
4. Secure the front brackets to rack.

Size of screws varies, depending on your rack.



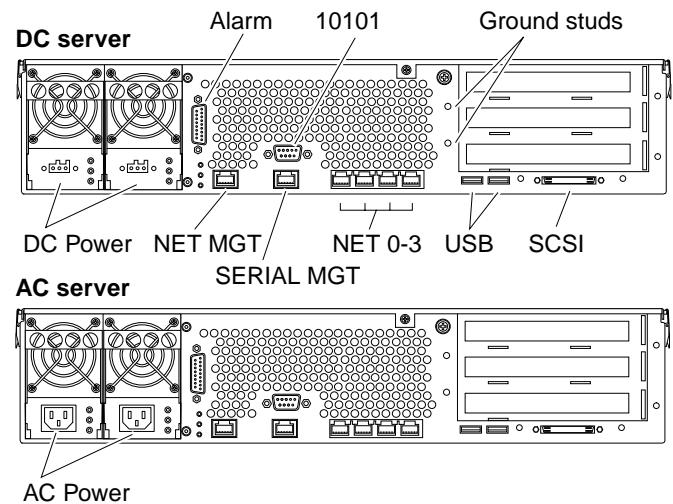
5. Secure rear brackets and rear mount flanges to rack.

Size of screws varies, depending on your rack.



Note – For complete instructions on mounting the server in a rack, refer to the *Netra 240 Server Installation Guide*.

3. Attach Cables



Note – Refer to the *Netra 240 Server Installation Guide* for complete cabling instructions and power specifications.

Alarm

DB-15 connector; use this port to connect to the central office alarming system.

10101

DB-9 connector; use this port for general purpose serial data transfer.

Ground Studs

Connect to protected earth ground.

DC Power (DC Server Only)

Assemble the DC connectors and connect to the DC power source.

AC Power (AC Server Only)

Connect the AC power cords to the AC power source.

NET MGT

RJ-45 connector; use this port for making an Ethernet connection to the ALOM software.

SERIAL MGT

RJ-45 connector; use this serial port for server management using the ALOM software. If needed, use the supplied RJ-45 to DB-9 or RJ-45 to DB-25 adapters.

NET 0-3 (Ethernet)

RJ-45 connectors; use these ports to connect to autonegotiating 10/100/1000BASE-T Ethernet networks.

USB

Use these ports to connect to external USB devices.

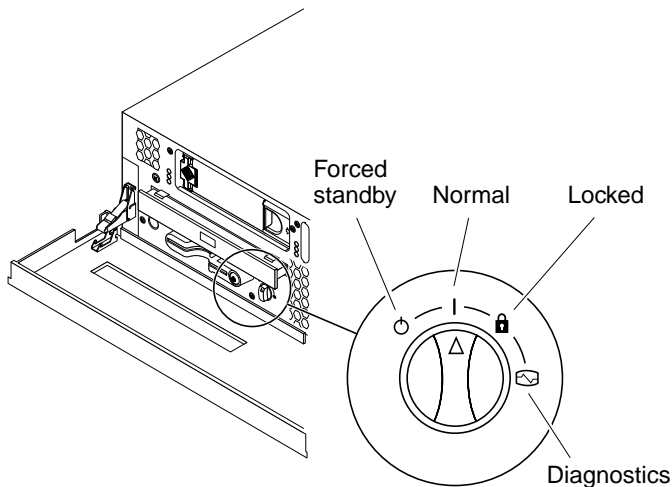
SCSI

Ultra160 LVD SCSI connector; use this port to connect to external SCSI devices.

4. Power On Server

Note – The server goes into Standby mode as soon as the power cables are connected to the power source.

1. Make sure the rotary switch is in the Normal (|) position before powering on the server.

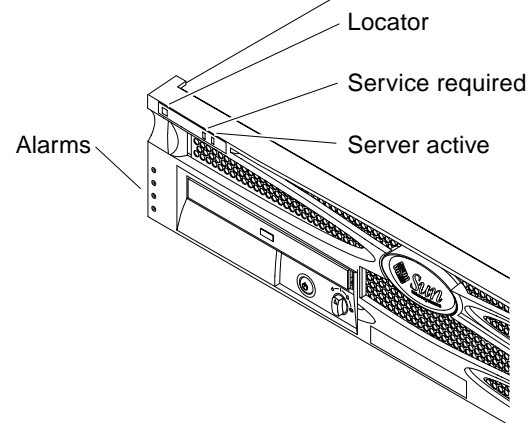


2. Set up a console connection to the server using the server's SERIAL MGT port.
Refer to the *Netra 240 Server Installation Manual* for complete instructions.
3. Power on server either from the keyboard or by pressing the On/Standby button at the front of the server.

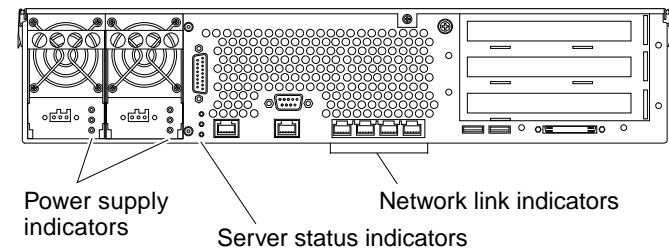
Note – Refer to the *Netra 240 Server Installation Manual* for complete power on and configuration instructions.

Indicator Overview

Front Panel Indicators



Rear Panel Indicators



The power supply indicator locations are the same for both the AC and DC servers.

Note – Refer to the *Netra 240 Server Installation Manual* for the description of these indicators.

Copyright 2004 Sun Microsystems, Inc. All rights reserved. Use is subject to license terms. Third-party software, including font technology, is copyrighted and licensed from Sun suppliers. Portions may be derived from Berkeley BSD systems, licensed from U. of CA. Sun, Sun Microsystems, the Sun logo, Netra, and Solaris are trademarks or registered trademarks of Sun Microsystems, Inc. in the U.S. and in other countries. All SPARC trademarks are used under license and are trademarks or registered trademarks of SPARC International, Inc. in the U.S. and in other countries. U.S. Government Rights—Commercial use. Government users are subject to the Sun Microsystems, Inc. standard license agreement and applicable provisions of the FAR and its supplements.

Copyright 2004 Sun Microsystems, Inc. Tous droits réservés. Distribué par des licences qui en restreignent l'utilisation. Le logiciel détenu par des tiers, et qui comprend la technologie relative aux polices de caractères, est protégé par un copyright et licencié par des fournisseurs de Sun. Des parties de ce produit pourront être dérivées des systèmes Berkeley BSD licenciés par l'Université de Californie. Sun, Sun Microsystems, le logo Sun, Netra, et Solaris sont des marques de fabrique ou des marques déposées de Sun Microsystems, Inc. aux Etats-Unis et dans d'autres pays. Toutes les marques SPARC sont utilisées sous licence et sont des marques de fabrique ou des marques déposées de SPARC International, Inc. aux Etats-Unis et dans d'autres pays.



Sun Microsystems, Inc.
www.sun.com

Part No. 817-3904-11, Rev. A
February 2003