



# Sun Fire™ V1280/Netra™ 1280 Systems UltraSPARC™ III (Cu) 1.2 GHz CPU/Memory+ Board Upgrade

---



## **CAUTION READ ME FIRST**

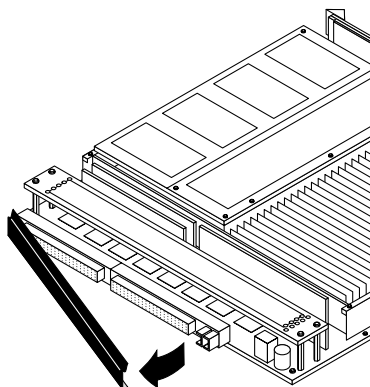


**Failure to follow these procedures will cause your system to not recognize the new CPU/Memory board. Firmware on all boards and assemblies must be at the same level as the new CPU/Memory board.**



**Caution** – Remove the plastic connector protector before inserting board into the system chassis.

---



## CPU/Memory+ Boards

Two types of CPU/Memory+ boards are available for Sun Fire™ V1280 and Netra™ 1280 systems:

- UltraSPARC™ III (Cu) 900 MHz processor—known as CPU/Memory+ 900 MHz board
- UltraSPARC III (Cu) 1.2 GHz processor—known as CPU/Memory+ 1.2 GHz board

---

**Note** – If purchased as a field-replaceable unit (FRU), the CPU/Memory+ board is for replacement use *only*. FRUs must not be used to upgrade CPU performance in systems. Such usage can violate United States export regulations.

---

## Firmware and Software Requirements

These are the minimum requirements for Sun Fire V1280/Netra 1280 CPU/Memory+ boards:

- CPU/Memory+ 900 MHz boards:
  - Firmware level 5.13.0012 or later and RTOS 23
  - Solaris™ 8 Operating System 2/02 or later
- CPU/Memory+ 1.2 GHz boards:
  - Firmware level 5.13.0013 or later and RTOS 23
  - Solaris 8 Operating System 2/02 or later

---

**Note** – The patch ID for 5.13.0012 is 113751-02, or later. The patch ID for 5.13.0013 is 113751-03, or later. You can find patches at:

<http://sunsolve.sun.com>

Installation information, Release Notes, and README files are included in the patch download.

---

## Checking the Firmware

- ♦ After installing new CPU/Memory boards, use the following command to determine if the firmware needs to be upgraded:

```
lom> showboards -p proms
```

If an upgrade is required, continue with “Upgrading the Firmware.”

## Upgrading the Firmware

Upgrade the firmware and RTOS images only when the image to install is different than the image that is already installed.

- ♦ To upgrade the firmware, RTOS, and all of the system boards (CPU/Memory and I/O assemblies), use the `flashupdate` command:

```
lom> flashupdate -f the appropriate URL all rtos
```

Refer to the system administration guide for correct usage of the `flashupdate` command.

## Accessing Sun Documentation

You can view, print, or purchase a broad selection of Sun documentation, including localized versions, at:

<http://www.sun.com/documentation>

## Contacting Sun Technical Support

If you have technical questions about this product that are not answered in this document, go to:

<http://www.sun.com/service/contacting>

## Sun Welcomes Your Comments

Sun is interested in improving its documentation and welcomes your comments and suggestions. You can submit your comments by going to:

<http://www.sun.com/hwdocs/feedback>

Please include the title and part number of your document with your feedback:

***Sun Fire V1280/Netra 1280 Systems UltraSPARC III (Cu) 1.2 GHz CPU/Memory+ Board Upgrade, part number 817-2969-10(v2)***

Copyright 2003 Sun Microsystems, Inc. All rights reserved. Use is subject to license terms. Third-party software, including font technology, is copyrighted and licensed from Sun suppliers. Portions may be derived from Berkeley BSD systems, licensed from U. of CA. Sun, Sun Microsystems, the Sun logo, Sun Fire, Netra, and Solaris are trademarks or registered trademarks of Sun Microsystems, Inc. in the U.S. and in other countries. All SPARC trademarks are used under license and are trademarks or registered trademarks of SPARC International, Inc. in the U.S. and in other countries. U.S. Government Rights—Commercial use. Government users are subject to the Sun Microsystems, Inc. standard license agreement and applicable provisions of the FAR and its supplements.

Copyright 2003 Sun Microsystems, Inc. Tous droits réservés. Distribué par des licences qui en restreignent l'utilisation. Le logiciel détenu par des tiers, et qui comprend la technologie relative aux polices de caractères, est protégé par un copyright et licencié par des fournisseurs de Sun. Des parties de ce produit pourront être dérivées des systèmes Berkeley BSD licenciés par l'Université de Californie. Sun, Sun Microsystems, le logo Sun, Sun Fire, Netra, et Solaris sont des marques de fabrique ou des marques déposées de Sun Microsystems, Inc. aux Etats-Unis et dans d'autres pays. Toutes les marques SPARC sont utilisées sous licence et sont des marques de fabrique ou des marques déposées de SPARC International, Inc. aux Etats-Unis et dans d'autres pays.



Sun Microsystems, Inc.  
[www.sun.com](http://www.sun.com)