



# Sun Fire™ 6800/4810/4800/3800 Systems Platform Administration Manual

---

Firmware Release 5.15.0

Sun Microsystems, Inc.  
4150 Network Circle  
Santa Clara, CA 95054 U.S.A.  
650-960-1300

Part No. 817-0999-10  
April 2003, Revision A

Send comments about this document to: [docfeedback@sun.com](mailto:docfeedback@sun.com)

Copyright 2003 Sun Microsystems, Inc., 4150 Network Circle, Santa Clara, California 95054, U.S.A. All rights reserved.

Sun Microsystems, Inc. has intellectual property rights relating to technology embodied in the product that is described in this document. In particular, and without limitation, these intellectual property rights may include one or more of the U.S. patents listed at <http://www.sun.com/patents> and one or more additional patents or pending patent applications in the U.S. and in other countries.

This document and the product to which it pertains are distributed under licenses restricting their use, copying, distribution, and decompilation. No part of the product or of this document may be reproduced in any form by any means without prior written authorization of Sun and its licensors, if any.

Third-party software, including font technology, is copyrighted and licensed from Sun suppliers.

Parts of the product may be derived from Berkeley BSD systems, licensed from the University of California. UNIX is a registered trademark in the U.S. and in other countries, exclusively licensed through X/Open Company, Ltd.

Sun, Sun Microsystems, the Sun logo, docs.sun.com, Sun Fire, OpenBoot, Sun StorEdge, and Solaris are trademarks or registered trademarks of Sun Microsystems, Inc. in the U.S. and in other countries.

All SPARC trademarks are used under license and are trademarks or registered trademarks of SPARC International, Inc. in the U.S. and in other countries. Products bearing SPARC trademarks are based upon an architecture developed by Sun Microsystems, Inc.

The OPEN LOOK and Sun™ Graphical User Interface was developed by Sun Microsystems, Inc. for its users and licensees. Sun acknowledges the pioneering efforts of Xerox in researching and developing the concept of visual or graphical user interfaces for the computer industry. Sun holds a non-exclusive license from Xerox to the Xerox Graphical User Interface, which license also covers Sun's licensees who implement OPEN LOOK GUIs and otherwise comply with Sun's written license agreements.

Use, duplication, or disclosure by the U.S. Government is subject to restrictions set forth in the Sun Microsystems, Inc. license agreements and as provided in DFARS 227.7202-1(a) and 227.7202-3(a) (1995), DFARS 252.227-7013(c)(1)(ii) (Oct. 1998), FAR 12.212(a) (1995), FAR 52.227-19, or FAR 52.227-14 (ALT III), as applicable.

DOCUMENTATION IS PROVIDED "AS IS" AND ALL EXPRESS OR IMPLIED CONDITIONS, REPRESENTATIONS AND WARRANTIES, INCLUDING ANY IMPLIED WARRANTY OF MERCHANTABILITY, FITNESS FOR A PARTICULAR PURPOSE OR NON-INFRINGEMENT, ARE DISCLAIMED, EXCEPT TO THE EXTENT THAT SUCH DISCLAIMERS ARE HELD TO BE LEGALLY INVALID.

---

Copyright 2003 Sun Microsystems, Inc., 4150 Network Circle, Santa Clara, California 95054, Etats-Unis. Tous droits réservés.

Sun Microsystems, Inc. a les droits de propriété intellectuelle relatifs à la technologie incorporée dans le produit qui est décrit dans ce document. En particulier, et sans la limitation, ces droits de propriété intellectuelle peuvent inclure un ou plus des brevets américains énumérés à <http://www.sun.com/patents> et un ou les brevets plus supplémentaires ou les applications de brevet en attente dans les Etats-Unis et dans les autres pays.

Ce produit ou document est protégé par un copyright et distribué avec des licences qui en restreignent l'utilisation, la copie, la distribution, et la décompilation. Aucune partie de ce produit ou document ne peut être reproduite sous aucune forme, par quelque moyen que ce soit, sans l'autorisation préalable et écrite de Sun et de ses bailleurs de licence, s'il y en a.

Le logiciel détenu par des tiers, et qui comprend la technologie relative aux polices de caractères, est protégé par un copyright et licencié par des fournisseurs de Sun.

Des parties de ce produit pourront être dérivées des systèmes Berkeley BSD licenciés par l'Université de Californie. UNIX est une marque déposée aux Etats-Unis et dans d'autres pays et licenciée exclusivement par X/Open Company, Ltd.

Sun, Sun Microsystems, le logo Sun, docs.sun.com, Sun Fire, OpenBoot, Sun StorEdge, et Solaris sont des marques de fabrique ou des marques déposées de Sun Microsystems, Inc. aux Etats-Unis et dans d'autres pays.

Toutes les marques SPARC sont utilisées sous licence et sont des marques de fabrique ou des marques déposées de SPARC International, Inc. aux Etats-Unis et dans d'autres pays. Les produits portant les marques SPARC sont basés sur une architecture développée par Sun Microsystems, Inc.

L'interface d'utilisation graphique OPEN LOOK et Sun™ a été développée par Sun Microsystems, Inc. pour ses utilisateurs et licenciés. Sun reconnaît les efforts de pionniers de Xerox pour la recherche et le développement du concept des interfaces d'utilisation visuelle ou graphique pour l'industrie de l'informatique. Sun détient une licence non exclusive de Xerox sur l'interface d'utilisation graphique Xerox, cette licence couvrant également les licenciés de Sun qui mettent en place l'interface d'utilisation graphique OPEN LOOK et qui en outre se conforment aux licences écrites de Sun.

LA DOCUMENTATION EST FOURNIE "EN L'ÉTAT" ET TOUTES AUTRES CONDITIONS, DECLARATIONS ET GARANTIES EXPRESSES OU TACITES SONT FORMELLEMENT EXCLUES, DANS LA MESURE AUTORISÉE PAR LA LOI APPLICABLE, Y COMPRIS NOTAMMENT TOUTE GARANTIE IMPLICITE RELATIVE A LA QUALITE MARCHANDE, A L'APTITUDE A UNE UTILISATION PARTICULIERE OU A L'ABSENCE DE CONTREFAÇON.



Adobe PostScript

# Contents

---

**Preface** xix

**1. Introduction** 1

Domains 2

System Components 3

Partitions 3

System Controller 8

Serial and Ethernet Ports 8

System Controller Logical Connection Limits 9

System Controller Firmware 9

Platform Administration 10

System Controller Tasks Completed at System Power-On 10

Domain Administration 11

Environmental Monitoring 12

Console Messages 12

Setting Up for Redundancy 13

Partition Redundancy 13

Domain Redundancy 14

▼ To Set Up or Reconfigure the Domains in Your System 14

▼ To Set Up Domains With Component Redundancy in a Sun Fire 6800 System	14
▼ To Use Dual-Partition Mode	15
CPU/Memory Boards	15
I/O Assemblies	17
Cooling	18
Power	19
Repeater Boards	20
System Clocks	21
Reliability, Availability, and Serviceability (RAS)	22
Reliability	22
POST	23
Component Location Status	23
Environmental Monitoring	25
System Controller Clock Failover	25
Error Checking and Correction	25
Availability	26
System Controller Failover Recovery	26
Error Diagnosis and Domain Recovery	27
Hung Domain Recovery	27
Unattended Power Failure Recovery	27
System Controller Reboot Recovery	28
Serviceability	28
LEDs	28
Nomenclature	28
System Controller Error Logging	29
System Controller XIR Support	29
System Error Buffer	29
Capacity on Demand Option	29

Dynamic Reconfiguration Software	30
IP Multipathing (IPMP) Software	31
Sun Management Center Software for the Sun Fire 6800/4810/4800/3800 Systems	31
FrameManager	32
<b>2. System Controller Navigation Procedures</b>	<b>33</b>
Connection to the System Controller	33
Obtaining the Platform Shell	34
▼ To Obtain the Platform Shell Using <code>telnet</code>	34
▼ To Initiate a Serial Connection With <code>tip</code>	35
▼ To Obtain the Platform Shell Using the Serial Port	35
Obtaining a Domain Shell or Console	36
▼ To Obtain the Domain Shell Using <code>telnet</code>	36
▼ To Obtain the Domain Shell From the Domain Console	37
System Controller Navigation	38
▼ To Enter the Domain Console From the Domain Shell If the Domain Is Inactive	40
▼ To Enter the Domain Shell From the Domain Console	41
▼ To Get Back to the Domain Console From the Domain Shell	41
▼ To Enter a Domain From the Platform Shell	42
Terminating Sessions	42
▼ To Terminate an Ethernet Connection With <code>telnet</code>	42
▼ To Terminate a Serial Connection With <code>tip</code>	43
<b>3. System Power On and Setup</b>	<b>45</b>
Setting Up the Hardware	47
▼ To Install and Cable the Hardware	47
▼ To Set Up Additional Services Before System Power On	48
▼ To Power On the Hardware	49

- ▼ To Power On the Power Grids 49
- Setting Up the Platform 49
  - ▼ To Set the Date and Time for the Platform 50
  - ▼ To Set a Password for the Platform 50
  - ▼ To Configure Platform Parameters 51
- Setting Up Domain A 51
  - ▼ To Access the Domain 52
  - ▼ To Set the Date and Time for Domain A 52
  - ▼ To Set a Password for Domain A 52
  - ▼ To Configure Domain-Specific Parameters 53
- Saving the Current Configuration to a Server 54
  - ▼ To Use `dumpconfig` to Save Platform and Domain Configurations 54
- Installing and Booting the Solaris Operating Environment 55
  - ▼ To Install and Boot the Solaris Operating Environment 55
- 4. Creating and Starting Multiple Domains 57**
  - Creating and Starting Domains 57
    - ▼ To Create Multiple Domains 57
    - ▼ To Create a Second Domain 59
    - ▼ To Create a Third Domain on a Sun Fire 6800 System 60
    - ▼ To Start a Domain 61
- 5. Security 63**
  - Security Threats 63
  - System Controller Security 64
    - setupplatform and setupdomain Parameter Settings 65
    - Setting and Changing Passwords for the Platform and the Domain 65
  - Domains 65
    - Domain Separation 65

setkeyswitch Command	67
Solaris Operating Environment Security	68
SNMP	68
<b>6. General Administration</b>	<b>69</b>
Powering Off and On the System	69
Powering Off the System	70
▼ To Power Off the System	70
▼ To Power On the System	72
Setting Keyswitch Positions	73
▼ To Power On a Domain	74
Shutting Down Domains	74
▼ To Shut Down a Domain	74
Assigning and Unassigning Boards	75
▼ To Assign a Board to a Domain	76
▼ To Unassign a Board From a Domain	78
Swapping Domain HostID/MAC Addresses	79
▼ To Swap the HostID/MAC Address Between Two Domains	79
▼ To Restore the HostID/MAC Address Swapped Between Domains	81
Upgrading the Firmware	83
Saving and Restoring Configurations	83
Using the dumpconfig Command	84
Using the restoreconfig Command	84
<b>7. Diagnosis and Domain Restoration</b>	<b>85</b>
Diagnosis and Domain Restoration Overview	85
Auto-Diagnosis and Auto-Restoration	85
Automatic Recovery of Hung Domains	88
Domain Restoration Controls	89

The syslog Loghost	89
Domain Parameters	89
Obtaining Auto-Diagnosis and Domain Restoration Information	90
Reviewing Auto-Diagnosis Event Messages	90
Reviewing Component Status	92
Reviewing Additional Error Information	95
<b>8. System Controller Failover</b>	<b>97</b>
SC Failover Overview	97
What Triggers an Automatic Failover	98
What Happens During a Failover	98
SC Failover Prerequisites	100
Conditions That Affect Your SC Failover Configuration	101
Managing SC Failover	101
▼ To Disable SC Failover	102
▼ To Enable SC Failover	102
▼ To Perform a Manual SC Failover	102
▼ To Obtain Failover Status Information	103
Recovering After an SC Failover	105
▼ To Recover After an SC Failover Occurs	105
<b>9. Troubleshooting</b>	<b>107</b>
Capturing and Collecting System Information	107
Platform, Domain, and System Messages	108
Platform and Domain Status Information From System Controller Commands	109
Diagnostic and System Configuration Information From Solaris Operating Environment Commands	110
Domain Not Responding	111
▼ To Recover From a Hung Domain	112



Board and Component Failures	112
Handling Component Failures	113
▼ To Handle Failed Components	113
Recovering from a Repeater Board Failure	114
<b>10. Capacity on Demand</b>	<b>115</b>
COD Overview	115
COD Licensing Process	116
COD RTU License Allocation	116
Instant Access CPUs	117
Resource Monitoring	118
Getting Started with COD	118
Managing COD RTU Licenses	119
▼ To Obtain and Add a COD RTU License Key to the COD License Database	119
▼ To Delete a COD License Key From the COD License Database	120
▼ To Review COD License Information	121
Activating COD Resources	123
▼ To Enable Instant Access CPUs and Reserve Domain RTU Licenses	124
Monitoring COD Resources	125
COD CPU/Memory Boards	125
▼ To Identify COD CPU/Memory Boards	126
COD Resource Usage	126
▼ To View COD Usage by Resource	127
▼ To View COD Usage by Domain	128
▼ To View COD Usage by Resource and Domain	129
COD-Disabled CPUs	129
Other COD Information	131
<b>11. Testing System Boards</b>	<b>133</b>

Testing a CPU/Memory Board 133

- ▼ To Test a CPU/Memory Board 134

Testing an I/O Assembly 134

- ▼ To Test an I/O Assembly 134

## **12. Removing and Replacing Boards 139**

CPU/Memory Boards and I/O Assemblies 140

- ▼ To Remove and Replace a System Board 140
- ▼ To Unassign a Board From a Domain or Disable a System Board 143
- ▼ To Hot-Swap a CPU/Memory Board Using DR 143
- ▼ To Hot-Swap an I/O Assembly Using DR 144

CompactPCI and PCI Cards 145

- ▼ To Remove and Replace a PCI Card 146
- ▼ To Remove and Replace a CompactPCI Card 146

Repeater Board 147

- ▼ To Remove and Replace a Repeater Board 147

System Controller Board 148

- ▼ To Remove and Replace the System Controller Board in a Single SC Configuration 148
- ▼ To Remove and Replace a System Controller Board in a Redundant SC Configuration 150

ID Board and Centerplane 151

- ▼ To Remove and Replace ID Board and Centerplane 152

### **A. Mapping Device Path Names 155**

Device Mapping 155

CPU/Memory Mapping 155

I/O Assembly Mapping 157

PCI I/O Assembly 158

CompactPCI I/O Assembly 163

- ▼ To Determine an I/O Physical Slot Number Using an I/O Device Path 163
  
- B. Setting Up an HTTP or FTP Server: Examples 169**
  - Setting Up the Firmware Server 169
    - ▼ To Set Up an HTTP Server 170
    - ▼ To Set Up an FTP Server 172
  
- Glossary 175**
  
- Index 177**



# Figures

---

FIGURE 1-1	Sun Fire 6800 System in Single-Partition Mode	5
FIGURE 1-2	Sun Fire 6800 System in Dual-Partition Mode	5
FIGURE 1-3	Sun Fire 4810/4800 Systems in Single-Partition Mode	6
FIGURE 1-4	Sun Fire 4810/4800 Systems in Dual-Partition Mode	6
FIGURE 1-5	Sun Fire 3800 System in Single-Partition Mode	7
FIGURE 1-6	Sun Fire 3800 System in Dual-Partition Mode	7
FIGURE 2-1	Navigating Between the Platform Shell and the Domain Shell	38
FIGURE 2-2	Navigating Between the Domain Shell, the OpenBoot PROM, and the Solaris Operating Environment	39
FIGURE 2-3	Navigating Between the OpenBoot PROM and the Domain Shell	40
FIGURE 3-1	Flowchart of Power On and System Setup Steps	46
FIGURE 5-1	System With Domain Separation	67
FIGURE 7-1	Error Diagnosis and Domain Restoration Process	86
FIGURE A-1	Sun Fire 6800 System PCI Physical Slot Designations for IB6 Through IB9	161
FIGURE A-2	Sun Fire 4810/4800 Systems PCI Physical Slot Designations for IB6 and IB8	162
FIGURE A-3	Sun Fire 3800 System 6-Slot CompactPCI Physical Slot Designations	165
FIGURE A-4	Sun Fire 4810/4800 Systems 4-Slot CompactPCI Physical Slot Designations	167
FIGURE A-5	Sun Fire 6800 System 4-Slot CompactPCI Physical Slot Designations for IB6 through IB9	168



# Tables

---

TABLE 1-1	Repeater Boards in the Sun Fire 6800/4810/4800/3800 Systems	3
TABLE 1-2	Maximum Number of Partitions and Domains Per System	4
TABLE 1-3	Board Name Descriptions	4
TABLE 1-4	Functions of System Controller Boards	8
TABLE 1-5	Serial Port and Ethernet Port Features on the System Controller Board	9
TABLE 1-6	Boards in Power Grid 0 and Power Grid 1 on the Sun Fire 6800 System	15
TABLE 1-7	Maximum Number of CPU/Memory Boards in Each System	16
TABLE 1-8	Maximum Number of I/O Assemblies and I/O Slots per I/O Assembly	17
TABLE 1-9	Configuring for I/O Redundancy	17
TABLE 1-10	Minimum and Maximum Number of Fan Trays	18
TABLE 1-11	Minimum and Redundant Power Supply Requirements	19
TABLE 1-12	Sun Fire 6800 System Components in Each Power Grid	20
TABLE 1-13	Repeater Board Assignments by Domains in the Sun Fire 6800 System	20
TABLE 1-14	Repeater Board Assignments by Domains in the Sun Fire 4810/4800/3800 Systems	21
TABLE 1-15	Sun Fire 6800 Domain and Repeater Board Configurations for Single- and Dual-Partitioned Systems	21
TABLE 1-16	Sun Fire 4810/4800/3800 Domain and Repeater Board Configurations for Single- and Dual-Partitioned Systems	21
TABLE 1-17	Component Locations	23
TABLE 1-18	ECC Error Classes	26
TABLE 1-19	Results of <code>setkeyswitch</code> Settings During a Power Failure	28

TABLE 1-20	IPMP Features	31
TABLE 3-1	Services to Be Set Up Before System Power On	48
TABLE 3-2	Steps in Setting Up Domains Including the <code>dumpconfig</code> Command	54
TABLE 4-1	Guidelines for Creating Three Domains on the Sun Fire 6800 System	61
TABLE 6-1	Overview of Steps to Assign a Board to a Domain	75
TABLE 6-2	Overview of Steps to Unassign a Board From a Domain	75
TABLE 7-1	Diagnostic and Domain Recovery Parameters in the <code>setupdomain</code> Command	90
TABLE 9-1	Capturing Error Messages and Other System Information	108
TABLE 9-2	System Controller Commands that Display Platform and Domain Status Information	109
TABLE 9-3	Adjusting Domain Resources When a Repeater Board Fails	114
TABLE 10-1	COD License Information	121
TABLE 10-2	<code>setupplatform</code> Command Options for COD Resource Configuration	123
TABLE 10-3	<code>showcodusage</code> Resource Information	127
TABLE 10-4	<code>showcodusage</code> Domain Information	128
TABLE 10-5	Obtaining COD Configuration and Event Information	131
TABLE 12-1	Repeater Boards and Domains	147
TABLE A-1	CPU and Memory Agent ID Assignment	156
TABLE A-2	I/O Assembly Type and Number of Slots per I/O Assembly by System Type	157
TABLE A-3	Number and Name of I/O Assemblies per System	157
TABLE A-4	I/O Controller Agent ID Assignments	158
TABLE A-5	8-Slot PCI I/O Assembly Device Map for the Sun Fire 6800/4810/4810 Systems	159
TABLE A-6	Mapping Device Path to I/O Assembly Slot Numbers for Sun Fire 3800 Systems	164
TABLE A-7	Mapping Device Path to I/O Assembly Slot Numbers for Sun Fire 6800/4810/4800 Systems	165



# Code Examples

---

CODE EXAMPLE 2-1	Obtaining the Platform Shell With <code>telnet</code>	34
CODE EXAMPLE 2-2	Obtaining a Domain Shell With <code>telnet</code>	36
CODE EXAMPLE 2-3	Obtaining a Domain Shell From the Domain Console	37
CODE EXAMPLE 2-4	Obtaining a Domain Shell From the Domain Console	37
CODE EXAMPLE 2-5	Obtaining a Domain Shell From the Domain Console	41
CODE EXAMPLE 2-6	Ending a <code>tip</code> Session	44
CODE EXAMPLE 3-1	<code>password</code> Command Example For a Domain With No Password Set	52
CODE EXAMPLE 3-2	Sample Boot Error Message When the <code>auto-boot?</code> Parameter Is Set to <code>true</code>	56
CODE EXAMPLE 6-1	Displaying the Status of All Domains With the <code>showplatform -p status</code> Command	70
CODE EXAMPLE 6-2	<code>showboards -a</code> Example Before Assigning a Board to a Domain	76
CODE EXAMPLE 7-1	Example of Auto-Diagnosis Event Message Displayed on the Platform Console	87
CODE EXAMPLE 7-2	Example of Domain Message Output for Automatic Domain Recovery After the Domain Heartbeat Stops	88
CODE EXAMPLE 7-3	Example of Domain Console Output for Automatic Domain Recovery After the Domain Does Not Respond to Interrupts	89
CODE EXAMPLE 7-4	Example of Domain Console Auto-Diagnostic Message Involving Multiple FRUs	92
CODE EXAMPLE 7-5	Example of Domain Console Auto-Diagnostic Message Involving an Unresolved Diagnosis	92
CODE EXAMPLE 7-6	<code>showboards</code> Command Output – Disabled and Degraded Components	93
CODE EXAMPLE 7-7	<code>showcomponent</code> Command Output – Disabled Components	94
CODE EXAMPLE 7-8	<code>showerrorbuffer</code> Command Output – Hardware Error	95

CODE EXAMPLE 8-1	Messages Displayed During an Automatic Failover	98
CODE EXAMPLE 8-2	<code>showfailover</code> Command Output Example	103
CODE EXAMPLE 8-3	<code>showfailover</code> Command Output – Failover Degraded Example	104
CODE EXAMPLE 10-1	Domain Console Log Output Containing Disabled COD CPUs	130
CODE EXAMPLE 10-2	<code>showcomponent</code> Command Output – Disabled COD CPUs	130
CODE EXAMPLE 12-1	Confirming Board ID Information	153
CODE EXAMPLE 12-2	ID Information to Enter Manually	153
CODE EXAMPLE B-1	Locating the <code>Port 80</code> Value in <code>httpd.conf</code>	170
CODE EXAMPLE B-2	Locating the <code>ServerAdmin</code> Value in <code>httpd.conf</code>	171
CODE EXAMPLE B-3	Locating the <code>ServerName</code> Value in <code>httpd.conf</code>	171
CODE EXAMPLE B-4	Starting Apache	171

# Preface

---

This book provides an overview of the system and presents a step-by-step description of common administration procedures. It explains how to configure and manage the platform and domains. It also explains how to remove and replace components and perform firmware upgrades. It contains information about security, troubleshooting, and a glossary of technical terms.

---

## How This Book Is Organized

Chapter 1 describes domains and the system controller. It provides an overview of partitions and domains, redundant system components, and minimum system configurations. This chapter also provides an overview of reliability, serviceability, and availability.

Chapter 2 explains how to navigate between the platform and domain shells, between the Solaris™ operating environment and the domain shell, or between the OpenBoot™ PROM and the domain shell. This chapter also explains how to terminate a system controller session.

Chapter 3 explains how to power on and set up the system for the first time.

Chapter 4 explains how to create and start multiple domains.

Chapter 5 presents information on security.

Chapter 6 provides information on general administrative tasks, such as powering on and powering off the system. It also explains how to update firmware.

Chapter 7 describes the error diagnosis and domain restoration features of the firmware.

Chapter 8 describes how system controller failover works.

Chapter 9 provides troubleshooting information about system faults and procedures for gathering diagnostic information, recovering from a hung domain, and handling component failures.

Chapter 10 describes the Capacity on Demand (COD) option and how to allocate, activate, and monitor COD resources.

Chapter 11 describes how to test boards.

Chapter 12 describes the firmware steps necessary to remove and install a CPU/Memory board, I/O assembly, Compact PCI card, PCI card, Repeater board, System Controller board, and ID board/centerplane.

Appendix A describes how to map device path names to physical system devices.

Appendix B provides examples of setting up an HTTP and FTP server.

---

## Using UNIX Commands

This book assumes you are experienced with the UNIX<sup>®</sup> operating environment. If you are not experienced with the UNIX operating environment, see one or more of the following for this information:

- Online documentation for the Solaris operating environment available at:  
`http://www.sun.com/documentation`
- *Sun Hardware Platform Guide*, which is available in both hard copy and online with your operating system release, describes the Solaris operating environment information specific to Sun Fire systems.
- *Release Notes Supplement for Sun Hardware* describes late-breaking information about the Solaris operating environment.
- Other software documentation that you received with your system.

---

# Typographic Conventions

Typeface*	Meaning	Examples
AaBbCc123	The names of commands, files, and directories; on-screen computer output	Edit your <code>.login</code> file. Use <code>ls -a</code> to list all files. % You have mail.
<b>AaBbCc123</b>	What you type, when contrasted with on-screen computer output	% <b>su</b> Password:
<i>AaBbCc123</i>	Book titles, new words or terms, words to be emphasized. Replace command-line variables with real names or values.	Read Chapter 6 in the <i>User's Guide</i> . These are called <i>class</i> options. You <i>must</i> be superuser to do this. To delete a file, type <code>rm filename</code> .

\* The settings on your browser might differ from these settings.

---

# Shell Prompts

Shell	Prompt
C shell	<i>machine-name%</i>
C shell superuser	<i>machine-name#</i>
Bourne shell and Korn shell	\$
Bourne shell and Korn shell superuser	#

---

## Related Documentation

Type of Book	Title	Part Number
Release Notes	<i>Sun Fire 6800/4810/4800/3800 Systems Firmware 5.15.0 Release Notes</i>	817-1001
System Controller	<i>Sun Fire 6800/4810/4800/3800 System Controller Command Reference Manual</i>	817-1000
Overview	<i>Sun Fire 6800/4810/4800/3800 Systems Overview Manual</i>	805-7362
Service	<i>Sun Fire 6800/4810/4800/3800 Systems Service Manual</i>	805-7363
Service	<i>Sun Fire 4810/4800/3800 System Cabinet Mounting Guide</i>	806-6781
Solaris operating environment	<i>Sun Hardware Platform Guide</i>	Varies with release
Solaris operating environment	<i>Release Notes Supplement for Sun Hardware</i>	Varies with release

---

## Accessing Sun Documentation

You can view, print, or purchase a broad selection of Sun documentation, including localized versions, at:

<http://www.sun.com/documentation>

---

## Contacting Sun Technical Support

If you have technical questions about this product that are not answered in this document, go to:

<http://www.sun.com/service/contacting>

---

# Sun Welcomes Your Comments

Sun is interested in improving its documentation and welcomes your comments and suggestions. You can submit your comments by going to:

<http://www.sun.com/hwdocs/feedback>

Please include the title and part number of your document with your feedback:

*Sun Fire 6800/4810/4800/3800 Systems Platform Administration Manual*, part number 817-0999-10





# Introduction

---

This chapter presents an introduction of features for the family of midframe servers—the Sun Fire™ 6800/4810/4800/3800 systems. This chapter describes:

- “Domains” on page 2
- “System Components” on page 3
- “Partitions” on page 3
- “System Controller” on page 8
- “Setting Up for Redundancy” on page 13
- “Reliability, Availability, and Serviceability (RAS)” on page 22
- “Capacity on Demand Option” on page 29
- “Sun Management Center Software for the Sun Fire 6800/4810/4800/3800 Systems” on page 31
- “FrameManager” on page 32

The term *platform*, as used in this book, refers to the collection of resources such as power supplies, the centerplane, and fans that are *not* for the exclusive use of a domain.

A *partition*, also referred to as a *segment*, is a group of Repeater boards that are used together to provide communication between CPU/Memory boards and I/O assemblies in the same domain.

A *domain* runs its own instance of the Solaris operating environment and is independent of other domains. Each domain has its own CPUs, memory, and I/O assemblies. Hardware resources including fans and power supplies are shared among domains, as necessary for proper operation.

The system controller is an embedded system that connects into the centerplane of these midframe systems. You access the system controller using either serial or Ethernet connections. It is the focal point for platform and domain configuration and management and is used to connect to the domain consoles.

The system controller configures and monitors the hardware in the system and provides a command line interface that enables you to perform tasks needed to configure the platform and each domain. The system controller also provides

monitoring and configuration capability with SNMP for use with the Sun Management Center software. For more information on the system controller hardware and software, see “System Controller” on page 8 and “System Controller Firmware” on page 9.

---

## Domains

With this family of midframe systems, you can group system boards (CPU/Memory boards and I/O assemblies) into domains. Each domain can host its own instance of the Solaris operating environment and is independent of other domains.

Domains include the following features:

- Each domain is able to run the Solaris operating environment.
- Domains do not interact with each other.
- Each domain has its own peripheral and network connections.
- Each domain is assigned its own unique host ID.

All systems are configured at the factory with one domain.

You create domains by using either the system controller command line interface or the Sun™ Management Center. How to create domains using the system controller software is described in “Creating and Starting Domains” on page 57. For instructions on how to create domains using the Sun Management Center, refer to the *Sun Management Center Supplement for Sun Fire 6800/4810/4800/3800 Systems*.

The largest domain configuration is comprised of all CPU/Memory boards and I/O assemblies in the system. The smallest domain configuration consists of one CPU/Memory board and one I/O assembly.

An active domain must meet these requirements:

- Minimum of one CPU/Memory board with memory
- Minimum of one I/O assembly with one I/O card installed
- Required number of Repeater boards (not assigned to a domain; see TABLE 1-1)
- Minimum of one system controller

In addition, sufficient power and cooling is required. The power supplies and fan trays are not assigned to a domain.

If you run more than one domain in a partition, then the domains are not completely isolated. A failed Repeater board could affect all domains within the partition. For more information, see “Repeater Boards” on page 20.

---

**Note** – If a Repeater board failure affects a domain running host-licensed software, it is possible to continue running that software by swapping the HostID/MAC address of the affected domain with that of an available domain. For details, see “Swapping Domain HostID/MAC Addresses” on page 79.

---

---

## System Components

The system boards in each system consist of CPU/Memory boards and I/O assemblies. The Sun Fire 6800/4810/4800 systems have Repeater boards (TABLE 1-1), which provide communication between CPU/Memory boards and I/O assemblies.

**TABLE 1-1** Repeater Boards in the Sun Fire 6800/4810/4800/3800 Systems

System	Boards Required per Partition	Total Number of Boards per System
Sun Fire 6800 system	2	4—RP0, RP1, RP2, RP3
Sun Fire 4810 system	1	2—RP0, RP2
Sun Fire 4800 system	1	2—RP0, RP2
Sun Fire 3800 system	N/A	Equivalent of two Repeater boards (RP0 and RP2) are built into an active centerplane.

For a system overview, including descriptions of the boards in the system, refer to the *Sun Fire 6800/4810/4800/3800 Systems Overview Manual*.

---

## Partitions

A partition is a group of Repeater boards that are used together to provide communication between CPU/Memory boards and I/O assemblies. Depending on the system configuration, each partition can be used by either one or two domains.

These systems can be configured to have one or two partitions. Partitioning is done at the Repeater board level. A single-mode partition forms one large partition using all of the Repeater boards. In dual-partition mode, two smaller partitions using fewer Repeater boards are created. For more information on Repeater boards, see “Repeater Boards” on page 20.

TABLE 1-2 lists the maximum number of partitions and domains each system can have.

**TABLE 1-2** Maximum Number of Partitions and Domains Per System

	Sun Fire 6800 System	Sun Fire 4810/4800/3800 Systems
Number of Partitions <sup>1</sup>	1 or 2	1 or 2
Number of Active Domains in Dual-Partition Mode	Up to 4 (A, B, C, D)	Up to 2 (A, C)
Number of Active Domains in Single-Partition Mode	Up to 2 (A, B)	Up to 2 (A, B)

<sup>1</sup> The default is one partition.

FIGURE 1-1 through FIGURE 1-6 show partitions and domains for the Sun Fire 6800/4810/4800/3800 systems. The Sun Fire 3800 system has the equivalent of two Repeater boards, RP0 and RP2, as part of the active centerplane. The Repeater boards are *not* installed in the Sun Fire 3800 system as they are for the other systems. Instead, the Repeater boards in the Sun Fire 3800 system are integrated into the centerplane.

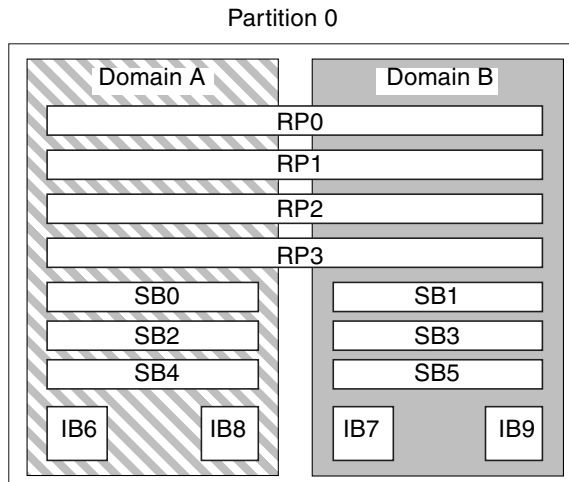
All of these systems are very flexible, and you can assign CPU/Memory boards and I/O assemblies to any domain or partition. The configurations shown in the following illustrations are examples only and your configuration may differ.

TABLE 1-3 describes the board names used in FIGURE 1-1 through FIGURE 1-6.

**TABLE 1-3** Board Name Descriptions

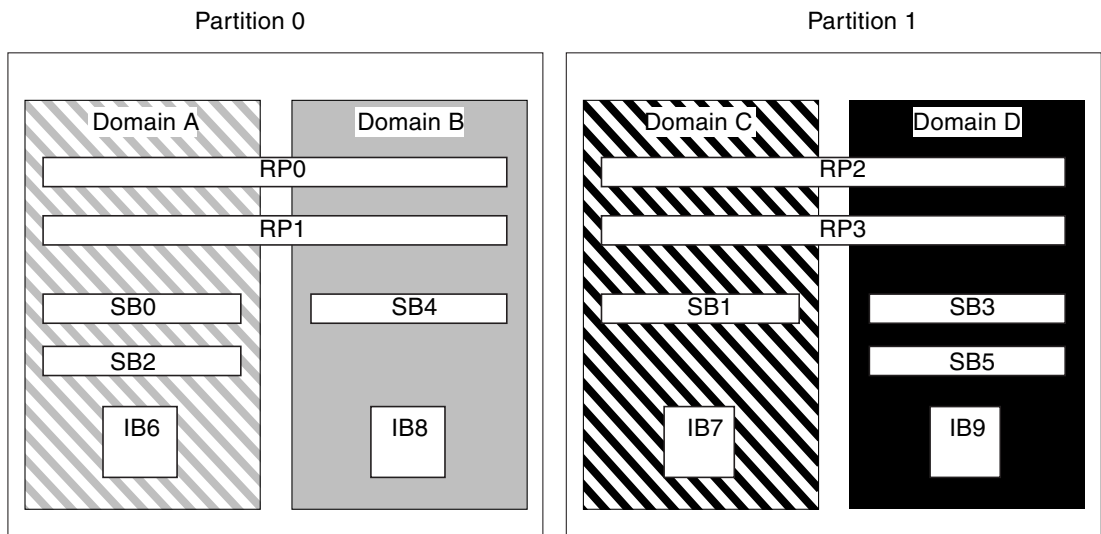
Board Name	Description
SB0 – SB5	CPU/Memory boards
IB6 – IB9	I/O assemblies
RP0 – RP3	Repeater boards

FIGURE 1-1 shows the Sun Fire 6800 system in single-partition mode. This system has four Repeater boards that operate in pairs (RP0, RP1) and (RP2, RP3), six CPU/Memory boards (SB0 - SB5), and four I/O assemblies (IB6 - IB9).



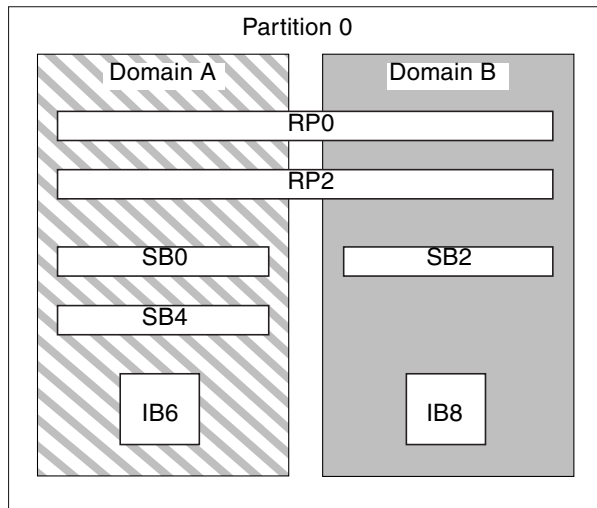
**FIGURE 1-1** Sun Fire 6800 System in Single-Partition Mode

FIGURE 1-2 shows the Sun Fire 6800 system in dual-partition mode. The same boards and assemblies are shown as in FIGURE 1-1.



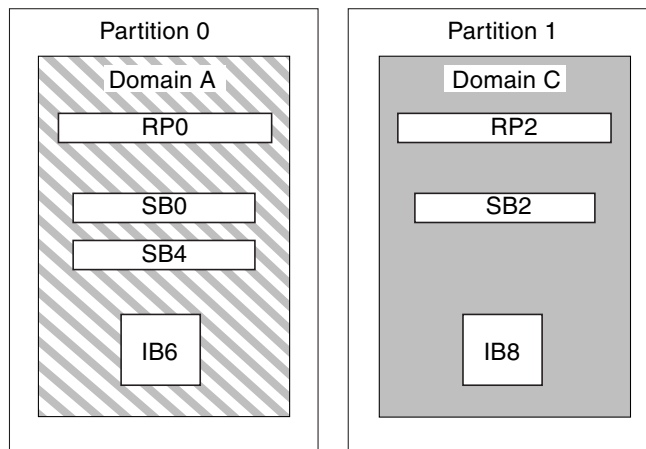
**FIGURE 1-2** Sun Fire 6800 System in Dual-Partition Mode

FIGURE 1-3 shows the Sun Fire 4810/4800 systems in single-partition mode. These systems have two Repeater boards (RP0 and RP2) that operate separately (not in pairs as in the Sun Fire 6800 system), three CPU/Memory boards (SB0, SB2, and SB4), and two I/O assemblies (IB6 and IB8).



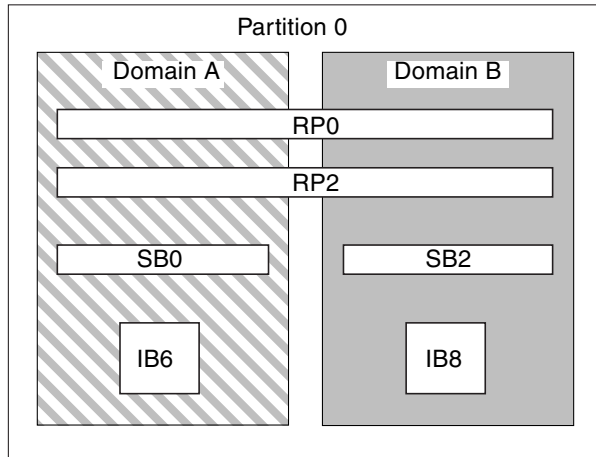
**FIGURE 1-3** Sun Fire 4810/4800 Systems in Single-Partition Mode

FIGURE 1-4 shows the Sun Fire 4810/4800 systems in dual-partition mode. The same boards and assemblies are shown as in FIGURE 1-3.



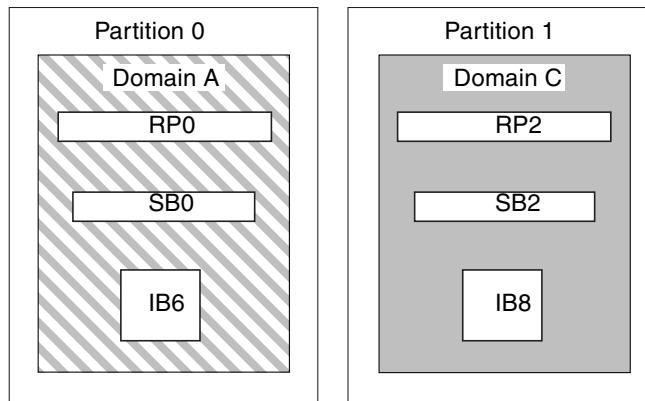
**FIGURE 1-4** Sun Fire 4810/4800 Systems in Dual-Partition Mode

FIGURE 1-5 shows the Sun Fire 3800 system in single-partition mode. This system has the equivalent of two Repeater boards (RP0 and RP2) integrated into the active centerplane, two CPU/Memory boards (SB0 and SB2), and two I/O assemblies (IB6 and IB8).



**FIGURE 1-5** Sun Fire 3800 System in Single-Partition Mode

FIGURE 1-6 shows the Sun Fire 3800 system in dual-partition mode. The same boards and assemblies are shown as in FIGURE 1-5. This system also has the equivalent of two Repeater boards, RP0 and RP2, integrated into the active centerplane.



**FIGURE 1-6** Sun Fire 3800 System in Dual-Partition Mode

---

# System Controller

The system controller is an embedded system that connects into the centerplane of the Sun Fire midframe systems. It is the focal point for platform and domain configuration and management and is used to connect to the domain consoles.

System controller functions include:

- Managing platform and domain resources
- Monitoring the platform and domains
- Configuring the domains and the platform
- Providing access to the domain consoles
- Providing the date and time to the Solaris operating environment
- Providing the reference clock signal used throughout the system
- Providing console security
- Performing domain initialization
- Providing a mechanism for upgrading firmware on the boards installed in the system
- Providing an external management interface using SNMP

The system can support up to two System Controller boards (TABLE 1-4) that function as a main and spare system controller. This redundant configuration of system controllers supports the SC failover mechanism, which triggers the automatic switchover of the main SC to the spare if the main SC fails. For details on SC failover, see Chapter 8.

**TABLE 1-4** Functions of System Controller Boards

System Controller	Function
Main	Manages all system resources. Configure your system to connect to the main System Controller board.
Spare	If the main system controller fails and a failover occurs, the spare assumes all system controller tasks formerly handled by the main system controller. The spare system controller functions as a hot standby, and is used only as a backup for the main system controller.

## Serial and Ethernet Ports

There are two methods to connect to the system controller console:

- Serial port — Use the serial port to connect directly to an ASCII terminal or to a network terminal server (NTS).



- Ethernet port — Use the Ethernet port to connect to the network.

For performance reasons, it is suggested that the system controllers be configured on a private network. For details, refer to the article, *Sun Fire Midframe Server Best Practices for Administration*, at

<http://www.sun.com/blueprints>

TABLE 1-5 describes the features of the serial port and the Ethernet port on the System Controller board. The Ethernet port provides the fastest connection.

**TABLE 1-5** Serial Port and Ethernet Port Features on the System Controller Board

Capability	Serial Port	Ethernet Port
Number of connections	One	Multiple
Connection speed	9.6 Kbps	10/100 Mbps
System logs	Remain in the system controller message queue	Remain in the system controller message queue and are written to the configured <code>syslog</code> host(s). See TABLE 3-1 for instructions on setting up the platform and domain loghosts. Loghosts capture error messages regarding system failures and can be used to troubleshoot system failures.
SNMP	Not supported	Supported
Firmware upgrades	No	Yes (using the <code>flashupdate</code> command)
Security	<ul style="list-style-type: none"> <li>• Secure physical location plus secure terminal server</li> <li>• Password protection to the platform and domain shells</li> </ul>	Password-protected access only

## System Controller Logical Connection Limits

The system controller supports one logical connection on the serial port and multiple logical connections with `telnet` on the Ethernet port. Connections can be set up for either the platform or one of the domains. Each domain can have *only one* logical connection at a time.

## System Controller Firmware

The sections that follow provide information on the system controller firmware, including:

- Platform Administration
- System Controller Tasks Completed at System Power-On
- Domain Administration
- Environmental Monitoring
- Console Messages

## Platform Administration

The platform administration function manages resources and services that are shared among the domains. With this function, you can determine how resources and services are configured and shared.

Platform administration functions include:

- Monitoring and controlling power to the components
- Logically grouping hardware to create domains
- Configuring the system controller's network, loghost, and SNMP settings
- Determining which domains can be used
- Determining how many domains can be used (Sun Fire 6800 system only)
- Configuring access control for CPU/Memory boards and I/O assemblies

### *Platform Shell*

The platform shell is the operating environment for the platform administrator. Only commands that pertain to platform administration are available. To connect to the platform, see "Obtaining the Platform Shell" on page 34.

### *Platform Console*

The platform console is the system controller serial port, where the system controller boot messages and platform log messages are printed.

---

**Note** – The Solaris operating environment messages are displayed on the domain console.

---

## System Controller Tasks Completed at System Power-On

When you power on the system, the system controller boots the real time operating system and starts the system controller application.

If there was an interruption of power, additional tasks completed at system power-on include:

- If a domain is active, the system controller turns on components needed to support the active domain (power supplies, fan trays, and Repeater boards) as well as the boards in the domain (CPU/Memory boards and I/O assemblies).
- If no domains are active, only the system controller is powered on.
- The system controller reboots any domains that were active when the system lost power.

## Domain Administration

The domain administration function manages resources and services for a specific domain.

Domain administration functions include:

- Configuring the domain settings
- Controlling the virtual keyswitch
- Recovering errors

For platform administration functions, see “Platform Administration” on page 10.

### *Domain Shell*

The domain shell is the operating environment for the domain administrator and is where domain tasks can be performed. There are four domain shells (A – D).

To connect to a domain, see “Obtaining a Domain Shell or Console” on page 36.

### *Domain Console*

If the domain is active (Solaris operating environment, the OpenBoot PROM, or POST is running in the domain), you can access the domain console. When you connect to the domain console, you will be at one of the following modes of operation:

- Solaris operating environment console
- OpenBoot PROM
- Domain will be running POST and you can view the POST output.

### *Maximum Number of Domains*

The domains that are available vary with the system type and configuration. For more information on the maximum number of domains you can have, see “Partitions” on page 3.

## *Domain Keyswitch*

Each domain has a virtual keyswitch. You can set five keyswitch positions: off (default), standby, on, diag, and secure.

For information on keyswitch settings, see “Setting Keyswitch Positions” on page 73. For a description and syntax of the `setkeyswitch` command, refer to the *Sun Fire 6800/4810/4800/3800 System Controller Command Reference Manual*.

## Environmental Monitoring

Sensors throughout the system monitor temperature, voltage, current, and fan speed. The system controller periodically reads the values from each of these sensors. This information is maintained for display using the console commands and is available to Sun Management Center through SNMP.

When a sensor is generating values that are outside of the normal limits, the system controller takes appropriate action. This includes shutting down components in the system to prevent damage. Domains may be automatically paused as a result. If domains are paused, an abrupt hardware pause occurs (it is not a graceful shutdown of the Solaris operating environment).

## Console Messages

The console messages generated by the system controller for the platform and for each domain are printed on the appropriate console. The messages are stored in a buffer on the system controller.

The system controller *does not have* permanent storage for console messages. Both the platform and each domain have a small buffer that maintains some history. However, this information is lost when the system is rebooted or the system controller loses power.

To enhance accountability and for long-term storage, it is strongly suggested that you set up a `syslog` host so that the platform and domain console messages are sent to the `syslog` host. Be aware that these messages are *not* the Solaris operating environment console messages.

---

# Setting Up for Redundancy

To minimize single points of failure, configure system resources using redundant components, which allows domains to remain functional. Component failures can be quickly and transparently handled when using redundant components.

For troubleshooting tips to perform if a board or component fails, see “Board and Component Failures” on page 112.

This section covers these topics:

- Partition Redundancy
- Domain Redundancy
- CPU/Memory Boards
- I/O Assemblies
- Cooling
- Power
- Repeater Boards
- System Clocks

## Partition Redundancy

You can create two partitions on every midframe system. Use the `setupplatform` command to set up partition mode. For system controller command syntax and descriptions, refer to the *Sun Fire 6800/4810/4800/3800 System Controller Command Reference Manual*.

When a system is divided into two partitions, the system controller software logically isolates connections of one partition from the other. Partitioning is done at the Repeater board level. A single partition forms one large partition using all of the Repeater boards. In dual-partition mode, two smaller partitions using fewer Repeater boards are created, each using one-half of the total number of Repeater boards in the system.

Isolating errors to one partition is one of the main reasons to configure your system into dual-partition mode. With two partitions, if there is a failure in one domain in a partition, the failure will not affect the other domains running in the other partition. The exception to this is if there is a centerplane failure.

If you set up two domains, it is strongly suggested that you configure dual-partition mode with the `setupplatform` command. Each partition should contain one domain.

Be aware that if you configure your system into two partitions, half of the theoretical maximum data bandwidth is available to the domains. However, the snooping address bandwidth is preserved.

The interconnect bus implements cache coherency through a technique called *snooping*. With this approach each cache monitors the address of all transactions on the system interconnect, watching for transactions that update addresses it possesses. Since all CPUs need to see the broadcast addresses on the system interconnect, the address and command signals arrive simultaneously. The address and command lines are connected in a point-to-point fashion.

## Domain Redundancy

Redundancy *of* a domain means that if one domain fails, the redundant domain can assume all the operations of the failed domain, without interruption.

Redundancy *within* a domain means that any component in the domain can fail. With redundancy *within* a domain, when a component in a domain fails, the component failure might not affect domain functionality because the redundant component takes over and continues all operations in the domain.

### ▼ To Set Up or Reconfigure the Domains in Your System

- Configure each domain with as many redundant components as possible.

For example:

- CPU/Memory boards
- I/O paths
- I/O assemblies

For I/O, configure redundant paths across I/O assemblies and I/O busses.

- For systems with two domains, configure one domain in each partition.

The Sun Fire 6800 system, which can be set up in two partitions, can have up to two domains in each partition.

By setting up two partitions with one domain in each partition, if one domain fails the second domain is in a separate partition and will not be affected. With two partitions, errors in one partition are isolated from the second partition.

### ▼ To Set Up Domains With Component Redundancy in a Sun Fire 6800 System

- **Keep all devices for a domain in the same power grid.**

Unlike the other midframe systems, the Sun Fire 6800 system has two power grids. Each power grid is supplied by a different redundant transfer unit (RTU). TABLE 1-6 lists the boards in power grid 0 and power grid 1.

**TABLE 1-6** Boards in Power Grid 0 and Power Grid 1 on the Sun Fire 6800 System

Power Grid 0	Power Grid 1
SB0	SB1
SB2	SB3
SB4	SB5
IB6	IB7
IB8	IB9
RP0	RP2
RP1	RP3

## ▼ To Use Dual-Partition Mode

If you have at least two domains, create domain redundancy using dual-partition mode.

### 1. Configure dual-partition mode by using `setupplatform`.

For a command description and syntax, refer to the *Sun Fire 6800/4810/4800/3800 System Controller Command Reference Manual*.

### 2. Allocate one domain in each partition.

To eliminate single points of failure, configure system resources using redundant components. This allows domains to remain functional. Component failures can be quickly and transparently handled.

For troubleshooting tips to perform if a board or component fails, see “Board and Component Failures” on page 112.

## CPU/Memory Boards

All systems support multiple CPU/Memory boards. Each domain *must* contain at least one CPU/Memory board.

The maximum number of CPUs you can have on a CPU/Memory board is four. CPU/Memory boards are configured with either two CPUs or four CPUs. TABLE 1-7 lists the maximum number of CPU/Memory boards for each system.

**TABLE 1-7** Maximum Number of CPU/Memory Boards in Each System

<b>System</b>	<b>Maximum Number of CPU/Memory Boards</b>	<b>Maximum Number of CPUs</b>
Sun Fire 6800 system	6	24
Sun Fire 4810 system	3	12
Sun Fire 4800 system	3	12
Sun Fire 3800 system	2	8

Each CPU/Memory board has eight physical banks of memory. The CPU provides memory management unit (MMU) support for two banks of memory. Each bank of memory has four slots. The memory modules (DIMMs) must be populated in groups of four to fill a bank. The minimum amount of memory needed to operate a domain is one bank (four DIMMs).

A CPU can be used with no memory installed in any of its banks. A memory bank cannot be used unless the corresponding CPU is installed and functioning.

A failed CPU or faulty memory will be isolated from the domain by the CPU power-on self-test (POST). If a CPU is disabled by POST, the corresponding memory banks for the CPU will also be disabled.

You can operate a domain with as little as one CPU and one memory bank (four memory modules).



# I/O Assemblies

All systems support multiple I/O assemblies. For the types of I/O assemblies supported by each system and other technical information, refer to the *Sun Fire 6800/4810/4800/3800 Systems Overview Manual*. TABLE 1-8 lists the maximum number of I/O assemblies for each system.

**TABLE 1-8** Maximum Number of I/O Assemblies and I/O Slots per I/O Assembly

System	Maximum Number of I/O Assemblies	Number of CompactPCI or PCI I/O Slots per Assembly
Sun Fire 6800 system	4	<ul style="list-style-type: none"><li>• 8 slots—6 slots for full-length PCI cards and 2 short slots for short PCI cards</li><li>• 4 slots for CompactPCI cards</li></ul>
Sun Fire 4810 system	2	<ul style="list-style-type: none"><li>• 8 slots—6 slots for full-length PCI cards and 2 short slots for short PCI cards</li><li>• 4 slots for CompactPCI cards</li></ul>
Sun Fire 4800 system	2	<ul style="list-style-type: none"><li>• 8 slots—6 slots for full-length PCI cards and 2 short slots for short PCI cards</li><li>• 4 slots for CompactPCI cards</li></ul>
Sun Fire 3800 system	2	6 slots for CompactPCI cards

There are two possible ways to configure redundant I/O (TABLE 1-9).

**TABLE 1-9** Configuring for I/O Redundancy

Ways to Configure For I/O Redundancy	Description
Redundancy across I/O assemblies	You must have two I/O assemblies in a domain with duplicate cards in each I/O assembly that are connected to the same disk or network subsystem for path redundancy.
Redundancy within I/O assemblies	You must have duplicate cards in the I/O assembly that are connected to the same disk or network subsystem for path redundancy. This does not protect against the failure of the I/O assembly itself.

The network redundancy features use part of the Solaris operating environment, known as IP multipathing. For information on IP multipathing (IPMP), see “IP Multipathing (IPMP) Software” on page 31 and refer to the Solaris documentation supplied with the Solaris 8 or 9 operating environment release.

The Sun StorEdge™ Traffic Manager provides multipath disk configuration management, failover support, I/O load balancing, and single instance multipath support. For details, refer to the Sun StorEdge documentation available on the Sun Storage Area Network (SAN) Web site:

<http://www.sun.com/storage/san>

## Cooling

All systems have redundant cooling when the maximum number of fan trays are installed. If one fan tray fails, the remaining fan trays automatically increase speed, thereby enabling the system to continue to operate.



---

**Caution** – With the minimum number of fan trays installed, you *do not* have redundant cooling.

---

With redundant cooling, you do not need to suspend system operation to replace a failed fan tray. You can hot-swap a fan tray while the system is running, with no interruption to the system.

TABLE 1-10 shows the minimum and maximum number of fan trays required to cool each system. For location information, such as the fan tray number, refer to the labels on the system and to the *Sun Fire 6800/4810/4800/3800 Systems Service Manual*.

**TABLE 1-10** Minimum and Maximum Number of Fan Trays

System	Minimum Number of Fan Trays	Maximum Number of Fan Trays
Sun Fire 6800 system	3	4
Sun Fire 4810 system	2	3
Sun Fire 4800 system	2	3
Sun Fire 3800 system	3	4

Each system has comprehensive temperature monitoring to ensure that there is no over-temperature stressing of components in the event of a cooling failure or high ambient temperature. If there is a cooling failure, the speed of the remaining operational fans increases. If necessary, the system is shut down.

# Power

In order for power supplies to be redundant, you must have the required number of power supplies installed plus one additional redundant power supply for each power grid (referred to as the n+1 redundancy model). This means that two power supplies are required for the system to function properly. The third power supply is redundant. All three power supplies draw about the same current.

The power is shared in the power grid. If one power supply in the power grid fails, the remaining power supplies in the same power grid are capable of delivering the maximum power required for the power grid.

If more than one power supply in a power grid fails, there will be insufficient power to support a full load. For guidelines on what to do when a power supply fails, see “To Handle Failed Components” on page 113.

The System Controller boards and the ID board obtain power from any power supply in the system. Fan trays obtain power from either power grid.

TABLE 1-11 describes the minimum and redundant power supply requirements.

**TABLE 1-11** Minimum and Redundant Power Supply Requirements

System	Number of Power Grids per System	Minimum Number of Power Supplies in Each Power Grid	Total Number of Supplies in Each Power Grid (Including Redundant Power Supplies)
Sun Fire 6800 system	2	2 (grid 0)	3
Sun Fire 6800 system		2 (grid 1)	3
Sun Fire 4810 system	1	2 (grid 0)	3
Sun Fire 4800 system	1	2 (grid 0)	3
Sun Fire 3800 system	1	2 (grid 0)	3

Each power grid has power supplies assigned to the power grid. Power supplies ps0, ps1, and ps2 are assigned to power grid 0. Power supplies ps3, ps4, and ps5 are assigned to power grid 1. If one power grid, such as power grid 0 fails, the remaining power grid is still operational.

TABLE 1-12 lists the components in the Sun Fire 6800 system in each power grid. If you have a Sun Fire 4810/4800/3800 system, refer to the components in grid 0, since these systems have only power grid 0.

**TABLE 1-12** Sun Fire 6800 System Components in Each Power Grid

Components in the System	Grid 0	Grid 1
CPU/Memory boards	SB0, SB2, SB4	SB1, SB3, SB5
I/O assemblies	IB6, IB8	IB7, IB9
Power supplies	PS0, PS1, PS2	PS3, PS4, PS5
Repeater boards	RP0, RP1	RP2, RP3
Redundant Transfer Unit (RTU)	RTUF (front)	RTUR (rear)

## Repeater Boards

The Repeater board, also referred to as a Fireplane switch, is a crossbar switch that connects multiple CPU/Memory boards and I/O assemblies. Having the required number of Repeater boards is mandatory for operation. There are Repeater boards in each midframe system except for the Sun Fire 3800. In the Sun Fire 3800 system, the equivalent of two Repeater boards are integrated into the active centerplane. Repeater boards are not fully redundant.

For steps to perform if a Repeater board fails, see “Recovering from a Repeater Board Failure” on page 114. TABLE 1-13 lists the Repeater board assignments by each domain in the Sun Fire 6800 system.

**TABLE 1-13** Repeater Board Assignments by Domains in the Sun Fire 6800 System

Partition Mode	Repeater Boards	Domains
Single partition	RP0, RP1, RP2, RP3	A, B
Dual partition	RP0, RP1	A, B
Dual partition	RP2, RP3	C, D

TABLE 1-14 lists the Repeater board assignments by each domain in the Sun Fire 4810/4800 systems.

**TABLE 1-14** Repeater Board Assignments by Domains in the Sun Fire 4810/4800/3800 Systems

Partition Mode	Repeater Boards	Domains
Single partition	RP0, RP2	A, B
Dual partition	RP0	A
Dual partition	RP2	C

TABLE 1-15 lists the configurations for single-partition mode and dual-partition mode for the Sun Fire 6800 system regarding Repeater boards and domains.

**TABLE 1-15** Sun Fire 6800 Domain and Repeater Board Configurations for Single- and Dual-Partitioned Systems

Sun Fire 6800 System in Single-Partition Mode				Sun Fire 6800 System in Dual-Partition Mode			
RP0	RP1	RP2	RP3	RP0	RP1	RP2	RP3
Domain A				Domain A		Domain C	
Domain B				Domain B		Domain D	

TABLE 1-16 lists the configurations for single-partition mode and dual-partition mode for the Sun Fire 4810/4800/3800 systems.

**TABLE 1-16** Sun Fire 4810/4800/3800 Domain and Repeater Board Configurations for Single- and Dual-Partitioned Systems

Sun Fire 4810/4800/3800 System in Single-Partition Mode		Sun Fire 4810/4800/3800 System in Dual-Partition Mode	
RP0	RP2	RP0	RP2
Domain A		Domain A	Domain C
Domain B			

## System Clocks

The System Controller board provides redundant system clocks. For more information on system clocks, see “System Controller Clock Failover” on page 25.

---

# Reliability, Availability, and Serviceability (RAS)

Reliability, availability, and serviceability (RAS) are features of these midframe systems. The descriptions of these features are:

- *Reliability* is the probability that a system will stay operational for a specified time period when operating under normal conditions. Reliability differs from availability in that reliability involves only system failure, whereas availability depends on both failure and recovery.
- *Availability*, also known as average availability, is the percentage of time that a system is available to perform its functions correctly. Availability can be measured at the system level or in the context of the availability of a service to an end client. The “system availability” is likely to impose an upper limit on the availability of any products built on top of that system.
- *Serviceability* measures the ease and effectiveness of maintenance and system repair for the product. There is no single well-defined metric, because serviceability can include both mean time to repair (MTTR) and diagnosability.

The following sections provide details on RAS. For more hardware-related information on RAS, refer to the *Sun Fire 6800/4810/4800/3800 Systems Service Manual*. For RAS features that involve the Solaris operating environment, refer to the *Sun Hardware Platform Guide*.

## Reliability

The software reliability features include:

- POST
- Component Location Status
- Environmental Monitoring
- System Controller Clock Failover
- Error Checking and Correction

The reliability features also improve system availability.

## POST

The power-on self-test (POST) is part of powering on a domain. A board or component that fails POST will be disabled. The domain, running the Solaris operating environment, is booted only with components that have passed POST testing.

## Component Location Status

The physical location of a component, such as slots for CPU/Memory boards or slots for I/O assemblies, can be used to manage hardware resources that are configured into or out of the system.

A component location has either a disabled or enabled state, which is referred to as the *component location status*.

- When you enable a component location, components residing in that location are considered for configuration into the system, subject to the health of the component.
- When you disable a component location, components residing in that location are deconfigured from the system.

For example, if you have components that are failing, you can assign the disabled status to the locations of the failed components so that those components are deconfigured from the system.

The component locations that can be specified are described in TABLE 1-17:

**TABLE 1-17** Component Locations

<b>System Component</b>	<b>Component Subsystem</b>	<b>Component Location</b>
CPU system		<i>slot/port/physical_bank/logical_bank</i>
	CPU/Memory boards ( <i>slot</i> )	SB0, SB1, SB2, SB3, SB4, SB5
	Ports on the CPU/Memory board	P0, P1, P2, P3
	Physical memory banks on CPU/Memory boards	B0, B1
	Logical banks on CPU/Memory boards	L0, L1, L2, L3

**TABLE 1-17** Component Locations (*Continued*)

System Component	Component Subsystem	Component Location
I/O assembly system		<i>slot/port/bus</i> or <i>slot/card</i>
	I/O assemblies ( <i>slot</i> )	IB6, IB7, IB8, IB9
	Ports on the I/O assembly	P0 and P1  Note: Leave at least one I/O controller 0 enabled in a domain so that the domain can communicate with the system controller.
	Buses on the I/O assembly	B0, B1
	I/O cards in the I/O assemblies	C0, C1, C2, C3, C4, C5, C6, C7 (the number of I/O cards in the I/O assembly varies with the I/O assembly type).

Use the following commands to set and review the component location status:

- `setls`

You set the component location status by running the `setls` command from the platform or domain shells. The component location status is updated at the next domain reboot, board power cycle, or POST execution (for example, POST is run whenever you perform a `setkeyswitch` on or off operation).

The platform component location status supersedes the domain component location status. For example, if a component location is disabled in the platform, that location will be disabled in all domains. If you change the status of a component location in a domain, the change applies only to that domain. This means that if the component is moved to another location or to another domain, the component does not retain the same location status.

---

**Note** – Starting with the 5.15.0 release, the `enablecomponent` and `disablecomponent` commands have been replaced by the `setls` command. These commands were formerly used to manage component resources. While the `enablecomponent` and `disablecomponent` commands are still available, it is suggested that you use the `setls` command to control the configuration of components into or out of the system.

---

- `showcomponent`

Use the `showcomponent` command to display the location status of a component (enabled or disabled). In some cases, certain components identified as disabled cannot be enabled. If the POST status in the `showcomponent` output for a disabled component is `chs` (abbreviation for component health status), the



component cannot be enabled, based on the current diagnostic data maintained for the component. For additional information on component health status, see “Auto-Diagnosis and Auto-Restoration” on page 85.

## Environmental Monitoring

The system controller monitors the system temperature, current, and voltage sensors. The fans are also monitored to make sure they are functioning. Environmental status is not provided to the Solaris operating environment—only the need for an emergency shutdown. The environmental status is provided to the Sun Management Center software with SNMP.

## System Controller Clock Failover

Each system controller provides a system clock signal to each board in the system. Each board automatically determines which clock source to use. Clock failover is the ability to change the clock source from one system controller to another system controller without affecting the active domains.

When a system controller is reset or rebooted, clock failover is temporarily disabled. When the clock source is available again, clock failover is automatically enabled.

## Error Checking and Correction

Any non-persistent storage device, for example Dynamic Random Access Memory (DRAM) used for main memory or Static Random Access Memory (SRAM) used for caches, is subject to occasional incidences of data loss due to collisions of alpha particles. The data loss changes the value stored in the memory location affected by the collision. These collisions predominantly result in losing one data bit.

When a bit of data is lost, this is referred to as a soft error in contrast to a hard error, which results from faulty hardware. The soft errors happen at the soft error rate, which can be predicted as a function of:

- Memory density
- Memory technology
- Geographic location of the memory device

When an error check mechanism detects that one or more bits in a word of data has changed, this is broadly categorized as an error checking and correction (ECC) error. ECC errors can be divided into two classes (TABLE 1-18).

**TABLE 1-18** ECC Error Classes

<b>ECC Error Classes</b>	<b>Definition</b>
Correctable errors	ECC errors with one data bit lost, which ECC can correct.
Non-correctable errors	ECC errors with multiple data bits lost.

ECC was invented to facilitate the survival of the naturally occurring data losses. Every word of data stored in memory also has check information stored along with it. This check information facilitates two things:

1. When a word of data is read out of memory, the check information can be used to detect:
  - Whether any of the bits of the word have changed
  - Whether one bit or more than one bit has changed
2. If one bit has changed, the check information can be used to determine which bit in the word changed. The word is corrected by flipping the bit back to its complementary value.

## Availability

The software availability features include:

- System Controller Failover Recovery
- Error Diagnosis and Domain Recovery
- Hung Domain Recovery
- Unattended Power Failure Recovery
- System Controller Reboot Recovery

## System Controller Failover Recovery

Systems with redundant System Controller boards support the SC failover capability. In a high-availability system controller configuration, the SC failover mechanism triggers the switchover of the main SC to the spare if the main SC fails. Within approximately five minutes or less, the spare SC becomes the main and takes over all system controller operations. For details on SC failover, see “SC Failover Overview” on page 97.

## Error Diagnosis and Domain Recovery

When the system controller detects a domain hardware error, it pauses the domain. The firmware includes an *auto-diagnosis* (AD) engine that tries to identify either the single or multiple components responsible for the error. If possible, the system controller disables (deconfigures) those components so that they cannot be used by the system.

After the auto-diagnosis, the system controller automatically reboots the domain, provided that the `reboot-on-error` parameter of the `setupdomain` command parameter is set to `true`, as part of the auto-restoration process. For details on the AD engine and the auto-restoration process, see “Auto-Diagnosis and Auto-Restoration” on page 85.

An automatic reboot of a specific domain can occur up to a maximum of three times. After the third automatic reboot, the domain is paused if another hardware occurs, and the error reboots are stopped. Rather than restart the domain manually, contact your service provider for assistance on resolving the domain hardware error.

If you set the `reboot-on-error` parameter to `false`, the domain is paused when the system controller detects a domain hardware. You must manually restart the domain (perform `setkeyswitch off` and then `setkeyswitch on`).

## Hung Domain Recovery

The `hang-policy` parameter of the `setupdomain` command, when set to the value `reset` (default), causes the system controller to automatically recover hung domains. For details, see “Automatic Recovery of Hung Domains” on page 88.

## Unattended Power Failure Recovery

If there is a power outage, the system controller reconfigures active domains. TABLE 1-19 describes domain actions that occur during or after a power failure when the keyswitch is:

- Active (set to `on`, `secure`, `diag`)
- Inactive (set to `off` or `standby`)
- Processing a keyswitch operation

**TABLE 1-19** Results of setkeyswitch Settings During a Power Failure

If During a Power Failure the Keyswitch Is	This Action Occurs
on, secure, diag	The domain will be powered on after a power failure.
off, standby	The domain will not be restored after a power failure.
Processing a keyswitch operation, such as off to on, standby to on, or on to off	The domain will not be restored after a power failure.

## System Controller Reboot Recovery

The system controller can be rebooted through SC failover or by using the `reboot` command. The system controller will start up and resume management of the system. The reboot does not disturb the domain(s) currently running the Solaris operating environment.

## Serviceability

The software serviceability features promote the efficiency and timeliness of providing routine as well as emergency service to these systems.

### LEDs

All field-replaceable units (FRUs) that are accessible from outside the system have LEDs that indicate their state. The system controller manages all the LEDs in the system, with the exception of the power supply LEDs, which are managed by the power supplies. For a discussion of LED functions, refer to the appropriate board or device chapter of the *Sun Fire 6800/4810/4800/3800 Systems Service Manual*.

### Nomenclature

The system controller, the Solaris operating environment, the power-on self-test (POST), and the OpenBoot PROM error messages use FRU name identifiers that match the physical labels in the system. The only exception is the OpenBoot PROM nomenclature used for I/O devices, which use the device path names as described in Appendix A.

## System Controller Error Logging

You can configure the system controller platform and domains to log errors by using the `syslog` protocol to an external loghost. It is strongly recommended that you set the `syslog` host. For details on setting the `syslog` host, see TABLE 3-1.

The system controller also has an internal buffer where error messages are stored. You can display the system controller logged events, stored in the system controller message buffer, by using the `showlogs` command. There is one log for the platform and one log for each of the four domains.

## System Controller XIR Support

The system controller `reset` command enables you to recover from a hard hung domain and extract a Solaris operating environment `core` file.

## System Error Buffer

If a system error occurs due to a fault condition, you can obtain detailed information about the error through the `showerrorbuffer` command. The information displayed is stored in a system error buffer that retains system error messages. This information can be used by your service provider to analyze a failure or problem.

---

# Capacity on Demand Option

Capacity on Demand (COD) is an option that provides additional processing resources (CPUs) when you need them. These additional CPUs are provided on COD CPU/Memory boards that are installed in your system. However, to access these COD CPUs, you must first purchase the COD right-to-use (RTU) licenses for them. After you obtain the COD RTU licenses for your COD CPUs, you can activate those CPUs as needed. For details on COD, see “COD Overview” on page 115.

---

# Dynamic Reconfiguration Software

Dynamic reconfiguration (DR), which is provided as part of the Solaris operating environment, enables you to safely add and remove CPU/Memory boards and I/O assemblies while the system is still running. DR controls the software aspects of dynamically changing the hardware used by a domain, with minimal disruption to user processes running in the domain.

You can use DR to do the following:

- Shorten the interruption of system applications while installing or removing a board.
- Disable a failing device by removing it from the logical configuration, before the failure can crash the operating system.
- Display the operational status of boards in a system.
- Initiate self-tests of a system board while the domain continues to run.
- Reconfigure a system while the system continues to run.
- Invoke hardware-specific functions of a board or a related attachment.

The DR software uses the `cfgadm` command, which is a command-line interface for configuration administration. You can perform domain management DR tasks using the system controller software. The DR agent also provides a remote interface to the Sun Management Center software on Sun Fire 6800/4810/4800/3800 systems.

For complete information on DR, refer to the *Sun Fire 6800, 4810, 4800, and 3800 Systems Dynamic Reconfiguration User Guide* and also the Solaris documentation included with the Solaris operating environment.

---

# IP Multipathing (IPMP) Software

The Solaris operating environment implementation of IPMP provides the following features(TABLE 1-20).

**TABLE 1-20** IPMP Features

Feature	Description
Failure detection	Ability to detect when a network adaptor has failed and automatically switches over network access to an alternate network adaptor. This assumes that you have configured an alternate network adapter.
Repair detection	Ability to detect when a network adaptor that failed previously has been repaired and automatically switches back (failback) the network access from an alternate network adaptor. This assumes that you have enabled failbacks.
Outbound load spreading	Outbound network packets are spread across multiple network adaptors without affecting the ordering of packets in order to achieve higher throughput. Load spreading occurs only when the network traffic is flowing to multiple destinations using multiple connections.

For more information on IP network multipathing (IPMP), refer to the *System Administration Guide: IP Services*, which is available with your Solaris operating environment release. The *System Administration Guide: IP Services* explains basic IPMP features and network configuration details. This book is available online with your Solaris operating environment release.

---

# Sun Management Center Software for the Sun Fire 6800/4810/4800/3800 Systems

The Sun Management Center is the graphical user interface for managing the Sun Fire midframe systems.

To optimize the effectiveness of the Sun Management Center, you must install it on a separate system. The Sun Management Center has the capability to logically group domains and the system controller into a single manageable object, to simplify operations.

The Sun Management Center, once configured, is also the recipient of SNMP traps and events.

To use the Sun Management Center, you must attach the System Controller board to a network. With a network connection, you can view both the command-line interface and the graphical user interface. To attach the System Controller board Ethernet port, refer to the installation documentation that was shipped with your system.

For information on the Sun Management Center, refer to the *Sun Management Center Supplement for Sun Fire 6800/4810/4800/3800 Systems*, which is available online.

---

## FrameManager

The FrameManager is an LCD that is located in the top right corner of the Sun Fire system cabinet. For a description of its functions, refer to the “FrameManager” chapter of the *Sun Fire 6800/4810/4800/3800 Systems Service Manual*.



## System Controller Navigation Procedures

---

This chapter explains step-by-step procedures with illustrations describing how to:

- Connect to the platform and the domains
- Navigate between the domain shell and the domain console
- Terminate a system controller session

Topics covered in this chapter include:

- “Connection to the System Controller” on page 33
  - “Obtaining the Platform Shell” on page 34
  - “Obtaining a Domain Shell or Console” on page 36
- “System Controller Navigation” on page 38
  - “To Enter the Domain Console From the Domain Shell If the Domain Is Inactive” on page 40
  - “To Enter the Domain Shell From the Domain Console” on page 41
  - “To Get Back to the Domain Console From the Domain Shell” on page 41
  - “To Enter a Domain From the Platform Shell” on page 42
- “Terminating Sessions” on page 42
  - “To Terminate an Ethernet Connection With `telnet`” on page 42
  - “To Terminate a Serial Connection With `tip`” on page 43

---

## Connection to the System Controller

This section describes how to obtain the following:

- The platform shell
- A domain shell or console

There are two types of connections: telnet and serial. If you are using a telnet connection, configure the system controller network settings before using telnet. You can access the system controller main menu using either the telnet or serial connections.

From the main menu, you can select either the platform shell or one of the domain consoles.

- If you select the platform, you always obtain a shell.
- If you select a domain, you obtain the:
  - Domain console (if the domain is active)
  - Domain shell (if the domain is inactive)

You can also bypass the system controller main menu by making a telnet connection to a specific port.

## Obtaining the Platform Shell

This section describes how to obtain the platform shell.

### ▼ To Obtain the Platform Shell Using telnet

Before you use telnet, be sure to configure the network settings for the system controllers.

1. **Obtain the system controller main menu by typing** `telnet schostname` (CODE EXAMPLE 2-1).

where:

*schostname* is the system controller host name.

The system controller main menu is displayed. CODE EXAMPLE 2-1 shows how to enter the platform shell.

**CODE EXAMPLE 2-1** Obtaining the Platform Shell With telnet

```
% telnet schostname
Trying xxx.xxx.xxx.xxx
Connected to schostname.
Escape character is '^]'.
```

**CODE EXAMPLE 2-1** Obtaining the Platform Shell With `telnet` (Continued)

```
System Controller 'schostname':  
  
    Type 0 for Platform Shell  
  
    Type 1 for domain A  
    Type 2 for domain B  
    Type 3 for domain C  
    Type 4 for domain D  
  
Input: 0  
  
Connected to Platform Shell  
  
schostname:SC>
```

---

**Note** – *schostname* is the system controller host name.

---

**2. Type 0 to enter the platform shell.**

The system controller prompt, *schostname:SC>*, is displayed for the platform shell of the main system controller. If you have a redundant SC configuration, the spare system controller prompt is *schostname:sc>*.

▼ **To Initiate a Serial Connection With `tip`**

- **At the machine prompt, type `tip` and the serial port to be used for the system controller session.**

```
machinename% tip port_name  
connected
```

The main system controller menu is displayed.

▼ **To Obtain the Platform Shell Using the Serial Port**

- 1. Connect the system controller serial port to an ASCII terminal.**

The system controller main menu is displayed.

- 2. From the main menu type 0 to enter the platform shell.**

# Obtaining a Domain Shell or Console

This section describes the following:

- “To Obtain the Domain Shell Using `telnet`” on page 36
- “To Obtain the Domain Shell From the Domain Console” on page 37

## ▼ To Obtain the Domain Shell Using `telnet`

1. **Obtain the system controller main menu by typing** `telnet schostname` (CODE EXAMPLE 2-2).

The system controller main menu is displayed.

where:

*schostname* is the system controller host name.

CODE EXAMPLE 2-2 shows entering the shell for domain A.

### CODE EXAMPLE 2-2 Obtaining a Domain Shell With `telnet`

```
% telnet schostname
Trying xxx.xxx.xxx.xxx
Connected to schostname.
Escape character is '^]'.

System Controller 'schostname':

    Type 0 for Platform Shell

    Type 1 for domain A
    Type 2 for domain B
    Type 3 for domain C
    Type 4 for domain D

Input: 1

Connected to Domain A

Domain Shell for Domain A

schostname:A>
```

**2. Enter a domain. Type 1, 2, 3, or 4 to enter the appropriate domain shell.**

The system controller prompt for the domain shell you connected to is displayed. CODE EXAMPLE 2-2 shows entering the shell for domain A, whose prompt is *schostname : A>*.

**3. If the domain is active (the domain keyswitch is set to on, diag, or secure which means you are running the Solaris operating environment, or are in the OpenBoot PROM), perform the following steps:**

**a. Press and hold the CTRL key while pressing the ] key, to get to the `telnet>` prompt.**

**b. At the `telnet>` prompt type `send break` (CODE EXAMPLE 2-3).**

**CODE EXAMPLE 2-3** Obtaining a Domain Shell From the Domain Console

```
ok Ctrl-]
telnet> send break
```

▼ **To Obtain the Domain Shell From the Domain Console**

If the domain is active and the domain keyswitch is set to on, diag, or secure (you are running the Solaris operating environment, are in the OpenBoot PROM, or are running POST), perform the following steps:

**1. Press and hold the CTRL key while pressing the ] key, to get to the `telnet>` prompt.**

**2. At the `telnet>` prompt type `send break`.**

CODE EXAMPLE 2-4 shows obtaining the shell for domain A from the domain console. Because the domain is active, you will not see a prompt.

**CODE EXAMPLE 2-4** Obtaining a Domain Shell From the Domain Console

```
ok Ctrl-]
telnet> send break
```

# System Controller Navigation

This section explains how to navigate between the:

- System controller platform
- System controller domain console
- System controller domain shell

To return to the originating shell, use the `disconnect` command. In a domain shell, to connect to the domain console, use the `resume` command. To connect to a domain shell from the platform shell, use the `console` command.

FIGURE 2-1 shows how to navigate between the platform shell, the domain shell, the domain console by using the `console` and `disconnect` commands. FIGURE 2-1 also shows how to connect to both the domain shell and platform shell from the operating environment by using the `telnet` command.

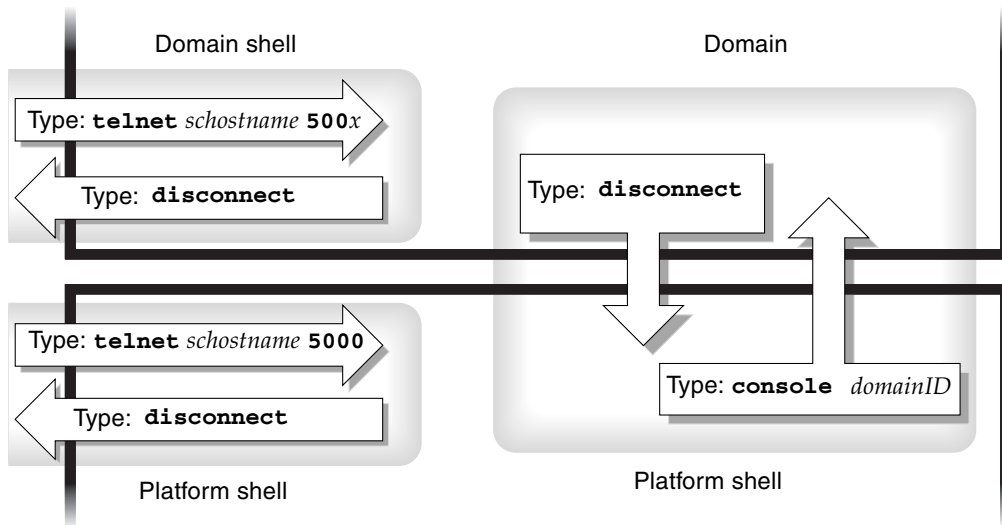


FIGURE 2-1 Navigating Between the Platform Shell and the Domain Shell

In the `telnet` command in FIGURE 2-1, 5000 is the platform shell and

- 5001 is domain A
- 5002 is domain B
- 5003 is domain C
- 5004 is domain D

In the `console` command, *domainID* is a, b, c, or d.

---

**Note** – By typing `telnet schostname 500x`, you will bypass the system controller main menu and directly enter the platform shell, a domain shell or a domain console.

---

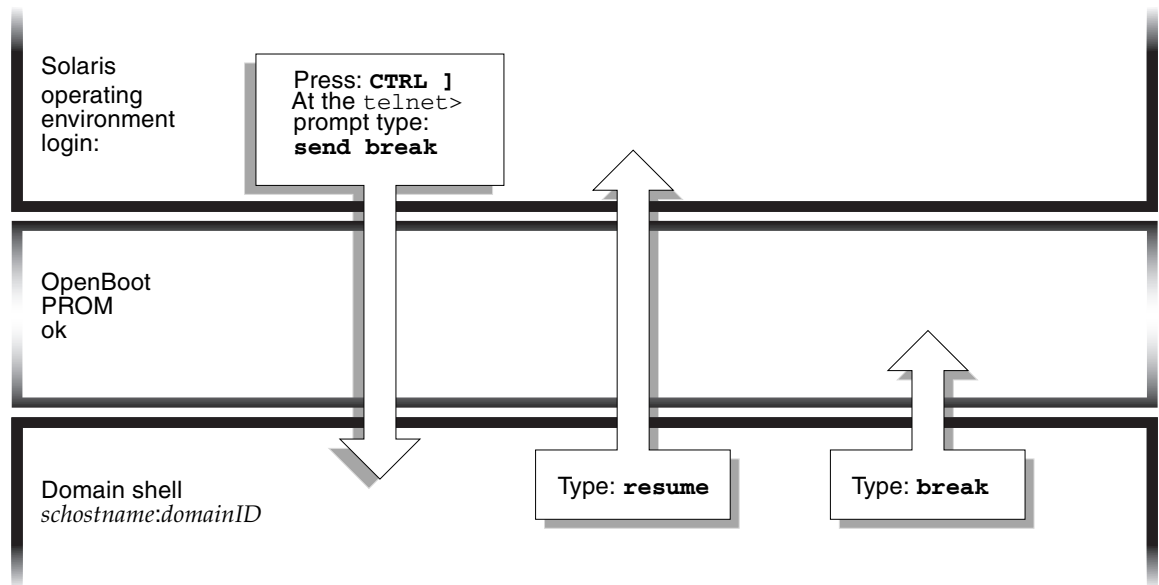
FIGURE 2-2 illustrates how to navigate between the Solaris operating environment, the OpenBoot PROM, and the domain shell. FIGURE 2-2 assumes that the Solaris operating environment is running.



---

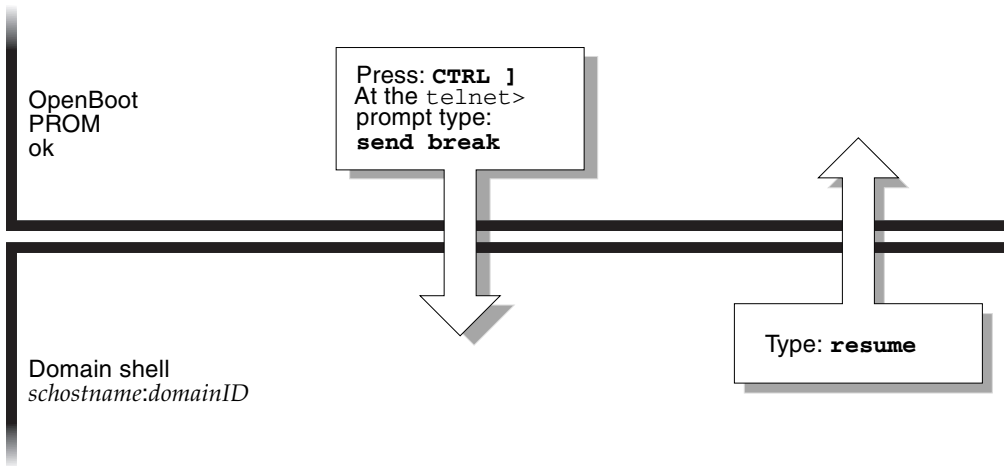
**Caution** – Note that in FIGURE 2-2, typing the `break` command suspends the Solaris operating environment.

---



**FIGURE 2-2** Navigating Between the Domain Shell, the OpenBoot PROM, and the Solaris Operating Environment

FIGURE 2-3 illustrates how to navigate between the OpenBoot PROM and the domain shell. This figure assumes that the Solaris operating environment is *not* running.



**FIGURE 2-3** Navigating Between the OpenBoot PROM and the Domain Shell

When you connect to a domain, you will be connected to the domain shell unless the domain is active, in which case you will be connected to the domain console. When you connect to the console, you will be connected to the Solaris operating environment console or the OpenBoot PROM, depending on which of these is currently executing.

## ▼ To Enter the Domain Console From the Domain Shell If the Domain Is Inactive

- Type `setkeyswitch on` in the domain shell.

```
schostname:A> setkeyswitch on
```

The domain console is available only when the domain is active. To make the domain active, you must turn the keyswitch on. You will be automatically switched from the domain shell to the domain console.

This action powers on and initializes the domain. The domain will go through POST and then the OpenBoot PROM. If the OpenBoot PROM `auto-boot?` parameter of the `setupdomain` command is set to `true`, the Solaris operating environment will boot. For details on the domain parameters, refer to the `setupdomain` command description in the *Sun Fire 6800/4810/4800/3800 System Controller Command Reference Manual*.



## ▼ To Enter the Domain Shell From the Domain Console

1. Press and hold the CTRL key while pressing the ] key to get to the telnet> prompt (CODE EXAMPLE 2-5).
2. Type send break at the telnet prompt.

**CODE EXAMPLE 2-5** Obtaining a Domain Shell From the Domain Console

```
ok Ctrl-]  
telnet> send break
```

## ▼ To Get Back to the Domain Console From the Domain Shell

1. Type resume:

```
schostrname:D> resume
```

Note that because the domain is active, you will get a blank line.

2. Press the Return key to get a prompt.

---

**Note** – If the domain is not active, (the Solaris operating environment or the OpenBoot PROM is *not* running), the system controller stays in the domain shell and you will obtain an error.

---

## ▼ To Enter a Domain From the Platform Shell

---

**Note** – This example shows entering an inactive domain.

---

- **Type:**

```
schostname:SC> console -d a

Connected to Domain A

Domain Shell for Domain A

schostname:A>
```

If the OpenBoot PROM is running, you are returned to the console for domain A. If the keyswitch is set to `off` or `standby`, you are returned to the shell for domain A.

---

**Note** – To enter another domain, type the proper *domainID* `b`, `c`, or `d`.

---

---

## Terminating Sessions

This section describes how to terminate system controller sessions.

### ▼ To Terminate an Ethernet Connection With `telnet`

- **Type the `disconnect` command at the domain shell prompt.**

Your system controller session terminates.

```
schostname:A> disconnect
Connection closed by foreign host.
machinename%
```

This example assumes that you are connected directly to the domain and not from the platform shell.

---

**Note** – If you have a connection to the domain initiated on the platform shell, you must type `disconnect` twice.

Typing `disconnect` the first time takes you back to the platform shell connection and keeps your connection to the system controller. Typing `disconnect` again exits the platform shell and ends your connection to the system controller.

---

## ▼ To Terminate a Serial Connection With `tip`

If you are connected to the System Controller board with the serial port, use the `disconnect` command to terminate the system controller session then use a `tip` command to terminate your `tip` session.

1. **At the domain shell or platform shell prompt, type `disconnect`.**

```
schostname:A> disconnect
```

2. **If you are in a domain shell and are connected from the platform shell, type `disconnect` again to disconnect from the system controller session.**

```
schostname:SC> disconnect
```

The system controller main menu is displayed.

3. Type `~.` to end your tip session (CODE EXAMPLE 2-6).

**CODE EXAMPLE 2-6** Ending a tip Session

```
System Controller `shostname':  
  
    Type 0 for Platform Shell  
  
    Type 1 for domain A  
    Type 2 for domain B  
    Type 3 for domain C  
    Type 4 for domain D  
  
Input: ~.  
  
machinename%
```

The `machinename%` prompt is displayed.

## System Power On and Setup

---

This chapter provides information to enable you to power on your system for the first time and perform software setup procedures using the system controller command-line interface. For instructions on how to subsequently power on your system, see “To Power On the System” on page 72.

---

**Note** – When you are setting up your system for the first time, it is strongly suggested that you bring up the one domain set up for you, domain A, by installing the Solaris operating environment in the domain and then booting it before creating additional domains.

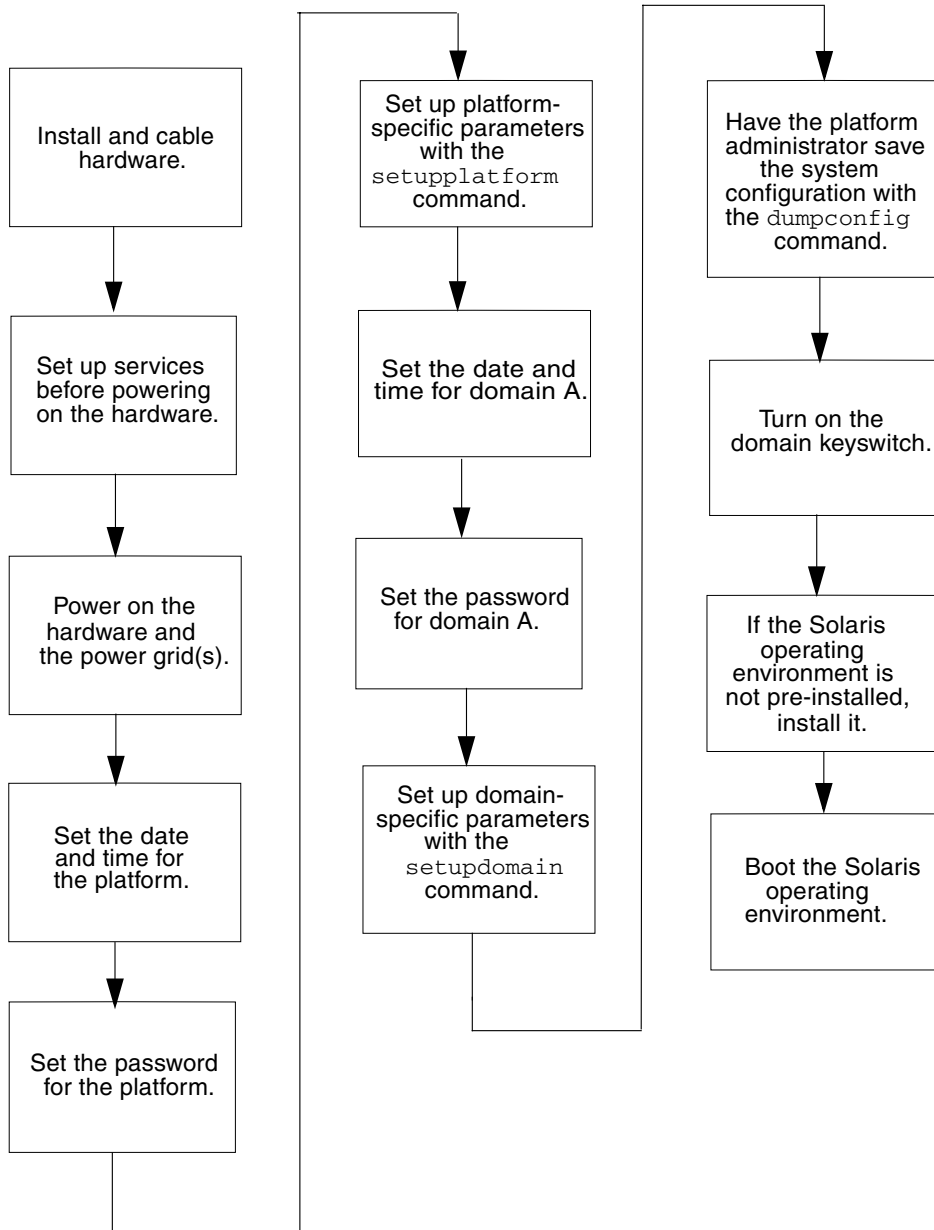
Before you create additional domains, make sure that domain A is operational and can be accessed from the main menu, and that you can boot the Solaris operating environment in the domain. It is good policy to validate that one domain, domain A, is functioning properly before you create additional domains. To create additional domains, see Chapter 4.

---

This chapter contains the following topics:

- “Setting Up the Hardware” on page 47
- “Setting Up the Platform” on page 49
- “Setting Up Domain A” on page 51
- “Saving the Current Configuration to a Server” on page 54
- “Installing and Booting the Solaris Operating Environment” on page 55

FIGURE 3-1 is a flowchart summarizing the major steps you must perform to power on and set up the system, which are explained in step-by-step procedures in this chapter.



**FIGURE 3-1** Flowchart of Power On and System Setup Steps

---

# Setting Up the Hardware

This section contains the following topics:

- To Install and Cable the Hardware
- To Set Up Additional Services Before System Power On
- To Power On the Hardware
- To Power On the Power Grids

## ▼ To Install and Cable the Hardware

1. **Refer to the installation guide for your system and connect a terminal to your system using the serial port.**
2. **When you set up the terminal, set the ASCII terminal to the same baud rate as the serial port.**

The default serial port settings for the System Controller board are:

- 9600 baud
- 8 data bits
- No parity
- 1 stop bit

Because this is the platform console connection, log messages are displayed.

## ▼ To Set Up Additional Services Before System Power On

- Before you power on the system for the first time, set up the services described in TABLE 3-1.

**TABLE 3-1** Services to Be Set Up Before System Power On

Service	Description
DNS services	The system controller uses DNS to simplify communication with other systems.
Sun Management Centersoftware*	Manage and monitor your system by using the Sun Management Center. It is suggested that you use this software to manage and monitor your system.
Network Terminal Server (NTS)	A Network Terminal Server (NTS) is used to help manage multiple serial connections. The NTS should be secured with at least a password.
Boot/install server*	Allows you to install the Solaris operating environment from a network server instead of using a CD-ROM.
HTTP/FTP server*	In order to perform firmware upgrades, you must set up either an HTTP or an FTP server. In order to read/write the configuration backup files for the system controller <code>dumpconfig</code> and <code>restoreconfig</code> commands, you need to set up an FTP server.
Loghost*	<p>The loghost system is used to collect system controller messages. It is recommended that you set up a loghost for the platform shell and for each domain shell. To permanently save loghost error messages, you must set up a loghost server.</p> <ul style="list-style-type: none"><li>• Use the <code>setupplatform -p loghost</code> command to output platform messages to the loghost.</li><li>• Use the <code>setupdomain -d loghost</code> command to output domain messages to the loghost.</li></ul> <p>For complete information and command syntax, refer to the <i>Sun Fire 6800/4800/4810/3800 System Controller Command Reference Manual</i>.</p>
System controller	If you plan to put the system controller(s) on a network, each system controller installed must have an IP address and a logical IP address for SC failover purposes. Each system controller should also have a serial connection.
Domains	Each domain you plan to use needs to have its own IP address.

**\* It is not necessary to have the loghost set up before you install and boot the Solaris operating environment. You can install the Sun Management Center software after you boot your system for the first time. Because you can install from a CD-ROM, it is not necessary to have a boot/install server set up before system power on.**



## ▼ To Power On the Hardware

- Complete the hardware power-on steps detailed and illustrated in the installation guide for your system.

## ▼ To Power On the Power Grids

1. Access the system controller and connect to the system controller main menu.  
See “Connection to the System Controller” on page 33.

2. Connect to the platform shell.

3. Power on the power grid(s).

The `poweron gridx` command powers on power supplies in that power grid.

- If you have a Sun Fire 6800 system, you must power on power grid 0 and power grid 1.

```
schostname:SC> poweron grid0 grid1
```

- If you have a Sun Fire 4810/4800/3800 system, there is only one power grid, grid 0.

```
schostname:SC> poweron grid0
```

The `poweron grid0` system controller command powers on power supplies in power grid 0.

---

# Setting Up the Platform

After powering on the power grids, set up your system using the commands described in this chapter.

This section contains the following topics:

- To Set the Date and Time for the Platform
- To Set a Password for the Platform
- To Configure Platform Parameters

## ▼ To Set the Date and Time for the Platform

Although you can set a different date and time for the platform and for each domain, it is strongly suggested that you use the same date and time for the platform and domains. Using the same date and time for the platform shell and each domain shell may help during interpretation of error messages and logs. The date and time set on the domains are also used by the Solaris operating environment.

If you have a redundant SC configuration, be aware that the platform date and time settings on both the main and spare system controller must always be synchronized for failover purposes.

---

**Note** – If your time zone area is using daylight or summer time, the time and time zone are adjusted automatically. On the command line, you can enter only non-daylight time zones.

---

- **Set the date, time, and time zone for the platform, by doing one of the following:**

- If you have a redundant SC configuration, assign a Simple Network Time Protocol (SNTP) server through the `setupplatform` command.

Sun strongly suggests that you configure both the main and spare system controller to synchronize their date and time settings against a Simple Network Time Protocol (SNTP) server. For details on the `setupplatform` command, refer to the *Sun Fire 6800/4800/4810/3800 System Controller Command Reference Manual*.

By configuring SNTP on the SCs, the SCs will periodically check the SNTP server to ensure that their date and time are accurate and synchronized. If the main and spare SC do not have the same date and time and an SC failover occurs, a time jump may occur in running domains.

- Use the `setdate` command from the platform shell.

For complete command syntax, examples, a table of time zone abbreviations, time zone names, and offsets from Greenwich mean time, refer to the `setdate` command in the *Sun Fire 6800/4800/4810/3800 System Controller Command Reference Manual*.

## ▼ To Set a Password for the Platform

The system controller password that you set for the main system controller also serves as the *same* password for the spare system controller.

1. **From the platform shell, type the system controller `password` command.**
2. **At the `Enter new password:` prompt, type in your password.**

3. **At the** Enter new password again: **prompt, type in your password again.**

For examples, refer to the password command in the *Sun Fire 6800/4800/4810/3800 System Controller Command Reference Manual*.

## ▼ To Configure Platform Parameters

---

**Note** – One of the platform configuration parameters that can be set through the `setupplatform` command is the partition parameter. Determine if you want to set up your system with one partition or two partitions. Read “Domains” on page 2 and “Partitions” on page 3 before completing the following steps.

---

1. **From the platform shell, type** `setupplatform`.

For a description of the `setupplatform` parameter values and an example of this command, refer to the `setupplatform` command in the *Sun Fire 6800/4800/4810/3800 System Controller Command Reference Manual*.

```
schostname: SC> setupplatform
```

---

**Note** – If you want to use a loghost, you must set up a loghost server. You can then assign a platform loghost by using the `setupplatform` command to specify the Loghost (using either an IP address or a host name) and the Log Facility.

---

---

**Note** – If you press the Return key after each parameter, the current value will not be changed. If you type a dash ( - ), this clears the entry (if the entry can be blank).

---

2. **If you have a second System Controller board installed, run the** `setupplatform` **command on the second system controller.**

All the parameters, except for the network settings (such as the IP address and host name of the system controller) and the POST diag level, are copied from the main system controller to the spare, only when SC failover is enabled.

---

## Setting Up Domain A

This section contains the following topics on setting up domain A.

- To Access the Domain
- To Set the Date and Time for Domain A
- To Set a Password for Domain A
- To Configure Domain-Specific Parameters

## ▼ To Access the Domain

- **Access the domain.**

For more information, see “System Controller Navigation” on page 38.

## ▼ To Set the Date and Time for Domain A

- **Type the `setdate` command in the domain A shell to set the date and time for the domain.**

---

**Note** – Because you can have up to four domains, you must eventually set the date and time for *each* domain. To start, just set the date and time for domain A.

---

For command syntax and examples, refer to the `setdate` command in the *Sun Fire 6800/4800/4810/3800 System Controller Command Reference Manual* and to “To Set the Date and Time for the Platform” on page 50.

## ▼ To Set a Password for Domain A

1. **From the domain A shell, type the `password` command** (CODE EXAMPLE 3-1).
2. **At the `Enter new password: prompt`, type your password.**
3. **At the `Enter new password again: prompt`, type your password again** (CODE EXAMPLE 3-1).

**CODE EXAMPLE 3-1** `password` Command Example For a Domain With No Password Set

```
schostname:A> password
Enter new password:
Enter new password again:
schostname:A>
```

## ▼ To Configure Domain-Specific Parameters

---

**Note** – Each domain is configured separately.

---

### 1. From the domain A shell, type the `setupdomain` command.

For a listing of parameter values and sample output, refer to the `setupdomain` command description in the *Sun Fire 6800/4800/4810/3800 System Controller Command Reference Manual*.

To facilitate the ability to restore domain A, be sure that the following `setupdomain` parameter values are set as indicated:

- `diag-level` to `default`

All system board components are tested with all tests and test patterns, except for memory and Ecache modules. For memory and Ecache modules, all locations are tested with multiple patterns. More extensive, time-consuming algorithms are not run at this level.

- `reboot-on-error` to `true`

When a hardware error occurs, the system controller pauses the domain. This setting controls the automatic restoration of domains after the auto-diagnosis (AD) engine identifies and if possible, deconfigures components associated with a domain hardware error. See “Auto-Diagnosis and Auto-Restoration” on page 85 for details.

- `hang-policy` to `reset`

The system controller automatically resets a hung domain when the domain does not respond to interrupts or the domain heartbeat stops.

---

**Note** – It is recommended that you set up a loghost server. You can then assign a loghost for each domain by using the `setupdomain` command to specify the `Loghost` (using either an IP address or a host name) and the `Log Facility`.

---

## 2. Perform the steps listed in TABLE 3-2.

**TABLE 3-2** Steps in Setting Up Domains Including the `dumpconfig` Command

If you are setting up one domain . . .	If you are setting up more than one domain . . .
1. Continue with the procedures in this chapter.	<ol style="list-style-type: none"><li>1. Install and boot the Solaris operating environment on domain A as described in “To Install and Boot the Solaris Operating Environment” on page 55.</li><li>2. Go to Chapter 4 for instructions on creating additional domains.</li><li>3. After all the domains are set up and before you start each additional domain you set up, have the platform administrator run the <code>dumpconfig</code> command. See “To Use <code>dumpconfig</code> to Save Platform and Domain Configurations” on page 54.</li></ol>

---

## Saving the Current Configuration to a Server

This section describes how to use the `dumpconfig` command, which must be run by the platform administrator, to save the current system controller (SC) configuration to a server. Use `dumpconfig` to save the SC configuration for recovery purposes.

Use the `dumpconfig` command when you

- First set up your system and need to save the platform and domain configurations.
- Change the platform and domain configurations with one of the following system controller commands (`setupdomain`, `setupplatform`, `setdate`, `addboard`, `deleteboard`, `setls`, `password`) or install and remove a CPU/Memory board or I/O assembly.

### ▼ To Use `dumpconfig` to Save Platform and Domain Configurations

Use `dumpconfig` to save the platform and domain configurations to a server so that you can restore the platform and domain configurations to a replacement system controller (if the current system controller fails).

---

**Note** – *Do not* save the configuration to any domain on the platform, because the domain will not be available if the platform fails.

---

- **Type the system controller `dumpconfig` command from the platform shell to save the present system controller configuration to a server.**

```
schostname:SC> dumpconfig -f url
```

For details, refer to the `dumpconfig` command description in the *Sun Fire 6800/4800/4810/3800 System Controller Command Reference Manual*.

---

## Installing and Booting the Solaris Operating Environment

### ▼ To Install and Boot the Solaris Operating Environment

1. **Access the domain A shell.**

See “Obtaining a Domain Shell or Console” on page 36.

**2. Turn the domain A keyswitch to the on position. Type `setkeyswitch on`.**

The `setkeyswitch on` command powers on the domain. If the OpenBoot PROM `auto-boot?` parameter is set to true, you might obtain an error message similar to CODE EXAMPLE 3-2.

**CODE EXAMPLE 3-2** Sample Boot Error Message When the `auto-boot?` Parameter Is Set to true

```
{0} ok boot
      ERROR: Illegal Instruction
      debugger entered.

{0} ok
```

The OpenBoot PROM (OBP) displays this error message because the Solaris operating environment might not yet be installed, or perhaps you are booting off the wrong disk. For more information on OBP parameters, refer to the `setupdomain` command description in the *Sun Fire 6800/4800/4810/3800 System Controller Command Reference Manual* and also the *OpenBoot Command Reference Manual* included with your Solaris operating environment release.

**3. Insert the CD for the Solaris operating environment into the CD-ROM drive.**

**4. Install the Solaris operating environment on your system.**

Refer to the *Solaris Installation Guide* included with your operating environment release.

**5. Boot the Solaris operating system by typing the OpenBoot PROM `boot cdrom` command at the `ok` prompt.**

```
ok boot cdrom
```



## Creating and Starting Multiple Domains

---

This chapter explains how to create additional domains and how to start domains. This chapter assumes that domain A, which was set up for you by Sun, is now bootable.

---

**Note** – The system is shipped from the factory configured with one domain, domain A. All system boards are assigned to domain A.

---

---

## Creating and Starting Domains

This section contains the following topics:

- To Create Multiple Domains
- To Create a Second Domain
- To Create a Third Domain on a Sun Fire 6800 System
- To Start a Domain

### ▼ To Create Multiple Domains

1. **Determine how many domains you can have in your system and how many partitions you need.**

Read “Domains” on page 2 and “Partitions” on page 3. If you have a Sun Fire 6800 system and you are planning to set up three or four domains, you will need to set up dual partition mode (two partitions). It might be helpful to maintain at least one unused domain for testing hardware before dynamically reconfiguring it into the system.

---

**Note** – For all systems, it is strongly suggested that you use dual partition mode to support two domains. Using two partitions to support two domains provides better isolation between domains.

---

**2. Determine the number of boards and assemblies that will be in each domain.**

A domain must contain a minimum of one CPU/Memory board and one I/O assembly. However, it is suggested that you have at least two CPU/Memory boards and I/O assemblies for high availability configurations. If you have a Sun Fire 6800 system, go to the next step.

**3. If you have a Sun Fire 6800 system, it is strongly suggested that you set up boards in a domain to be in the same power grid to isolate the domain from a power failure.**

The Sun Fire 6800 system has two power grids, grid 0 and grid 1. For information on how boards are divided between grid 0 and grid 1, see “To Set Up Domains With Component Redundancy in a Sun Fire 6800 System” on page 14 and “Power” on page 19.

**4. If you need to configure two partitions, turn off all domains. Otherwise, skip to Step 5.**

**a. If the Solaris operating environment is running in the domain, complete Step 3 in “To Power Off the System” on page 70, then return to Step b of this procedure.**

Otherwise, skip to Step 5.

**b. Configure the partition mode to dual.**

Refer to the `setupplatform` command in the *Sun Fire 6800/4800/4810/3800 System Controller Command Reference Manual*.

**5. If the board that you plan to assign to a new domain is currently used by domain A, shut down domain A or use DR to unconfigure and disconnect the board out of the domain.**

- To shut down the domain, complete Step 3 in “To Power Off the System” on page 70.
- If you are using dynamic reconfiguration, use the `cfgadm` command to remove the board from the domain without shutting down the domain. Refer to the *Sun Fire 6800, 4810, 4800, and 3800 Systems Dynamic Reconfiguration User Guide*.

## ▼ To Create a Second Domain

---

**Note** – It is strongly suggested that you use domain C with two partitions (dual-partition mode) for your second domain. It provides better fault isolation (complete isolation of Repeater boards). With one partition, use domain B for the second domain.

---

**Note** – The steps to create a second domain should be performed by the platform administrator.

---

1. Complete all steps in “To Create Multiple Domains” on page 57.
2. If you have boards that are assigned, type the following from the platform shell to unassign the boards that will be moved from one domain to another domain:

```
schostname:SC> deleteboard sbx ibx
```

where:

sbx is sb0 through sb5 (CPU/Memory boards)  
ibx is ib6 through ib9 (I/O assemblies)

3. Assign the boards to the new domain with the `addboard` command.
  - If you have one partition, to add `sbx` and `ibx` to domain B, from the platform shell, type:

```
schostname:SC> addboard -d b sbx ibx
```

- If you have two partitions, to add `sbx` and `ibx` to domain C, from the platform shell, type:

```
schostname:SC> addboard -d c sbx ibx
```

4. From the platform shell access the proper domain shell.  
See “System Controller Navigation” on page 38.

**5. Set the date and time for the domain.**

Set the date and time for the second domain in exactly the same way you set the date and time for domain A. For an example of the `setdate` command, refer to the `setdate` command in the *Sun Fire 6800/4800/4810/3800 System Controller Command Reference Manual*.

**6. Set a password for the second domain.**

Set the password for the second domain in exactly the same way you set the password for domain A. For an example of the `password` command, refer to the `password` command in the *Sun Fire 6800/4800/4810/3800 System Controller Command Reference Manual*.

**7. Configure domain-specific parameters for the new domain by using the `setupdomain` command.**

You configure domain-specific parameters for each domain separately.

---

**Note** – It is recommended that you set up a loghost server and then assign the loghost for the domain shell. Use the `setupdomain` command to assign a loghost for the domain shell. See “To Configure Domain-Specific Parameters” on page 53.

---

For more details, tables, and code examples, refer to the `setupdomain` command in the *Sun Fire 6800/4800/4810/3800 System Controller Command Reference Manual*.

**8. After creating all domains, have the platform administrator save the state of the configuration with the `dumpconfig` command.**

For details on using `dumpconfig`, see the procedure “Saving the Current Configuration to a Server” on page 54.

**9. Start each the domain after all domains have been created.**

Go to “To Start a Domain” on page 61.

## ▼ To Create a Third Domain on a Sun Fire 6800 System

You create three domains in exactly the same way that you create two domains.

- 1. If the platform is configured as a single partition, complete Step 3 in “To Power Off the System” on page 70 to halt the Solaris operating environment for all active domains before changing partition mode.**
- 2. Configure partition mode to dual by using the `setupplatform` command.**

3. **Decide which domain needs higher performance. Plan to assign the third domain to the partition that requires the lowest performance.**

TABLE 4-1 provides some best-practice guidelines to follow.

**TABLE 4-1** Guidelines for Creating Three Domains on the Sun Fire 6800 System

Description	Domain IDs
Use these domain IDs if domain A requires higher performance and more hardware isolation	A, C, D
Use these domain IDs if domain C requires higher performance and more hardware isolation	A, B, C

**On the Sun Fire 4810/4800/3800 systems, when you set the partition mode to dual, this moves the MAC address and the host ID from domain B to domain C. Use `showplatform -p mac` to view the settings.**

4. **Perform all steps in the procedure “To Create a Second Domain” on page 59 to create the third domain.**

## ▼ To Start a Domain

1. **Connect to the domain shell for the domain you want to start.**  
See “System Controller Navigation” on page 38.
2. **Turn the keyswitch on.**

```
schostname:C> setkeyswitch on
```

The OpenBoot PROM prompt is displayed.

3. **Install and boot the Solaris operating environment in the domain.**  
Refer to the *Solaris Installation Guide* included with your operating environment release.



# Security

---

This chapter lists the major security threats, provides important information about the system controller, explains password requirements for the platform and the domains, describes domain separation requirements, explains how to secure the system controller with the `setkeyswitch` command, provides references to Solaris operating environment security, and briefly describes SNMP.

This chapter contains the following topics:

- “Security Threats” on page 63
- “System Controller Security” on page 64
- “Domains” on page 65
- “Solaris Operating Environment Security” on page 68
- “SNMP” on page 68

---

## Security Threats

Some of the threats regarding host break-ins that can be imposed are:

- Unauthorized system controller access
- Unauthorized domain access
- Unauthorized administrator workstation access
- Unauthorized user workstation access



---

**Caution** – It is important to remember that access to the system controller can shut down all or part of the system, including active domains running the Solaris operating environment. Also, hardware and software configuration can be changed.

---

---

# System Controller Security

In order to secure the system controller in your system, read about the system controller security issues. System controller security issues have a great impact on the security of the system controller installation. Refer to the articles available online, including *Securing the Sun Fire Midframe System Controller*, at:

<http://www.sun.com/blueprints>

When you set up the software for your system, you performed software tasks needed to set up system controller security in Chapter 3. The basic steps to secure the system controller are:

1. Setting the platform shell password by using the `password` command.
2. Setting up the platform-specific parameters by using the `setupplatform` command.

A few `setupplatform` parameters involving system controller security are parameters that configure the following:

- Network settings
- Loghost for the platform
- SNMP community strings
- Access control list (ACL) for hardware
- Time out period for telnet and serial port connections

3. Setting the domain shell password for all domains by using the `password` command.
4. Setting the domain-specific parameters by using the `setupdomain` command.

A few `setupdomain` parameters involving system controller security are parameters that configure:

- Loghost for each domain
- SNMP for each domain (Public and Private Community Strings)

5. Saving the current configuration of the system by using the `dumpconfig` command.

This list of parameters is only a partial list of what you need to set up. For step-by-step software procedures, see Chapter 3.



## setupplatform and setupdomain Parameter Settings

For technical information on the `setupplatform` and `setupdomain` settings involving system controller security, see the system controller commands in the *Sun Fire 6800/4810/4800/3800 System Controller Command Reference Manual*. Also refer to the articles available online. See “System Controller Security” on page 64 for the URL.

## Setting and Changing Passwords for the Platform and the Domain

---

**Note** – Make sure that you know who has access to the system controller. Anyone who has that access can control the system.

---

When you set up your system for the first time:

- Make sure that you set the platform password and a different domain password for each domain (even if the domain is not used) to increase isolation between domains.
- Continue to change the platform and domain passwords on a regular basis.

---

## Domains

This section discusses domain separation and the `setkeyswitch` command.

### Domain Separation

The domain separation requirement is based on allocating computing resources to a specific domain. These mid-range systems enforce domain separation, which prevents users of one domain, who only have access to the Solaris operating environment running in that domain, from accessing or modifying the data of another domain.

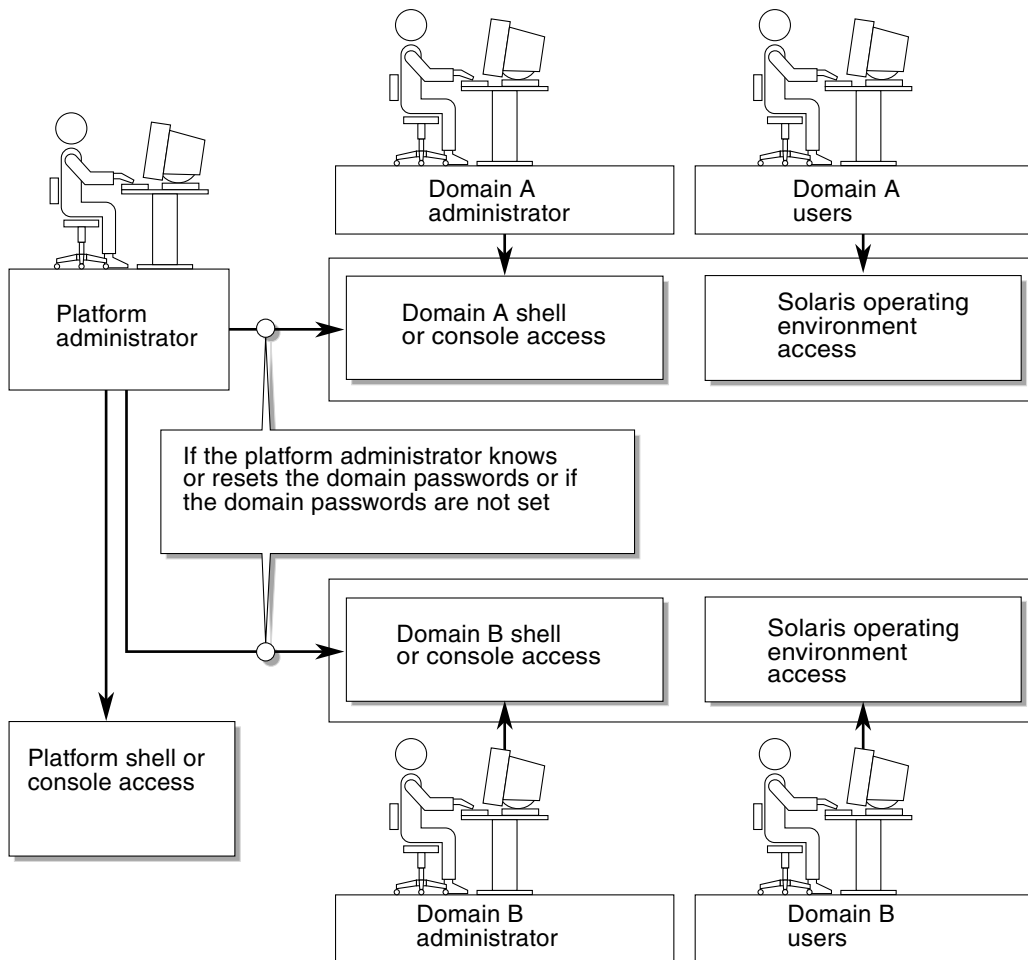
This security policy enforcement is performed by the software (FIGURE 5-1). In this figure, a domain user is a person who is using the Solaris operating environment and does not have access to the system controller. The domain administrator is responsible for:

- Configuring the domain
- Maintaining domain operations
- Overseeing the domain

As this figure shows, the domain administrator has access to the domain console and domain shell for the domain the administrator is responsible for. Also note in FIGURE 5-1 that the platform administrator has access to the platform shell and the platform console. If the platform administrator knows the domain passwords, the platform administrator also has access to domain shells and consoles. You should always set the domain shell passwords for each domain.

The following are security items to consider in each domain:

- Make sure that all passwords are within acceptable security guidelines. For example, each domain and the platform should have a unique password.
- Change your passwords for the platform and each domain shell on a regular basis.
- Scrutinize log files on a regular basis for any irregularities.



**FIGURE 5-1** System With Domain Separation

## setkeyswitch Command

The Sun Fire 6800/4810/4800/3800 systems do not have a physical keyswitch. You set the virtual keyswitch in each domain shell with the `setkeyswitch` command. To secure a running domain, set the domain keyswitch to the secure setting. For more information about `setkeyswitch`, refer to the online article, *Securing the Sun Fire Midframe System Controller* available online at

<http://www.sun.com/blueprints>

With the keyswitch set to secure, the following restrictions occur:

- Disables the ability to perform flashupdate operations on CPU/Memory boards or I/O assemblies. Performing flashupdate operations on these boards should be done only by an administrator who has platform shell access on the system controller.
- Ignores `break` and `reset` commands from the system controller. This is an excellent security precaution. This functionality also ensures that accidentally typing a `break` or `reset` command will not halt a running domain.

---

## Solaris Operating Environment Security

For information on securing the Solaris operating environment, refer to the following books and articles:

- *SunSHIELD Basic Security Module Guide* (Solaris 8 System Administrator Collection)
- *Solaris 8 System Administration Supplement* or the *System Administration Guide: Security Services* in the Solaris 9 System Administrator Collection
- Solaris security toolkit articles available online at <http://www.sun.com/blueprints>

---

## SNMP

The system controller uses SNMPv1, which is an insecure protocol. This means that the SNMPv1 traffic needs to be kept on a private network, as described in the online article, *Securing the Sun Fire Midframe System Controller* available online at

<http://www.sun.com/blueprints>

## General Administration

---

This chapter explains how to perform the following administrative and maintenance procedures:

- “Powering Off and On the System” on page 69
  - “Setting Keyswitch Positions” on page 73
  - “Shutting Down Domains” on page 74
  - “Assigning and Unassigning Boards” on page 75
  - “Swapping Domain HostID/MAC Addresses” on page 79
  - “Upgrading the Firmware” on page 83
  - “Saving and Restoring Configurations” on page 83
- 

## Powering Off and On the System

To power off the system, you must halt the Solaris operating environment in each domain and power off each domain.

Before you begin this procedure, have the following books available:

- *Sun Fire 6800/4810/4800/3800 Systems Service Manual*
- *Sun Hardware Platform Guide* (available with your version of the Solaris operating environment)

---

**Note** – If you have a redundant system controller configuration, review “Conditions That Affect Your SC Failover Configuration” on page 101 before you power cycle your system.

---

# Powering Off the System

When you power off the system, power off all of the active domains. Then power off the power grid(s). The last step is to power off the hardware.

## ▼ To Power Off the System

### 1. Connect to the appropriate domain shell.

See “System Controller Navigation” on page 38.

### 2. Type the following from the platform shell to display the status of all domains:

**CODE EXAMPLE 6-1** Displaying the Status of All Domains With the `showplatform -p status` Command

```
schostname:SC> showplatform -p status
```

Domain	Solaris Nodename	Domain Status	Keyswitch
A	nodename-a	Active - Solaris	on
B	-	Powered Off	off
C	-	Powered Off	off
D	-	Powered Off	off

```
schostname:SC>
```

### 3. Complete the following substeps for each active domain.

These substeps include halting the Solaris operating environment in each domain, turning off the domain keyswitch, and disconnecting from the session.

#### a. Enter the domain console you want to power off.

See “Obtaining a Domain Shell or Console” on page 36.

#### b. If the Solaris operating environment is running, log in as superuser and halt the operating environment:

```
root# init 0
ok
```

You will see the OpenBoot PROM `ok` prompt when the Solaris operating environment is shut down.

#### c. From the `ok` prompt, obtain the domain shell prompt.

i. Press and hold the CTRL key while pressing the ] key to get to the telnet> prompt.

ii. At the telnet> prompt, type send break:

```
ok CTRL ]
telnet> send break
schostrname:A>
```

The domain shell prompt is displayed.

d. Turn the domain keyswitch to the off position with the setkeyswitch off command:

```
schostrname:A> setkeyswitch off
```

e. Disconnect from the session by typing the disconnect command:

```
schostrname:A> disconnect
```

4. Access the platform shell (see “Obtaining the Platform Shell” on page 34) and power off the power grid(s) to power off the power supplies.

- If you have a Sun Fire 6800 system, you must power off power grids 0 and 1:

```
schostrname:SC> poweroff grid0 grid1
```

Go to Step 5.

- If you have a Sun Fire 4810/4800/3800 system, there is only one power grid, grid 0. Power off power grid 0:

```
schostrname:SC> poweroff grid0
```

5. Power off the hardware in your system.

Refer to the “Powering Off and On” chapter of the *Sun Fire 6800/4810/4800/3800 Systems Service Manual*.

## ▼ To Power On the System

### 1. Power on the hardware.

Refer to the “Powering Off and On” chapter of the *Sun Fire 6800/4810/4800/3800 Systems Service Manual*.

### 2. Access the system controller platform shell.

See “Obtaining the Platform Shell” on page 34.

### 3. Power on the power grids.

- If you have a Sun Fire 6800 system, power on power grid 0 and power grid 1:

```
schostname:SC> poweron grid0 grid1
```

- If you have a Sun Fire 4810/4800/3800 system, there is only one power grid, grid 0:

```
schostname:SC> poweron grid0
```

### 4. Boot each domain.

#### a. Access the domain shell for the domain you want to boot.

See “Obtaining a Domain Shell or Console” on page 36.

#### b. Boot the domain with the system controller `setkeyswitch on` command.

```
schostname:A> setkeyswitch on
```

This command turns on the domain and boots the Solaris operating environment if the OpenBoot PROM `auto-boot?` parameter is set to `true` and the OpenBoot PROM `boot-device` parameter is set to the proper boot device.

Use the `setupdomain` command (`OBP.auto-boot?` parameter), which is run from a domain shell, or the OpenBoot PROM `setenv auto-boot? true` command to control whether the Solaris operating environment auto boots when you turn the keyswitch on. For more information on the OpenBoot PROM parameters, see the *OpenBoot Command Reference Manual* included with your Solaris operating environment release.

Go to Step 5.



---

**Note** – If the Solaris operating environment did not boot automatically, continue with Step c. Otherwise, go to Step 5.

---

The Solaris operating environment *will not* boot automatically if the OpenBoot PROM `auto-boot?` parameter is set to false. You will see the `ok` prompt.

- c. **At the `ok` prompt, type the `boot` command to boot the Solaris operating environment:**

```
ok boot
```

After the Solaris operating environment is booted, the `login:` prompt is displayed.

```
login:
```

5. **To access and boot another domain, repeat Step 4.**

---

## Setting Keyswitch Positions

Each domain has a virtual keyswitch with five positions: off, standby, on, diag, and secure. The `setkeyswitch` command in the domain shell changes the position of the virtual keyswitch to the specified value. The virtual keyswitch replaces the need for a physical keyswitch for each domain. This command is also available, with limited functionality, in the platform shell.

For command syntax, examples, descriptions of `setkeyswitch` parameters, and results when you change the keyswitch setting, see the `setkeyswitch` command in the *Sun Fire 6800/4810/4800/3800 System Controller Command Reference Manual*.



---

**Caution** – During the `setkeyswitch` operation, heed the following precautions:

- Do not power off any boards assigned to the domain.
  - Do not reboot the system controller.
-

## ▼ To Power On a Domain

1. **Access the domain you want to power on.**  
See “System Controller Navigation” on page 38.
2. **Set the keyswitch to on, diag, or secure using the system controller setkeyswitch command.**

---

## Shutting Down Domains

This section describes how to shut down a domain.

## ▼ To Shut Down a Domain

1. **Connect to the domain console of the domain you want to shut down.**  
See “System Controller Navigation” on page 38.  
From the domain console, if the Solaris operating environment is booted you will see the %, #, or login: prompts.
2. **If the Solaris operating environment is running, halt the Solaris operating environment from the domain console as superuser.**

```
root# init 0  
ok
```

3. **Enter the domain shell from the domain console.**  
See “To Obtain the Domain Shell From the Domain Console” on page 37.
4. **In the domain shell, type:**

```
schostrname:A> setkeyswitch off
```

5. **If you need to completely power off the system, see “Powering Off and On the System” on page 69.**

---

# Assigning and Unassigning Boards

When you assign a board to a domain, the board must be listed in the access control list (ACL) for the domain. It *cannot* be already assigned to another domain. The ACL is checked only when you assign a board to a domain. If the board is assigned to a domain when the domain is active, the board *is not* automatically configured to be part of that domain.

- For an overview of steps on assigning and unassigning boards to or from a domain with and without dynamic reconfiguration (DR), see TABLE 6-1 and TABLE 6-2.
- For complete step-by-step procedures *without* using dynamic reconfiguration, see “To Assign a Board to a Domain” on page 76 and “To Unassign a Board From a Domain” on page 78.
- For procedures that use dynamic reconfiguration, refer to the *Sun Fire 6800, 4810, 4800, and 3800 Systems Dynamic Reconfiguration User Guide*.

**TABLE 6-1** Overview of Steps to Assign a Board to a Domain

To Assign a Board to a Domain Using DR	To Assign a Board to a Domain Without Using DR
<ol style="list-style-type: none"><li>1. Assign the disconnected and isolated board to the domain with the <code>cfgadm -x assign</code> command.</li><li>2. Use DR to configure the board into the domain. Refer to the <i>Sun Fire 6800, 4810, 4800, and 3800 Systems Dynamic Reconfiguration User Guide</i>.</li></ol>	<ol style="list-style-type: none"><li>1. Assign the board to the domain with the <code>addboard</code> command.</li><li>2. Halt the Solaris operating environment in the domain.</li><li>3. Shut down the domain with <code>setkeyswitch standby</code>.</li><li>4. Turn on the domain with <code>setkeyswitch on</code>.</li></ol>

**TABLE 6-2** Overview of Steps to Unassign a Board From a Domain

To Unassign a Board From a Domain Using DR	To Unassign a Board From a Domain Without Using DR
<ol style="list-style-type: none"><li>1. Use DR to unconfigure the board from the domain. Refer to the <i>Sun Fire 6800, 4810, 4800, and 3800 Systems Dynamic Reconfiguration User Guide</i>.</li><li>2. Unassign the board from the domain with the <code>cfgadm -c disconnect -o unassign</code> command.</li></ol>	<ol style="list-style-type: none"><li>1. Halt the Solaris operating environment in the domain.</li><li>2. Turn the keyswitch to standby mode with <code>setkeyswitch standby</code>.</li><li>3. Unassign the board from the domain with the <code>deleteboard</code> command.</li><li>4. Turn on the domain with <code>setkeyswitch on</code>.</li></ol>

## ▼ To Assign a Board to a Domain

---

**Note** – This procedure *does not* use dynamic reconfiguration (DR).

---

1. **Access the domain shell for the domain to which the board will be assigned.**  
See “Obtaining a Domain Shell or Console” on page 36.
2. **Type the `showboards` command with the `-a` option to find available boards that can be used in the domain.**

In the domain shell, the command output lists boards that are in the current domain. You can assign any board that is not yet assigned to a particular domain, but the board must be listed in the access control list (ACL).

**CODE EXAMPLE 6-2** `showboards -a` Example Before Assigning a Board to a Domain

```
schostname:A> showboards -a
```

Slot	Pwr	Component	Type	State	Status	Domain
----	---	-----		-----	-----	-----
/N0/SB0	On	CPU Board		Active	Not tested	A
/N0/IB6	On	CPU Board		Active	Not tested	A

If the board to be assigned to the domain is not listed in the `showboards -a` output, complete the following substeps. Otherwise, go to Step 3.

- a. **Make sure that the board has *not* been assigned to another domain by running the `showboards` command in the platform or domain shell.**

A board *cannot* be assigned to the current domain if it belongs to another domain.

- b. **Verify that the board is listed in the ACL for the domain.**

Use the `showplatform -p acls` command (platform shell) or the `showdomain -p acls` command (domain shell).

- c. **If the board is *not* listed in the ACL for the desired domain, use the `setupplatform -p acls` command from the platform shell to add the board to the ACL for the domain.**

See “To Configure Platform Parameters” on page 51.

**3. Assign the proper board to the desired domain with the `addboard` command.**

The board must be in the Available board state. For example, to assign CPU/Memory board, `sb2`, to the current domain, type:

```
schostname:A> addboard sb2
```

The new board assignment takes effect when you change the domain keyswitch from an inactive position (off or standby) to an active position (on, diag, or secure) using the system controller `setkeyswitch` command.

Assigning a board to a domain does not automatically make that board part of an active domain.

**4. If the domain is active (the domain is running the Solaris operating environment, the OpenBoot PROM, or POST), complete this step.**

- If the Solaris operating environment is running in the domain, log in as superuser to the Solaris operating environment and halt it. For details on how to halt a domain running the Solaris operating environment, refer to the *Sun Hardware Platform Guide*.
- If the OpenBoot PROM or POST is running, wait for the `ok` prompt.

**a. Obtain the domain shell.**

See “To Obtain the Domain Shell From the Domain Console” on page 37.

**b. Shut down the domain. Type:**

```
schostname:A> setkeyswitch standby
```

By setting the domain keyswitch to standby instead of off, the boards in the domain do not need to be powered on and tested again. Setting the keyswitch to standby also decreases downtime.

**c. Turn the domain on. Type:**

```
schostname:A> setkeyswitch on
```

---

**Note** – Rebooting the Solaris operating environment without using the `setkeyswitch` command does not configure boards that are in the Assigned board state into the active domain.

---

- d. If your environment is not set to boot the Solaris operating environment automatically in the domain after you turned the keyswitch on, boot the operating environment by typing `boot` at the `ok` prompt.

```
ok boot
```

---

**Note** – Setting up whether the Solaris operating environment automatically boots or not when you turn the keyswitch on is done either with the `setupdomain` command (OBP.`auto-boot?` parameter), which is run from a domain shell, or with the OpenBoot PROM `setenv auto-boot? true` command. For more information on the OpenBoot PROM parameters, see the *OpenBoot Command Reference Manual* included in the Sun Hardware Documentation set for your operating environment release.

---

## ▼ To Unassign a Board From a Domain

---

**Note** – This procedure *does not* use dynamic reconfiguration (DR).

---

Unassign a board from a domain with the `deleteboard` command. For a complete description of the `deleteboard` command, see the *Sun Fire 6800/4810/4800/3800 System Controller Command Reference Manual*.

---

**Note** – When you unassign a board from a domain, the domain must not be active. This means it must not be running the Solaris operating environment, the OpenBoot PROM, or POST. The board you are unassigning must be in the Assigned board state.

---

1. Halt the Solaris operating environment in the domain.

```
root# init 0  
ok
```

2. Enter the domain shell for the proper domain.  
See “System Controller Navigation” on page 38.
3. Turn the domain keyswitch off with `setkeyswitch off`.
4. Type the `showboards` command to list the boards assigned to the current domain.

5. Unassign the proper board from the domain with the `deleteboard` command:

```
schostname:A> deleteboard sb2
```

6. Turn on the domain. Type:

```
schostname:A> setkeyswitch on
```

7. If your environment is not set to automatically boot the Solaris operating environment in the domain, boot the operating environment. Type:

```
ok boot
```

---

## Swapping Domain HostID/MAC Addresses

The `HostID/MAC Address Swap` parameter of the `setupplatform` command enables you to swap the HostID/MAC address of one domain with another. This feature is useful when host-licensed software is tied to a particular domain HostID and MAC address, but you need to run that host-licensed software on another domain. You can swap the domain HostID/MAC address with that of an available domain and then run the host-licensed software on the available domain, without encountering license restrictions tied to the original domain HostID/MAC address.

### ▼ To Swap the HostID/MAC Address Between Two Domains

---

**Note** – If you want to downgrade from release 5.15.x to an earlier firmware release, you must restore the original domain HostID/MAC address assignments before performing the downgrade. For details, see “To Restore the HostID/MAC Address Swapped Between Domains” on page 81.

---

**1. From the platform shell on the main SC, type:**

```
shostname:SC> setupplatform -p hostid
```

The HostID/MAC Address Swap parameters are displayed.

**2. Select the domain pair involved in the HostID/MAC address swap.**

One of domains selected must be the domain on which the host-licensed software currently runs. The other domain selected must be an available domain on which the host-licensed software is to run. The domains selected must not be active.

For example:

```
HostID/MAC Address Swap
-----
Domain to swap HostID/MAC address [A,B,C,D]: b
Domain to swap HostID/MAC address with [A,B,C,D]: d
Commit swap? [no]: y
```

The HostID/MAC addresses of the specified domains are swapped when you commit the swap.

**3. Indicate whether you want to swap the HostID/MAC addresses between another pair of domains.**

```
Swap HostIDs/MAC addresses of another pair of Domains? [no]: n
```



#### 4. To verify the HostID/MAC address swap, type:

```
shostname:SC> showplatform -p hostid
```

For example:

```
shostname:SC> showplatform -p hostid

                MAC Address                HostID
                -----                -
Domain A        08:00:20:d8:88:99          80d88899
Domain B        08:00:20:d8:88:9c          80d8889c
Domain C        08:00:20:d8:88:9b          80d8889b
Domain D        08:00:20:d8:88:9a          80d8889a
SSC0            08:00:20:d8:88:9d          80d8889d
SSC1            08:00:20:d8:88:9e          80d8889e

System Serial Number: xxxxxxxx
Chassis HostID: xxxxxxxx
HostID/MAC address mapping mode: manual
```

The HostID/MAC address mapping mode setting is manual, which indicates that the HostID/MAC addresses for a domain pair have been swapped.

---

**Note** – If you are using a boot server, be sure to configure the boot server to recognize the swapped domain HostID/MAC addresses.

---

## ▼ To Restore the HostID/MAC Address Swapped Between Domains

---

**Note** – Use this procedure to restore swapped HostID/MAC addresses to their original domains. If you are downgrading from 5.15.x to an earlier firmware release, you must restore any swapped HostID/MAC addresses to their original domains before performing the downgrade. Refer to the `Install.info` file for complete downgrade instructions.

---

1. From the platform shell on the main SC, type:

```
schostname:SC> setupplatform -p hostid -m auto
```

2. Enter *y* (yes) to restore the HostID/MAC addresses that were swapped between domains:

```
HostID/MAC Address Swap
-----
Restore automatic HostID/MAC address assignment? [no]: y
```

3. To verify that the HostID/MAC addresses were restored to the original domains, type:

```
schostname:SC> showplatform -p hostid
```

For example:

```
schostname:SC> showplatform -p hostid

                MAC Address                HostID
                -----                -
Domain A        08:00:20:d8:88:99          80d88899
Domain B        08:00:20:d8:88:9a          80d8889a
Domain C        08:00:20:d8:88:9b          80d8889b
Domain D        08:00:20:d8:88:9c          80d8889c
SSC0            08:00:20:d8:88:9d          80d8889d
SSC1            08:00:20:d8:88:9e          80d8889e

System Serial Number: xxxxxxxx
Chassis HostID: xxxxxxxx
HostID/MAC address mapping mode: automatic
```

The HostID/MAC address mapping mode setting is *automatic*, which indicates that the swapped HostID/MAC addresses have been restored to their original domains.

---

**Note** – If you are using a boot server, be sure to configure the boot server to recognize the restored HostID/MAC addresses.

---

---

# Upgrading the Firmware

The `flashupdate` command updates the firmware in the system controller and the system boards (CPU/Memory boards and I/O assemblies). There is no firmware on the Repeater boards. This command is available in the platform shell only. The source flash image can be on a server or another board of the same type.

For a complete description of this command, including command syntax and examples, see the `flashupdate` command in the *Sun Fire 6800/4810/4800/3800 System Controller Command Reference Manual*.

---

**Note** – Review the `README` and `Install.info` files before you upgrade the firmware.

---

In order to upgrade the firmware from a URL, the firmware must be accessible from an FTP or HTTP URL. Before performing the `flashupdate` procedure read the `Install.info` file and the information in the “Description” section of the `flashupdate` command in the *Sun Fire 6800/4810/4800/3800 System Controller Command Reference Manual*. The “Description” section covers:

- Steps to perform before you upgrade the firmware.
- What to do if the images you installed are incompatible with the new images.



---

**Caution** – When you update the firmware on the system controller, update only one system controller at a time, as described in the `Install.info` file. **DO NOT** update both system controllers at the same time.

---

---

# Saving and Restoring Configurations

This section describes when to use the `dumpconfig` and `restoreconfig` commands.

---

**Note** – Be sure to save the system configuration whenever you upgrade the firmware. If you use the `dumpconfig` command to save a system configuration but later upgrade the firmware without saving the system configuration after the latest upgrade, the configuration files are associated with the previous firmware version. If you use the `restoreconfig` command to restore those configuration files, the `restoreconfig` operation will fail because the firmware version of the configuration file is not compatible with the upgraded firmware.

---

## Using the `dumpconfig` Command

Use the `dumpconfig` command to save platform and domain settings after you

- Complete the initial configuration of the platform and the domains.
- Modify the configuration, or change the hardware configuration.

For an explanation of how to use this command, see “Saving the Current Configuration to a Server” on page 54. For complete command syntax and examples of this command, refer to the `dumpconfig` command in the *Sun Fire 6800/4810/4800/3800 System Controller Command Reference Manual*.

## Using the `restoreconfig` Command

Use the `restoreconfig` command to restore platform and domain settings.

For complete command syntax and examples of this command, refer to the `restoreconfig` command in the *Sun Fire 6800/4810/4800/3800 System Controller Command Reference Manual*.

# Diagnosis and Domain Restoration

---

This chapter describes the error diagnosis and domain restoration capabilities included with the firmware for Sun Fire 6800/4810/4800/3800 systems. This chapter explains the following:

- “Diagnosis and Domain Restoration Overview” on page 85
- “Domain Restoration Controls” on page 89
- “Obtaining Auto-Diagnosis and Domain Restoration Information” on page 90

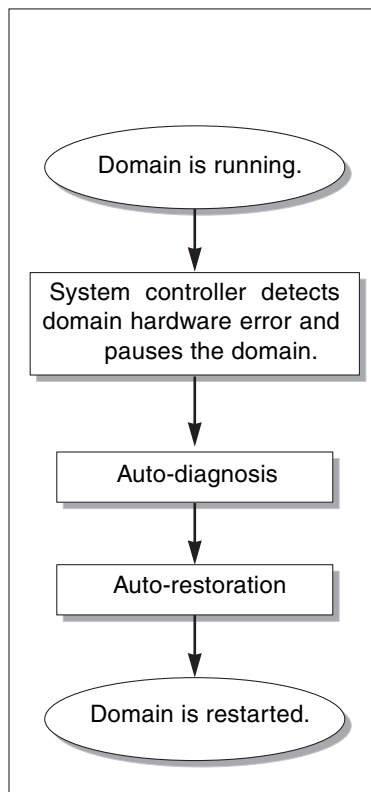
---

## Diagnosis and Domain Restoration Overview

The diagnosis and domain restoration features are enabled by default on Sun Fire midframe systems, starting with firmware version 5.15.0. This section provides an overview of how these capabilities work.

### Auto-Diagnosis and Auto-Restoration

Depending on the type of hardware errors that occur and the diagnostic controls that are set, the system controller performs certain diagnosis and domain restoration steps, as FIGURE 7-1 shows. The firmware includes an *auto-diagnosis* (AD) engine, which detects and diagnoses hardware errors that affect the availability of a platform and its domains.



**FIGURE 7-1** Error Diagnosis and Domain Restoration Process

The following summary describes the process shown in FIGURE 7-1:

1. **System Controller detects domain hardware error and pauses the domain.**
2. **Auto-diagnosis.** The AD engine analyzes the hardware error and determines which field-replaceable units (FRUs) are associated with the hardware error. The AD engine provides one of the following diagnosis results, depending on the hardware error and the components involved:
  - Identifies a single FRU that is responsible for the error.
  - Identifies multiple FRUs that are responsible for the error. Be aware that not all components listed may be faulty. The hardware error could be attributed to a smaller subset of the components identified.
  - Indicates that the FRUs responsible for the error cannot be determined. This condition is considered to be “unresolved” and requires further analysis by your service provider.

The AD engine records the diagnosis information for the affected components and maintains this information as part of the *component health status* (CHS).

The AD reports diagnosis information through the following:

- Platform and domain console event messages or the platform or domain loghost output, provided that the `syslog` loghost for the platform and domains has been configured (see “The `syslog` Loghost” on page 89 for details)

CODE EXAMPLE 7-1 shows an auto-diagnosis event message that appears on the platform console. In this example, a single FRU is responsible for the hardware error. See “Reviewing Auto-Diagnosis Event Messages” on page 90 for details on the AD message contents.

**CODE EXAMPLE 7-1** Example of Auto-Diagnosis Event Message Displayed on the Platform Console

```
Jan 23 20:47:11 schostname Platform.SC: ErrorMonitor: Domain A has a SYSTEM ERROR
.
.
.
[AD] Event: SF3800.ASIC.SDC.PAR_SGL_ERR.60111010
      CSN: 124H58EE DomainID: A ADInfo: 1.SCAPP.15.0
      Time: Thu Jan 23 20:47:11 PST 2003
      FRU-List-Count: 1; FRU-PN: 5014362; FRU-SN: 011600; FRU-LOC: /N0/SB0
      Recommended-Action: Service action required

Jan 23 20:47:16 schostname Platform.SC: A fatal condition is detected on Domain
A. Initiating automatic restoration for this domain.
```

---

**Note** – Contact your service provider when you see these auto-diagnosis messages. Your service provider will review the auto-diagnosis information and initiate the appropriate service action.

---

- Output from the `showlogs`, `showboards`, `showcomponent`, and `showerrorbuffer` commands (see “Obtaining Auto-Diagnosis and Domain Restoration Information” on page 90 for details on the diagnosis-related information displayed by these commands).

The output from these commands supplements the diagnosis information presented in the platform and domain event messages and can be used for additional troubleshooting purposes.

3. **Auto-restoration.** During the auto-restoration process, POST reviews the component health status of FRUs that were updated by the AD engine. POST uses this information and tries to isolate the fault by deconfiguring (disabling) any

FRUs from the domain that have been determined to cause the hardware error. Even if POST cannot isolate the fault, the system controller then automatically reboots the domain as part of domain restoration.

## Automatic Recovery of Hung Domains

The system controller automatically monitors domains for hangs when

- A domain heartbeat stops within a designated timeout period.

The default timeout value is three minutes, but you can override this value by setting the `watchdog_timeout_seconds` parameter in the domain `/etc/systems` file. If you set the value to less than three minutes, the system controller uses three minutes (the default value) as the timeout period. For details on this system parameter, refer to the `system(4)` man page of your Solaris operating environment release.

- The domain does not respond to interrupts.

When the `hang_policy` parameter of the `setupdomain` command is set to `reset`, the system controller automatically performs an externally initiated reset (XIR) and reboots the hung domain. If the `OBP.error-reset-recovery` parameter of the `setupdomain` command is set to `sync`, a core file is also generated after an XIR and can be used to troubleshoot the domain hang. See “Domain Parameters” on page 89 section for details.

CODE EXAMPLE 7-2 shows the domain console message displayed when the domain heartbeat stops.

**CODE EXAMPLE 7-2** Example of Domain Message Output for Automatic Domain Recovery After the Domain Heartbeat Stops

```
Jan 22 14:59:23 schostname Domain-A.SC: Domain watchdog timer expired.  
Jan 22 14:59:23 schostname Domain-A.SC: Using default hang-policy (RESET).  
Jan 22 14:59:23 schostname Domain-A.SC: Resetting (XIR) domain.
```



CODE EXAMPLE 7-3 shows the domain console message displayed when the domain does not respond to interrupts.

**CODE EXAMPLE 7-3** Example of Domain Console Output for Automatic Domain Recovery After the Domain Does Not Respond to Interrupts

```
Jan 22 14:59:23 schostname Domain-A.SC: Domain is not responding to interrupts.  
Jan 22 14:59:23 schostname Domain-A.SC: Using default hang-policy (RESET).  
Jan 22 14:59:23 schostname Domain-A.SC: Resetting (XIR) domain.
```

---

## Domain Restoration Controls

This section explains the various controls and domain parameters that affect the domain restoration features.

### The syslog Loghost

Sun strongly recommends that you define platform and domain loghosts to which all system log (`syslog`) messages are forwarded and stored. Platform and domain messages, including the auto-diagnostic and domain-restoration event messages, cannot be stored locally. By specifying a loghost for platform and domain log messages, you can use the loghost to monitor and review critical events and messages as needed. However, you must set up a loghost server if you want to assign platform and domain loghosts.

You assign the loghosts through the `Loghost` and the `Log Facility` parameters in the `setupplatform` and `setupdomain` commands. The facility level identifies where the log messages originate, either the platform or a domain. For details on these commands, refer to their command descriptions in the *Sun Fire 6800/4810/4800/3800 System Controller Command Reference Manual*.

### Domain Parameters

TABLE 7-1 describes the domain parameter settings in the `setupdomain` command that control the diagnostic and domain recovery process. The default values for the diagnostic and domain restoration parameters are the recommended settings.

---

**Note** – If you do not use the default settings, the domain restoration features will not function as described in “Diagnosis and Domain Restoration Overview” on page 85.

---

**TABLE 7-1** Diagnostic and Domain Recovery Parameters in the `setupdomain` Command

<code>setupdomain</code> Parameter	Default Value	Description
<code>reboot-on-error</code>	<code>true</code>	Automatically reboots the domain when a hardware error is detected. Also boots the Solaris operating environment when the <code>OBP.auto-boot</code> parameter is set to <code>true</code> .
<code>hang-policy</code>	<code>reset</code>	Automatically resets a hung domain through an externally initiated reset (XIR).
<code>OBP.auto-boot</code>	<code>true</code>	Boots the Solaris operating environment after POST runs.
<code>OBP.error-reset-recovery</code>	<code>sync</code>	Automatically reboots the domain after an XIR occurs and generates a core file that can be used to troubleshoot the domain hang. However, be aware that sufficient disk space must be allocated in the domain swap area to hold the core file.

For a complete description of all the domain parameters and their values, refer to the `setupdomain` command description in the *Sun Fire 6800/4810/4800/3800 System Controller Command Reference Manual*.

---

## Obtaining Auto-Diagnosis and Domain Restoration Information

This section describes various ways to monitor diagnostic errors and obtain additional information about components that are associated with hardware errors.

### Reviewing Auto-Diagnosis Event Messages

Auto-diagnosis event messages are displayed on the platform and domain console and also in the following:

- The platform or domain loghost, provided that you have defined the `syslog` host for the platform and domains.

Each line of the loghost output contains a timestamp, a `syslog` ID number, and the facility level that identifies where the log message originated (the platform or a domain).

- The `showlogs` command output, which displays the event messages logged on the platform or domain console.

For details on the `showlogs` command, refer to the command description in the *Sun Fire 6800/4810/4800/3800 System Controller Command Reference Manual*.

The diagnostic information logged on the platform and domain are similar, but the domain log provides additional information on the domain hardware error. The auto-diagnosis event message includes the following information:

- [AD] – Beginning of the auto-diagnosis message.
- Event – An alphanumeric text string that identifies the platform and event-specific information used by your service provider.
- CSN – Chassis serial number.
- DomainID – The domain affected by the hardware error.
- ADInfo – The version of the auto-diagnosis message, the name of the diagnosis engine (SCAPP), and the auto-diagnosis engine version.
- Time – The day of the week, month, date, time (hours, minutes, and seconds), time zone, and year of the auto-diagnosis.
- FRU-List-Count – The number of components (FRUs) involved with the error and the following FRU data:
  - If a single component is implicated, the FRU part number, serial number, and location are displayed, as CODE EXAMPLE 7-1 shows.
  - If multiple components are implicated, the FRU part number, serial number, and location for all the components involved are reported, as CODE EXAMPLE 7-4 shows.

In some cases, be aware that not all the FRUs listed are necessarily faulty. The fault may reside in a subset of the components identified.

- If the AD engine cannot implicate specific components, the term UNRESOLVED is displayed, as CODE EXAMPLE 7-5 shows.
- Recommended-Action: Service action required – Instructs the platform or domain administrator to contact their service provider for further service action. Also indicates the end of the auto-diagnosis message.

**CODE EXAMPLE 7-4** Example of Domain Console Auto-Diagnostic Message Involving Multiple FRUs

```
Jan. 23 21:07:51 schostname Domain-A.SC: ErrorMonitor: Domain A has a SYSTEM ERROR
.
.
.
[AD] Event: SF3800.ASIC.SDC.PAR_L2_ERR_TT.60113022
      CSN: 124H58EE  DomainID: A ADInfo: 1.SCAPP.15.0
      Time: Thu Jan 23 21:07:51 PST 2003
      FRU-List-Count: 2; FRU-PN: 5015876; FRU-SN: 000429; FRU-LOC: RP0
                FRU-PN: 5014362; FRU-SN: 011570; FRU-LOC: /N0/SB2
      Recommended-Action: Service action required
Jan 23 21:08:01 schostname Domain-A.SC: A fatal condition is detected on Domain
A. Initiating automatic restoration for this domain.
```

**CODE EXAMPLE 7-5** Example of Domain Console Auto-Diagnostic Message Involving an Unresolved Diagnosis

```
Jan 23 21:47:28 schostname Domain-A.SC: ErrorMonitor: Domain A has a SYSTEM ERROR
.
.
.
[AD] Event: SF3800
      CSN: 124H58EE  DomainID: A ADInfo: 1.SCAPP.15.0
      Time: Thu Jan 23 21:47:28 PST 2003
      FRU-List-Count: 0; FRU-PN: ; FRU-SN: ; FRU-LOC: UNRESOLVED
      Recommended-Action: Service action required

Jan 23 21:47:28 schostname Domain-A.SC: A fatal condition is detected on Domain
A. Initiating automatic restoration for this domain.
```

## Reviewing Component Status

You can obtain additional information about components that have been deconfigured as part of the auto-diagnosis process or disabled for other reasons by reviewing the following items:

- The `showboards` command output after an auto-diagnosis has occurred

CODE EXAMPLE 7-6 shows the location assignments and the status for all components in the system. The diagnostic-related information is provided in the `Status` column for a component. Components that have a `Failed` or `Disabled` status are deconfigured from the system. The `Failed` status indicates that the board failed testing and is not usable. `Disabled` indicates that the board has been deconfigured from the system, because it was disabled using the `setls` command or because it failed POST. `Degraded` status indicates that certain components on the boards have failed or are disabled, but there are still usable parts on the board. Components with degraded status are configured into the system.

You can obtain additional information about `Failed`, `Disabled`, or `Degraded` components by reviewing the output from the `showcomponent` command.

**CODE EXAMPLE 7-6** `showboards` Command Output – Disabled and Degraded Components

```

schostname: SC> showboards

Slot      Pwr Component Type          State      Status      Domain
----      -  -
SSC0      On  System Controller      Main      Passed      -
SSC1      -   Empty Slot              -         -           -
ID0       On  Sun Fire 4800 Centerplane -         OK          -
PS0       -   Empty Slot              -         -           -
PS1       On  A153 Power Supply       -         OK          -
PS2       On  A153 Power Supply       -         OK          -
FT0       On  Fan Tray                High Speed OK          -
FT1       On  Fan Tray                High Speed OK          -
FT2       On  Fan Tray                High Speed OK          -
RP0       On  Repeater Board          -         OK          -
/N0/SB0   On  CPU Board               Assigned  Disabled    A
SB2       -   Empty Slot              Assigned  -           A
/N0/SB4   On  CPU Board               Active    Degraded    A
/N0/IB6   On  PCI I/O Board           Active    Passed      A
IB8       Off PCI I/O Board           Available Not tested  Isolated

```

- The `showcomponent` command output after an auto-diagnosis has occurred

The `Status` column in CODE EXAMPLE 7-7 shows the status for components. The status is either `enabled` or `disabled`. The disabled components are deconfigured from the system. The POST status `chs` (abbreviation for component health status) flags the component for further analysis by your service provider.

---

**Note** – Disabled components that have a POST status of `chs` cannot be enabled by using the `setls` command. Contact your service provider for assistance. In some cases, subcomponents belonging to a “parent” component associated with a hardware error will also reflect a disabled status, as does the parent. You cannot re-enable the subcomponents of a parent component associated with a hardware error. Review the auto-diagnosis event messages to determine which parent component is associated with the error.

---

**CODE EXAMPLE 7-7** `showcomponent` Command Output – Disabled Components

```

schostrname: SC> showcomponent

Component          Status    Pending POST  Description
-----
/N0/SB0/P0         disabled -      chs    UltraSPARC-III+, 900MHz, 8M ECache
/N0/SB0/P1         disabled -      chs    UltraSPARC-III+, 900MHz, 8M ECache
/N0/SB0/P2         disabled -      chs    UltraSPARC-III+, 900MHz, 8M ECache
/N0/SB0/P3         disabled -      chs    UltraSPARC-III+, 900MHz, 8M ECache
/N0/SB0/P0/B0/L0   disabled -      chs    empty
/N0/SB0/P0/B0/L2   disabled -      chs    empty
/N0/SB0/P0/B1/L1   disabled -      chs    512M DRAM
/N0/SB0/P0/B1/L3   disabled -      chs    512M DRAM
.
.
.
/N0/SB0/P3/B0/L0   disabled -      chs    empty
/N0/SB0/P3/B0/L2   disabled -      chs    empty
/N0/SB0/P3/B1/L1   disabled -      chs    512M DRAM
/N0/SB0/P3/B1/L3   disabled -      chs    512M DRAM
/N0/SB4/P0         enabled  -      pass   UltraSPARC-III+, 900MHz, 8M ECache
/N0/SB4/P1         enabled  -      pass   UltraSPARC-III+, 900MHz, 8M ECache
/N0/SB4/P2         enabled  -      pass   UltraSPARC-III+, 900MHz, 8M ECache
/N0/SB4/P3         enabled  -      pass   UltraSPARC-III+, 900MHz, 8M ECache
.
.
.

```

## Reviewing Additional Error Information

The `showerrorbuffer` command shows the contents of the system error buffer and displays error messages that otherwise might be lost when your domains are rebooted as part of the domain recovery process. The information displayed can be used by your service provider for troubleshooting purposes.

CODE EXAMPLE 7-8 shows the output displayed for a domain hardware error.

### CODE EXAMPLE 7-8 `showerrorbuffer` Command Output – Hardware Error

```
schostrname: SC> showerrorbuffer

ErrorData[0]
  Date: Tue Jan 21 14:30:20 PST 2003
  Device: /SSC0/sbbc0/systemepld
  Register: FirstError[0x10] : 0x0200
           SB0 encountered the first error
ErrorData[1]
  Date: Tue Jan 21 14:30:20 PST 2003
  Device: /partition0/domain0/SB4/bbcGroup0/repeaterepld
  Register: FirstError[0x10]: 0x00c0
           sbbc0 encountered the first error
           sbbc1 encountered the first error
ErrorData[2]
  Date: Tue Jan 21 14:30:20 PST 2003
  Device: /partition0/domain0/SB4/bbcGroup0/sbbc0
  ErrorID: 0x50121fff
  Register: ErrorStatus[0x80] : 0x00000300
           SafErr [09:08] : 0x3 Fireplane device asserted an error
.
.
.
```





# System Controller Failover

---

Sun Fire 6800/4810/4800/3800 systems can be configured with two system controllers for high availability. In a high-availability system controller (SC) configuration, one SC serves as the *main* SC, which manages all the system resources, while the other SC serves as a *spare*. When certain conditions cause the main SC to fail, a switchover or *failover* from the main SC to the spare is triggered automatically, without operator intervention. The spare SC assumes the role of the main and takes over all system controller responsibilities.

This chapter explains the following:

- “SC Failover Overview” on page 97
- “SC Failover Prerequisites” on page 100
- “Conditions That Affect Your SC Failover Configuration” on page 101
- “Managing SC Failover” on page 101
- “Recovering After an SC Failover” on page 105

---

## SC Failover Overview

The SC failover capability is enabled by default on Sun Fire midframe servers that have two System Controller boards installed. The failover capability includes both automatic and manual failover. In automatic SC failover, a failover is triggered when certain conditions cause the main SC to fail or become unavailable. In manual SC failover, you force the switchover of the spare SC to the main.

The failover software performs the following tasks to determine when a failover from the main SC to the spare is necessary and to ensure that the system controllers are failover-ready:

- Continuously checks the heartbeat of the main SC and the presence of the spare SC.
- Copies data from the main SC to the spare SC at regular intervals so that the data on both system controllers is synchronized if a failover occurs.

If at any time the spare SC is not available or does not respond, the failover mechanism disables SC failover. If SC failover is enabled, but the connection link between the SCs is down, failover remains enabled and active until the system configuration changes. After a configuration change, such as a change in platform or domain parameter settings, the failover mechanism remains enabled, but it is not active (SC failover is not in a failover-ready state because the connection link is down). You can check the SC failover state by using commands such as `showfailover` or `showplatform`, as explained in “To Obtain Failover Status Information” on page 103.

## What Triggers an Automatic Failover

A failover from the main to the spare SC is triggered when one of the following failure conditions occurs:

- The heartbeat of the main SC stops.
- The main SC is rebooted but does not boot successfully.
- A fatal software error occurs.

## What Happens During a Failover

An SC failover is characterized by the following:

- Failover event message.

The SC failover is logged in the platform message log file, which is viewed on the console of the new main SC or through the `showlogs` command on the SC. The information displayed indicates that a failover has occurred and identifies the failure condition that triggered the failover.

CODE EXAMPLE 8-1 shows the type of information that appears on the console of the spare SC when a failover occurs due to a stop in the main SC heartbeat:

### CODE EXAMPLE 8-1 Messages Displayed During an Automatic Failover

```
Platform Shell - Spare System Controller

sp4-sc0:sc> Nov 12 01:15:42 sp4-sc0 Platform.SC: SC Failover: enabled and
active.
```

**CODE EXAMPLE 8-1** Messages Displayed During an Automatic Failover (*Continued*)

```
Nov 12 01:16:42 sp4-sc0 Platform.SC: SC Failover: no heartbeat detected from the
Main SC
Nov 12 01:16:42 sp4-sc0 Platform.SC: SC Failover: becoming main SC ...

Nov 12 01:16:49 sp4-sc0 Platform.SC: Chassis is in single partition mode.
Nov 12 01:17:04 sp4-sc0 Platform.SC: Main System Controller
Nov 12 01:17:04 sp4-sc0 Platform.SC: SC Failover: disabled

sp4-sc1:SC>
```

- Change in the SC prompt.

The prompt for the main SC is *hostname:SC>* . Note that the upper-case letters, **SC**, identify the main SC.

The prompt for the spare SC is *hostname:sc>* . Note that the lower-case letters, **sc**, identify the spare SC.

When an SC failover occurs, the prompt for the spare SC changes and becomes the prompt for the main SC (*hostname:SC>* ), as shown in the last line of CODE EXAMPLE 8-1.

- Command execution is disabled.

When an SC failover is in progress, command execution is disabled.

- Short recovery period.

The recovery time for an SC failover from the main to the spare is approximately five minutes or less. This recovery period consists of the time required to detect a failure and direct the spare SC to assume the responsibilities of the main SC.

- No disturbance to running domains.

The failover process does not affect any running domains, except for temporary loss of services from the system controller.

- Deactivation of the SC failover feature.

After an automatic or manual failover occurs, the failover capability is automatically disabled. This prevents the possibility of repeated failovers back and forth between the two SCs.

- Telnet connections to domain consoles are closed.

A failover closes a telnet session connected to the domain console, and any domain console output is lost. When you reconnect to the domain through a telnet session, you must specify the host name or IP address of the new main SC, unless you previously assigned a logical host name or IP address to your main system controller. See the next section for an explanation of the logical host name and IP address.

The remainder of this chapter describes SC failover prerequisites, conditions that affect your SC failover configuration, and how to manage SC failover, including how to recover after an SC failover occurs.

---

## SC Failover Prerequisites

This section identifies SC failover prerequisites and optional platform parameters that can be set for SC failover:

- Same firmware version required on both the main and spare SC

Starting with the 5.13.0 release, SC failover requires that you run the same version of the firmware on both the main and spare system controller. Be sure to follow the instructions for installing and upgrading the firmware described in the `Install.info` file that accompanies the firmware release.

- Optional platform parameter settings

You can optionally perform the following after you install or upgrade the firmware on each SC:

- Assign a logical host name or IP address to the main system controller.

The logical host name or IP address identifies the working main system controller, even after a failover occurs. Assign the logical IP address or host name by running the `setupplatform` command on the main SC.

---

**Note** – The logical host name or IP address is required if you are using Sun Management Center software for Sun Fire 6800/4810/4800/3800 systems.

---

- Use SNTP to keep the date and time values between the main and spare system controllers synchronized.

The date and time between the two SCs must be synchronized, to ensure that the same time service is provided to the domains. Run the `setupplatform` command on each SC to identify the host name or IP address of the system to be used as the SNTP server (reference clock).

For further information on setting the platform date and time, see “To Set the Date and Time for the Platform” on page 50.

---

# Conditions That Affect Your SC Failover Configuration

If you power cycle your system (power your system off then on), note the following:

- After a power cycle, the first system controller that boots `scapp` becomes the main SC.

Certain factors, such as disabling or running SC POST with different diag levels, influence which SC is booted first.

- Be sure that SC failover is enabled and active before you power cycle your system, to ensure that data on both system controllers is current and synchronized.

If SC failover is disabled at the time a power cycle occurs, it is possible for the new main SC to boot with a stale SC configuration.

When SC failover is disabled, data synchronization does not occur between the main and spare SC. As a result, any configuration changes made on the main SC are not propagated to the spare. If the roles of the main and spare SC change after a power cycle, `scapp` on the new main SC will boot with a stale SC configuration. As long as SC failover is enabled and active, data on both SCs will be synchronized, and it will not matter which SC becomes the main SC after the power cycle.

---

## Managing SC Failover

You control the failover state by using the `setfailover` command, which enables you to do the following:

- Disable SC failover.
- Enable SC failover.
- Perform a manual failover.

You can also obtain failover status information through commands such as `showfailover` or `showplatform`. For details, see “To Obtain Failover Status Information” on page 103.

## ▼ To Disable SC Failover

- From the platform shell on either the main or spare SC, type:

```
schostname:SC> setfailover off
```

A message indicates failover is disabled. Note that SC failover remains disabled until you re-enable it (see the next procedure).

## ▼ To Enable SC Failover

- From the platform shell on either the main or spare SC, type:

```
schostname:SC> setfailover on
```

The following message is displayed while the failover software verifies the failover-ready state of the system controllers:

```
SC Failover: enabled but not active.
```

Within a few minutes, after failover readiness has been verified, the following message is displayed on the console, indicating that SC failover is activated:

```
SC Failover: enabled and active.
```

## ▼ To Perform a Manual SC Failover

1. Be sure that other SC commands are not currently running on the main SC.

## 2. From the platform shell on either the main or spare SC, type:

```
schostname:SC> setfailover force
```

A failover from one SC to the other occurs, unless there are fault conditions (for example, the spare SC is not available or the connection link between the SCs is down) that prevent the failover from taking place.

A message describing the failover event is displayed on the console of the new main SC.

Be aware that the SC failover capability is automatically disabled after the failover. If at some point you need the SC failover feature, be sure to re-activate failover (see “To Enable SC Failover” on page 102).

## ▼ To Obtain Failover Status Information

- **Run any of the following commands from either the main or spare SC to display failover information:**
  - The `showfailover(1M)` command displays SC failover state information. For example:

### CODE EXAMPLE 8-2 `showfailover` Command Output Example

```
schostname:SC> showfailover -v  
SC: SSC0  
Main System Controller  
SC Failover: enabled and active.  
Clock failover enabled.
```

The SC failover state can be one of the following:

- `enabled and active` – SC failover is enabled and functioning normally.
- `disabled` – SC failover has been disabled as a result of an SC failover or because the SC failover feature was specifically disabled (through the `setfailover off` command)
- `enabled but not active` – SC failover is enabled, but certain hardware components, such as the spare SC or the centerplane between the main and spare SC, are not in a failover-ready state.

- degraded – The SC failover configuration is *degraded* when the main and spare SC are running different firmware versions, and the following conditions exist:
  - The main SC has a higher firmware version than the spare.
  - A board in the system can be controlled by the main SC but not the spare.

In this case, the `showfailover -v` output indicates that the failover configuration is degraded and identifies the boards that cannot be managed by the spare SC. For example:

**CODE EXAMPLE 8-3** `showfailover` Command Output – Failover Degraded Example

```

schostname:SC> showfailover -v
SC: SSC0
Main System Controller
SC Failover: enabled and active.
Clock failover enabled.
SC Failover: Failover is degraded
SC Failover: Please upgrade the other SC SSC1 running 5.13.0
SB0: COD CPU Board V2 not supported on 5.13.0
SB2: CPU Board V3 not supported on 5.13.0
.
.
.

```

If a degraded failover condition occurs, upgrade the spare system controller firmware to the same version used by the main system controller. For firmware upgrade instructions, refer to the `Install.info` file that accompanies the firmware release.

- The `showplatform` and `showsc` commands also display failover information, similar to the output of the `showfailover` command shown in CODE EXAMPLE 8-2.
- The `showboards` command identifies the state of the System Controller boards, either Main or Spare.

For details on these commands, refer to their descriptions in the *Sun Fire 6800/4810/4800/3800 System Controller Command Reference Manual*.



---

# Recovering After an SC Failover

This section explains the recovery tasks that you must perform after an SC failover occurs.

## ▼ To Recover After an SC Failover Occurs

### 1. Identify the failure point or condition that caused the failover and determine how to correct the failure.

#### a. Use the `showlogs` command to review the platform messages logged for the working SC.

Evaluate these messages for failure conditions and determine the corrective action needed to reactivate any failed components.

#### b. If the `syslog loghost` has been configured, review the platform `loghost` to see any platform messages for the failed SC.

#### c. If you need to replace a failed System Controller board, see “To Remove and Replace a System Controller Board in a Redundant SC Configuration” on page 150.

If you need to hotplug an SC (remove an SC that has been powered off and then insert a replacement SC), be sure to verify that the clock signals to the system boards are coming from the new main SC before you perform the hot-plug operation. Run the `showboard -p clock` command to verify the clock signal source.

#### d. If an automatic failover occurred while you were running the `flashupdate`, `setkeyswitch`, or `DR` commands, rerun those commands after you resolve the failure condition.

Any `flashupdate`, `setkeyswitch`, or `DR` operations are stopped when an automatic failover occurs. However, if you were running configuration commands such as `setupplatform`, it is possible that some configuration changes occurred before the failover. Be sure to verify whether any configuration changes were made

For example, if you were running the `setupplatform` command when an automatic failover occurred, use the `showplatform` command to verify any configuration changes made before the failover. After you resolve the failure condition, run the appropriate commands to update your configuration as needed.

2. After you resolve the failover condition, re-enable SC failover by using the `setfailover on` command (see "To Enable SC Failover" on page 102).

# Troubleshooting

---

An internal fault is any condition that is considered to be unacceptable for normal system operation. When the system has a fault, the Fault LED (🔴) will turn on. When domains encounter hardware errors, the auto-diagnosis and auto-restoration features will detect, diagnose, and attempt to deconfigure components associated with hardware errors (see “Auto-Diagnosis and Auto-Restoration” on page 85 for details). However, further troubleshooting by the system administrator may be necessary when there are other system problems or error conditions that are not handled by the auto-diagnosis engine.

This chapter provides general guidelines for troubleshooting system problems and covers the following topics:

- “Capturing and Collecting System Information” on page 107
- “Domain Not Responding” on page 111
- “Board and Component Failures” on page 112

---

## Capturing and Collecting System Information

To analyze a system failure or to assist your Sun service provider in determining the cause of a system failure, gather information from the following sources:

- Platform, Domain, and System Messages
- Platform and Domain Status Information From System Controller Commands
- Diagnostic and System Configuration Information From Solaris Operating Environment Commands

# Platform, Domain, and System Messages

TABLE 9-1 identifies different ways to capture error messages and other system information displayed on the platform or console.

**TABLE 9-1** Capturing Error Messages and Other System Information

Error Logging System	Definition
<code>/var/adm/messages</code>	<p>File in the Solaris operating environment containing messages that are reported by the Solaris operating environment as determined by <code>syslog.conf</code>. This file does not contain any system controller or domain console messages.</p> <p><b>Note:</b> Messages diverted to external <code>syslog</code> hosts can be found in the <code>/var/adm/messages</code> file of the <code>syslog</code> host.</p>
Platform console	Contains and displays system controller error and event messages.
Domain console	<p>Contains and displays:</p> <ul style="list-style-type: none"><li>• Messages written to the domain console by the Solaris operating environment</li><li>• System controller error and event messages</li></ul> <p><b>Note:</b> System controller messages that relate to a domain are reported to the domain console only and are not reported to the Solaris operating environment.</p>
<code>loghost</code>	<p>Used to collect system controller messages. You must set up a <code>syslog</code> <code>loghost</code> for the platform shell and for each domain shell, to capture platform and domain console output. To permanently save <code>loghost</code> error messages, you must set up a <code>loghost</code> server. For details on setting up the <code>loghost</code> for the platform and domains, see TABLE 3-1.</p> <p>The system controller log files are necessary because they contain more information than the <code>showlogs</code> system controller command. Also, with the system controller log files, your service provider can obtain a persistent, stored history of the system, which can help during troubleshooting.</p>
<code>showlogs</code>	<p>System controller command that displays system controller messages for the platform and domain that are stored in the message buffer. Once the buffer is filled, the old messages are overwritten.</p> <p>The message buffer is cleared under these conditions:</p> <ul style="list-style-type: none"><li>• When you reboot the system controller</li><li>• When the system controller loses power</li></ul>
<code>showerrorbuffer</code>	System controller command that displays system error information stored in the system error buffer. The output provides details about the error, such as a fault condition. You and your service provider can review this information to analyze a failure or problem. The first error entry in the buffer is retained for diagnostic purposes. However, once the buffer becomes full, subsequent error messages cannot be stored and are discarded. The error buffer must be cleared by your service provider after the error condition is resolved.

# Platform and Domain Status Information From System Controller Commands

TABLE 9-2 identifies system controller commands that provide platform and domain status information that can be used for troubleshooting purposes.

**TABLE 9-2** System Controller Commands that Display Platform and Domain Status Information

Command	Platform	Domain	Description
<code>showboards -v</code>	x	x	Displays the assignment information and status for all the components in the system.
<code>showenvironment</code>	x	x	Displays the current environmental status, temperatures, currents, voltages, and fan status for the platform or the domain.
<code>showdomain -v</code>		x	Displays the domain configuration parameters.
<code>showerrorbuffer</code>	x		Shows the contents of the system error buffer.
<code>showlogs -v or showlogs -v d domainID</code>	x	x	Displays the system controller-logged events stored in the system controller message buffer.
<code>showplatform -v or showplatform -d domainID</code>	x		Shows the configuration parameters for the platform and specific domain information.
<code>showresetstate -v or showresetstate -v -f URL</code>		x	Prints a summary report of the contents of registers from every CPU in the domain that has a valid saved state. If you specify the <code>-f URL</code> option with the <code>showresetstate</code> command, the report summary is written to a URL, which can be reviewed by your service provider.
<code>showsc -v</code>	x		Shows the system controller and clock failover status, ScApp and RTOS versions, and uptime.

For additional information on these commands, refer to their command descriptions in the *Sun Fire 6800/4810/4800/3800 System Controller Command Reference Manual*.

# Diagnostic and System Configuration Information From Solaris Operating Environment Commands

To obtain diagnostic and system configuration information through the Solaris operating environment, use the following commands:

- `prtconf` command

The `prtconf` command prints the system configuration information. The output includes:

- Total amount of memory
- Configuration of the system peripherals formatted as a device tree

This command has many options. For command syntax, options, and examples, see the `prtconf(1M)` man page in your Solaris operating environment release.

- `prtdiag` command

The `prtdiag` command displays the following information to the domain of your Sun Fire 6800/4810/4800/3800 system:

- Configuration
- Diagnostic (any failed FRUs)
- Total amount of memory

For more information on this command, see the `prtdiag(1M)` man page in your Solaris operating environment release.

- `sysdef` command

The Solaris operating environment `sysdef` utility outputs the current system definition in tabular form. It lists:

- All hardware devices
- Pseudo devices
- System devices
- Loadable modules
- Values of selected kernel tunable parameters

This command generates the output by analyzing the named bootable operating system file (*namelist*) and extracting configuration information from it. The default system *namelist* is `/dev/kmem`.

For command syntax, options, and examples, see the `sysdef(1M)` man page in your Solaris operating environment release.

- `format` command

The Solaris operating environment utility, `format`, which is used to format drives, can also be used to display both logical and physical device names. For command syntax, options, and examples, see the `format(1M)` man page in your Solaris operating environment release.

---

## Domain Not Responding

If a domain is not responding, the domain is most likely in one of the following states:

- Paused due to a hardware error

If the system controller detects a hardware error, and the `reboot-on-error` parameter in the `setupdomain` command is set to `true`, the domain is automatically rebooted after the auto-diagnosis engine reports and deconfigures components associated with the hardware error.

However, if the `reboot-on-error` parameter is set to `false`, the domain is paused. If the domain is paused, reset the domain by turning the domain off with the `setkeyswitch off` command and then turning the domain on with the `setkeyswitch on` command.

- Hung

A domain can be hung because

- The domain heartbeat stops.
- The domain does not respond to interrupts.

In such cases, the system controller automatically performs an XIR and reboots the domain, provided that the `hang-policy` parameter of the `setupdomain` command is set to `reset`.

However, if the domain hangs and the `hang-policy` parameter of the `setupdomain` command is set to `notify`, the system controller reports that the domain is hung but does not automatically recover the domain. In this case you must recover the hung domain as explained in the following procedure.

A domain is considered to be hard hung when the Solaris operating environment and OBP are not responding at the domain console.

## ▼ To Recover From a Hung Domain

---

**Note** – This procedure assumes that the system controller is functioning and that the `hang-policy` parameter of the `setupdomain` command is set to `notify`.

---

### 1. Determine the status for the domain as reported by the system controller.

Type *one* of the following system controller commands:

- `showplatform -p status` (platform shell)
- `showdomain -p status` (domain shell)

These commands provide the same type of information in the same format. If the output in the `Domain Status` field displays `Not Responding`, the system controller has determined that the domain is hung.

### 2. Reset the domain:

---

**Note** – A domain cannot be reset while the domain keyswitch is in the secure position.

---

#### a. Access the domain shell.

See “System Controller Navigation” on page 36.

#### b. Reset the domain by typing the `reset` command.

In order for the system controller to perform this operation, you must confirm it. For a complete definition of this command, refer to the `reset` command in the *Sun Fire 6800/4810/4800/3800 System Controller Command Reference Manual*.

The manner in which the domain recovery occurs is determined by the `OBP.error-reset-recovery` parameter settings in the `setupdomain` command. For details on the domain parameters, refer to the `setupdomain` command in the *Sun Fire 6800/4810/4800/3800 System Controller Command Reference Manual*.

---

## Board and Component Failures

The auto-diagnosis engine can diagnose and identify certain types of components, such as CPU/Memory boards and I/O assemblies, associated with hardware failures. However, other components, such as the System Controller boards, Repeater boards, power supplies, and fan trays are not handled by the auto-diagnosis engine.



# Handling Component Failures

This section describes what to do when the following components fail:

- CPU/Memory boards
- I/O assemblies
- Repeater boards
- System Controller boards
- Power supplies
- Fan trays

For additional information about these components, refer to the *Sun Fire 6800/4810/4800/3800 Systems Service Manual*.

## ▼ To Handle Failed Components

### 1. Capture and collect system information for troubleshooting purposes.

- CPU/Memory board failure – Collect auto-diagnosis event messages from the sources described in TABLE 9-1.
- I/O assembly failure – Collect auto-diagnosis event messages from the sources described in TABLE 9-1.
- Repeater board failure– Collect troubleshooting data as described in TABLE 9-1 and TABLE 9-2 and temporarily adjust available domain resources. See “Recovering from a Repeater Board Failure” on page 114.
- System controller board failure:
  - In a redundant SC configuration, wait for automatic SC failover to occur. After the failover, review the `showlogs` command output, the platform `loghost`, if configured, and platform messages for the working SC to obtain information on the failure condition.
  - If you have one SC and it fails, collect data from the platform and domain console or `loghosts`, and output from the `showlogs` and `showerrorbuffer` commands.
- Power supply failure – If you have do not have a redundant power supply, collect troubleshooting data as described in TABLE 9-1 and TABLE 9-2.
- Fan tray failure – If you have do not have a redundant fan tray, collect troubleshooting data as described in TABLE 9-1 and TABLE 9-2.

### 2. Contact your service provider for further assistance.

Your service provider will review the troubleshooting data that you gathered and will initiate the appropriate service action.

# Recovering from a Repeater Board Failure

If a Repeater board failure occurs, you can use remaining domain resources until the failed board can be replaced. You must set the partition mode parameter (of the `setupplatform` command) to dual partition mode and adjust the domain resources to use available domains, as indicated in TABLE 9-3.

**TABLE 9-3** Adjusting Domain Resources When a Repeater Board Fails

Midframe Server	RP0 Failure	RP1 Failure	RP2 Failure	RP3 Failure	Use Available Domains
6800	X				C and D
		X			C and D
			X		A and B
				X	A and B
4810/4800/3800	X	Not applicable		Not applicable	C
		Not applicable	X	Not applicable	A

If you are running host-licensed software on a domain affected by a Repeater board failure, you can also swap the HostID/MAC address of the affected domain with that of an available domain. You can then use the hardware of the available domain to run the host-licensed software without encountering license restrictions. Use the `HostID/MAC Address Swap` parameter in the `setupplatform` command to swap the HostID/MAC address between a pair of domains. For details, see “Swapping Domain HostID/MAC Addresses” on page 79.

## Capacity on Demand

---

Sun Fire 6800/4810/4800/3800 systems are configured with processors (CPUs) on CPU/Memory boards. These boards are purchased as part of your initial system configuration or as add-on components. The right to use the CPUs on these boards is included with the initial purchase price.

The Capacity on Demand (COD) option provides additional processing resources that you pay for when you use them. Through the COD option, you purchase and install unlicensed COD CPU/Memory boards in your system. Each COD CPU/Memory board contains four CPUs, which are considered as available processing resources. However, you do not have the right to use these COD CPUs until you also purchase the right-to-use (RTU) licenses for them. The purchase of a COD RTU license entitles you to receive a license key, which enables the appropriate number of COD processors.

You use COD commands included with the Sun Fire 6800/4810/4800/3800 systems firmware to allocate, activate, and monitor your COD resources.

This chapter covers the following topics:

- “COD Overview” on page 115
- “Getting Started with COD” on page 118
- “Managing COD RTU Licenses” on page 119
- “Activating COD Resources” on page 123
- “Monitoring COD Resources” on page 125

---

## COD Overview

The COD option provides additional CPU resources on COD CPU/Memory boards that are installed in your system. Although your midframe system comes configured with a minimum number of standard (active) CPU/Memory boards, your system

can have a mix of both standard and COD CPU/Memory boards installed, up to the maximum capacity allowed for the system. At least one active CPU is required for each domain in the system.

If you want the COD option, and your system is not currently configured with COD CPU/Memory boards, contact your Sun sales representative or authorized Sun reseller to purchase COD CPU/Memory boards. Your salesperson will work with your service provider to install the COD CPU/Memory boards in your system.

The following sections describe the main elements of the COD option:

- COD Licensing Process
- COD RTU License Allocation
- Instant Access CPUs
- Resource Monitoring

## COD Licensing Process

COD RTU licenses are required to enable COD CPU resources. COD licensing involves the following tasks:

1. Obtaining COD RTU License Certificates and COD RTU license keys for COD resources to be enabled

You can purchase COD RTU licenses at any time from your Sun sales representative or reseller. You can then obtain a license key (for the COD resources purchased) from the Sun License Center.

2. Entering the COD RTU license keys in the COD license database

The COD license database stores the license keys for the COD resources that you enable. You record this license information in the COD license database by using the `addcodlicense` command. The COD RTU licenses are considered as floating licenses and can be used for any COD CPU resource installed in the system.

For details on completing the licensing tasks, see “To Obtain and Add a COD RTU License Key to the COD License Database” on page 119.

## COD RTU License Allocation

With the COD option, your system is configured to have a certain number of COD CPUs available, as determined by the number of COD CPU/Memory boards and COD RTU licenses that you purchase. The COD RTU licenses that you obtain are handled as a pool of available licenses.

When you activate a domain containing a COD CPU/Memory board or when a COD CPU/Memory board is connected to a domain through a dynamic reconfiguration (DR) operation, the following occurs automatically:

- The system checks the current COD RTU licenses installed.
- The system obtains a COD RTU license (from the license pool) for each CPU on the COD board.

The COD RTU licenses are allocated to the CPUs on a “first come, first serve” basis. However, you can allocate a specific quantity of RTU licenses to a particular domain by using the `setupplatform` command. For details, see “To Enable Instant Access CPUs and Reserve Domain RTU Licenses” on page 124.

If there is an insufficient number of COD RTU licenses and a license cannot be allocated to a COD CPU, the COD CPU is not configured into the domain and is considered as unlicensed. The COD CPU is also assigned a COD-disabled status. If a COD CPU/Memory board does not have sufficient COD RTU licenses for its COD CPUs, the system will fail the COD CPU/Memory board during the `setkeyswitch` operation. For additional details and examples, see “COD-Disabled CPUs” on page 129.

When you remove a COD CPU/Memory board from a domain through a DR operation or when a domain containing a COD CPU/Memory board is shut down normally, the COD RTU licenses for the CPUs on those boards are released and added to the pool of available licenses.

You can use the `showcodusage` command to review COD usage and COD RTU license states. For details on `showcodusage` and other commands that provide COD information, see “Monitoring COD Resources” on page 125.

---

**Note** – You can move COD boards between Sun Fire systems (Sun Fire 15K, 12K, 6800, 4810, 4800, and 3800 servers), but the associated license keys are tied to the original platform for which they were purchased and are not transferable.

---

## Instant Access CPUs

If you require COD CPU resources before you complete the COD RTU license purchasing process, you can temporarily enable a limited number of resources called *instant access CPUs* (also referred to as *headroom*). These instant access CPUs are available as long as there are unlicensed COD CPUs in the system. The maximum number of instant access resources available on Sun Fire midframe systems is four CPUs.

Instant access CPUs are disabled by default on Sun Fire midframe systems. If you want to use these resources, you activate them by using the `setupplatform` command. Warning messages are logged on the platform console, informing you that the instant access CPUs (headroom) used exceeds the number of COD licenses available. Once you obtain and add the COD RTU license keys for instant access CPUs to the COD license database, these warning messages will stop.

For details on activating instant access CPUs, see, “To Enable Instant Access CPUs and Reserve Domain RTU Licenses” on page 124.

## Resource Monitoring

Information about COD events, such as the activation of instant access CPUs (headroom) or license violations, are recorded in platform console log messages and also in the output for the `showlogs` command.

Other commands, such as the `showcodusage` command, provide information on COD components and COD configuration. For details on obtaining COD information and status, see “Monitoring COD Resources” on page 125.

---

## Getting Started with COD

Before you can use COD on Sun Fire 6800/4810/4800/3800 systems, you must complete certain prerequisites. These tasks include the following:

- Installing the same version of the Sun Fire 6800/4810/4800/3800 firmware (starting with release 5.14.0) on both the main and spare system controller (SC).

For details on upgrading the firmware, refer to the `Install.info` file that accompanies the firmware release.

---

**Note** – Sun Fire 6800/4810/4800/3800 systems firmware before version 5.14.0 will not recognize COD CPU/Memory boards.

---

- Contacting your Sun sales representative or reseller and doing the following:
  - Signing the COD contract addendum, in addition to the standard purchasing agreement contract for your Sun Fire 6800/4810/4800/3800 system.
  - Purchasing COD CPU/Memory boards and arranging for their installation.
- Performing the COD RTU licensing process as described in “To Obtain and Add a COD RTU License Key to the COD License Database” on page 119.

---

# Managing COD RTU Licenses

COD RTU license management involves the acquisition and addition of COD RTU licenses keys to the COD license database. You can also remove COD RTU licenses from the license database if needed.

Be aware that COD license key information is always associated with a particular system. You may encounter invalid COD RTU licenses if you do any of the following:

- Move a System Controller board from one system to another.
- Copy the platform and domain configuration files (generated by the `dumpconfig` command) from one system to another, and restore the configuration files on the second system by running the `restoreconfig` command.

Any COD RTU license keys for the original system now reside on the second system, but the license keys remain associated with the original system. These license keys will be considered invalid. To prevent invalid COD RTU license keys, run the `setdefaults` command on the first system (to set the default system configuration values), before you remove a System Controller board or before you use the `dumpconfig` command to save the platform and domain configurations. If you do not run the `setdefaults` command on the first system, you can run the command on the second system after you insert the System Controller board.

## ▼ To Obtain and Add a COD RTU License Key to the COD License Database

1. **Contact your Sun sales representative or authorized Sun reseller to purchase a COD RTU license for each COD CPU to be enabled.**

Sun will send you a COD RTU License Certificate for each CPU license that you purchase. The COD RTU license sticker on the License Certificate contains a right-to-use serial number used to obtain a COD RTU license key.

2. **Contact the Sun License Center and provide the following information to obtain a COD RTU license key:**
  - The COD RTU serial number from the license sticker on the COD RTU License Certificate

- Chassis HostID of the system

To obtain the Chassis HostID of your system, run the `showplatform -p cod` command.

For instructions on contacting the Sun License Center, refer to the COD RTU License Certificate that you received or check the Sun License Center Web site:

<http://www.sun.com/licensing>

The Sun License Center will send you an email message containing the RTU license key for the COD resources that you purchased.

3. **Add the license key to the COD license database by using the `addcodlicense` command. From the platform shell on the main SC, type:**

```
shostname:SC> addcodlicense license-signature
```

where:

*license-signature* is the complete COD RTU license key assigned by the Sun License Center. You can copy the license key string that you receive from the Sun License Center.

4. **Verify that the specified license key was added to the COD license database by running the `showcodlicense -r` command (see “To Review COD License Information” on page 121).**

The COD RTU license key that you added should be listed in the `showcodlicense` output.

## ▼ To Delete a COD License Key From the COD License Database

1. **From the platform shell on the main SC, type:**

```
shostname:SC> deletecodlicense license-signature
```

where:

*license-signature* is the complete COD RTU license key to be removed from the COD license database.

The system verifies that the license removal will not cause a COD RTU license violation, which occurs when there is an insufficient number of COD licenses for the number of COD resources in use. If the deletion will cause a COD RTU license violation, the SC will not delete the license key.



---

**Note** – You can force the removal of the license key by specifying the `-f` option with the `deletecodlicense` command. However, be aware that the license key removal could cause a license violation or an overcommitment of RTU license reservations. An RTU license overcommitment occurs when there are more RTU domain reservations than RTU licenses installed in the system. For additional details, refer to the `deletecodlicense` command description in the *Sun Fire 6800/4810/4800/3800 System Controller Command Reference Manual*.

---

2. Verify that the license key was deleted from the COD license database by running the `showcodlicense -r` command, described in the next procedure.

The deleted license key should not be listed in the `showcodlicense` output.

## ▼ To Review COD License Information

- From the platform shell on the main SC, do one of the following to display COD license information:
  - To view license data in an interpreted format, type:

```
schostname:SC> showcodlicense
```

For example:

```
schostname:SC> showcodlicense
Description  Ver    Expiration  Count  Status
-----
PROC         01      NONE        8     GOOD
```

TABLE 10-1 describes the COD license information in the `showcodlicense` output.

**TABLE 10-1** COD License Information

Item	Description
Description	Type of resource (processor).
Ver	Version number of the license.

**TABLE 10-1** COD License Information (*Continued*)

Item	Description
Expiration	None. Not supported (no expiration date).
Count	Number of RTU licenses granted for the given resource.
Status	One of the following states: <ul style="list-style-type: none"><li>• GOOD – Indicates the resource license is valid.</li><li>• EXPIRED – Indicates the resource license is no longer valid.</li></ul>

- To view license data in raw license key format, type:

```
schostname:SC> showcodlicense -r
```

The license key signatures for COD resources are displayed. For example:

```
schostname:SC> showcodlicense -r
01:80d8a9ed:45135285:0201000000:8:00000000:0000000000000000000000
```

---

**Note** – The COD RTU license key listed above is provided as an example and is not a valid license key.

---

For details on the `showcodlicense` command, refer to the command description in the *Sun Fire 6800/4810/4800/3800 System Controller Command Reference Manual*.

---

# Activating COD Resources

To activate instant access CPUs and allocate COD RTU licenses to specific domains, use the `setupplatform` command. TABLE 10-1 describes the various `setupplatform` command options that can be used to configure COD resources

**TABLE 10-2** `setupplatform` Command Options for COD Resource Configuration

Command Option	Description
<code>setupplatform -p cod</code>	Enables or disables instant access CPUs (headroom) and allocates domain COD RTU licenses.
<code>setupplatform -p cod headroom-number</code>	Enables or disables instant access CPUs (headroom).
<code>setupplatform -p cod -d domainid RTU-number</code>	Reserves a specific quantity of COD RTU licenses for a particular domain.

For details on the `setupplatform` command options, refer to the command description in the *Sun Fire 6800/4810/4800/3800 System Controller Command Reference Manual*.

## ▼ To Enable Instant Access CPUs and Reserve Domain RTU Licenses

### 1. From the platform shell on the main SC, type:

```
schostrname:SC> setupplatform -p cod
```

You are prompted to enter the COD parameters (headroom quantity and domain RTU information). For example:

```
schostrname:SC> setupplatform -p cod  
COD  
---  
PROC RTUs installed: 8  
PROC Headroom Quantity (0 to disable, 4 MAX) [0]:  
PROC RTUs reserved for domain A (6 MAX) [0]: 2  
PROC RTUs reserved for domain B (6 MAX) [2]:  
PROC RTUs reserved for domain C (4 MAX) [0]:  
PROC RTUs reserved for domain D (4 MAX) [0]:
```

Note the following about the prompts displayed:

- Instant access CPU (headroom) quantity

The text in parentheses indicates the maximum number of instant access CPUs (headroom) allowed. The value inside the brackets is the number of instant access CPUs currently configured.

To disable the instant access CPU (headroom) feature, type 0. You can disable the headroom quantity only when there are no instant access CPUs in use.

- Domain reservations

The text in parentheses indicates the maximum number of RTU licenses that can be reserved for the domain. The value inside the brackets is the number of RTU licenses currently allocated to the domain.

## 2. Verify the COD resource configuration with the `showplatform` command:

```
shostname:SC> showplatform -p cod
```

For example:

```
shostname:SC> showplatform -p cod  
Chassis HostID: 80d88800  
PROC RTUs installed: 8  
PROC Headroom Quantity: 0  
PROC RTUs reserved for domain A: 2  
PROC RTUs reserved for domain B: 2  
PROC RTUs reserved for domain C: 0  
PROC RTUs reserved for domain D: 0
```

---

# Monitoring COD Resources

This section describes various ways to track COD resource use and obtain COD information.

## COD CPU/Memory Boards

You can determine which CPU/Memory boards in your system are COD boards by using the `showboards` command.

## ▼ To Identify COD CPU/Memory Boards

- From the platform shell on the main SC, type:

```
schostname:SC> showboards
```

COD CPU/Memory boards are identified as COD CPU boards. For example:

```
schostname:SC> showboards
```

Slot	Pwr	Component	Type	State	Status	Domain
----	---	-----	-----	-----	-----	-----
SSC0	On	System Controller		Main	Passed	-
SSC1	On	System Controller		Spare	-	-
ID0	On	Sun Fire 6800 Centerplane		-	OK	-
PS0	Off	A152 Power Supply		-	OK	-
PS1	On	A152 Power Supply		-	OK	-
PS2	Off	A152 Power Supply		-	OK	-
PS3	Off	A152 Power Supply		-	OK	-
PS4	Off	No Grid Power		-	-	-
PS5	On	A152 Power Supply		-	OK	-
FT0	On	Fan Tray		Low Speed	OK	-
FT1	On	Fan Tray		Low Speed	OK	-
FT2	On	Fan Tray		Low Speed	OK	-
FT3	On	Fan Tray		Low Speed	OK	-
RP0	On	Repeater Board		-	OK	-
RP1	On	Repeater Board		-	OK	-
RP2	On	Repeater Board		-	OK	-
RP3	On	Repeater Board		-	OK	-
SB0	On	COD CPU Board		Available	Failed	Isolated
SB2	Off	COD CPU Board		Available	Not tested	Isolated
/N0/SB3	On	COD CPU Board		Active	Degraded	A
/N0/IB6	On	PCI I/O Board		Active	Passed	A
IB7	Off	PCI I/O Board		Available	Not tested	Isolated
/N0/IB8	On	PCI I/O Board		Active	Passed	A
IB9	Off	PCI I/O Board		Available	Not tested	Isolated

## COD Resource Usage

To obtain information on how COD resources are used in your system, use the `showcodusage` command.

## ▼ To View COD Usage by Resource

- From the platform shell on the main SC, type:

```
schostname:SC> showcodusage -p resource
```

For example:

```
schostname:SC> showcodusage -p resource
Resource      In Use  Installed  Licensed  Status
-----
PROC          0        4         8  OK: 8 available Headroom: 2
```

TABLE 10-3 describes the COD resource information displayed by the `showcodusage` command.

**TABLE 10-3** `showcodusage` Resource Information

Item	Description
Resource	The COD resource (processor)
In Use	The number of COD CPUs currently used in the system
Installed	The number of COD CPUs installed in the system
Licensed	The number of COD RTU licenses installed
Status	One of the following COD states: <ul style="list-style-type: none"><li>• OK – Indicates there are sufficient licenses for the COD CPUs in use and specifies the number of remaining COD resources available and the number of any instant access CPUs (headroom) available</li><li>• HEADROOM – The number of instant access CPUs in use.</li><li>• VIOLATION – Indicates a license violation exists. Specifies the number of COD CPUs in use that exceeds the number of COD RTU licenses available. This situation can occur when you force the deletion of a COD license key from the COD license database, but the COD CPU associated with that license key is still in use.</li></ul>

## ▼ To View COD Usage by Domain

- From the platform shell on the main SC, type:

```
schostname:SC> showcodusage -p domains -v
```

The output includes the status of CPUs for all domains. For example:

```
schostname:SC> showcodusage -p domains -v
Domain/Resource  In Use  Installed  Reserved  Status
-----
A - PROC        0       0          4
B - PROC        0       0          4
C - PROC        0       0          0
D - PROC        0       0          0
Unused - PROC   0       4          0
  SB4 - PROC    0       4
  SB4/P0
  SB4/P1
  SB4/P2
  SB4/P3
                                     Unused
                                     Unused
                                     Unused
                                     Unused
```

TABLE 10-4 describes the COD resource information displayed by domain.

**TABLE 10-4** showcodusage Domain Information

Item	Description
Domain/Resource	The COD resource (processor) for each domain. An unused processor is a COD CPU that has not yet been assigned to a domain.
In Use	The number of COD CPUs currently used in the domain.
Installed	The number of COD CPUs installed in the domain.
Reserved	The number of COD RTU licenses allocated to the domain.
Status	One of the following CPU states: <ul style="list-style-type: none"> <li>• Licensed – The COD CPU has a COD RTU license.</li> <li>• Unused – The COD CPU is not in use.</li> <li>• Unlicensed – The COD CPU could not obtain a COD RTU license and is not in use.</li> </ul>



## ▼ To View COD Usage by Resource and Domain

- From the platform shell on the main SC, type:

```
schostname:SC> showcodusage -v
```

The information displayed contains usage information by both resource and domain. For example:

```
schostname:SC> showcodusage -v
Resource          In Use  Installed  Licensed  Status
-----
PROC              0         4         8  OK: 8 available Headroom: 2
Domain/Resource  In Use  Installed  Reserved  Status
-----
A - PROC         0         0         4
B - PROC         0         0         4
C - PROC         0         0         0
D - PROC         0         0         0
Unused - PROC    0         4         0
    SB4 - PROC    0         4
    SB4/P0                               Unused
    SB4/P1                               Unused
    SB4/P2                               Unused
    SB4/P3                               Unused
```

## COD-Disabled CPUs

When you activate a domain that uses COD CPU/Memory boards, any COD CPUs that did not obtain a COD RTU license are disabled by the SC. You can determine which COD CPUs were disabled by reviewing the following items:

- The domain console log for a `setkeyswitch on` operation

Any COD CPUs that did not obtain a COD RTU license are identified as Cod-dis (abbreviation for COD-disabled). If all the COD CPUs on a COD/Memory board are disabled, the `setkeyswitch on` operation will also fail the COD CPU/Memory board, as CODE EXAMPLE 10-1 shows.

#### CODE EXAMPLE 10-1 Domain Console Log Output Containing Disabled COD CPUs

```
schostname:A> setkeyswitch on
{/N0/SB3/P0} Passed
{/N0/SB3/P1} Passed
{/N0/SB3/P2} Passed
{/N0/SB3/P3} Passed
{/N0/SB3/P0} Cod-dis
{/N0/SB3/P1} Cod-dis
{/N0/SB3/P2} Cod-dis
{/N0/SB3/P3} Cod-dis
.
.
.
Entering OBP ...
Jun 27 19:04:38 qads7-sc0 Domain-A.SC: Excluded unusable, unlicensed, failed
or disabled board: /N0/SB3
```

- The showcomponent command output

CODE EXAMPLE 10-2 shows the type of status information displayed for each component in the system. If a COD RTU license cannot be allocated to a COD CPU, the COD CPU status is listed as Cod-dis (abbreviation for COD-disabled).

#### CODE EXAMPLE 10-2 showcomponent Command Output – Disabled COD CPUs

```
schostname:SC> showcomponent
Component          Status    Pending POST  Description
-----
.
.
.
/N0/SB3/P0         Cod-dis  -          untest UltraSPARC-III, 900MHz, 8M ECache
/N0/SB3/P1         Cod-dis  -          untest UltraSPARC-III, 900MHz, 8M ECache
/N0/SB3/P2         Cod-dis  -          untest UltraSPARC-III, 900MHz, 8M ECache
/N0/SB3/P3         Cod-dis  -          untest UltraSPARC-III, 900MHz, 8M ECache
/N0/SB3/P0/B0/L0   Cod-dis  -          untest 512M DRAM
/N0/SB3/P0/B0/L2   Cod-dis  -          untest 512M DRAM
/N0/SB3/P0/B1/L1   Cod-dis  -          untest 256M DRAM
/N0/SB3/P0/B1/L3   Cod-dis  -          untest 256M DRAM
/N0/SB3/P1/B0/L0   Cod-dis  -          untest 512M DRAM
/N0/SB3/P1/B0/L2   Cod-dis  -          untest 512M DRAM
/N0/SB3/P1/B1/L1   Cod-dis  -          untest 256M DRAM
/N0/SB3/P1/B1/L3   Cod-dis  -          untest 256M DRAM
/N0/SB3/P2/B0/L0   Cod-dis  -          untest 256M DRAM
```

```

.
.
.

```

## Other COD Information

TABLE 10-5 summarizes the COD configuration and event information that you can obtain through other system controller commands. For further details on these commands, refer to their descriptions in the *Sun Fire 6800/4810/4800/3800 System Controller Command Reference Manual*.

**TABLE 10-5** Obtaining COD Configuration and Event Information

Command	Description
showdomain	Displays the status of COD RTU license reservations for the domain.
showlogs	Displays information about COD events, such as license violations or headroom activation, that are logged on the platform console.
showplatform -p cod	Displays the current COD resource configuration and related information: <ul style="list-style-type: none"> <li>• Number of instant access CPUs (headroom) in use</li> <li>• Domain RTU license reservations</li> <li>• Chassis HostID</li> </ul>



## Testing System Boards

---

The CPU/Memory board and I/O assembly are the only boards with directed tests.

This chapter contains the following topics on testing:

- “Testing a CPU/Memory Board” on page 133
  - “Testing an I/O Assembly” on page 134
- 

### Testing a CPU/Memory Board

Use the `testboard` system controller command to test the CPU/Memory board name you specify on the command line. This command is available in both the platform and domain shells.

Before you test a CPU/Memory board, note the following board requirements:

- Domain cannot be active.
- Board power must be on.
- Repeater boards used to run the domain must also be powered on. See “Repeater Boards” on page 20 for the Repeater boards needed to run the domain.
- Board *must not* be part of an active domain. The board should be in the Assigned state (if running from a domain shell). Use `showboards` to display the board state.

## ▼ To Test a CPU/Memory Board

To test a CPU/Memory board from a domain A shell, type the `testboard` command:

```
schostname:A> testboard sbx
```

where `sbx` is `sb0` through `sb5` (CPU/Memory boards).

For complete command syntax and examples, refer to the `testboard` command in the *Sun Fire 6800/4810/4800/3800 System Controller Command Reference Manual*.

---

## Testing an I/O Assembly

You cannot test an I/O assembly with the `testboard` command. Testing a board with `testboard` requires CPUs to test a board. No CPUs are present on an I/O assembly.

To test an I/O assembly with POST, you must construct a spare domain with the unit under test and a board with working CPUs. The spare domain must meet these requirements:

- Cannot be active.
- Contains at least one CPU/Memory board.

If your spare domain *does not* meet these requirements, the procedure, “To Test an I/O Assembly” on page 134, explains how to:

- Halt the Solaris operating environment in the spare domain
- Assign a CPU/Memory board to the spare domain

## ▼ To Test an I/O Assembly

1. **Verify that you have a spare domain. Type the `showplatform` command from the platform shell.**

If you have a spare domain, go to Step 3. If you do not have a spare domain, continue with Step 2.

2. **Complete these steps if you do not have a spare domain.**

- If you have a system with one partition and one domain, add a second domain to the partition.  
See “Creating and Starting Domains” on page 57. Go to Step 3.
  - If you have a system with one partition and the partition contains two domains, create a spare domain in the second partition:
    - a. Shut down all running domains in the chassis.
    - b. Change the partition mode to dual by running the `setupplatform` command.  
See the `setupplatform` command in the *Sun Fire 6800/4810/4800/3800 System Controller Command Reference Manual*.
    - c. Create a spare domain in the second partition.  
See “Creating and Starting Domains” on page 57.
- 3. Enter the domain shell (a through d) of a spare domain.**  
See “System Controller Navigation” on page 38.
- 4. If the spare domain is running the Solaris operating environment (#, % prompts displayed), halt the Solaris operating environment in the domain.**

```
root# init 0  
ok
```

- 5. Verify if the spare domain contains at least one CPU/Memory board by typing the `showboards` command.**  
If you need to add a CPU/Memory board to the spare domain, go to Step 6. Otherwise, go to Step 7.
- 6. Assign a CPU/Memory board with a minimum of one CPU to the spare domain by using the `addboard sbx` command.**  
This example shows assigning a CPU/Memory board to domain B (in the domain B shell)

```
schostname:B> addboard sbx
```

where `sbx` is `sb0` through `sb5`.

**7. Assign the I/O assembly you want to test on the spare domain by using the `addboard` command.**

This example shows assigning an I/O assembly to domain B (in the domain B shell).

```
schostname:B> addboard ibx
```

where *x* is 6, 7, 8, or 9.

**8. Run the `setupdomain` command to configure parameter settings, such as `diag-level` and `verbosity-level`.**

This command is an interactive command. For command syntax and a code example, refer to the `setupdomain` command in the *Sun Fire 6800/4810/4800/3800 System Controller Command Reference Manual*.

**9. Verify that the date and time are set correctly by using the `showdate` command.**

If the date and time are not set correctly, reset the date and time with `setdate`.

For complete `setdate` command syntax and examples, refer to the `setdate` command in the *Sun Fire 6800/4810/4800/3800 System Controller Command Reference Manual*.

**10. Turn the keyswitch on in the spare domain.**

This action runs POST in the domain.

```
schostname:B> setkeyswitch on  
.  
.  
ok
```

The I/O assembly is tested. However, the cards in the I/O assembly are not tested. To test the cards in the I/O assembly, you must boot the Solaris operating environment.

■ If the `setkeyswitch` operation succeeds:

You will see the `ok` prompt, which means that it is likely that the I/O assembly is working. However, it is possible that some components have been disabled. You can also view the output of the `showboards` command to view the status of the boards after testing.

■ If POST finds errors:

Error messages are displayed of the test that failed. Check the POST output for error messages. If the `setkeyswitch` operation fails, an error messages is displayed telling you why the operation failed. You will obtain the domain shell.



**11. Obtain the domain shell from the domain console.**

See “To Obtain the Domain Shell From the Domain Console” on page 37.

**12. Turn the keyswitch to standby.**

```
schostname:B> setkeyswitch standby
```

**13. Delete the I/O assembly in the spare domain by using the `deleteboard` command:**

```
schostname:B> deleteboard ibx
```

where  $x$  is the board number you typed in Step 7.

**14. Exit the spare domain shell and return to the domain you were in before entering the spare domain.**

See “System Controller Navigation” on page 38.



## Removing and Replacing Boards

---

The *Sun Fire 6800/4810/4800/3800 Systems Service Manual* provides instructions for physically removing and replacing boards. However, board removal and replacement also involves firmware steps that must be performed before a board is removed from the system and after a new board replaces the old one. This chapter discusses the firmware steps involved with the removal and replacement of the following boards, cards, and assemblies:

- “CPU/Memory Boards and I/O Assemblies” on page 140
- “CompactPCI and PCI Cards” on page 145
- “Repeater Board” on page 147
- “System Controller Board” on page 148
- “ID Board and Centerplane” on page 151

This chapter also discusses how to unassign a board from a domain and disable the board.

To troubleshoot board and component failures, see “Board and Component Failures” on page 112. To remove and install the FrameManager, ID board, power supplies, and fan trays, refer to the *Sun Fire 6800/4810/4800/3800 Systems Service Manual*.

Before you begin, have the following books available:

- *Sun Hardware Platform Guide*
- *Sun Fire 6800, 4810, 4800, and 3800 Systems Dynamic Reconfiguration User Guide*
- *Sun Fire 6800/4810/4800/3800 Systems Service Manual*

You will need these books for Solaris operating environment steps and the hardware removal and installation steps. The *Sun Hardware Platform Guide* and the *Sun Fire 6800, 4810, 4800, and 3800 Systems Dynamic Reconfiguration User Guide* are available with your Solaris operating environment release.

---

# CPU/Memory Boards and I/O Assemblies

The following procedures describe the software steps involved with

- Removing and replacing a system board (CPU/Memory board or I/O assembly)
- Unassigning a system board from a domain or disable a system board
- Hot-swapping a CPU/Memory board or an I/O assembly

Refer to the *Sun Fire 6800, 4810, 4800, and 3800 Systems Dynamic Reconfiguration User Guide* for details on

- Moving a CPU/Memory board or an I/O assembly between domains.
- Disconnecting a CPU/Memory board or I/O assembly. (Leave it in the system until a replacement board is available.)

## ▼ To Remove and Replace a System Board

This procedure does *not* involve dynamic reconfiguration commands.

**1. Access the domain that contains the board or assembly to be removed by performing the following:**

**a. Connect to the domain console.**

For details on accessing the domain console, see “Obtaining a Domain Shell or Console” on page 36.

**b. Halt the Solaris operating environment from the domain console as superuser.**

```
root# init 0
ok
```

**c. From the `ok` prompt, obtain the domain shell prompt.**

- i. Press and hold the CTRL key while pressing the ] key to get to the `telnet>` prompt.**

ii. At the `telnet>` prompt, type `send break`:


```
ok CTRL ]
telnet> send break
schostrname:A>
```

The domain shell prompt is displayed.

2. Turn the domain keyswitch to the standby position with the `setkeyswitch standby` command and then power off the board or assembly.

```
schostrname:A> setkeyswitch standby
schostrname:A> poweroff board_name
```

where `board_name` is `sb0 - sb5` or `ib6 - ib9`.

Verify the green power LED is off (  ).

3. Remove the board or assembly and replace with a new board or assembly.

Refer to the *Sun Fire 6800/4810/4800/3800 Systems Service Manual*.

4. Power on the board or assembly.

```
schostrname:SC> poweron board_name
```

where `board_name` is `sb0 - sb5` or `ib6 - ib9`.

5. Check the version of the firmware that is installed on the board by using the `showboards` command:

```
schostrname:SC> showboards -p version
```

The firmware version of the new replacement board must be compatible with the system controller firmware.

6. If the firmware version of the replacement board or assembly is not compatible with the SC firmware, update the firmware on the board.

- a. Use the `flashupdate -c` command to update the firmware from another board in the current domain.

```
schostname:SC> flashupdate -c source_board destination_board
```

For details on the `flashupdate` command syntax, refer to the command description in the *Sun Fire 6800/4810/4800/3800 System Controller Command Reference Manual*.

- b. After you run the `flashupdate` command to update the board firmware to a compatible firmware version, but the board is in a Failed state, as indicated by `showboards` output, power off the board to clear the Failed state.
7. Before you bring an I/O assembly back to the Solaris operating environment, test the I/O assembly in a spare domain that contains at least one CPU/Memory board with a minimum of one CPU.

- a. Enter a spare domain.

- b. Test the I/O assembly.

See “Testing an I/O Assembly” on page 134.

8. Turn the domain keyswitch to the on position with the `setkeyswitch on` command.

```
schostname:A> setkeyswitch on
```

This command turns the domain on and boots the Solaris operating environment if the OpenBoot PROM parameters are set as follows:

- System controller `setupdomain OBP.auto-boot?` parameter is set to true.
- OpenBoot PROM `boot-device` parameter is set to the proper boot device.

If the Solaris operating environment did not boot automatically, continue with Step 9. If the appropriate OpenBoot PROM parameters are not set up to take you to the `login:` prompt, you will see the `ok` prompt. For more information on the OpenBoot PROM parameters, refer to the *Sun Hardware Platform Guide*.

9. At the `ok` prompt, type the `boot` command:

```
ok boot
```

After the Solaris operating environment is booted, the `login:` prompt is displayed.

## ▼ To Unassign a Board From a Domain or Disable a System Board

If a CPU/Memory board or I/O assembly fails, perform one of the following tasks:

- Unassign the board from the domain. See “To Unassign a Board From a Domain” on page 78.
- Disable the component location status for the board. For details, refer to the `set1s` command in the *Sun Fire 6800/4810/4800/3800 System Controller Command Reference Manual*. Disabling the component location for the board prevents the board from being configured into the domain when the domain is rebooted.

## ▼ To Hot-Swap a CPU/Memory Board Using DR

1. **Use DR to unconfigure and disconnect the CPU/Memory board out of the domain.**

Refer to the *Sun Fire 6800, 4810, 4800, and 3800 Systems Dynamic Reconfiguration User Guide*.

2. **Verify the state of the LEDs on the board.**

Refer to the CPU/Memory board chapter of the *Sun Fire 6800/4810/4800/3800 Systems Service Manual*.

3. **Remove and replace the board.**

Refer to the CPU/Memory board chapter of the *Sun Fire 6800/4810/4800/3800 Systems Service Manual*.

4. **Power on the board:**

```
schostname:SC> poweron board_name
```

where `board_name` is `sb0 – sb5` or `ib6 – ib9`.

5. **Check the version of the firmware that is installed on the board by using the `showboards` command:**

```
schostname:SC> showboards -p version
```

The firmware version of the new replacement board must be compatible with the system controller firmware.

6. If the firmware version of the replacement board or assembly is not compatible with the SC firmware, use the `flashupdate -c` command to update the firmware from another board in the current domain.

```
schostname:SC> flashupdate -c source_board destination_board
```

For a description of command syntax, refer to the `flashupdate` command in the *Sun Fire 6800/4810/4800/3800 System Controller Command Reference Manual*.

7. Use DR to connect and configure the board back into the domain.

Refer to the *Sun Fire 6800, 4810, 4800, and 3800 Systems Dynamic Reconfiguration User Guide*.

8. Verify the state of the LEDs on the board.

Refer to the CPU/Memory board chapter of the *Sun Fire 6800/4810/4800/3800 Systems Service Manual*.

## ▼ To Hot-Swap an I/O Assembly Using DR

The following procedure describes how to hot-swap an I/O assembly and test it in a spare domain that is not running the Solaris operating environment.

1. Use DR to unconfigure and disconnect the I/O assembly out of the domain.

Refer to the *Sun Fire 6800, 4810, 4800, and 3800 Systems Dynamic Reconfiguration User Guide*

2. Verify the state of the LEDs on the assembly.

Refer to the I/O assembly chapter of the *Sun Fire 6800/4810/4800/3800 Systems Service Manual*.

3. Remove and replace the assembly.

Refer to the I/O assembly chapter of the *Sun Fire 6800/4810/4800/3800 Systems Service Manual*.

4. Power on the board:

```
schostname:SC> poweron board_name
```



5. Check the version of the firmware that is installed on the assembly by using the `showboards` command:

```
schostname:SC> showboards -p version
```

The firmware version of the new replacement board must be compatible with the system controller firmware.

6. If the firmware version of the replacement board or assembly is not compatible with the SC firmware, use the `flashupdate -c` command to update the firmware from another board in the current domain:

```
schostname:SC> flashupdate -c source_board destination_board
```

For details on the `flashupdate` command syntax, refer to the command description in the *Sun Fire 6800/4810/4800/3800 System Controller Command Reference Manual*.

7. Before you bring the board back to the Solaris operating environment, test the I/O assembly in a spare domain that contains at least one CPU/Memory board with a minimum of one CPU.

- a. Enter a spare domain.

- b. Test the I/O assembly.

For details, see “Testing an I/O Assembly” on page 134.

8. Use DR to connect and configure the assembly back into the domain running the Solaris operating environment.

Refer to the *Sun Fire 6800, 4810, 4800, and 3800 Systems Dynamic Reconfiguration User Guide*.

---

## CompactPCI and PCI Cards

If you need to remove and replace a CompactPCI or PCI card, use the procedures that follow. These procedures do not involve DR commands. For additional information on replacing CompactPCI and PCI cards, refer to the *Sun Fire 6800/4810/4800/3800 Systems Service Manual*.

## ▼ To Remove and Replace a PCI Card

1. **Halt the Solaris operating environment in the domain, power off the I/O assembly, and remove it from the system.**

Complete Step 1 and Step 2 in “To Remove and Replace a System Board” on page 140.

2. **Remove and replace the card.**

Refer to the *Sun Fire 6800/4810/4800/3800 Systems Service Manual*.

3. **Replace the I/O assembly and power it on.**

Complete Step 3 and Step 4 in “To Remove and Replace a System Board” on page 140.

4. **Reconfigure booting of the Solaris operating environment in the domain.**

At the `ok` prompt, type `boot -r`.

```
ok boot -r
```

## ▼ To Remove and Replace a CompactPCI Card

1. **Halt the Solaris operating environment in the domain, power off the I/O assembly, and remove it from the system.**

Complete Step 1 and Step 2 in “To Remove and Replace a System Board” on page 140.

2. **Remove and replace the CompactPCI card from the I/O assembly.**

For details, refer to the *Sun Fire 6800/4810/4800/3800 Systems Service Manual*.

3. **Reconfigure booting of the Solaris operating environment in the domain.**

At the `ok` prompt, type `boot -r`.

```
ok boot -r
```

---

# Repeater Board

This section discusses the firmware steps necessary to remove and replace a Repeater board. Only the Sun Fire 6800/4810/4800 systems have Repeater boards. The Sun Fire 3800 system has the equivalent of two Repeater boards on the active centerplane.

## ▼ To Remove and Replace a Repeater Board

1. **Determine which domains are active by typing the `showplatform -p status` system controller command from the platform shell.**
2. **Determine which Repeater boards are connected to each domain (TABLE 12-1).**

TABLE 12-1 Repeater Boards and Domains


System	Partition Mode	Repeater Board Names	Domain IDs
Sun Fire 6800 system	Single partition	RP0, RP1, RP2, RP3	A, B
Sun Fire 6800 system	Dual partition	RP0, RP1	A, B
Sun Fire 6800 system	Dual partition	RP2, RP3	C, D
Sun Fire 4810 system	Single partition	RP0, RP2	A, B
Sun Fire 4810 system	Dual partition	RP0	A
Sun Fire 4810 system	Dual partition	RP2	C
Sun Fire 4800 system	Single partition	RP0, RP2	A, B
Sun Fire 4800 system	Dual partition	RP0	A
Sun Fire 4800 system	Dual partition	RP2	C
Sun Fire 3800 system	Equivalent of two Repeater boards integrated into the active centerplane.		

3. **Complete the steps to**
  - Halt the Solaris operating environment in each domain the Repeater board is connected to.
  - Power off each domain.Complete Step 1 through Step 3 in “To Power Off the System” on page 70.

4. Power off the Repeater board with the `poweroff` command.

```
schostname:SC> poweroff board_name
```

where `board_name` is the name of the Repeater board (`rp0`, `rp1`, `rp2`, or `rp3`).

5. Verify that the green power LED is off (  ).



---

**Caution** – Be sure you are properly grounded before you remove and replace the Repeater board.

---

6. Remove and replace the Repeater board.

Refer to the *Sun Fire 6800/4810/4800/3800 Systems Service Manual*.

7. Boot each domain using the boot procedure described in “To Power On the System” on page 72.

---

## System Controller Board

This section discusses how to remove and replace a System Controller board.

### ▼ To Remove and Replace the System Controller Board in a Single SC Configuration

---

**Note** – This procedure assumes that your system controller has failed and that there is no spare system controller.

---

1. For each active domain, use a telnet session to access the domain (see Chapter 2 for details), and halt the Solaris operating environment in the domain.



---

**Caution** – Because you do not have access to the console, you will not be able to determine when the operating environment is completely halted. Wait until you can best judge that the operating environment has halted.

---

2. Turn off the system completely.



---

**Caution** – Be sure to power off the circuit breakers and the power supply switches for the Sun Fire 3800 system. Make sure you power off all the hardware components to the system.

---

Refer to the “Powering Off and On” chapter in the *Sun Fire 6800/4810/4800/3800 Systems Service Manual*.

**3. Remove the defective System Controller board and replace the new System Controller board.**

Refer to the “System Controller Board” chapter in the *Sun Fire 6800/4810/4800/3800 Systems Service Manual*.

**4. Check the firmware version of the new replacement board by using the `showsc` command:**

```
schostname: SC> showsc
```

The firmware version of the new System Controller board must be compatible with other components in the system. If the firmware version is not compatible, use the `flashupdate` command to upgrade or downgrade the firmware on the new system controller board. Refer to the `Install.info` file for instructions on upgrading or downgrading system controller firmware.

**5. Power on the RTUs, AC input boxes, and the power supply switches.**

Refer to the “Powering Off and On” chapter in the *Sun Fire 6800/4810/4800/3800 Systems Service Manual*. When the specified hardware is powered on, the System Controller board will automatically power on.

**6. Do one of the following:**

- If you previously saved the platform and domain configurations by using the `dumpconfig` command, use the `restoreconfig` command to restore the platform and domain configurations from a server.

You must have saved the latest platform and domain configurations of your system with the `dumpconfig` command in order to restore the latest platform and domain configurations with the `restoreconfig` command. For command syntax and examples, see the `restoreconfig` command in the *Sun Fire 6800/4810/4800/3800 System Controller Command Reference Manual*.

- If you did not type the `dumpconfig` command earlier, configure the system again. See Chapter 3.

---

**Note** – When you insert a new System Controller board into the system, it is set to the default values of the `setupplatform` command. It is set to DHCP, which means the system controller will use DHCP to get to its network settings.

If DHCP is not available (there is a 60-second timeout waiting period), then the System Controller board will boot and the network (`setupplatform -p net`) will need to be configured before you can type the `restoreconfig` command.

---

7. **Check the date and time for the platform and each domain.**

Type the `showdate` command in the platform shell and in each domain shell.  
If you need to reset the date or time, go to Step 8. Otherwise, skip to Step 9.
8. **Set the date and time for the platform and for each domain (if needed).**
  - a. **Set the date and time for the platform shell.**

See the `setdate` command in the *Sun Fire 6800/4810/4800/3800 System Controller Command Reference Manual*.
  - b. **Set the date for each domain shell.**
9. **Check the configuration for the platform by typing `showplatform` at the platform shell. If necessary, run the `setupplatform` command to configure the platform.**

See “To Configure Platform Parameters” on page 51.
10. **Check the configuration for each domain by typing `showdomain` in each domain shell. If necessary, run the `setupdomain` command to configure each domain.**

See “To Configure Domain-Specific Parameters” on page 53.
11. **Boot the Solaris operating environment in each domain you want powered on.**
12. **Complete Step 4 and Step 5 in “To Power On the System” on page 72.**

## ▼ To Remove and Replace a System Controller Board in a Redundant SC Configuration

1. **Run the `showsc` or `showfailover -v` command to determine which system controller (SC) is the main.**

2. If the working system controller (the one that is not to be replaced) is not the main, perform a manual failover :

```
schostname:sc> setfailover force
```

The working system controller becomes the main SC

3. Power off the system controller to be replaced:

```
schostname:SC> poweroff component_name
```

where *component\_name* is the name of the System Controller board to be replaced, either SSC0 or SSC1.

The System Controller board is powered off, and the hot-plug LED is illuminated. A message indicates when you can safely remove the system controller.

4. Remove the defective System Controller board and replace it with the new System Controller board.

The new System Controller board powers on automatically.

5. Verify that the firmware on the new system controller matches the firmware on the working SC.

You can use the `showsc` command to check the firmware version (the ScApp version) running on the system controller. If the firmware versions do not match, use the `flashupdate` command to upgrade or downgrade the firmware on the new system controller so that it corresponds with the firmware version of the other SC. Refer to the `Install.info` file for details.

6. Re-enable SC failover by running the following command on the main or spare SC:

```
schostname:SC> setfailover on
```

---

## ID Board and Centerplane

This section explains how to remove and replace an ID board and centerplane.

## ▼ To Remove and Replace ID Board and Centerplane

1. **Before you begin, be sure to have a terminal connected to the serial port of the system controller and have the following information available (it will be used later in this procedure):**

- System serial number
- Model number
- MAC address (for domain A)
- Host ID (for domain A)
- Know if you have a Capacity on Demand system

You can find information on labels affixed to the system. Refer to the *Sun Fire 6800/4810/4800/3800 Systems Service Manual* for more information on label placement.

In most cases, when only the ID board and centerplane are replaced, the original System Controller board will be used. The above information was already cached by the system controller and will be used to program the replacement ID board. You will be asked to confirm the above information.

2. **Complete the steps to remove and replace the centerplane and ID board.**

Refer to the "Centerplane and ID Board" chapter of the *Sun Fire 6800/4810/4800/3800 Systems Service Manual*.

---

**Note** – The ID board can be written only once. Exercise care to manage this replacement process carefully. Any errors may require a new ID board.

---

3. **After removing and replacing the ID board, make every attempt to use the original System Controller board installed in slot ssc0 in this system.**

Using the same System Controller board allows the system controller to automatically prompt with the correct information.

4. **Power on the hardware components.**

Refer to the "Power Off and On" chapter of the *Sun Fire 6800/4810/4800/3800 Systems Service Manual*.

The system controller boots automatically.



5. If you have a serial port connection, access the console for the system controller because the system will prompt you to confirm the board ID information (CODE EXAMPLE 12-1).

The prompting will not occur with a telnet connection.

**CODE EXAMPLE 12-1** Confirming Board ID Information

```
It appears that the ID Board has been replaced.
Please confirm the ID information:
(Model, System Serial Number, Mac Address Domain A, HostID Domain A, COD Status)
Sun Fire 4800, 45H353F, 08:00:20:d8:a7:dd, 80d8a7dd, non-COD
Is the information above correct? (yes/no):
```

If you have a new System Controller board, skip Step 6 and go to Step 7.

6. Compare the information collected in Step 1 with the information you have been prompted with in Step 5.
  - If the information matches, answer *yes* to the above question on the system controller console. The system will boot normally.
  - If the information does not match, answer *no* to the above question on the system controller console.
7. If you answer *no* to the question in Step 6 *or* if you are replacing both the ID board and the System Controller board at the same time, you will be prompted to enter the ID information manually.

---

**Note** – Enter this information carefully, as you have only one opportunity to do so. Use the information collected in Step 1 to answer the questions prompted for in CODE EXAMPLE 12-2. Be aware that you must specify the MAC address and Host ID of domain A (not for the system controller).

---

**CODE EXAMPLE 12-2** ID Information to Enter Manually

```
Please enter System Serial Number: xxxxxxxx
Please enter the model number (3800/4800/4810/6800): xxxx
MAC address for Domain A: xx:xx:xx:xx:xx:xx
Host ID for Domain A: xxxxxxxx
Is COD (Capacity on Demand) system ? (yes/no): xx
Programming Replacement ID Board
Caching ID information
```

8. Complete Step 3 and Step 4 in “To Power On the System” on page 72.



# Mapping Device Path Names

---

This appendix describes how to map device path names to physical system devices. It describes the following topics:

- “CPU/Memory Mapping” on page 155
- “I/O Assembly Mapping” on page 157

---

## Device Mapping

The physical address represents a physical characteristic that is unique to the device. Examples of physical addresses include the bus address and the slot number. The slot number indicates where the device is installed.

You reference a physical device by the node identifier—agent ID (AID). The AID ranges from 0 to 31 in decimal notation (0 to 1f in hexadecimal). In the device path beginning with `ssm@0,0` the first number, 0, is the node ID.

## CPU/Memory Mapping

CPU/Memory board and memory agent IDs (AIDs) range from 0 to 23 in decimal notation (0 to 17 in hexadecimal). Depending on the platform type, a system can have up to six CPU/Memory boards.

Each CPU/Memory board can have either two or four CPUs, depending on your configuration. Each CPU/Memory board has up to four banks of memory. Each bank of memory is controlled by one memory management unit (MMU), which is the CPU. The following code example shows a device tree entry for a CPU and its associated memory:

```
/ssm@0,0/SUNW/UltraSPARC-III@b,0 /ssm@0,0/SUNW/memory-controller@b,400000
```

where:

in b, 0

- b is the CPU agent identifier (AID)
- 0 is the CPU register

in b, 400000

- b is the memory agent identifier (AID)
- 400000 is the memory controller register

There are up to four CPUs on each CPU/Memory board (TABLE A-1):

- CPUs with AIDs 0–3 reside on board name SB0.
- CPUs with AIDs 4–7 on board name SB1.
- CPUs with AIDs 8–11 on board name SB2, and so on.

**TABLE A-1** CPU and Memory Agent ID Assignment

CPU/Memory Board Name	Agent IDs on Each CPU/Memory Board			
	CPU 0	CPU 1	CPU 2	CPU 3
SB0	0 (0)	1 (1)	2 (2)	3 (3)
SB1	4 (4)	5 (5)	6 (6)	7 (7)
SB2	8 (8)	9 (9)	10 (a)	11 (b)
SB3	12 (c)	13 (d)	14 (e)	15 (f)
SB4	16 (10)	17 (11)	18 (12)	19 (13)
SB5	20 (14)	21 (15)	22 (16)	23 (17)

**The first number in the columns of agent IDs is a decimal number. The number or letter in parentheses is in hexadecimal notation.**

# I/O Assembly Mapping

TABLE A-2 lists the types of I/O assemblies, the number of slots each I/O assembly has, and the systems the I/O assembly types are supported on.

**TABLE A-2** I/O Assembly Type and Number of Slots per I/O Assembly by System Type

I/O Assembly Type	Number of Slots Per I/O Assembly	System Name(s)
PCI	8	Sun Fire 6800/4810/4800 systems
CompactPCI	6	Sun Fire 3800 system
CompactPCI	4	Sun Fire 6800/4810/4800 systems

TABLE A-3 lists the number of I/O assemblies per system and the I/O assembly name.

**TABLE A-3** Number and Name of I/O Assemblies per System

System Name(s)	Number of I/O Assemblies	I/O Assembly Name
Sun Fire 6800 system	4	IB6–IB9
Sun Fire 4810 system	2	IB6 and IB8
Sun Fire 4800 system	2	IB6 and IB8
Sun Fire 3800 system	2	IB6 and IB8

Each I/O assembly hosts two I/O controllers:

- I/O controller 0
- I/O controller 1

When mapping the I/O device tree entry to a physical component in the system, you must consider up to five nodes in the device tree:

- Node identifier (ID)
- ID controller agent ID (AID)
- Bus offset
- PCI or CompactPCI slot
- Device instance

TABLE A-4 lists the AIDs for the two I/O controllers in each I/O assembly.

**TABLE A-4** I/O Controller Agent ID Assignments

Slot Number	I/O Assembly Name	Even I/O Controller AID	Odd I/O Controller AID
6	IB6	24 (18)	25 (19)
7	IB7	26 (1a)	27 (1b)
8	IB8	28 (1c)	29 (1d)
9	IB9	30 (1e)	31 (1f)

The first number in the column is a decimal number. The number (or a number and letter combination) in parentheses is in hexadecimal notation.

Each I/O controller has two bus sides: A and B.

- Bus A, which is 66 MHz, is referenced by offset 600000.
- Bus B, which is 33 MHz, is referenced by offset 700000.

The board slots located in the I/O assembly are referenced by the device number.

## PCI I/O Assembly

This section describes the PCI I/O assembly slot assignments and provides an example of the device path.

The following code example gives a breakdown of a device tree entry for a SCSI disk:

```
/ssm@0,0/pci@19,700000/pci@3/SUNW,ispstwo@4/sd@5,0
```

**Note** – The numbers in the device path are hexadecimal.

where:

in 19,700000

- 19 is the I/O controller agent identifier (AID).
- 700000 is the bus offset.

in pci@3

- 3 is the device number.

ispstwo is the SCSI host adapter.

in `sd@5,0`

- 5 is the SCSI target number for the disk.
- 0 is the logic unit number (LUN) of the target disk.

This section describes the PCI I/O assembly slot assignments and provides an example of the device path.

TABLE A-5 lists, in hexadecimal notation, the slot number, I/O assembly name, device path of each I/O assembly, the I/O controller number, and the bus.

**TABLE A-5** 8-Slot PCI I/O Assembly Device Map for the Sun Fire 6800/4810/4810 Systems

I/O Assembly Name	Device Path	Physical Slot Number	I/O Controller Number	Bus
IB6	/ssm@0,0/pci@18,700000/pci@1	0	0	B
	/ssm@0,0/pci@18,700000/pci@2	1	0	B
	/ssm@0,0/pci@18,700000/pci@3	2	0	B
	/ssm@0,0/pci@18,600000/pci@1	3	0	A
	/ssm@0,0/pci@19,700000/pci@1	4	1	B
	/ssm@0,0/pci@19,700000/pci@2	5	1	B
	/ssm@0,0/pci@19,700000/pci@3	6	1	B
	/ssm@0,0/pci@19,600000/pci@1	7	1	A
IB7	/ssm@0,0/pci@1a,700000/pci@1	0	0	B
	/ssm@0,0/pci@1a,700000/pci@2	1	0	B
	/ssm@0,0/pci@1a,700000/pci@3	2	0	B
	/ssm@0,0/pci@1a,600000/pci@1	3	0	A
	/ssm@0,0/pci@1b,700000/pci@1	4	1	B
	/ssm@0,0/pci@1b,700000/pci@2	5	1	B
	/ssm@0,0/pci@1b,700000/pci@3	6	1	B
	/ssm@0,0/pci@1b,600000/pci@1	7	1	A
IB8	/ssm@0,0/pci@1c,700000/pci@1	0	0	B
	/ssm@0,0/pci@1c,700000/pci@2	1	0	B
	/ssm@0,0/pci@1c,700000/pci@3	2	0	B
	/ssm@0,0/pci@1c,600000/pci@1	3	0	A
	/ssm@0,0/pci@1d,700000/pci@1	4	1	B

**TABLE A-5** 8-Slot PCI I/O Assembly Device Map for the Sun Fire 6800/4810/4810 Systems (Continued)

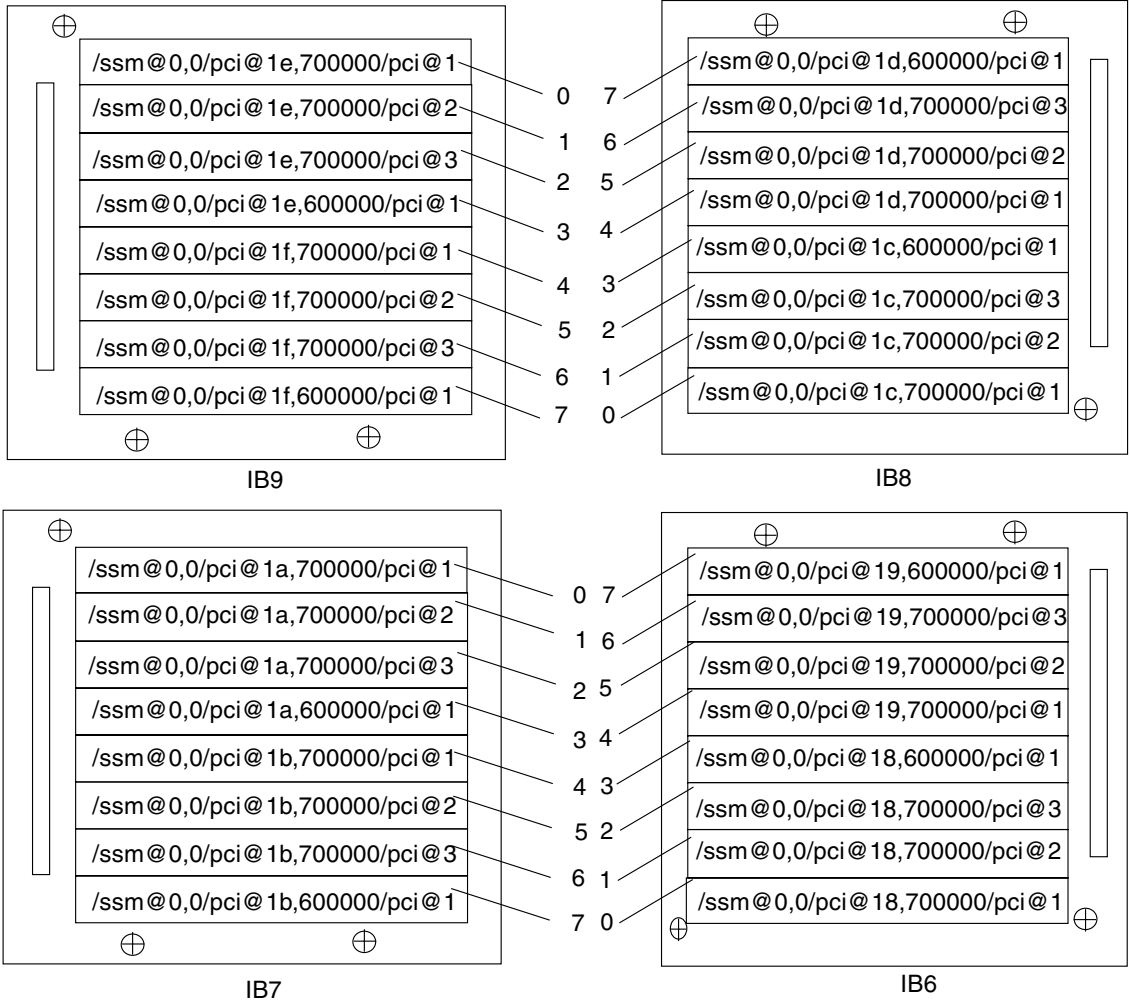
I/O Assembly Name	Device Path	Physical Slot Number	I/O Controller Number	Bus
	/ssm@0,0/pci@1d,700000/pci@2	5	1	B
	/ssm@0,0/pci@1d,700000/pci@3	6	1	B
	/ssm@0,0/pci@1d,600000/pci@1	7	1	A
IB9	/ssm@0,0/pci@1e,700000/pci@1	0	0	B
	/ssm@0,0/pci@1e,700000/pci@2	1	0	B
	/ssm@0,0/pci@1e,700000/pci@3	2	0	B
	/ssm@0,0/pci@1e,600000/pci@1	3	0	A
	/ssm@0,0/pci@1f,700000/pci@1	4	1	B
	/ssm@0,0/pci@1f,700000/pci@2	5	1	B
	/ssm@0,0/pci@1f,700000/pci@3	6	1	B
	/ssm@0,0/pci@1f,600000/pci@1	7	1	A

In TABLE A-5, note the following:

- 600000 is the bus offset and indicates bus A, which operates at 66 MHz.
- 700000 is the bus offset and indicates bus B, which operates at 33 MHz.
- pci@3 is the device number. In this example @3 means it is the third device on the bus.

FIGURE A-1 illustrates the Sun Fire 6800 PCI I/O assembly physical slot designations for I/O assemblies IB6 through IB9.

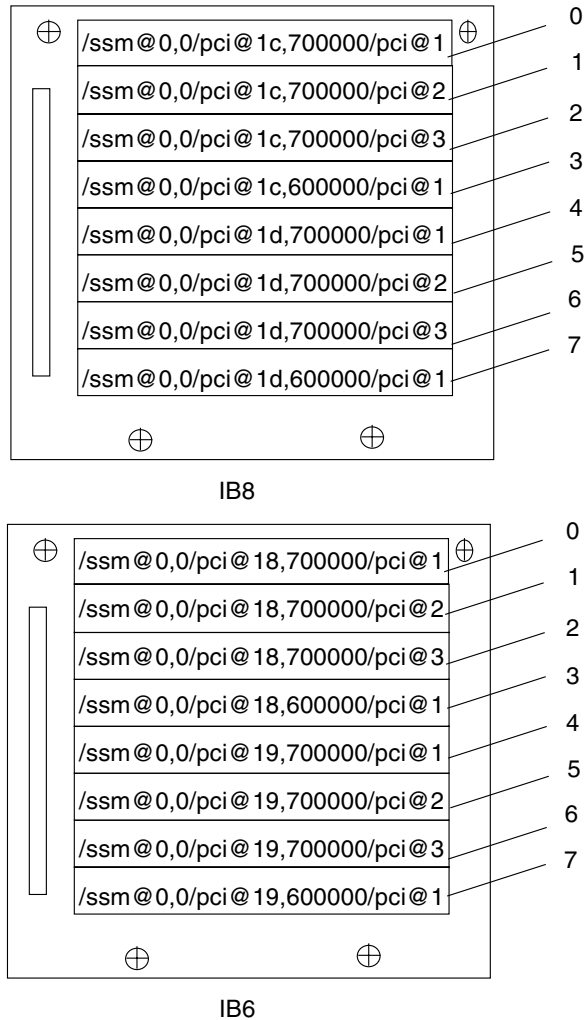




Note: Slots 0 and 1 of IB6 through IB9 are short slots.

**FIGURE A-1** Sun Fire 6800 System PCI Physical Slot Designations for IB6 Through IB9

FIGURE A-2 illustrates the comparable information for the Sun Fire 4810/4800/3800 systems.



Note: Slots 0 and 1 for IB6 and IB 8 are short slots.

**FIGURE A-2** Sun Fire 4810/4800 Systems PCI Physical Slot Designations for IB6 and IB8

## CompactPCI I/O Assembly

This section describes the CompactPCI I/O assembly slot assignments and provides an example on the 6-slot I/O assembly device paths.

### ▼ To Determine an I/O Physical Slot Number Using an I/O Device Path

1. Use TABLE A-6 for Sun Fire 3800 systems or to determine the:
  - I/O assembly based on the I/O controller AID address.
  - Physical slot number based on the I/O assembly and the device path.
2. Use FIGURE A-3 to locate the slot based on I/O assembly and the physical slot number.

### *CompactPCI I/O Assembly Slot Assignments*

This code example is the breakdown of the device tree for the CompactPCI I/O assembly, `ib8`.

```
/ssm@0,0/pci@1c,700000/pci@1/SUNW,ispw@4
```

where:

in `pci@1c,700000`

- `c` is the I/O controller AID.
- `700000` is the bus offset.

in `pci@1`

- `1` is the device number.

`ispw` is the SCSI host adapter.

### *6-Slot CompactPCI I/O Assembly Device Map*

TABLE A-6 lists, in hexadecimal notation, the slot number, I/O assembly name, device path of each I/O assembly, the I/O controller number, and the bus.

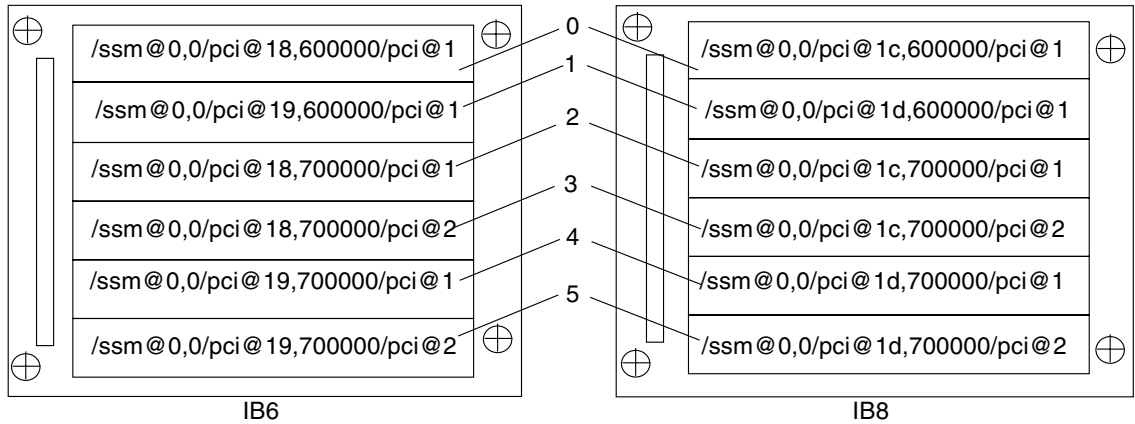
**TABLE A-6** Mapping Device Path to I/O Assembly Slot Numbers for Sun Fire 3800 Systems

I/O Assembly Name	Device Path	Physical Slot Number	I/O Controller Number	Bus
IB6	/ssm@0,0/pci@19,700000/pci@2	5	1	B
	/ssm@0,0/pci@19,700000/pci@1	4	1	B
	/ssm@0,0/pci@18,700000/pci@2	3	0	B
	/ssm@0,0/pci@18,700000/pci@1	2	0	B
	/ssm@0,0/pci@19,600000/pci@1	1	1	A
	/ssm@0,0/pci@18,600000/pci@1	0	0	A
IB8	/ssm@0,0/pci@1d,700000/pci@2	5	1	B
	/ssm@0,0/pci@1d,700000/pci@1	4	1	B
	/ssm@0,0/pci@1c,700000/pci@2	3	0	B
	/ssm@0,0/pci@1c,700000/pci@1	2	0	B
	/ssm@0,0/pci@1d,600000/pci@1	1	1	A
	/ssm@0,0/pci@1c,600000/pci@1	0	0	A

In TABLE A-6, note the following:

- 600000 is the bus offset and indicates bus A, which operates at 66 MHz.
- 700000 is the bus offset and indicates bus B, which operates at 33 MHz.
- pci@1 is the device number. The @1 means it is the first device on the bus.

FIGURE A-3 illustrates the Sun Fire 3800 CompactPCI physical slot designations.



**FIGURE A-3** Sun Fire 3800 System 6-Slot CompactPCI Physical Slot Designations

### 4-Slot CompactPCI I/O Assembly Device Map

TABLE A-7 lists, in hexadecimal notation, the slot number, I/O assembly name, device path of each I/O assembly, the I/O controller number, and the bus for Sun Fire 6800/4810/4800 systems.

**TABLE A-7** Mapping Device Path to I/O Assembly Slot Numbers for Sun Fire 6800/4810/4800 Systems

I/O Assembly Name	Device Path	Physical Slot Number	I/O Controller Number	Bus
IB6	/ssm@0,0/pci@19,700000/pci@1	3	1	B
	/ssm@0,0/pci@18,700000/pci@1	2	0	B
	/ssm@0,0/pci@19,600000/pci@1	1	1	A
	/ssm@0,0/pci@18,600000/pci@1	0	0	A
IB7	/ssm@0,0/pci@1b,700000/pci@1	3	1	B
	/ssm@0,0/pci@1a,700000/pci@1	2	0	B
	/ssm@0,0/pci@1b,600000/pci@1	1	1	A
	/ssm@0,0/pci@1a,600000/pci@1	0	0	A
IB8	/ssm@0,0/pci@1d,700000/pci@1	3	1	B
	/ssm@0,0/pci@1c,700000/pci@1	2	0	B
	/ssm@0,0/pci@1d,600000/pci@1	1	1	A

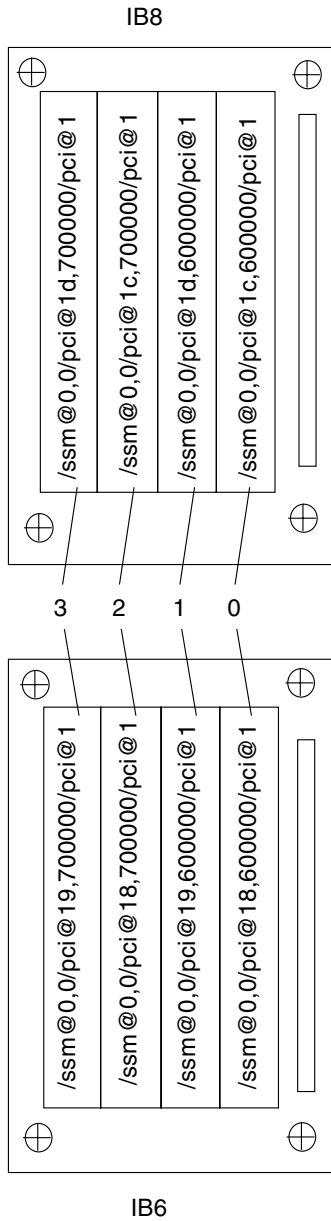
**TABLE A-7** Mapping Device Path to I/O Assembly Slot Numbers for Sun Fire 6800/4810/4800 Systems (Continued)

I/O Assembly Name	Device Path	Physical Slot Number	I/O Controller Number	Bus
	/ssm@0,0/pci@1c,600000/pci@1	0	0	A
IB9	/ssm@0,0/pci@1f,700000/pci@1	3	1	B
	/ssm@0,0/pci@1e,700000/pci@1	2	0	B
	/ssm@0,0/pci@1f,600000/pci@1	1	1	A
	/ssm@0,0/pci@1e,600000/pci@1	0	0	A

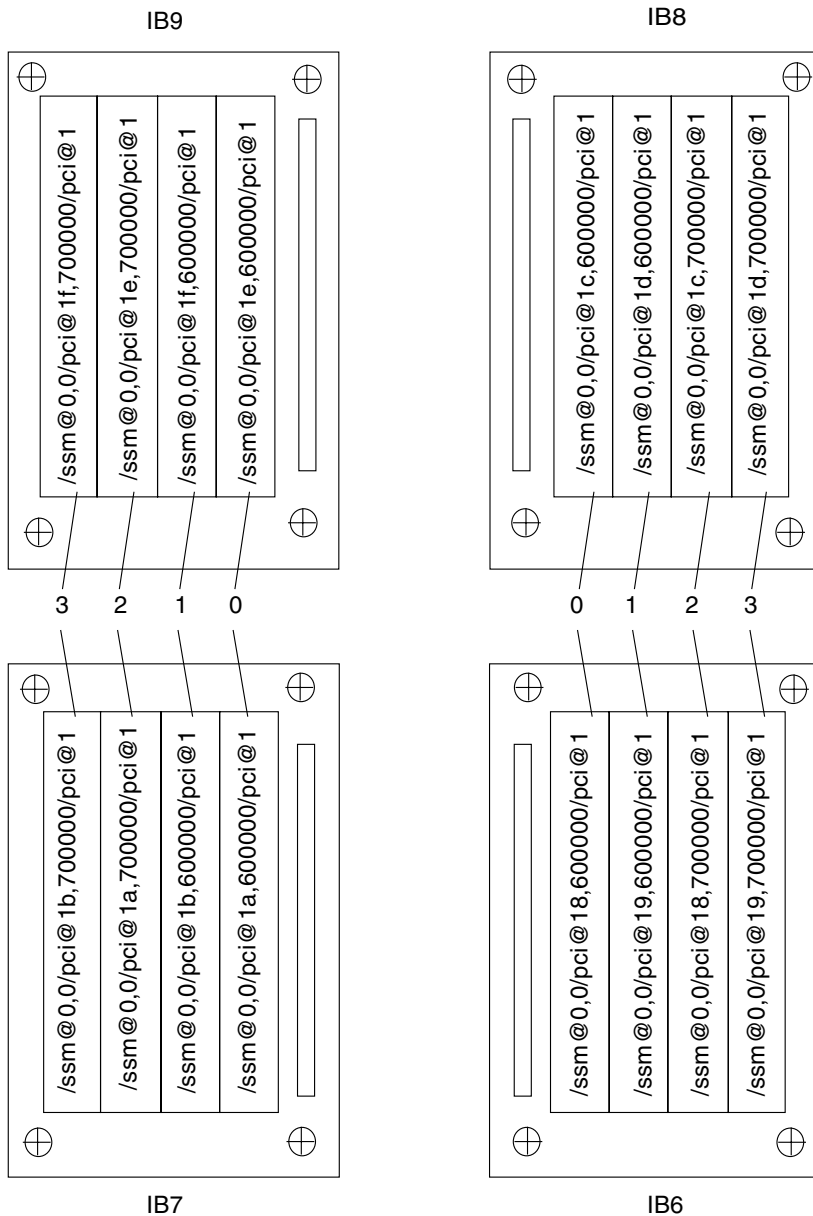
In TABLE A-7 note the following:

- 600000 is the bus offset and indicates bus A, which operates at 66 MHz.
- 700000 is the bus offset and indicates bus B, which operates at 33 MHz.
- pci@1 is the device number. The @1 means it is the first device on the bus.

FIGURE A-4 illustrates the Sun Fire 4810 and 4800 CompactPCI physical slot designations.



**FIGURE A-4** Sun Fire 4810/4800 Systems 4-Slot CompactPCI Physical Slot Designations



**FIGURE A-5** Sun Fire 6800 System 4-Slot CompactPCI Physical Slot Designations for IB6 through IB9



## Setting Up an HTTP or FTP Server: Examples

---

This appendix provides sample procedures for setting up a firmware server, which is necessary to invoke the `flashupdate` command. A firmware server can be either an HTTP or an FTP server. To upgrade firmware, you can use either the FTP or HTTP protocol.

---

**Note** – These procedures assume that you *do not* have a web server currently running. If you already have a web server set up, you can use or modify your existing configuration. For more information, see `man httpd` and also the documentation included with your HTTP or FTP server.

---

Before you begin to set up the HTTP or FTP server, follow these guidelines:

- Having one firmware server is sufficient for several Sun Fire 6800/4810/4800/3800 systems.
- Connect the firmware server to the network that is accessible by the system controller.



---

**Caution** – The firmware server *must not* go down during the firmware upgrade. *Do not* power down or reset the system during the `flashupdate` procedure.

---

---

## Setting Up the Firmware Server

This section provides the following sample procedures for setting up a firmware server:

- “To Set Up an HTTP Server” on page 170

- “To Set Up an FTP Server” on page 172

## ▼ To Set Up an HTTP Server

This sample procedure for setting up an Apache HTTP server with the Solaris 8 operating environment assumes that:

- An HTTP server *is not* already running.
- The Solaris 8 operating environment is installed for the HTTP server to be used.

### 1. Log in as superuser and navigate to the `/etc/apache` directory.

```
hostname % su
Password:
hostname # cd /etc/apache
```

### 2. Copy the `httpd.conf-example` file to replace the current `httpd.conf` file.

```
hostname # cp httpd.conf httpd.conf-backup
hostname # cp httpd.conf-example httpd.conf
```

### 3. Edit the `httpd.conf` file and make changes to Port: 80, ServerAdmin, and ServerName.

- a. Search through the `httpd.conf` file to find the “# Port:” section to determine the correct location to add the Port 80 value as shown in CODE EXAMPLE B-1.

#### CODE EXAMPLE B-1 Locating the Port 80 Value in `httpd.conf`

```
# Port: The port to which the standalone server listens. For
# ports < 1023, you will need httpd to be run as root initially.
#
Port 80
#
# If you wish httpd to run as a different user or group, you must
run
# httpd as root initially and it will switch.
```

- b. Search through the `httpd.conf` file to find the `# ServerAdmin:` section to determine the correct location to add the `ServerAdmin` value as shown in CODE EXAMPLE B-2.

**CODE EXAMPLE B-2** Locating the `ServerAdmin` Value in `httpd.conf`

```
# ServerAdmin: Your address, where problems with the server
# should be e-mailed. This address appears on some server-
# generated pages, such as error documents.

ServerAdmin root
#
# ServerName allows you to set a host name which is sent back to
```

- c. Search through the `httpd.conf` file and search for `ServerName` (CODE EXAMPLE B-3).

**CODE EXAMPLE B-3** Locating the `ServerName` Value in `httpd.conf`

```
#
# ServerName allows you to set a host name which is sent back to clients for
# your server if it's different than the one the program would get (i.e., use
# "www" instead of the host's real name).
#
# Note: You cannot just invent host names and hope they work. The name you
# define here must be a valid DNS name for your host. If you don't understand
# this, ask your network administrator.
# If your host doesn't have a registered DNS name, enter its IP address here.
# You will have to access it by its address (e.g., http://123.45.67.89/)
# anyway, and this will make redirections work in a sensible way.
#
ServerName oslab-mon
```

#### 4. Start Apache.

**CODE EXAMPLE B-4** Starting Apache

```
hostname # cd /etc/init.d
hostname # ./apache start
hostname # cd /cdrom/cdrom0/firmware/
hostname # mkdir /var/apache/htdocs/firmware_build_number
hostname # cp * /var/apache/htdocs/firmware_build_number
```

## ▼ To Set Up an FTP Server

This sample procedure for setting up an FTP server assumes that the Solaris 8 operating environment is installed for the FTP server to be used.

### 1. Log in as superuser and check the `ftpd` man page.

```
hostname % su
Password:
hostname # man ftpd
```

In the man pages you will find the script that will create the FTP server environment. Search through the man page to find the lines shown in the example below.

```
This script will setup your ftp server for you.
Install it in the /tmp directory on the server.
Copy this script and chmod 755 script_name.
#!/bin/sh
# script to setup anonymous ftp area
#
```

### 2. Copy the entire script out of the man page (not just the portion shown in the sample above) into the `/tmp` directory and `chmod 755` the *script*.

```
hostname # vi /tmp/script
hostname # chmod 755 /tmp/script
hostname # cd /tmp
hostname # ./script
```

3. If you need to set up anonymous FTP, add the following entry to the `/etc/passwd` file. You must use the following:

- Group – 65534
- Shell – `/bin/false`

`/export/ftp` was chosen to be the anonymous FTP area. This prevents users from logging in as the FTP user.

```
# ftp:x:500:65534:Anonymous FTP:/export/ftp:/bin/false
```

---

**Note** – When using anonymous FTP, you should be concerned about security.

---

4. Add the following entry to the `/etc/shadow` file. Do not give a valid password. Instead, use NP.

```
ftp:NP:6445:::~:
```

5. Configure the FTP server on the loghost server.

```
hostname # cd /export/ftp/pub
hostname # mkdir firmware_build_number
hostname # cd /cdrom/cdrom0/firmware
hostname # cp * /export/ftp/pub/firmware_build_number
```



# Glossary

---

- ACL** Access control list. In order to assign a board to a domain with the `addboard` command, the board name must be listed in the access control list (ACL). The ACL is checked when a domain makes an `addboard` or a `testboard` request on that board. On the Sun Fire 3800 system, all power supplies have switches on them to power them on. These power supplies must be listed in the ACL.
- active board state** When the board state is active, the slot has hardware installed in it. The hardware is being used by the domain to which it was assigned. Active boards cannot be reassigned.
- assigned board state** When a board state is assigned, the slot belongs to a domain but the hardware is not necessarily tested and configured for use. The slot can be given up by the domain administrator or reassigned by the platform administrator.
- auto-diagnosis (AD) engine** A firmware feature that detects and diagnoses hardware errors that affect the availability of a platform and its *domains*.
- available board state** When a board state is available, the slot is not assigned to any particular *domain*.
- Capacity on Demand (COD)** Capacity on Demand (COD) is an option that provides additional processing resources (CPUs) when you need them. These additional CPUs are provided on COD CPU/Memory boards that are installed in Sun Fire 6800/4810/4800/3800 systems. You can access the COD CPUs after you purchase the COD right-to-use (RTU) licenses for them.
- CHS** Component health status. The component maintains information regarding its health, including the diagnosis information generated by the *auto-diagnosis (AD) engine*.
- domain** A domain runs its own instance of the Solaris operating environment and is independent of other domains. Each domain has its own CPUs, memory, and I/O assemblies. *Fireplane switches* are shared between domains in the same *segment*.

<b>domain administrator</b>	The domain administrator manages the <i>domain</i> .
<b>failover</b>	The switchover of the main system controller to its spare or the system controller clock source to another system controller clock source when a failure occurs in the operation of the main system controller or the clock source.
<b>Fireplane switch</b>	A crossbar switch, also referred to as a <i>Repeater board</i> , that connects multiple CPU/Memory boards and I/O assemblies. Having the required number of Fireplane switches is mandatory for operation. There are Fireplane switches in each midframe system except for the Sun Fire 3800. In the Sun Fire 3800 system, the equivalent of two Fireplane switches are integrated into the active centerplane.
<b>headroom</b>	See <i>instant access CPUs</i> .
<b>instant access CPUs</b>	Unlicensed COD CPUs on COD CPU/Memory boards installed in Sun Fire 6800/4810/4800/3800 systems. You can access up to a maximum of four COD CPUs for immediate use while you are purchasing the COD right-to-use (RTU) licenses for the COD CPUs. Also referred to as <i>headroom</i> .
<b>partition</b>	See <i>segment</i> .
<b>platform administrator</b>	The platform administrator manages hardware resources across <i>domains</i> .
<b>port</b>	A board connector.
<b>Repeater board</b>	See <i>Fireplane switch</i> .
<b>RTS</b>	Redundant transfer switch.
<b>RTU</b>	Redundant transfer unit.
<b>segment</b>	A segment, also referred to as a <i>partition</i> , is a group of <i>Fireplane switches</i> that are used together to provide communication between CPU/Memory boards and I/O assemblies in the same domain. You can set up the system with one segment or two segments using the system controller <code>setupplatform</code> command. Segments do not share Fireplane switches.
<b>SNMP agent</b>	Simple Network Management Protocol agent. Enables or disables the SNMP agent.
<b>Sun Management Center software</b>	A graphical user interface that monitors your system.
<b>system controller firmware</b>	The application that performs all of the system controller configuration functions.



# Index

---

## A

access control list (ACL), 64, 75  
addcodlicense command, 120  
administrator workstation, unauthorized access, 63  
auto-diagnosis (AD) engine, 27, 53, 85  
auto-restoration, 27, 53, 87  
availability, 26

## B

board  
  CPU/Memory, 15  
    redundant, 13  
    testing, 133  
  deleting from a domain, 76, 78, 143  
  Repeater  
    description, 20  
  System Controller board  
    firmwaresteps, removal and installation, 139

## C

Capacity on Demand (COD), 29, 115  
  instant access CPUs (headroom), 117  
  prerequisites, 118  
  resources  
    configuring, 123  
    CPU status, 128, 129  
    monitoring, 118, 125, 127  
  right-to-use (RTU) licenses, 116

  allocation, 117  
  certificates, 116  
  keys, 119, 121  
  obtaining, 119  
  component health status (CHS), 24, 87  
  component location status, 23, 143  
  component redundancy, configuring domains, 14  
  configurations  
    I/O assemblies, 17  
  console messages, 12  
  cooling, redundant, 13, 18  
  CPU/Memory board, 15  
    hot-swapping, 143  
    testing, 133  
  CPU/Memory mapping, 155  
  CPUs  
    maximum number per CPU/Memory board, 16  
    minimum number per CPU/Memory board, 16  
  current, monitoring, 12

## D

date, setting, 50  
deleteboard command, 76, 78  
deletecodlicense command, 120  
device name mapping, 155  
device path names to physical system devices, 155  
diagnostic information  
  auto-diagnosis, 86  
  Solaris operating environment, 110

- domain, 1, 175
  - A, entering from the platform shell, 42
  - access, unauthorized, 63
  - active, 2
  - adding boards to, 75
  - auto-restoration, 87
  - configuring with component redundancy, 14
  - console, 11
    - definition, 40
  - creating, 2
    - three domains on the Sun Fire 6800 system, 60
  - default configuration, 2
  - deleting boards from, 75, 76, 78
  - features, 2
  - hang recovery, 88
  - overview, 2
  - powering on, 56, 61, 74
  - restoration controls, 89
  - running the Solaris operating environment, 40
  - security, 65, 66
  - separation, 65
  - setting up
    - two domains, system controller software, 59
  - starting, 61
- domain shell, 11
  - navigating to the OpenBoot PROM, 39
  - navigating to the Solaris operating environment, 39
- domain shell and platform shell navigation, 38
- dual-partition mode, 3, 13
- dynamic configuration (DR)
  - hot-swapping a CPU/Memory board, 143
- dynamic reconfiguration (DR), 30
  - hot-swapping an I/O assembly, 144

## E

- ECC, 25
- environmental monitoring, 12
- error
  - checking and correction, 25
- Ethernet (network) port, 9
  - System Controller board, 8

## F

- failover
  - recovery tasks, 105
- fan tray
  - hot-swapping, 18
  - redundant, 13, 18
- fault, system, 107
- features, 9
  - Ethernet (network), 9
  - serial (RS-232) port, 9
  - System Controller board ports, 9
    - features, 9
- Fireplane switch, 20
- flashupdate command, 83
- Frame Manager software, 32

## G

- grids, power
  - powering on, 49

## H

- hardware
  - powering on, 49
- HostID/MAC address swap, 3, 79, 114
- hot-swapping
  - CPU/Memory board, 143
  - fan trays, 18
  - I/O assembly, 144

## I

- I/O assemblies
  - mapping, 157
  - redundant, 17
  - supported configurations, 17
- I/O assembly
  - hot-swapping, 144
- I/O, redundant, 17
- IP multipathing software, 17, 31

## K

- keyswitch
  - virtual, 12
- keyswitch command, 73
- keyswitch off command, 71
- keyswitch positions, virtual, 73

## L

- loghosts, 89

## M

- maintenance, 69
- mapping, 155
  - CPU/Memory, 155
  - I/O assembly, 157
  - node, 155
- memory
  - redundant, 16
- messages, console, 12
- monitoring
  - current, 12
  - environmental conditions, 12
  - sensors, 12
  - temperature, 12
  - voltage, 12
- multipathing, 17, 31

## N

- navigation
  - between domain shell and the OpenBoot PROM or the domain shell and the Solaris operating environment, 39
  - between OpenBoot PROM and the domain shell, 40
  - system controller, 38
  - to the domain shell, 39, 40
- node mapping, 155

## O

- OpenBoot PROM, 40

## P

- partition, 3, 13
  - mode, 3
  - mode, dual, 3, 13
  - mode, single, 3, 13
  - modes, 13
  - number, 13
- password
  - setting, 65
- passwords and users, security, 66
- platform, 1, 120
  - setting up, 49
- platform shell
  - entering domain A, 42
- platform shell and domain shell
  - navigation, 38
- power, 19
  - redundant, 13, 19
- power grids, powering on, 49
- power on
  - flowchart, 46
  - steps performed before power on, 48
  - system controller
    - tasks completed, 10
- power on and system setup steps
  - flowchart, 46
- power supplies, 19
- powering off
  - system, 70
- powering on
  - domain, 56, 61, 74
  - hardware, 49
  - system, 10
- processors
  - maximum number per CPU/Memory board, 16
  - minimum number per CPU/Memory board, 16

## R

- RAS, 22
- redundancy

- component, configuring domains, 14
- redundant, 19
  - cooling, 13, 18
  - CPU/Memory boards, 13
  - fan trays, 13
  - I/O, 17
  - I/O assemblies, 17
  - memory, 16
  - power, 13, 19
  - power supplies, 19
  - Repeater boards, 20
- reliability, 22
- Repeater board
  - definition, 20
  - descriptions, 20
  - failure recovery, 3, 114
  - redundant, 20

**S**

- security
  - domain, 65
  - domains, 66
  - threats, 63
  - users and passwords, 66
- sensors, monitoring, 12
- serial (RS-232) port, 9
  - System Controller board, 8
- server
  - setting up, 49
- serviceability, 28
- setdate command, 50
- setkeyswitch on command, 56, 61, 74, 129
- setls command, 24
- setting the date and time, 50
- setting up
  - system (platform), 49
  - system, flowchart, 46
  - two domains, system controller software, 59
- setupplatform command, 123
- shells, domain, 11
- showcodlicense command, 121
- showcodusage command, 126
- showcomponent command, 24, 93, 130
- showdomain command, 131

- showlogs command, 91, 131
- showplatform command, 131
- single-partition mode, 3, 13
- Solaris operating environment, 39
- starting a domain, 61
- Sun Management Center Supplement software, 32
- syslog host, 12
- system
  - administrator, tasks, 10
  - faults, 107
  - power on, system controller
    - tasks completed, 10
  - powering off, 70
  - setting up, 49
  - setting up, flowchart, 46
- system controller
  - access, unauthorized, 63
  - definition, 1, 8
  - failover, 97
  - functions, 8
  - navigation, 38
  - tasks completed, power on, 10
- System Controller board
  - Ethernet (network) port, 8
  - firmware steps for removal and installation, 139
  - ports, 8
    - features, 9
  - serial (RS-232) port, 8

**T**

- tasks performed by system administrator, 10
- temperature, monitoring, 12
- testboard command, 133
- three domains
  - creating on the Sun Fire 6800 system, 60
- time, setting, 50
- troubleshooting, 107

**U**

- user workstation, unauthorized access, 63
- users and passwords, security, 66

## **V**

virtual keyswitch, 12, 73

voltage, monitoring, 12

