



Sun Fire™ V440 Server 2-Post Rackmounting Guide

Sun Microsystems, Inc.
4150 Network Circle
Santa Clara, CA 95054 U.S.A.
650-960-1300

Part No. 817-0952-10
July 2003, Revision A

Submit comments about this document at: <http://www.sun.com/hwdocs/feedback>

Copyright 2003 Sun Microsystems, Inc., 4150 Network Circle, Santa Clara, California 95054, U.S.A. All rights reserved.

Sun Microsystems, Inc. has intellectual property rights relating to technology embodied in the product that is described in this document. In particular, and without limitation, these intellectual property rights may include one or more of the U.S. patents listed at <http://www.sun.com/patents> and one or more additional patents or pending patent applications in the U.S. and in other countries.

This document and the product to which it pertains are distributed under licenses restricting their use, copying, distribution, and decompilation. No part of the product or of this document may be reproduced in any form by any means without prior written authorization of Sun and its licensors, if any.

Third-party software, including font technology, is copyrighted and licensed from Sun suppliers.

Parts of the product may be derived from Berkeley BSD systems, licensed from the University of California. UNIX is a registered trademark in the U.S. and in other countries, exclusively licensed through X/Open Company, Ltd.

Sun, Sun Microsystems, the Sun logo, OpenBoot, AnswerBook2, docs.sun.com, SunSolve Online, Sun Fire, and Solaris are trademarks or registered trademarks of Sun Microsystems, Inc. in the U.S. and in other countries.

All SPARC trademarks are used under license and are trademarks or registered trademarks of SPARC International, Inc. in the U.S. and in other countries. Products bearing SPARC trademarks are based upon an architecture developed by Sun Microsystems, Inc.

The OPEN LOOK and Sun™ Graphical User Interface was developed by Sun Microsystems, Inc. for its users and licensees. Sun acknowledges the pioneering efforts of Xerox in researching and developing the concept of visual or graphical user interfaces for the computer industry. Sun holds a non-exclusive license from Xerox to the Xerox Graphical User Interface, which license also covers Sun's licensees who implement OPEN LOOK GUIs and otherwise comply with Sun's written license agreements.

U.S. Government Rights—Commercial use. Government users are subject to the Sun Microsystems, Inc. standard license agreement and applicable provisions of the FAR and its supplements.

DOCUMENTATION IS PROVIDED "AS IS" AND ALL EXPRESS OR IMPLIED CONDITIONS, REPRESENTATIONS AND WARRANTIES, INCLUDING ANY IMPLIED WARRANTY OF MERCHANTABILITY, FITNESS FOR A PARTICULAR PURPOSE OR NON-INFRINGEMENT, ARE DISCLAIMED, EXCEPT TO THE EXTENT THAT SUCH DISCLAIMERS ARE HELD TO BE LEGALLY INVALID.

Copyright 2003 Sun Microsystems, Inc., 4150 Network Circle, Santa Clara, California 95054, Etats-Unis. Tous droits réservés.

Sun Microsystems, Inc. a les droits de propriété intellectuelle relatant à la technologie incorporée dans le produit qui est décrit dans ce document. En particulier, et sans la limitation, ces droits de propriété intellectuelle peuvent inclure un ou plus des brevets américains énumérés à <http://www.sun.com/patents> et un ou les brevets plus supplémentaires ou les applications de brevet en attente dans les Etats-Unis et dans les autres pays.

Ce produit ou document est protégé par un copyright et distribué avec des licences qui en restreignent l'utilisation, la copie, la distribution, et la décompilation. Aucune partie de ce produit ou document ne peut être reproduite sous aucune forme, par quelque moyen que ce soit, sans l'autorisation préalable et écrite de Sun et de ses bailleurs de licence, s'il y en a.

Le logiciel détenu par des tiers, et qui comprend la technologie relative aux polices de caractères, est protégé par un copyright et licencié par des fournisseurs de Sun.

Des parties de ce produit pourront être dérivées des systèmes Berkeley BSD licenciés par l'Université de Californie. UNIX est une marque déposée aux Etats-Unis et dans d'autres pays et licenciée exclusivement par X/Open Company, Ltd.

Sun, Sun Microsystems, le logo Sun, OpenBoot, AnswerBook2, docs.sun.com, SunSolve Online, Sun Fire, et Solaris sont des marques de fabrique ou des marques déposées de Sun Microsystems, Inc. aux Etats-Unis et dans d'autres pays.

Toutes les marques SPARC sont utilisées sous licence et sont des marques de fabrique ou des marques déposées de SPARC International, Inc. aux Etats-Unis et dans d'autres pays. Les produits portant les marques SPARC sont basés sur une architecture développée par Sun Microsystems, Inc.

L'interface d'utilisation graphique OPEN LOOK et Sun™ a été développée par Sun Microsystems, Inc. pour ses utilisateurs et licenciés. Sun reconnaît les efforts de pionniers de Xerox pour la recherche et le développement du concept des interfaces d'utilisation visuelle ou graphique pour l'industrie de l'informatique. Sun détient une licence non exclusive de Xerox sur l'interface d'utilisation graphique Xerox, cette licence couvrant également les licenciées de Sun qui mettent en place l'interface d'utilisation graphique OPEN LOOK et qui en outre se conforment aux licences écrites de Sun.

LA DOCUMENTATION EST FOURNIE "EN L'ÉTAT" ET TOUTES AUTRES CONDITIONS, DECLARATIONS ET GARANTIES EXPRESSES OU TACITES SONT FORMELLEMENT EXCLUES, DANS LA MESURE AUTORISEE PAR LA LOI APPLICABLE, Y COMPRIS NOTAMMENT TOUTE GARANTIE IMPLICITE RELATIVE A LA QUALITE MARCHANDE, A L'APTITUDE A UNE UTILISATION PARTICULIERE OU A L'ABSENCE DE CONTREFAÇON.



Contents

Preface v

Checklist of 2-Post Rackmounting and Setup Tasks 2

Inventory for 2-Post Rackmounting 3

Attach the Mounting Brackets to the Chassis 4

Locate the Mounting Holes 5

Install the Mounting Screws 6

Install the Server Into the Rack 7

Install the Server Into a Populated Rack 8

What Next 10

Preface

The *Sun Fire V440 Server 2-Post Rackmounting Guide* provides instructions on how to install a Sun Fire™ V440 server into a 2-post rack. Instructions for installing the server into a 4-post rack are included in the *Sun Fire V440 Server Installation Guide*.

How This Book Is Organized

This guide consists of a single chapter, and replaces all rackmounting and cable management arm instructions in the *Sun Fire V440 Server Installation Guide*. After completing installation of the server into a 2-post rack, however, you must use the *Sun Fire V440 Server Installation Guide* to complete server installation.

Related Documentation

Application	Title	Part Number
Late-breaking product information	<i>Sun Fire V440 Server Product Notes</i>	816-7733
Cabling and power-on overview	<i>Sun Fire V440 Server Setup: Cabling and Power On</i>	816-7734
System installation	<i>Sun Fire V440 Server Installation Guide</i>	816-7727
Administration	<i>Sun Fire V440 Server Administration Guide</i>	816-7728
Parts installation and removal	<i>Sun Fire V440 Server Parts Installation and Removal Guide</i>	816-7729
Diagnostics and troubleshooting	<i>Sun Fire V440 Server Diagnostics and Troubleshooting Guide</i>	816-7730
Sun Advanced Lights Out Manager (ALOM) system controller	<i>Sun Advanced Lights Out Manager (ALOM) Online Help</i>	817-1960

Accessing Sun Documentation

You can view, print, or purchase a broad selection of Sun documentation, including localized versions, at:

<http://www.sun.com/documentation>

Contacting Sun Technical Support

If you have technical questions about this product that are not answered in this document, consult the following URL:

<http://www.sun.com/service/contacting>

Sun Welcomes Your Comments

Sun is interested in improving its documentation and welcomes your comments and suggestions. You can submit your comments by going to:

<http://www.sun.com/hwdocs/feedback>

Please include the title and part number of your document with your feedback:

Sun Fire V440 Server 2-Post Rackmounting Guide, part number 817-0952-10

Installing a Sun Fire V440 Server Into a 2-Post Rack

This chapter provides step-by-step instructions for installing a Sun Fire V440 server into a 2-post rack.

Note – When a Sun Fire V440 server is installed into a 2-post rack, only the disk drives and power supplies are serviceable in the rack. You need to remove the server from the rack to service any other component. See the *Sun Fire V440 Server Parts Installation and Removal Guide* for more information.

This chapter contains the following procedures and information:

- “Checklist of 2-Post Rackmounting and Setup Tasks” on page 2
- “Inventory for 2-Post Rackmounting” on page 3
- “Attach the Mounting Brackets to the Chassis” on page 4
- “Locate the Mounting Holes” on page 5
- “Install the Mounting Screws” on page 6
- “Install the Server Into the Rack” on page 7
- “Install the Server Into a Populated Rack” on page 8

Checklist of 2-Post Rackmounting and Setup Tasks

TABLE 1 Overview of 2-Post Rackmounting and Setup Steps

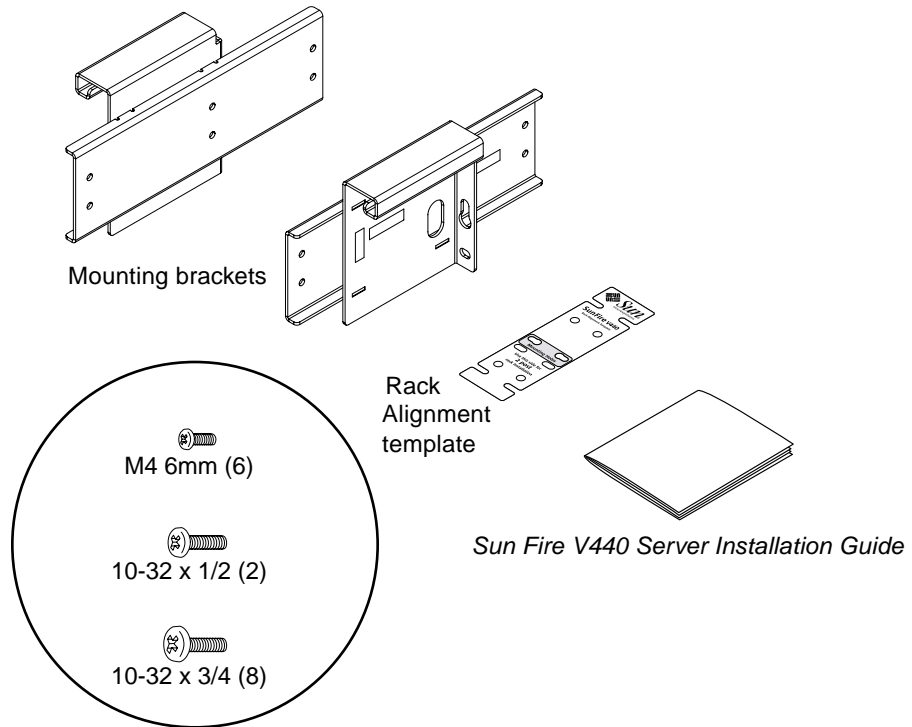
Step	Task	Refer To
1	Unpack the rackmounting kit and verify the contents.	“Inventory for 2-Post Rackmounting” on page 3
2	Attach the brackets to the server.	“Attach the Mounting Brackets to the Chassis” on page 4
3	Locate the mounting holes.	“Locate the Mounting Holes” on page 5
4	Install the mounting screws.	“Install the Mounting Screws” on page 6
5	Install the server into the rack.	“Install the Server Into the Rack” on page 7

If you are installing the server into a *populated* rack, see the section, “Install the Server Into a Populated Rack” on page 8.

After completing the tasks in this guide, you are ready to connect cables and cords and then power on the server. For those instructions, turn to the *Sun Fire V440 Server Installation Guide* on your Documentation CD. Begin with the section, “Install Optional Components” in Chapter 2.

Inventory for 2-Post Rackmounting

You need one 2-post rackmounting kit for each Sun Fire V440 server you intend to install into a rack. You also need the *Sun Fire V440 Server Installation Guide* from the Documentation CD and the Rack Alignment template from the ship kit.

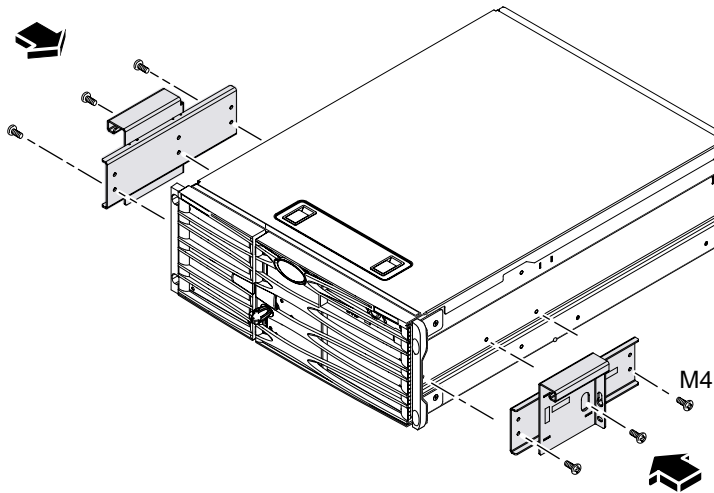


Tool Required

- Screwdriver, long, Phillips No. 2

Attach the Mounting Brackets to the Chassis

- Using three M4 screws for each bracket, attach the mounting brackets to the chassis.

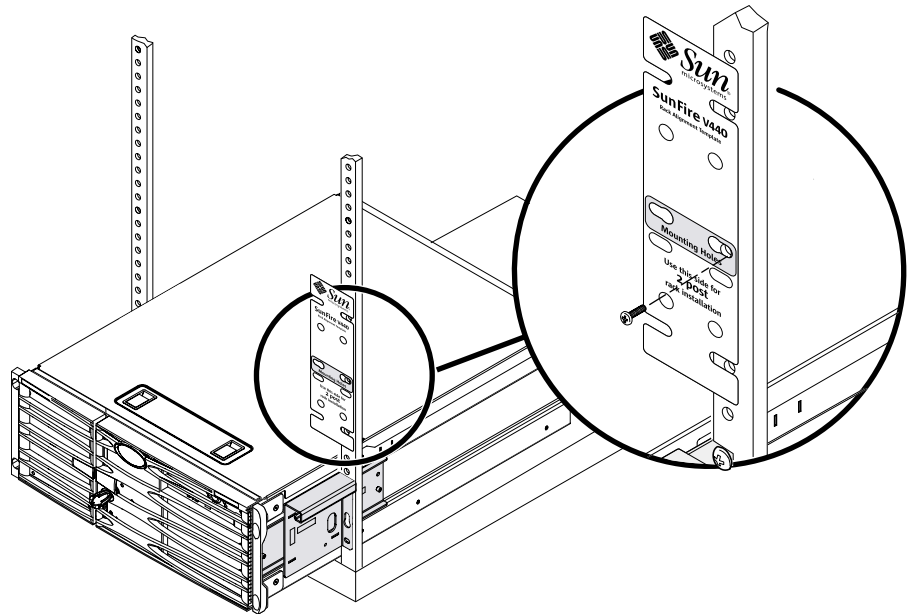


Locate the Mounting Holes

- Use the Rack Alignment template to locate and mark the holes for the mounting screws on each vertical rack rail. Allow four rack unit spaces (7.0 inches/17.8 cm) per server.

To use the Rack Alignment template, complete these steps:

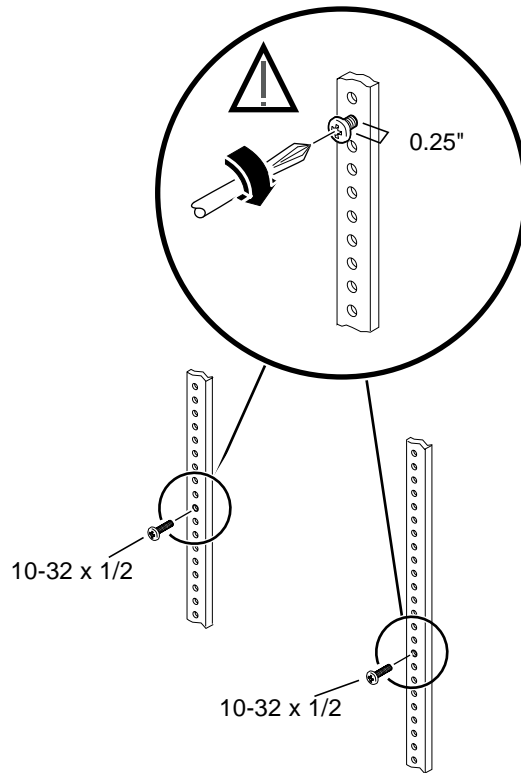
- a. Place the Rack Alignment template over the vertical rack rail, with the side marked for 2-post rack installation facing out.
- b. Place the Rack Alignment template in the space where the server will be installed, lining up the bottom of the Rack Alignment template with the top of the server below. See next figure.
- c. Adjust the Rack Alignment template so that the mounting hole is centered on a rack rail hole and mark that rail hole.



Install the Mounting Screws

- **Install one 10-32 x 1/2 screw on the left and one 10-32 x 1/2 screw on the right vertical rack rails.**

Use the holes you marked in the previous step. Do not fully tighten the screws until after you install the server. Leave a 0.25-inch (0.64-cm) gap between the head of each screw and the rack rail.



Install the Server Into the Rack



Caution – Before you install or remove the server from the rack, be sure the rack is stabilized so that it cannot move or tip forward. See the rack documentation for information about stabilizing the rack.

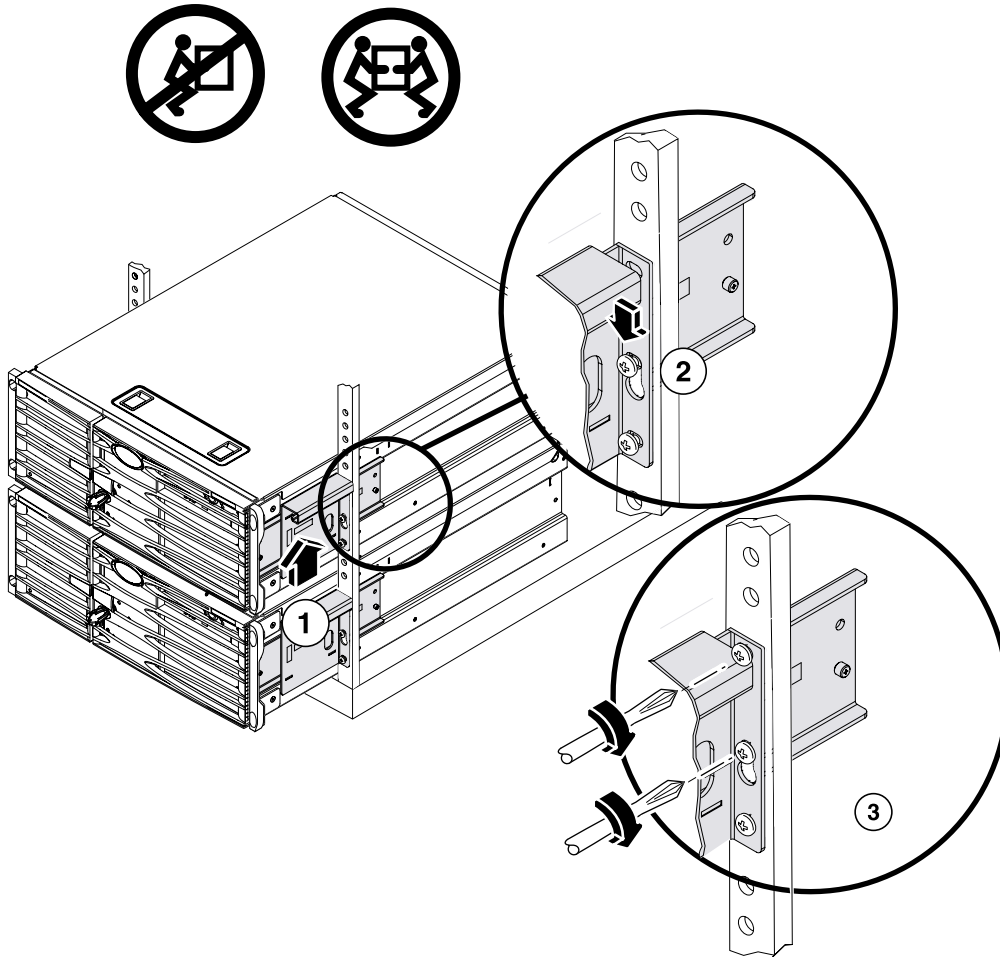


Caution – The server is heavy. Two persons are required to move the server.

1. **With one person on each side of the server, lift the server and approach the rack with the back of the server facing the front of the rack.**
2. **Lift the server up and over the mounting screw on each side of the vertical rack rail so that the large hole clears the head of the screw.**

Slide the server down so that the server rests on the mounting screws.

3. Use six 10-32 screws, two screws and the mounting screw on each side, to secure the server to the vertical rack rails.



Install the Server Into a Populated Rack

Attach the mounting brackets to the chassis using three M4 screws for each bracket. See “Attach the Mounting Brackets to the Chassis” on page 4 for instructions.

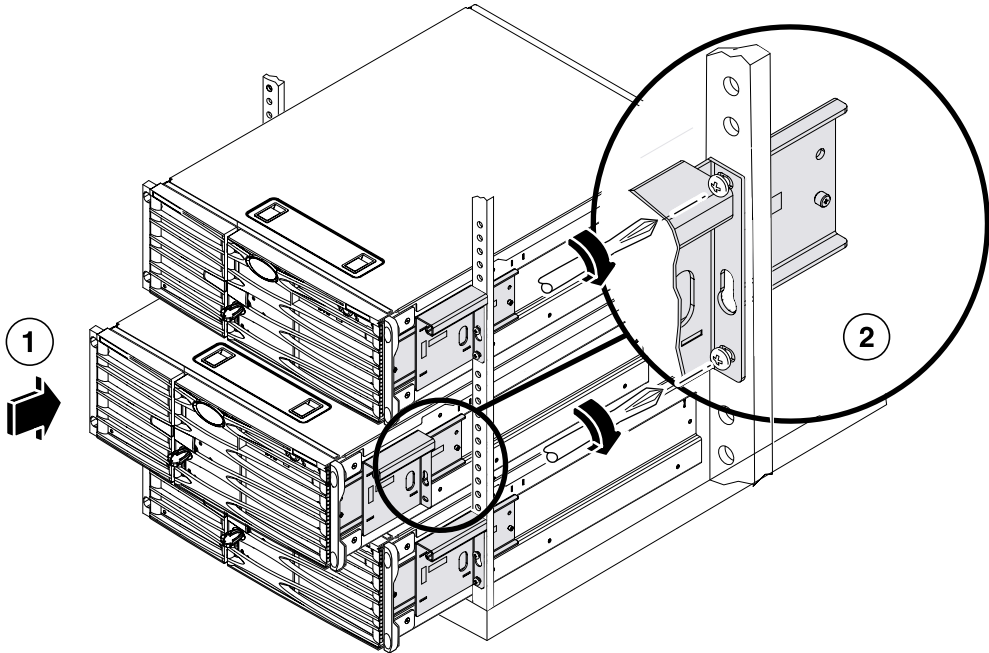
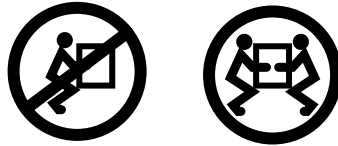


Caution – When installing or removing the server from a populated 2-post rack, be sure to support the weight of the server, so that you do not damage the component installed below it in the rack.

1. Slide the server into the open position in the rack.

Allow four rack unit spaces (7.0 inches/17.8 cm) per server.

2. Using a Phillips No. 2 screwdriver, secure the top and bottom screws to the left and the right vertical rack rails.



What Next

The next steps are to connect the power cords and Ethernet cables, and then to power on the server. See the *Sun Fire V440 Server Installation Guide*, beginning with the section, “Install Optional Components” in Chapter 2.