



Sun Fire™ V210 and V240 Servers Product Notes

Sun Microsystems, Inc.
4150 Network Circle
Santa Clara, CA 95054 U.S.A.
650-960-1300

Part No. 816-4828-13
February 2004, Revision A

Send comments about this document to: docfeedback@sun.com

Copyright 2004 Sun Microsystems, Inc., 4150 Network Circle, Santa Clara, California 95054, U.S.A. All rights reserved.

Sun Microsystems, Inc. has intellectual property rights relating to technology embodied in the product that is described in this document. In particular, and without limitation, these intellectual property rights may include one or more of the U.S. patents listed at <http://www.sun.com/patents>, and one or more additional patents or pending patent applications in the U.S. and in other countries.

This document and the product to which it pertains are distributed under licenses restricting their use, copying, distribution, and decompilation. No part of the product or of this document may be reproduced in any form by any means without prior written authorization of Sun and its licensors, if any.

Third-party software, including font technology, is copyrighted and licensed from Sun suppliers.

Parts of the product may be derived from Berkeley BSD systems, licensed from the University of California. UNIX is a registered trademark in the U.S. and other countries, exclusively licensed through X/Open Company, Ltd.

Sun, Sun Microsystems, the Sun logo, AnswerBook2, docs.sun.com, and Solaris are trademarks, registered trademarks, or service marks of Sun Microsystems, Inc. in the U.S. and other countries.

All SPARC trademarks are used under license and are trademarks or registered trademarks of SPARC International, Inc. in the U.S. and other countries. Products bearing SPARC trademarks are based upon an architecture developed by Sun Microsystems, Inc.

The OPEN LOOK and Sun™ Graphical User Interface was developed by Sun Microsystems, Inc. for its users and licensees. Sun acknowledges the pioneering efforts of Xerox in researching and developing the concept of visual or graphical user interfaces for the computer industry. Sun holds a non-exclusive license from Xerox to the Xerox Graphical User Interface, which license also covers Sun's licensees who implement OPEN LOOK GUIs and otherwise comply with Sun's written license agreements.

Use, duplication, or disclosure by the U.S. Government is subject to restrictions set forth in the Sun Microsystems, Inc. license agreements and as provided in DFARS 227.7202-1(a) and 227.7202-3(a) (1995), DFARS 252.227-7013(c)(1)(ii) (Oct. 1998), FAR 12.212(a) (1995), FAR 52.227-19, or FAR 52.227-14 (ALT III), as applicable.

DOCUMENTATION IS PROVIDED "AS IS" AND ALL EXPRESS OR IMPLIED CONDITIONS, REPRESENTATIONS AND WARRANTIES, INCLUDING ANY IMPLIED WARRANTY OF MERCHANTABILITY, FITNESS FOR A PARTICULAR PURPOSE OR NON-INFRINGEMENT, ARE DISCLAIMED, EXCEPT TO THE EXTENT THAT SUCH DISCLAIMERS ARE HELD TO BE LEGALLY INVALID.

Copyright 2004 Sun Microsystems, Inc., 4150 Network Circle, Santa Clara, California 95054, Etats-Unis. Tous droits réservés.

Sun Microsystems, Inc. a les droits de propriété intellectuelle relatant à la technologie incorporée dans le produit qui est décrit dans ce document. En particulier, et sans la limitation, ces droits de propriété intellectuelle peuvent inclure un ou plus des brevets américains énumérés à <http://www.sun.com/patents> et un ou les brevets plus supplémentaires ou les applications de brevet en attente dans les Etats-Unis et dans les autres pays.

Ce produit ou document est protégé par un copyright et distribué avec des licences qui en restreignent l'utilisation, la copie, la distribution, et la décompilation. Aucune partie de ce produit ou document ne peut être reproduite sous aucune forme, par quelque moyen que ce soit, sans l'autorisation préalable et écrite de Sun et de ses bailleurs de licence, s'il y en a.

Le logiciel détenu par des tiers, et qui comprend la technologie relative aux polices de caractères, est protégé par un copyright et licencié par des fournisseurs de Sun.

Des parties de ce produit pourront être dérivées des systèmes Berkeley BSD licenciés par l'Université de Californie. UNIX est une marque déposée aux Etats-Unis et dans d'autres pays et licenciée exclusivement par X/Open Company, Ltd.

Sun, Sun Microsystems, le logo Sun, AnswerBook2, docs.sun.com, et Solaris [AND ATTRIBUTION OF ALL OTHER SUN TRADEMARKS MENTIONED SIGNIFICANTLY THROUGHOUT PRODUCT OR DOCUMENTATION. REMOVE THIS TEXT!] sont des marques de fabrique ou des marques déposées de Sun Microsystems, Inc. aux Etats-Unis et dans d'autres pays.

Toutes les marques SPARC sont utilisées sous licence et sont des marques de fabrique ou des marques déposées de SPARC International, Inc. aux Etats-Unis et dans d'autres pays. Les produits portant les marques SPARC sont basés sur une architecture développée par Sun Microsystems, Inc.

L'interface d'utilisation graphique OPEN LOOK et Sun™ a été développée par Sun Microsystems, Inc. pour ses utilisateurs et licenciés. Sun reconnaît les efforts de pionniers de Xerox pour la recherche et le développement du concept des interfaces d'utilisation visuelle ou graphique pour l'industrie de l'informatique. Sun détient une licence non exclusive de Xerox sur l'interface d'utilisation graphique Xerox, cette licence couvrant également les licenciés de Sun qui mettent en place l'interface d'utilisation graphique OPEN LOOK et qui en outre se conforment aux licences écrites de Sun.

LA DOCUMENTATION EST FOURNIE "EN L'ÉTAT" ET TOUTES AUTRES CONDITIONS, DECLARATIONS ET GARANTIES EXPRESSES OU TACITES SONT FORMELLEMENT EXCLUES, DANS LA MESURE AUTORISÉE PAR LA LOI APPLICABLE, Y COMPRIS NOTAMMENT TOUTE GARANTIE IMPLICITE RELATIVE A LA QUALITE MARCHANDE, A L'APTITUDE A UNE UTILISATION PARTICULIERE OU A L'ABSENCE DE CONTREFAÇON.



Introduction

This document contains information that became available after the platform documentation was printed. It contains the following sections:

- “Contents of the Ship Kit” on page 2
- “Preinstalled Software” on page 2
- “Sun ONE Software” on page 3
- “Unpacking the Server” on page 3
- “Opening the Bezel” on page 4
- “Status Indicators: Hard Disk Drive” on page 4
- “Powering On the Server From the Keyboard” on page 5
- “Compliance and Safety Manual” on page 5
- “Sun MC” on page 5
- “Motherboard Jumper Information” on page 6
- “Sun Fire V240 Server: Power Supply Unit Removal” on page 9
- “Air Duct” on page 9
- “Replacing the System Board” on page 9
- “Replacing the Battery” on page 10
- “High-speed Serial Interface Adapter” on page 10
- “Acoustic Noise Generated” on page 10
- “Installing a Hard Disk Drive” on page 11
- “PCI Cards” on page 11
- “USB Circuit Breakers” on page 12
- “Rackmounting the Server” on page 12
- “SunVTS Tests” on page 15
- “Additional ALOM Information” on page 16

Contents of the Ship Kit

The table below replaces that given in Chapter 1 of the *Sun Fire V210 and V240 Servers Installation Guide*.

TABLE 1 Contents of the Sun Fire V210 and V240 Servers Ship Kit

Description	Quantity	Part Number
Rackmount kit	1	370-5707-xx
System key (For use with Sun Fire V240 server only)	1	250-1317-xx
Antistatic wrist strap	1	250-1691-xx
RJ-45 to DB-9 adapter	1	530-3100-xx
RJ-45 to DB-25 adapter	1	530-2889-xx
Cat5 RJ-45 cable	2	530-2961-xx
<i>Sun Fire V210 and V240 Server Quick Start Guide</i>	1	816-4824-xx
<i>Sun Fire V210 and V240 Server Compliance and Safety Guide</i>	1	817-1462-xx
<i>Sun Fire V210 and V240 Server Installation Guide</i>	1	816-4825-xx
<i>Sun Fire V210 and V240 Server Documentation CD</i>	1	818-0325-xx

Preinstalled Software

The Solaris Operating Environment is preinstalled on the Sun Fire V210 and V240 servers.

To identify which specific version of the software is installed on your server, use the `cat /etc/release` command.

When you first power on the server, you are given an option to choose either Solaris 8, 07/03 or Solaris 9, 8/03. When you choose one version, the other is deleted and you will not subsequently be able to use it.

Sun ONE Software

The Sun Fire V210 and V240 servers ship with Sun ONE software preinstalled. The packages are:

- Sun ONE Web Server 6.0 (60 days try and buy)
<http://docs.sun.com/source/816-5683-10/index.html>
- Sun ONE Application Server 7, Platform Edition (free)
<http://docs.sun.com/db/prod/>
- Sun ONE Application Server 7, Standard Edition (60 days try and by)
<http://docs.sun.com/db/prod/>
- Sun ONE Mail Server 5.2 (free for the first 200 mailboxes)
<http://docs.sun.com/source/816-6014-10/index.html>
- Sun ONE Calendar Server 5.1.1
<http://docs.sun.com/source/816-6414-10/index.html>
- Sun ONE Instant Collaboration Pack 3.0.1 (free for the first 200 mailboxes)
<http://docs.sun.com/source/816-5809-10/index.html>
- Sun ONE Directory Server 5.1 (Free license for 200K entries)
<http://docs.sun.com/source/816-5610-10/index.html>
- Sun ONE Active Server Pages V3.6.2
Includes installation documentation.
- Sun ONE Studio 4, update 1 (free)
<http://docs.sun.com/source/817-1144/index.html>

Unpacking the Server



Caution – The servers ship with cardboard packing installed behind the front bezel. Open the bezel and remove the filler panel before you power the server on.

Opening the Bezel

Grip the bezel at the points marked by green triangles at each end of the bezel to open it. Do not attempt to open the bezel using a single gripping point or by holding the middle of the bezel, as this could damage it.

Status Indicators: Hard Disk Drive

This section corrects page 9 of the *Sun Fire V210 and V240 Servers Administration Guide*. The hard disk drive indicators are arranged as shown in FIGURE 1.

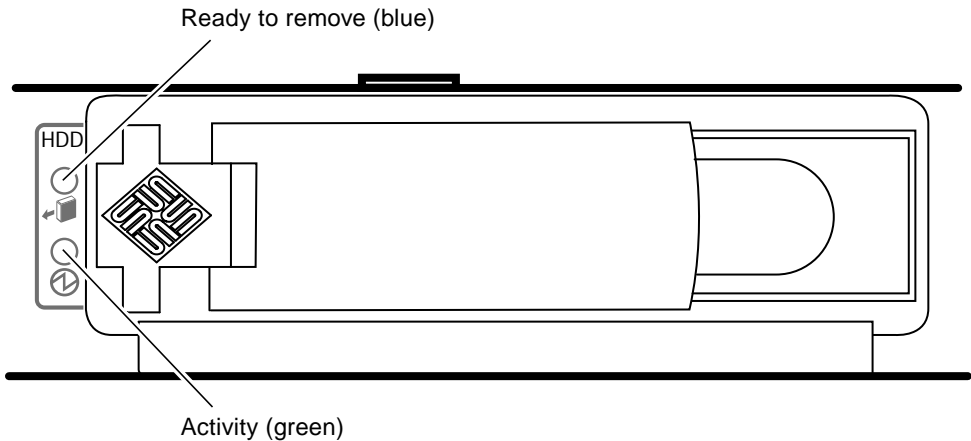


FIGURE 1 Location of Hard Disk Drive Indicators

Powering On the Server From the Keyboard

There is an error in Chapter 4 of the *Sun Fire V210 and V240 Servers Installation Guide*. In the subsection called “To Power On From the Keyboard” (pages 42-45), there is another step that you need to perform after typing the `poweron` command in step 5. The final step is as follows:

6. At the console `sc>` prompt, type the following to access the server:

```
sc> console
```

Compliance and Safety Manual

The part number given in the preface of the *Sun Fire V210 and V240 Servers Parts Replacement Manual* (816-4827-10) is incorrect.

The correct part number of the *Sun Fire V210 and V240 Servers Compliance and Safety Manual* is 817-1462-10.

Sun MC

The Sun Management Center section of the *Sun Fire V210 and V240 Servers Administration Guide* refers to the *Sun Management Center Software User's Guide*. Additional information is available, in the *Sun Management Center 3.0 Supplement for Sun Fire, Sun Blade and Netra Systems* (817-1007-10).

Motherboard Jumper Information

The table below provides default jumper settings. This information is provided to enable Sun service personnel to restore the default system jumper configuration. If you are not a Sun service engineer, do not change jumper settings.

Note – Changing the setting for JP1 could cause damage to the server.

TABLE 2 Default Jumper settings

Jumper ID	Default setting	Additional information
JP1	1-2: Fitted 3-4: Fitted 5-6: Not Fitted 7-8: Not Fitted 9-10: Fitted	Processor core voltage. Do not alter this jumper setting.
JP2	1-2: Not Fitted	ALOM Flash ROM swap halves. Only service personnel should modify this setting. Fitting a jumper effects the swap.
JP3	1-2: Not Fitted	ALOM reset. Used for testing the system only.
JP4	1-2: Fitted 3-4: Not Fitted 5-6: Not Fitted 7-8: Not Fitted 9-10: Not Fitted	System configuration. Do not alter this jumper setting.
JP5	1-2: Not Fitted	ATAPI device master/slave. Do not alter this jumper setting.
JP6	1-2: Fitted (this is non-functional setting) 2-3: Not Fitted	ROMBO enable. Only service personnel should modify this setting. Fit jumper to 2-3 to enable ROMBO.
JP8	1-2: Fitted 2-3: Not Fitted	Clear CMOS. Only service personnel should modify this setting. Fit jumper to 2-3 to clear CMOS.
JP10	1-2: Not Fitted	Override PSON#. Only service personnel should modify this setting.
JP11	1-2: Not Fitted	ROM write-protect. Only service personnel should modify this setting.

TABLE 2 Default Jumper settings

Jumper ID	Default setting	Additional information
JP12	1-2: Not Fitted	ALOM console bypass. Only service personnel should modify this setting.
JP13	1-2: Fitted (this is non-functional setting) 2-3: Not Fitted	OBP Flash ROM swap halves. Only service personnel should modify this setting. Fit jumper to 2-3 to effect swap.
JP14	1-2: Not Fitted	ALOM AFT mode. Used for testing the system only.

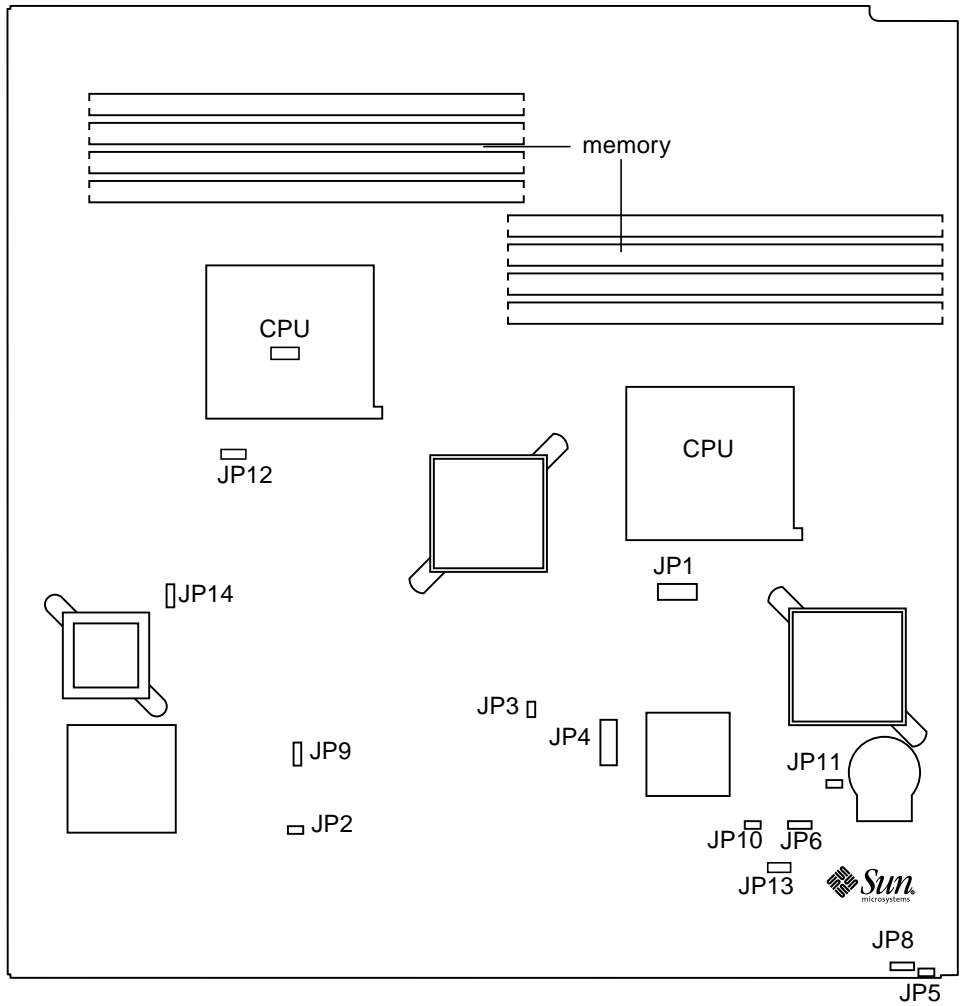


FIGURE 2 Jumper Locations

Sun Fire V240 Server: Power Supply Unit Removal

Power supply units on the Sun Fire V240 server cannot be removed from the server until the power cable has been disconnected from the inlet socket.

When disconnecting a power cable from a PSU inlet socket, make sure you are disconnecting from the PSU you intend to remove from the server.

Air Duct

The design of the air duct inside the server has changed since the platform documentation went to print.

The air duct no longer screws into place, as described in the *Sun Fire V210 and V240 Servers Parts Replacement Manual*, but clips into the chassis instead. Use the handle on top of the duct to position it correctly and clip it into the chassis.

Replacing the System Board

The CPU and System Board Assembly section of the *Sun Fire V210 and V240 Servers Parts Replacement Manual* has one step missing:

- **Before unscrewing the DB-9 and SCSI jackposts (step 11), remove the CPU heatsink(s).**

For instructions on how to do this, refer to the “CPU Heatsink Assembly” section of the *Sun Fire V210 and V240 Servers Parts Replacement Manual*.

- **When installing a system board, replace the CPU heatsink(s) before reconnecting the system board cables (step 6).**

Replacing the Battery

When replacing the battery, always use a replacement of an identical type to that removed.

High-speed Serial Interface Adapter

Because of the design of the key-ways on the edge-connector of the Sun High-speed Serial Interface Adapter (X-option number X1155A), this adapter will not fit into slot 0 of the Sun Fire V240 Server or the PCI slot of the Sun Fire V210 Server. It will fit into slots 1 and 2 of the Sun Fire V240 Server but you cannot use it in a Sun Fire V210 Server.

Acoustic Noise Generated

The ambient temperature threshold given in Table 2-11 on page 31 of the *Sun Fire V210 and V240 Servers Installation Guide* is incorrect. The correct figure is given in TABLE 3.

TABLE 3 Updated Acoustic Noise Generated

Server	Noise generated
Sun Fire V210 Server	less than 6.7B sound power in ambient temperature of up to 24°C, measured on a standalone system to ISO 9296 requirements
Sun Fire V240 Server	less than 7.1B sound power in ambient temperature of up to 24°C, measured on a standalone system to ISO 9296 requirements

Installing a Hard Disk Drive

`show-obdiag-results` Not Supported

Page 76 of the *Sun Fire V210 and V240 Servers Administration Guide* (816-4826-10) lists the `show-obdiag-results` command. This command is not implemented.

Installing a SCSI Hard Disk Drive With Solaris Running

Page 29 of the *Sun Fire V210 and V240 Servers Administration Guide* (816-4826-10) documents the procedure for installing a SCSI hard disk drive while the Solaris operating environment is running. Steps 3 and 4 are not needed. The following note applies:

Note – The output text provided is example text only. In the example outputs, the disk identified is not consistent across examples. However, the format of the output is correct. The disk name will be consistent in the output you see when you type the commands.

PCI Cards

The following note refers to page 36 of the *Sun Fire V210 and V240 Server Parts Replacement Manual* (817-0743-10).

Note – A 66 MHz PCI card can only perform at 33 MHz when it is attached to PCI-1 and PCI-2.

USB Circuit Breakers

ALOM does not monitor the USB circuit breakers.

Rackmounting the Server

This section gives some additional information about rackmounting the server. It supports the rackmounting section of the *Sun Fire V210 and V240 Servers Installation Guide* (816-4825-xx).

The design of the slide assemblies has changed slightly since the platform documentation was written. The operation of the assemblies is the same, but there are some minor changes to the appearance of the sliders. See FIGURE 3.

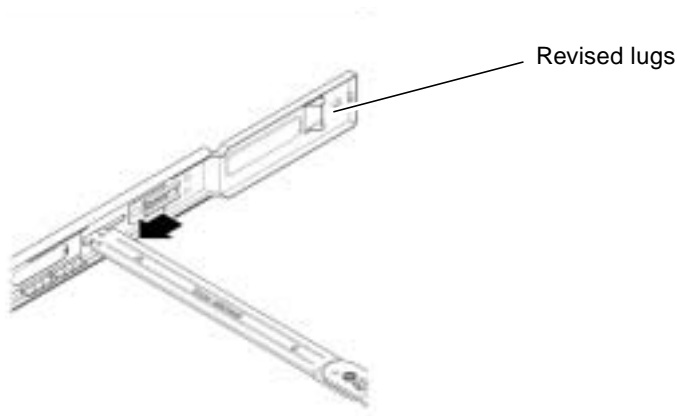


FIGURE 3 Revised slide rail assemblies

Cable management arm

This section gives some additional help on attaching the cable management arm into the slide rail assembly. It supplements the information contained in the *Sun Fire V210 And V240 servers Installation Guide* (816-4825-xx).

See the steps in FIGURE 4 to attach the cable management arm to the slide rail assemblies.

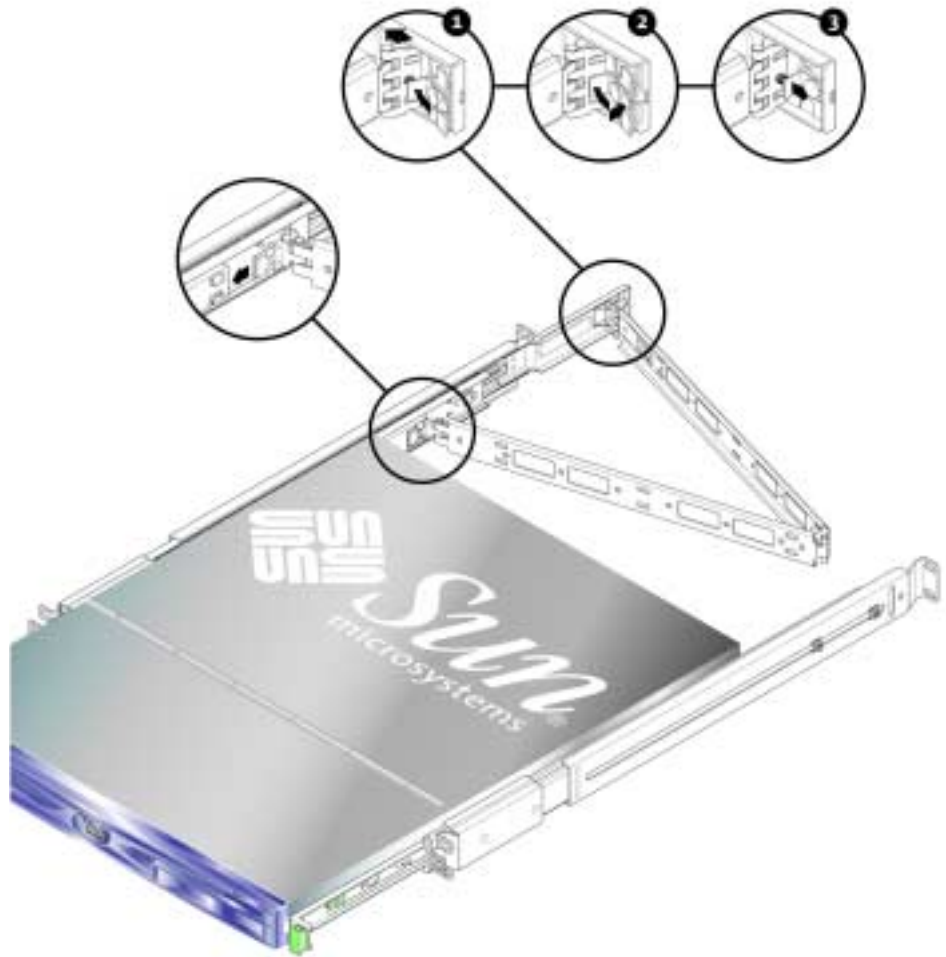


FIGURE 4 Installing the cable management arm

When you attach cabling to the cable management arm, ensure you leave enough slack for the cable management arm to extend when the slide rail assemblies are extended. See FIGURE 5.

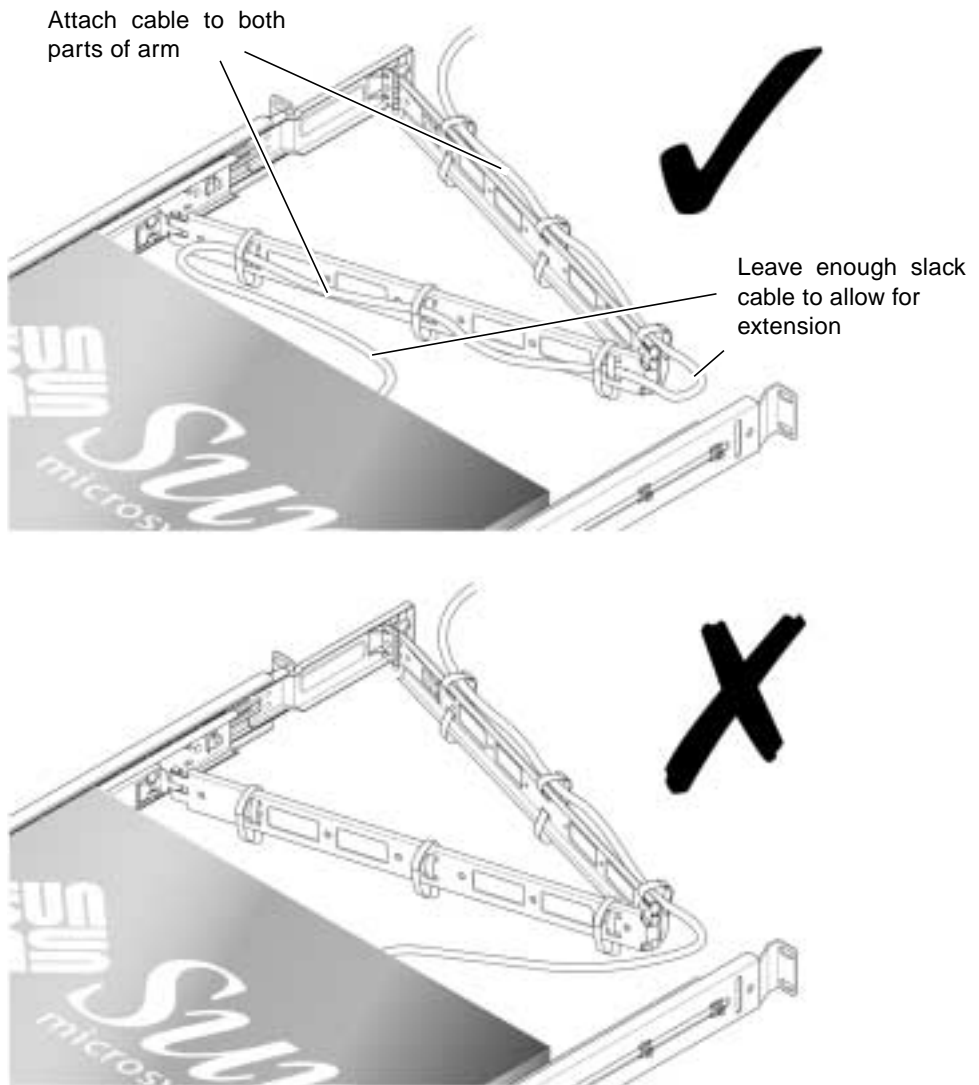


FIGURE 5 Attaching cables to the cable management arm

SunVTS Tests

XML Libraries

Before you install SunVTS you must load the SUNWlxml, SUNWlxmls, and SUNWlxmlx packages. These are not loaded by default in Solaris 8 HW 12/02. Therefore you must add them manually from the supplemental CD supplied with Solaris 8 HW 12/02. They are located in the following directory on the CD: XML_Libraries_2.4.12/Product.

To load the packages onto the server, type:

```
# cd /cdrom/cdrom0/XML_Libraries_2.4.12/Product
# pkgadd -d . SUNWlxml SUNWlxmlx SUNWlxmls
```

Additional Tests Not Included In the Manual

There are three additional tests to add to Table 5-1 in the *Sun Fire V210 and V240 Servers Administration Guide*:

TABLE 4 Additional SunVTS Tests

Test	Description
env6test	Checks temperature sensors, power supply status, fan speeds, keyswitch position. Tests LEDs by toggling them on and off.
ssptest	Verifies functionality of ALOM hardware. Tests onboard Ethernet, flash ram, SEEPROM, TOD, I2C connections from ALOM to the host system, and serial ports.
i2c2test	Verifies all available I2C devices and the system bus connection. Performs data checking for SCC and FRU seeprom devices.

Additional ALOM Information

ALOM Documentation Updates

For the most up-to-date documentation about ALOM check the following web sites:

- www.sun.com/servers (the overall product home page for servers and ALOM)
- docs.sun.com (the Sun documentation portal)

To set up and use ALOM on your server with the latest technical information, please download the latest version of the ALOM documentation from the web.

Email Delivery Alerts

If you have alerts configured for email delivery, ALOM waits for the success or failure confirmation from email delivery before sending the next alert. This affects event alerts sent to the ALOM shell and to `syslog`. If mail alerts are incorrectly configured, this could result in significant delays. These delays do not occur if email alerts are not configured.

If you are experiencing delays in alerts, check to see that the values you entered for the `mgt_mailhost` and `mgt_mailalert` configuration variables are correct. For more information about configuration variables, refer to the ALOM online help.

Do not use the `scadm resetrsc` command while upgrading firmware

If two users are running ALOM at the same time and one user issues the `scadm resetrsc` command from Solaris while the other user is updating the ALOM firmware using either the `scadm download` command or the ALOM shell command `flashupdate`, the firmware could become corrupted and cause ALOM 1.0 to be unusable.

- Do not issue the `scadm resetrsc` command until after the firmware update is complete.
- Do not issue the `scadm resetrsc` command immediately after the firmware update has taken place.

Not all console output sent to `tttyb` on initial redirect or ALOM server reset

If you have your console set to `tttyb` (10101) rather than to `tttya` (the ALOM serial port, labeled SER MGT), you may not see all the output from the console. This is because both OBP and POST send diagnostic output to `tttya` by default.

ALOM CLI command `showfru` does not report on memory DIMMs

When you issue the `showfru` command from the ALOM command shell, the command does not read the layout of the DIMMs.

Resetting the server with ALOM

If you use ALOM to reset the server and `diag-switch?` is set to true, the `bootscript` command is not executed when the server reboots. If you use OBP to reset the server, `bootscript` executes correctly.

ALOM stops generating alerts/logging when mail host cannot send email

When a mail alert occurs and the mail host is unable to communicate with the network's naming service (for example, NIS), ALOM stops generating and logging messages.

Setting the ALOM serial port speed

If you use the OpenBoot PROM (OBP) command `setenv tttya-mode` to change the speed of the ALOM serial port (SER MGT) to a value other than the default of 9600 baud, reset the host server. This sets the port speed to the specified value.

▼ To set the serial port speed back to the default value

- Type :

```
sc> bootmode reset-nvram
sc> reset
```

Do not use 16-character usernames

If you log in to ALOM with a 16-character username and execute the `showusers` command, ALOM enters a loop and refuses other connection attempts.

If you encounter this problem, telnet into the host server and use the `scadm resetrsc` command to reset ALOM.

Incorrect message is output and logged when POST failure is received

When OpenBoot PROM (OBP) reports memory DIMM errors to ALOM, it sends SC alert messages with the incorrect memory slot position for the Sun Fire V210 and V240 servers. However, the memory errors are still valid.

Swapping system configuration cards between platforms

If you remove the system configuration card (SCC) and replace it with the SCC from a system of a different platform type, the card will be reconfigured.

A message tells you when this has been done, but the system does not request confirmation before reformatting the card. Therefore, take care when swapping system configuration cards, particularly between systems of different platform types.