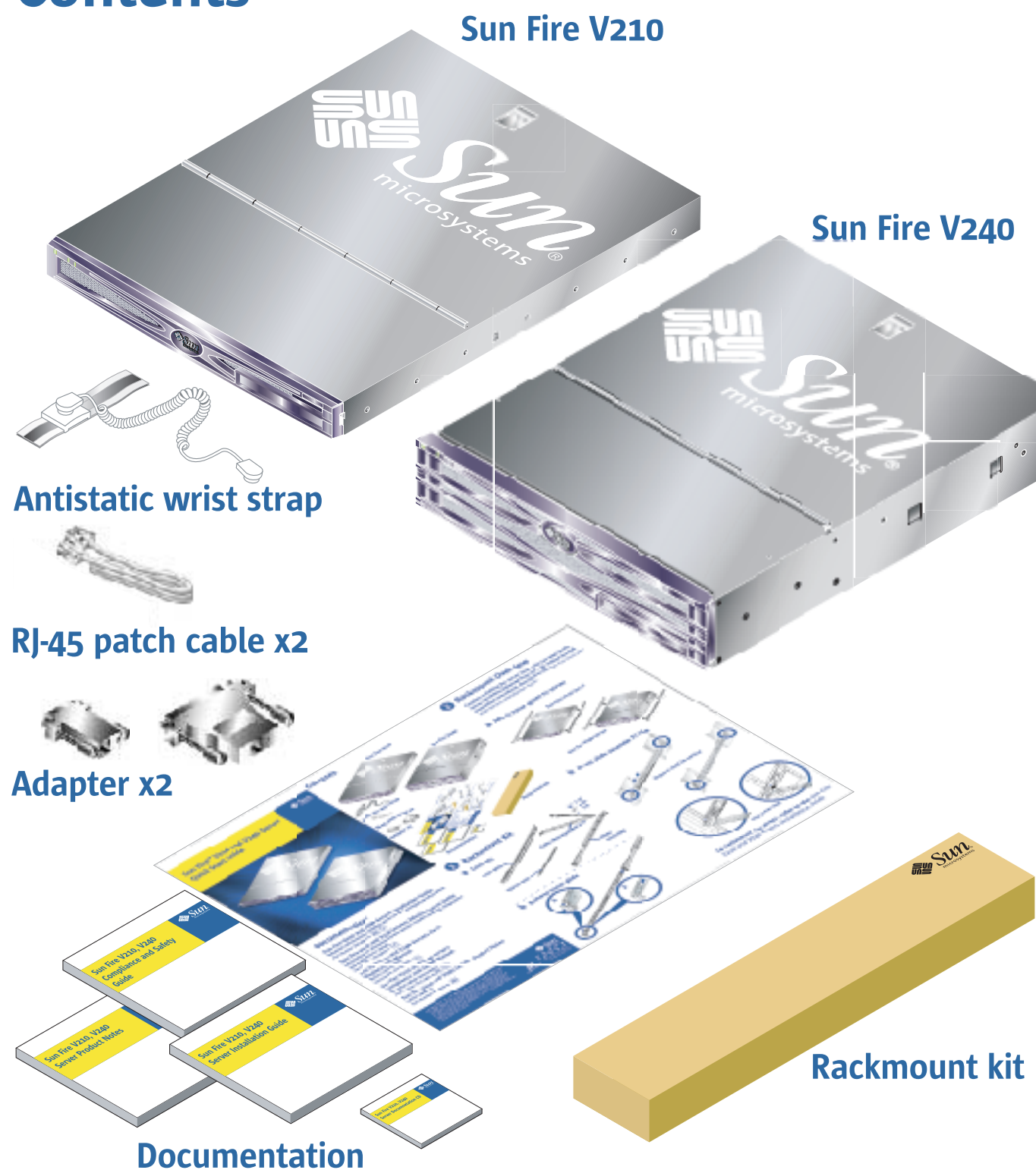


Sun Fire™ V210 and V240 Server Quick Start Guide



Contents



2 Rackmount Overview

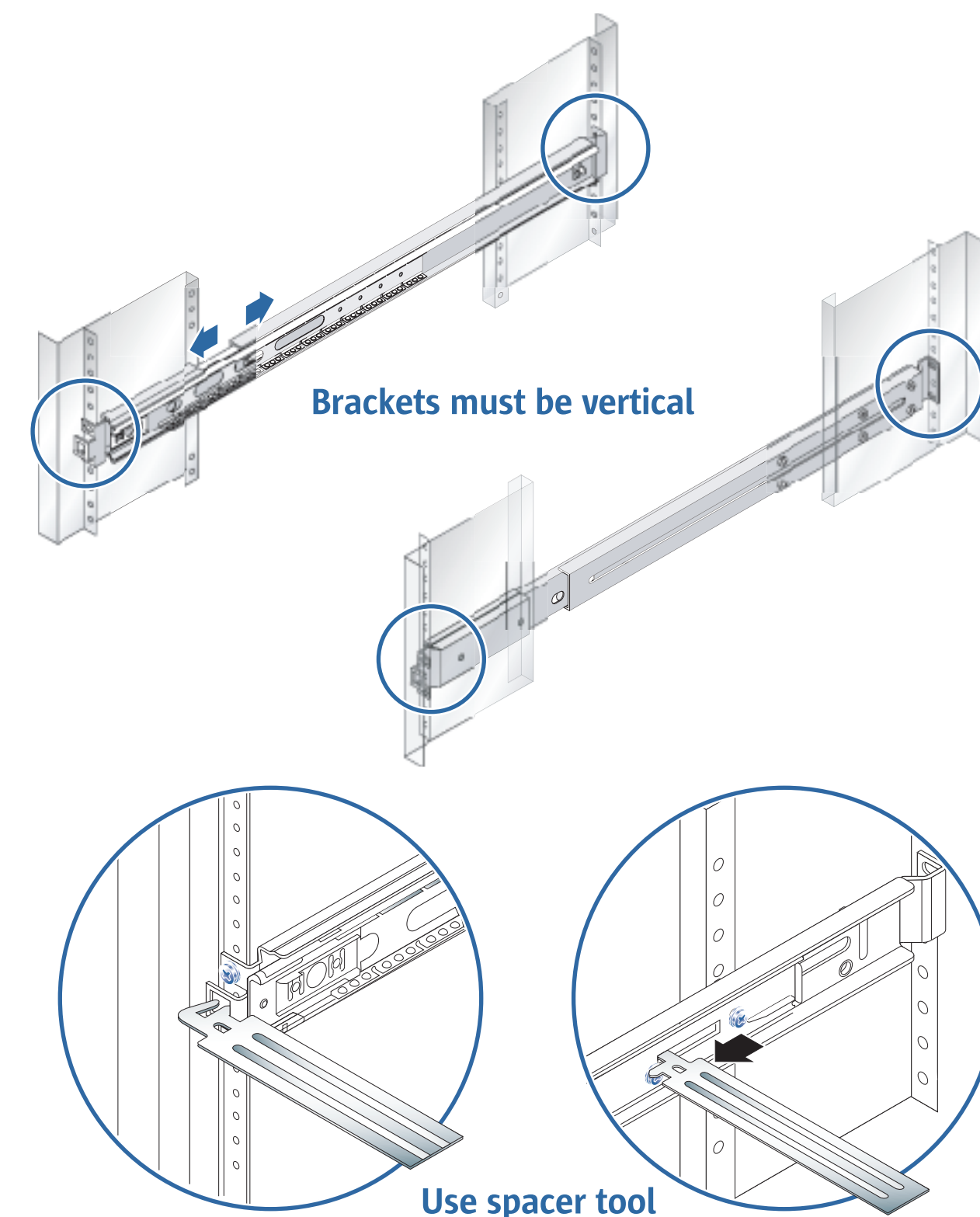


Caution: Installing the server incorrectly can lead to the server becoming detached from the rack. Follow the full installation procedures described in the *Sun Fire V210 and V240 Servers Installation Guide*.

a Attach inner glides to server



b Attach slide assembly to rack



To rackmount the server, refer to the *Sun Fire V210 and V240 Servers Installation Guide*

Documentation

Sun Fire V210 and V240 Servers Installation Guide

Detailed rackmounting, cabling, power-on and configuring information

Part Number: 816-4825-xx

Sun Fire V210 and V240 Servers Administration Guide

Information on administering the system, trouble shooting, diagnostics and maintenance details

Part Number: 816-4826-xx

Sun Fire V210 and V240 Servers Parts Replacement Manual

Service information

Part Number: 817-0043-xx

Sun Fire V210 and V240 Servers Compliance and Safety Manual

Essential safety information

Part Number: 817-1462-xx

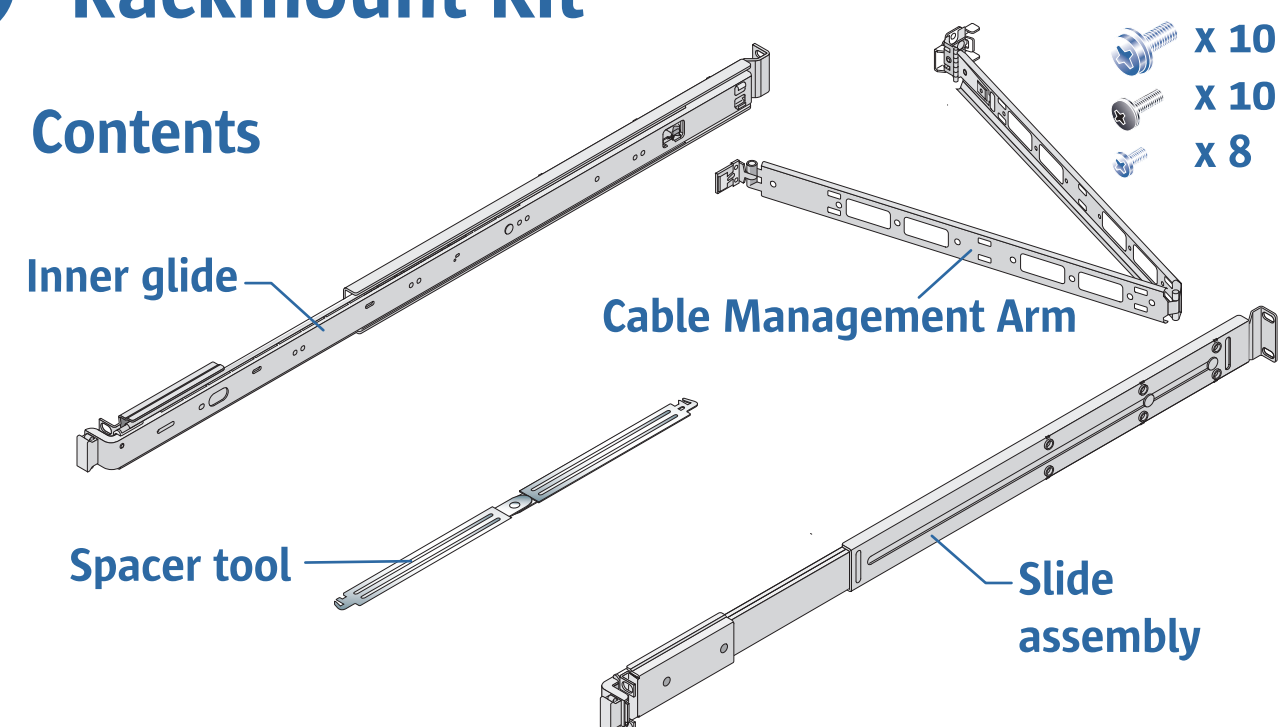
Sun Fire V210 and V240 Servers Product Notes

Latest updates

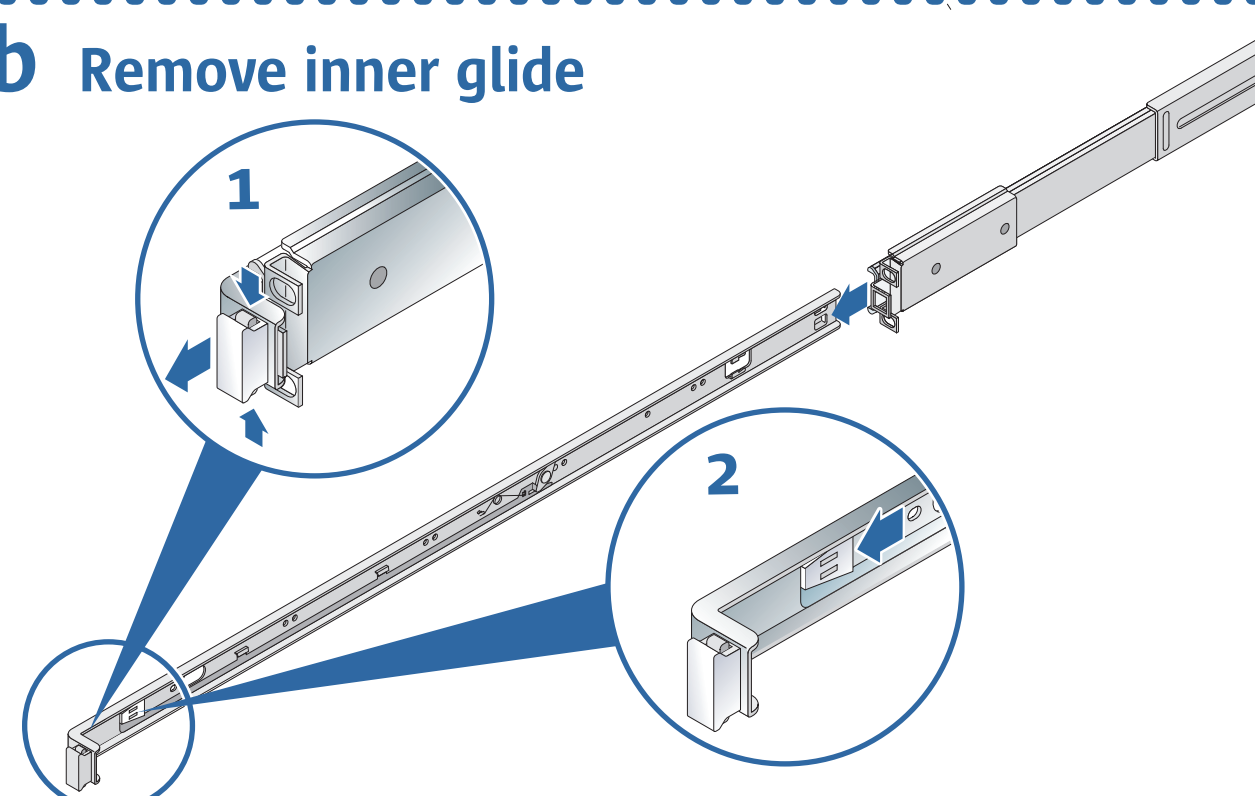
Part Number: 816-4828-xx

1 Rackmount Kit

a Contents

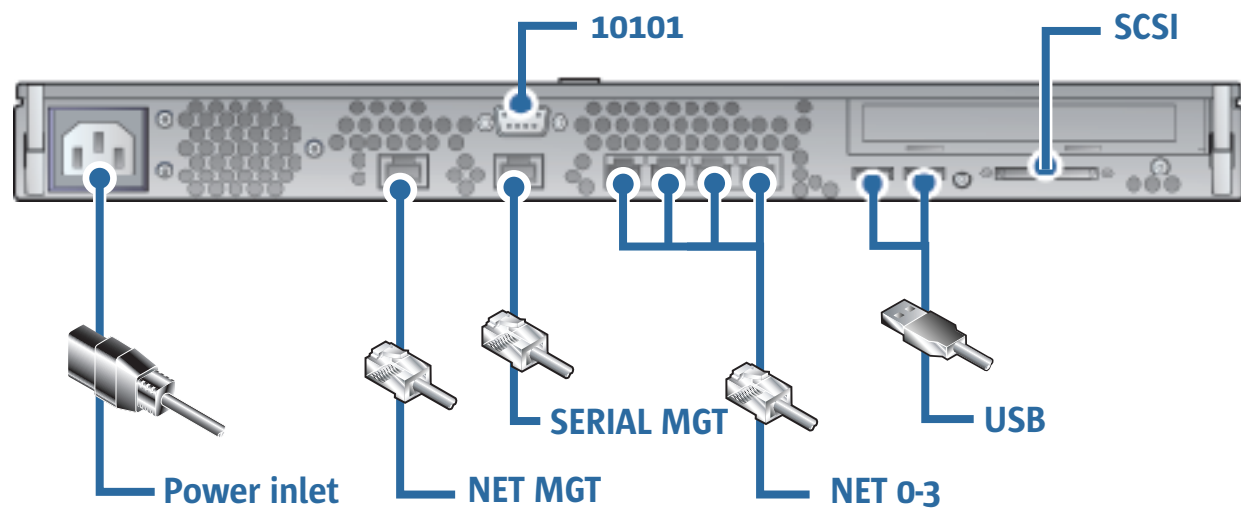


b Remove inner glide

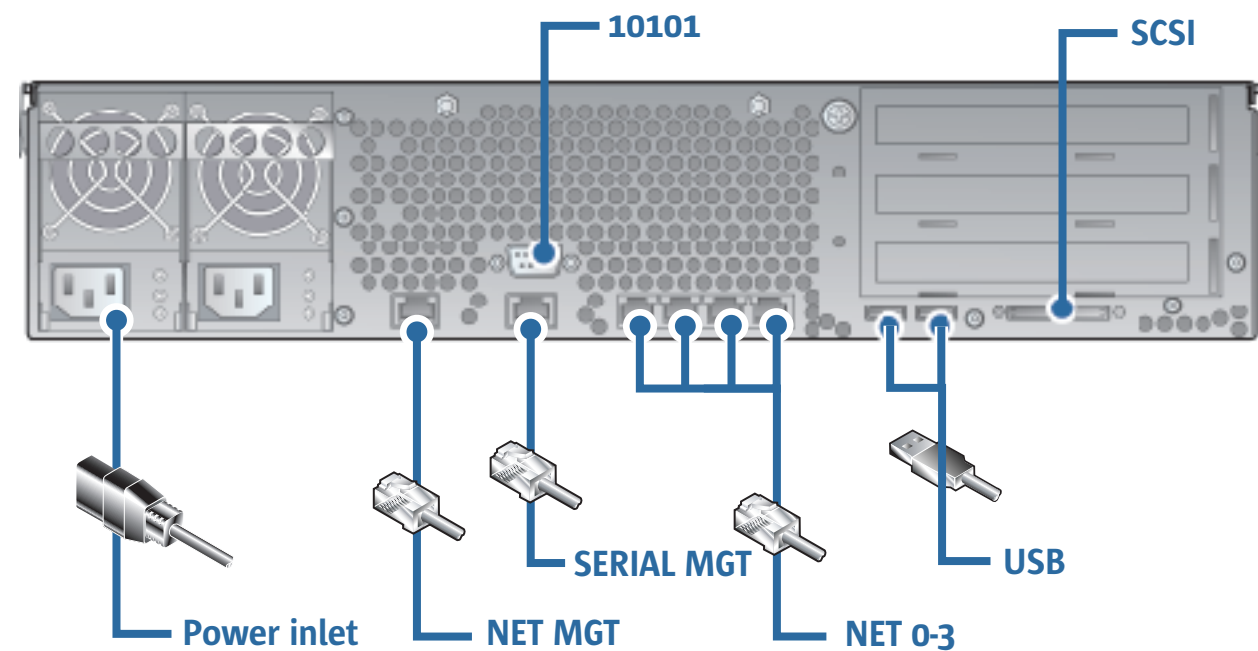


3 Attach the Cables

Sun Fire V210 Server



Sun Fire V240 Server



Power

Input Parameter	AC Inlet
Voltage (RMS)	90V to 264V
Frequency	47 Hz to 63 Hz

Ethernet Ports

NET 0-3: autonegotiating 10/100/1000Base-T

NET MGT: RJ-45 connector, use this port for making an Ethernet connection to the ALOM software.

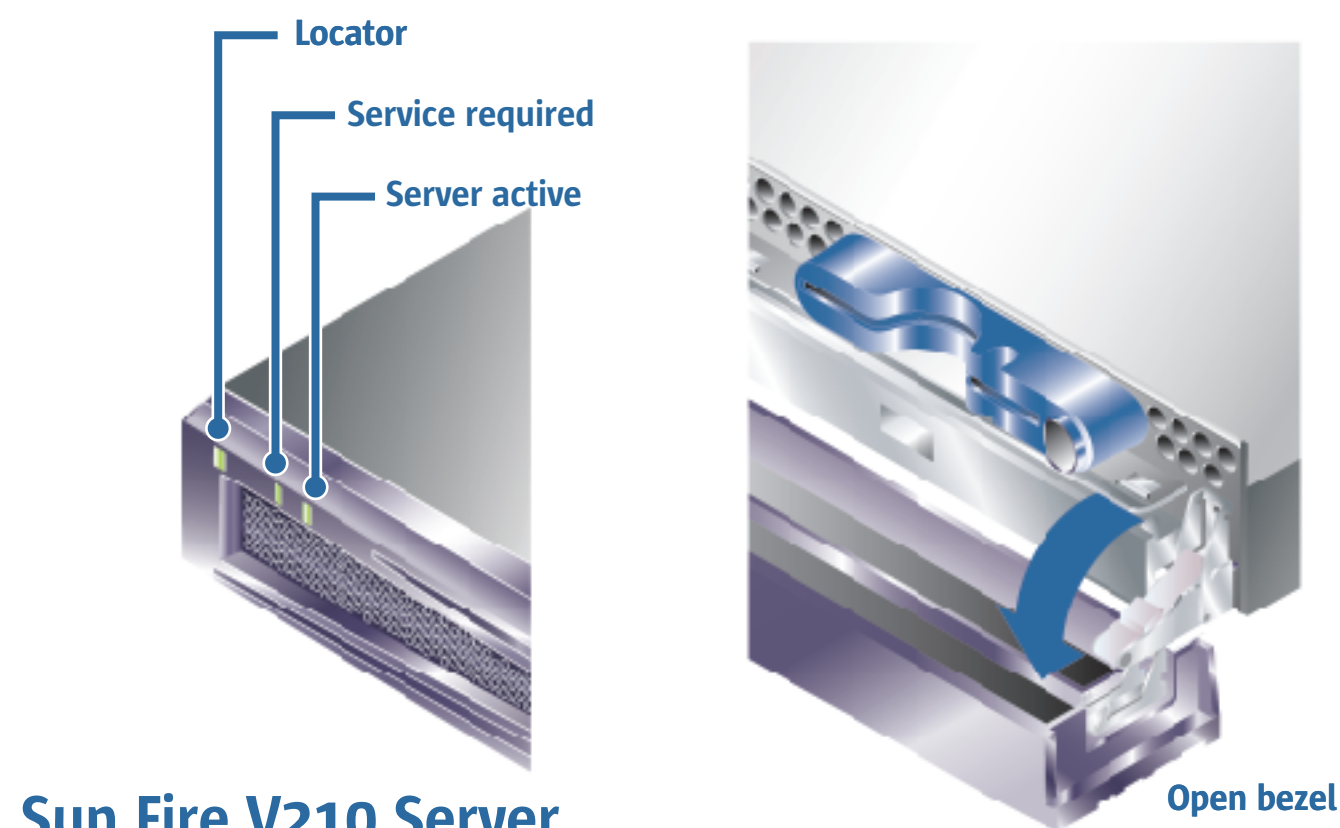
Serial Ports

SERIAL MGT : RJ-45 connector, use this port for server management using the ALOM software.

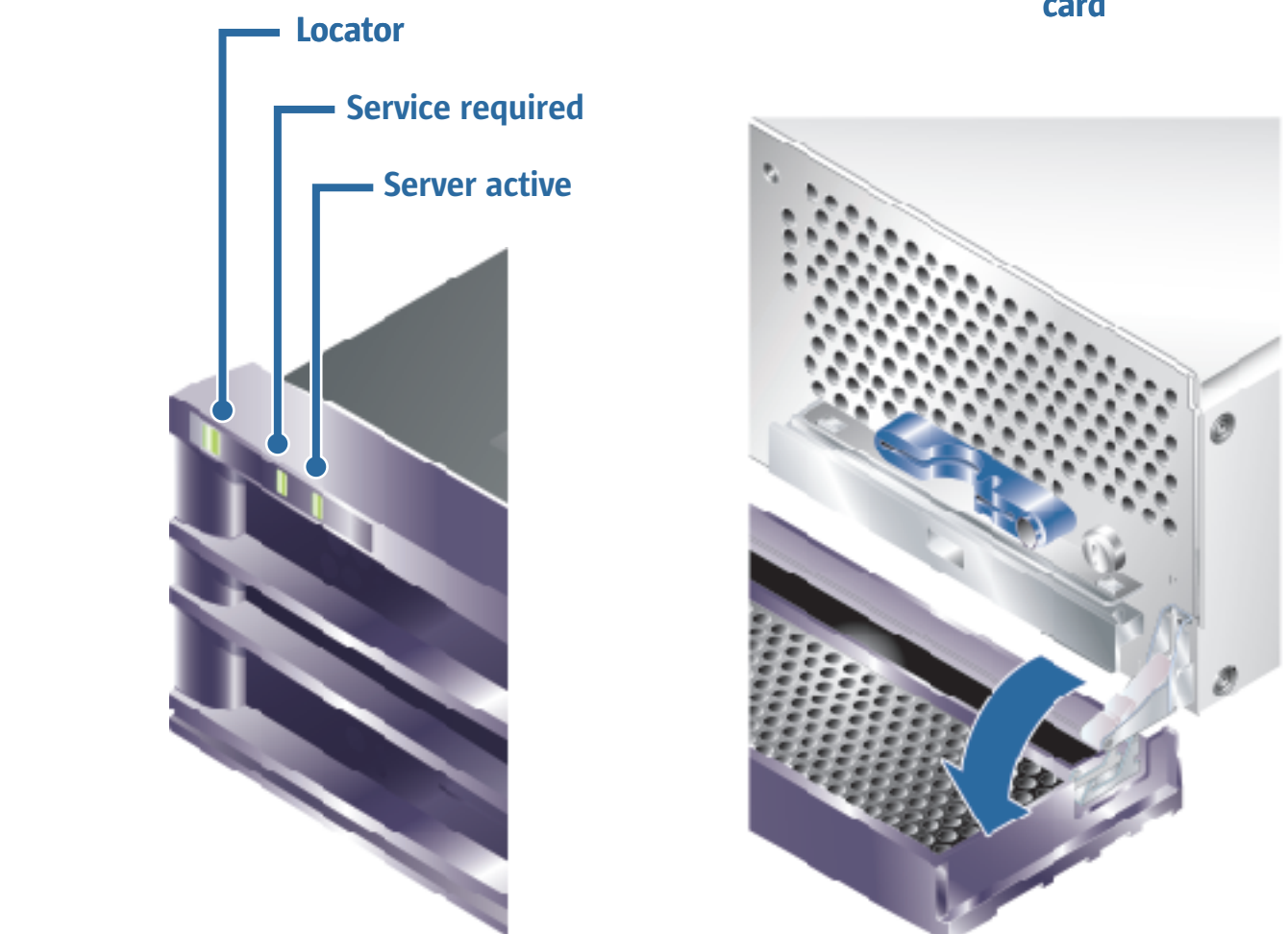
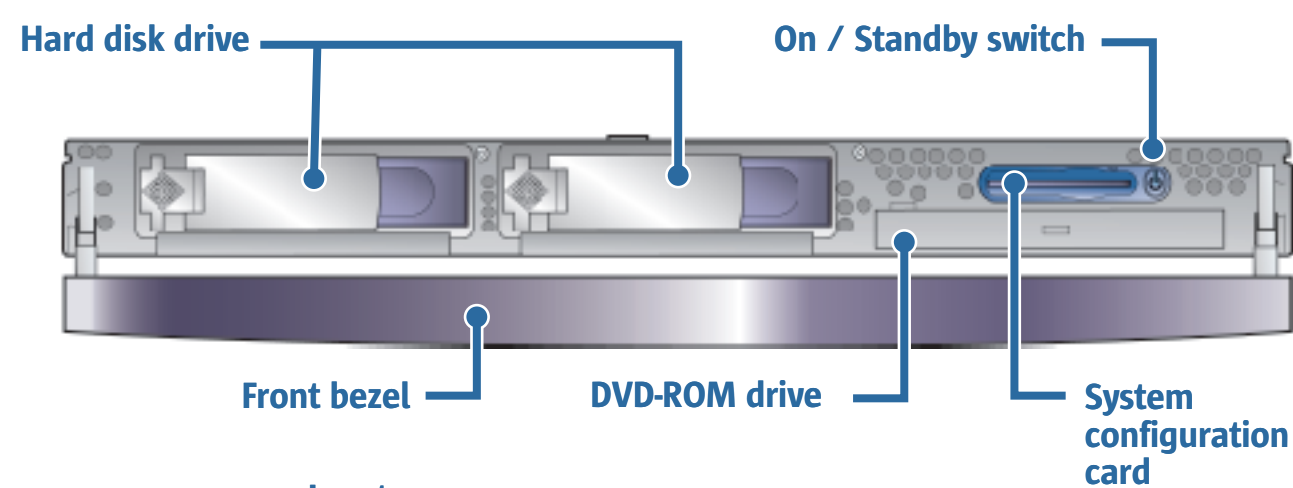
10101: DB-9 connector, use this port for general purpose serial data transfer.

- See the *Sun Fire V210 and V240 Server Installation Guide* for more details.

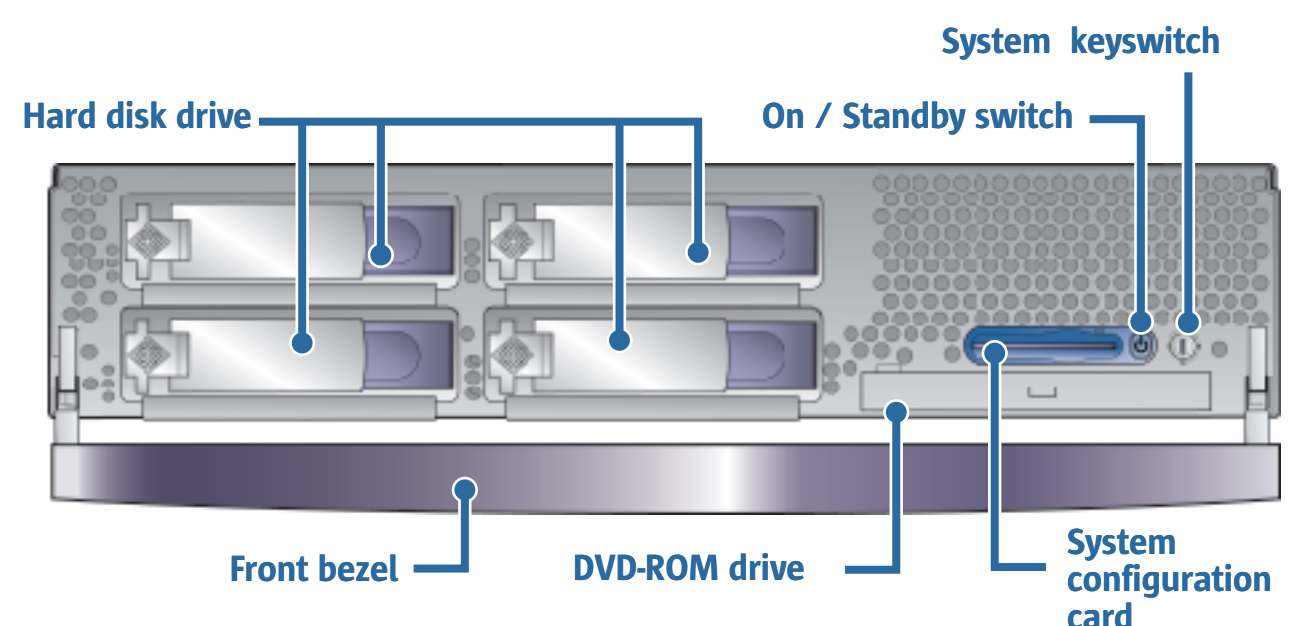
4 Front Panel



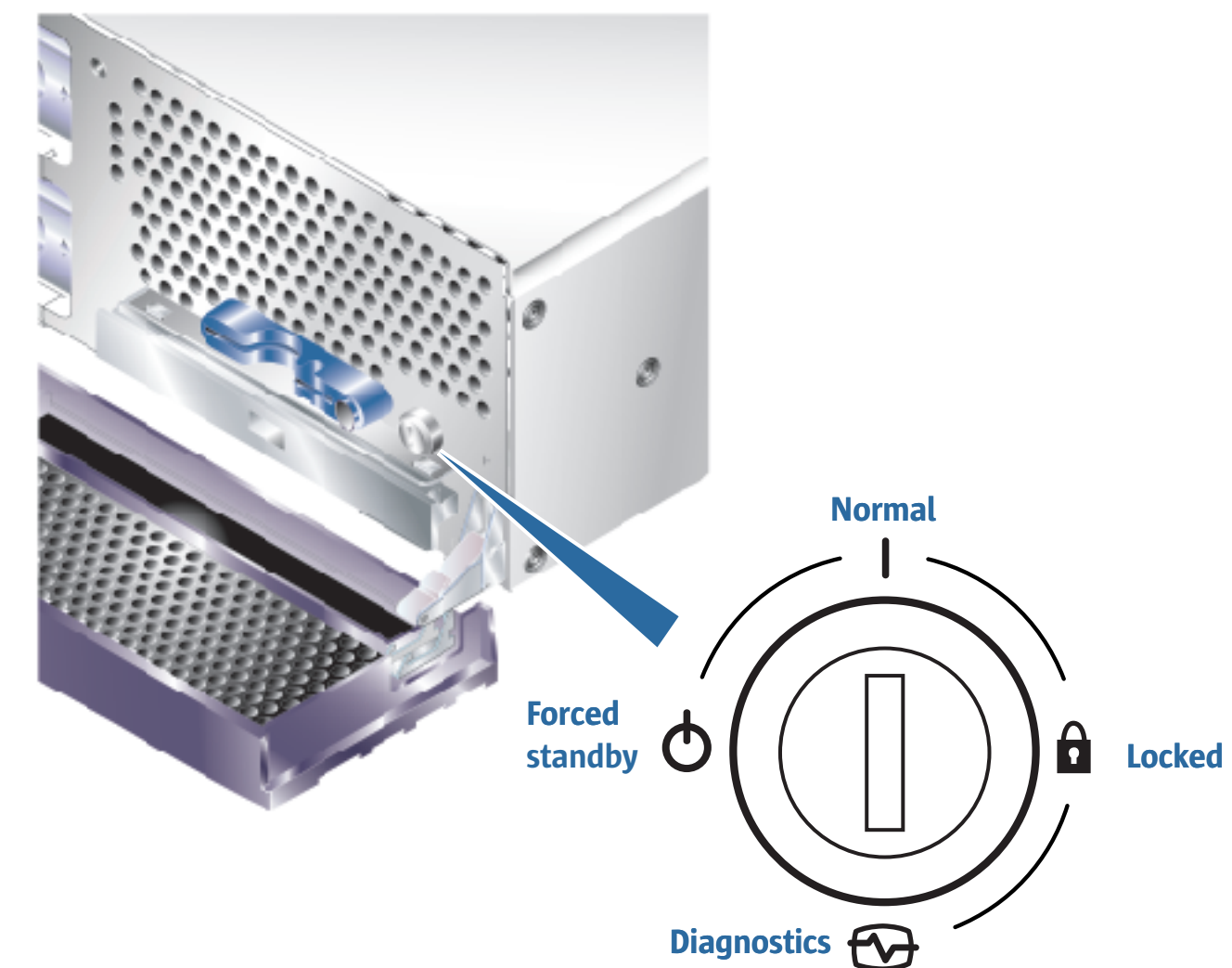
Sun Fire V210 Server



Sun Fire V240 Server



5 Sun Fire V240 Server Keyswitch Positions



Ensure keyswitch is in Normal (|) position before continuing (Sun Fire V210 Server does not have a keyswitch).

Server Power On and Operation

1. Set up a console connection to the server using the server's SERIAL MGT port.
2. Power on either from the keyboard or by using the On/Standby switch.

Note: the server goes into Standby power mode as soon as the power cable is connected to the power inlet.

- See the *Sun Fire V210 and V240 Server Installation Guide* for more details.