

Adjusting the Leveling Pads

After moving the system to its operating location, lower the leveling pads to raise the casters off the floor.

1. **Remove the leveling wrench from inside of the system.**
2. **Use the leveling wrench to lower the leveling pads at the four corners of the cabinet frame so that the casters cannot roll.**
3. **(Optional) For additional protection to prevent movement of the cabinet, insert the bolt-down brackets in the slots at the bottom of the cabinet and secure the brackets to the floor.**
4. **Secure the leveling wrench inside the cabinet with the plastic strap.**

Shipping and Storing the System

Save the original shipping container and packing materials in case you need to store or ship your system.

If you cannot store the shipping materials, recycle or dispose of the materials properly. Consult your local recycling authority for information.

Accessing Sun Documentation Online

The `docs.sun.com`SM web site enables you to access a select group of Sun technical documentation on the Web. You can browse the `docs.sun.com` archive or search for a specific book title or subject at:

<http://docs.sun.com>

Ordering Sun Documentation

Fatbrain.com, an Internet professional bookstore, stocks select product documentation from Sun Microsystems, Inc. For a list of documents and how to order them, visit the Sun Documentation Center on Fatbrain.com at:

<http://www.fatbrain.com/documentation/sun>

Sun Welcomes Your Comments

Sun is interested in improving its documentation and welcomes your comments and suggestions. You can email your comments to Sun at:

docfeedback@sun.com

Please include the part number (806-7746-10) of the document in the subject line of your email.

Sun Fire™ Cabinet Unpacking Guide

Copyright 2001 Sun Microsystems, Inc. All rights reserved. Use is subject to license terms. Third-party software, including font technology, is copyrighted and licensed from Sun suppliers. Sun, Sun Microsystems, the Sun logo, AnswerBook2, docs.sun.com, and Sun Fireare trademarks, registered trademarks, or service marks of Sun Microsystems, Inc. in the U.S. and other countries. Federal Acquisitions: Commercial Software—Government Users Subject to Standard License Terms and Conditions.

Copyright 2001 Sun Microsystems, Inc. Tous droits réservés. Distribué par des licences qui en restreignent l'utilisation. Le logiciel détenu par des tiers, et qui comprend la technologie relative aux polices de caractères, est protégé par un copyright et licencié par des fournisseurs de Sun. Sun, Sun Microsystems, le logo Sun, AnswerBook2, docs.sun.com, et Sun Firesont des marques de fabrique ou des marques déposées, ou marques de service, de Sun Microsystems, Inc. aux Etats-Unis et dans d'autres pays.



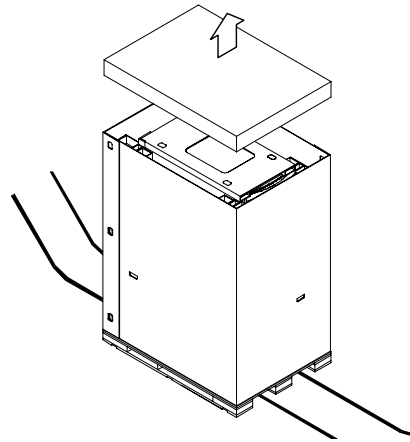
Sun Microsystems, Inc., 901 San Antonio Road, Palo Alto, CA 94303-4900 U.S.A.
650 960-1300, Fax 650 969-9131



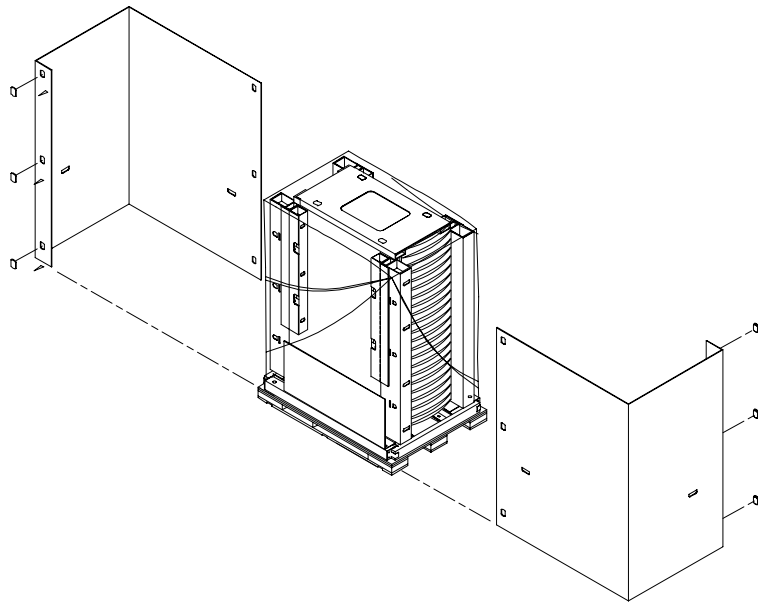
Note – When you receive a preconfigured system in a Sun Fire™ Cabinet, leave it in the shipping crate for 24 hours to prevent thermal shock and condensation.

Unpacking the Sun Fire Cabinet

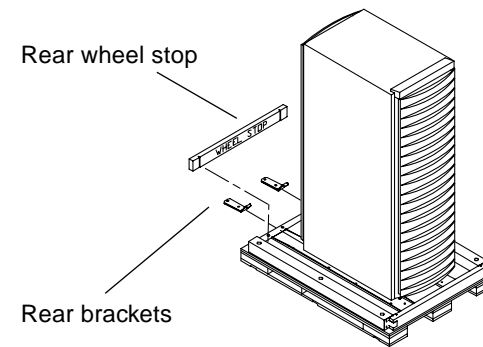
1. Remove the bands and cap from the shipping carton.



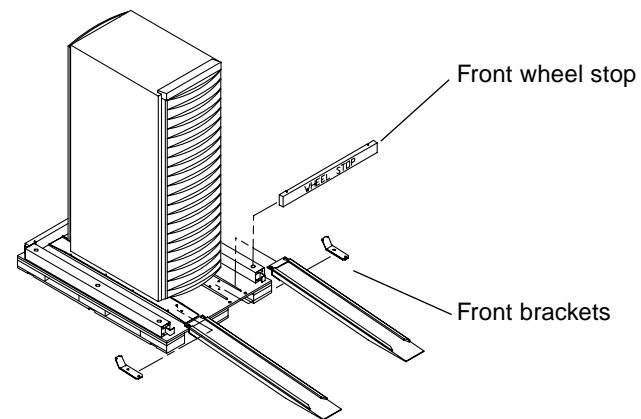
2. Remove the plastic clips that keep the two main sections of the shipping carton together.



3. Remove the plastic bag that covers the system and remove the ramps.
4. Unlock the rear door of the cabinet with the system keys and remove the leveling wrench that is attached to the upper-rear of the cabinet frame.
System keys are attached to either the front or rear door. The wrench is attached by a reusable plastic strap. Do not cut the strap.
 - a. Press the plastic tab to unlock the strap.
 - b. Loosen the strap to remove the wrench.
5. Remove the rear wheel stop, use the leveling wrench to remove the rear brackets, then replace the rear wheel stop to prevent the cabinet from slipping off the shipping pallet.



6. Remove the front wheel stop, position the ramps using the metal tab that is attached to each ramp, then remove the front brackets.



Note – The brackets can be used later to bolt the cabinet to the floor.

7. Use the leveling wrench to raise the leveling pads so that the casters beneath the cabinet roll freely.
8. Secure the leveling wrench back in the cabinet with the plastic strap and close the front and rear doors.
9. Slowly roll the cabinet off the shipping pallet and to its operating location.



Caution – Three or more people are needed to move the system safely. Two people must control the movement of the cabinet from the sides while the third pushes slowly from the rear. To prevent the cabinet from tipping over, push or pull only along the middle of the cabinet.

