



Netra™ T4 AC100/DC100 Compliance and Safety Manual

Guide de conformité et de sécurité
Konformitäts-und Sicherheitshandbuch
Manuale della conformità e della sicurezza
Manual sobre seguridad y cumplimiento de normativas
Information om föreskrifter och säkerhet

適合と安全の手引き

안전 및 준수 설명서

符合性和安全性手冊

相符性與安全性手冊

Sun Microsystems, Inc.
901 San Antonio Road
Palo Alto, CA 94303-4900 U.S.A.
650-960-1300

Part No. 806-7335-11
October 2001, [Revision A](#)

[Send comments about this document to: docfeedback@sun.com](mailto:docfeedback@sun.com)

Copyright 2001 Sun Microsystems, Inc., 901 San Antonio Road, Palo Alto, CA 94303-4900 U.S.A. All rights reserved.

This product or document is distributed under licenses restricting its use, copying, distribution, and decompilation. No part of this product or document may be reproduced in any form by any means without prior written authorization of Sun and its licensors, if any. Third-party software, including font technology, is copyrighted and licensed from Sun suppliers.

Parts of the product may be derived from Berkeley BSD systems, licensed from the University of California. UNIX is a registered trademark in the U.S. and other countries, exclusively licensed through X/Open Company, Ltd.

Sun, Sun Microsystems, the Sun logo, AnswerBook2, docs.sun.com, Netra, Netra ft, and Solaris are trademarks, registered trademarks, or service marks of Sun Microsystems, Inc. in the U.S. and other countries. All SPARC trademarks are used under license and are trademarks or registered trademarks of SPARC International, Inc. in the U.S. and other countries. Products bearing SPARC trademarks are based upon an architecture developed by Sun Microsystems, Inc.

The OPEN LOOK and Sun™ Graphical User Interface was developed by Sun Microsystems, Inc. for its users and licensees. Sun acknowledges the pioneering efforts of Xerox in researching and developing the concept of visual or graphical user interfaces for the computer industry. Sun holds a non-exclusive license from Xerox to the Xerox Graphical User Interface, which license also covers Sun's licensees who implement OPEN LOOK GUIs and otherwise comply with Sun's written license agreements.

Federal Acquisitions: Commercial Software—Government Users Subject to Standard License Terms and Conditions.

DOCUMENTATION IS PROVIDED "AS IS" AND ALL EXPRESS OR IMPLIED CONDITIONS, REPRESENTATIONS AND WARRANTIES, INCLUDING ANY IMPLIED WARRANTY OF MERCHANTABILITY, FITNESS FOR A PARTICULAR PURPOSE OR NON-INFRINGEMENT, ARE DISCLAIMED, EXCEPT TO THE EXTENT THAT SUCH DISCLAIMERS ARE HELD TO BE LEGALLY INVALID.



Contents

Part I. Compliance Statements

- 1. Declaration of Conformity 1**
- 2. USA – Electromagnetic Compatibility Information 5**
- 3. European Union Notice 9**
- 4. Canada 11**
- 5. VCCI Statements 15**
- 6. BSMI Class A Notice 17**

Part II. Safety

- 7. Safety 21**
 - Sécurité 30**
 - Sicherheit 39**
 - Sicurezza 48**
 - Seguridad 57**
 - Säkerhet 66**

安全のための注意事項 76

안전사항 85

安全性 94

安全性 102

PART I Compliance Statements

This part contains the following Compliance Statements:

- USA Electromagnetic Compatability Information on page 5
- European Union Notice on page 9
- Renseignements de compatibilité électromagnetique – Canada on page 11
- Electromagnetic Compatibility Information – Canada on page 12
- VCCI Statements on page 15

Declaration of Conformity

Compliance Model Number: LW2PA
Product Name: Netra T4 AC100

EMC

USA—FCC Class A

This device complies with Part 15 of the FCC Rules. Operation is subject to the following two conditions:

1. This device may not cause harmful interference.
2. This device must accept any interference received, including interference that may cause undesired operation.

European Union

This equipment complies with the following requirements of the EMC Directive 89/336/EEC

As Telecommunications Network Equipment (TNE) in Telecom Centres Only:

EN300-386:2000	EN55022/CISPR22	Class A
EN55024:1988/CISPR24:1997		Required Limits (as applicable)
EN300-386:2000		Subclause 6.2 (AC port Conducted Emissions 150kHz-30MHz)
EN61000-3-2		Pass
EN61000-3-3		Pass
EN61000-4-2		Criteria B: 4kV (Direct), 4kV (Air) Criteria R: 8kV (Direct), 15kV (Air)
EN61000-4-3		3V/m (Passed at 10V/m)
EN61000-4-4		1kV Power Lines, 0.5kV Signal Lines
EN61000-4-5		Criteria B: 1kV AC Line-Gnd and Outdoor Signal Lines, 0.5kV AC Line-Line and Indoor Signal Lines (not performed) Criteria R: 1kV AC Line-Line, 2kV AC Line-Gnd, 4kV Outdoor Signal Lines as applicable
EN61000-4-6		3V

As Information Technology Equipment (ITE) Class A per:

EN55022:1998/CISPR22:1997	Class A
EN550024:1998/CISPR24:1997	Required limit (as applicable)
EN61000-4-2	4kV (Direct), 8kV (Air)
EN61000-4-3	3V/m (Passed at 10V/m)
EN61000-4-4	1kV AC Power Lines, 0.5kV Signal and DC Power Lines
EN61000-4-5	1kV AC Line-Line and Outdoor Signal Lines, 2kV AC Line-GND
EN61000-4-6	3V
EN61000-4-11	Pass
EN61000-3-2:1995 + A1, A2	Pass
EN61000-3-3:1995	Pass

Safety

This equipment complies with the following requirements of the Low Voltage Directive 73/23/EEC:

EC Type Examination Certificates:

EN60950:1992, 2nd Edition, Amendments 1,2,3,4,11	LGA Certificate No.
IEC 950:1991, 2nd Edition, Amendments 1,2,3,4	CB Scheme Certificate No.
Evaluated to all CB Countries	

Supplementary Information

This product was tested and complies with all the requirements for the CE Mark.

Jeremy Rolls
Manager, Mid Range NETRA T Servers
Sun Microsystems Ltd
Trinity Court, Wokingham Road
Bracknell, Berkshire RG42 1PL
United Kingdom
Tel: +44 (0)1344 316700
Fax: +44 (0)1344 300704

Peter Arkless
Quality Manager
Sun Microsystems Scotland Ltd
Springfield, Linlithgow
West Lothian EH49 7LR
Scotland, United Kingdom
Tel: +44 (0)506 670000
Fax: +44 (0)506 760011

Compliance Model Number: LW2PD
Product Name: Netra T4 DC100

EMC

USA—FCC Class A

This device complies with Part 15 of the FCC Rules. Operation is subject to the following two conditions:

1. This device may not cause harmful interference.
2. This device must accept any interference received, including interference that may cause undesired operation.

European Union

This equipment complies with the following requirements of the EMC Directive 89/336/EEC

As Telecommunications Network Equipment (TNE) in Telecom Centres Only:

EN300-386:2000	EN55022/CISPR22	Class A
EN55024:1988/CISPR24:1997		Required Limits (as applicable)
	EN300-386:2000	Subclause 6.2 (AC port Conducted Emissions 20kHz-30MHz)
	EN61000-4-2	Criteria B: 4kV (Direct), 4kV (Air) Criteria R: 8kV (Direct), 15kV (Air)
	EN61000-4-3	3V/m (Passed at 10V/m)
	EN61000-4-4	0.5kV Signal and DC Power Lines
	EN61000-4-5	0.5kV Indoor Signal Lines (not performed) 1kV Outdoor Signal Lines as applicable
	EN61000-4-6	3V

As Information Technology Equipment (ITE) Class A per:

EN55022:1998/CISPR22:1997	Class A	
EN550024:1998/CISPR24:1997	Required limit (as applicable)	
	EN61000-4-2	4kV (Direct), 8kV (Air)
	EN61000-4-3	3V/m (Passed at 10V/m)
	EN61000-4-4	0.5kV Signal and DC Power Lines
	EN61000-4-5	1kV Signal Lines, 0.5kV DC Power Lines

Safety

This equipment complies with the following requirements of the Low Voltage Directive 73/23/EEC:

EC Type Examination Certificates:

EN60950:1992, 2nd Edition, Amendments 1,2,3,4,11	LGA Certificate No.
IEC 950:1991, 2nd Edition, Amendments 1,2,3,4	CB Scheme Certificate No.
Evaluated to all CB Countries	

Supplementary Information

This product was tested and complies with all the requirements for the CE Mark.

Jeremy Rolls
Manager, Mid Range NETRA T Servers

Sun Microsystems Ltd
Trinity Court, Wokingham Road
Bracknell, Berkshire RG42 1PL
United Kingdom

Tel: +44 (0)1344 316700
Fax: +44 (0)1344 300704

Peter Arkless
Quality Manager

Sun Microsystems Scotland Ltd
Springfield, Linlithgow
West Lothian EH49 7LR
Scotland, United Kingdom

Tel: +44 (0)506 670000
Fax: +44 (0)506 760011

USA – Electromagnetic Compatibility Information

System Classes

Please read all of the following information to determine the class of system you have and the environment in which it should be installed and operated.

In the United States, the Federal Communications Commission (FCC) governs the levels of electromagnetic emissions from a digital device. Electromagnetic emissions can interfere with radio and television transmission. To reduce the risk of harmful interference, the FCC has established requirements for manufacturers of digital devices.

A manufacturer of a digital device must test and label the product to inform an end-user of the maximum emission level from the product when used in accordance with its instructions. The FCC has established two classes of levels, Class A and Class B. A system that meets the FCC Class A requirements may be marketed for use in an industrial or a commercial area. A system that meets the more stringent FCC Class B requirements may be marketed for use in a residential area in addition to use in an industrial or a commercial area.

An end-user in the United States is responsible for ensuring that his system is suitable for its environment as stated in the above paragraph and bears the financial responsibility for correcting harmful interference.

For a system to be considered an FCC Class B system, all peripherals of the system (workstation, monitor, keyboard, mouse, external disk and tape drives, modem, printer, etc.) must be labeled as such. If any peripheral or the system itself is labeled as FCC Class A, the entire system becomes FCC Class A and should not be used in a residential area.

To determine if your system is FCC Class A or FCC Class B, you must check the marking on each peripheral and on your workstation. Each piece of equipment should have an FCC statement marked on the unit. The FCC statement should identify the equipment as Class A or Class B. If there is no indication of the Class in the FCC statement, consider it to be Class A unless there is a mark which states 'FCC ID:' followed by alphanumeric characters. If it has this FCC ID mark, it is Class B. If any of the peripherals in your system is not marked with an FCC statement, the equipment should not be used in a home because of the greater likelihood of interference to radio and television reception. Contact the manufacturer of the peripheral if you have any questions.

Modifications

If the end-user adds dual in-line memory modules (DIMMs) or internal drives or PCI cards to the system, the FCC Class of the machine could be affected. All DIMMs and internal drives offered by Sun for use in a Sun™ product have been tested and will not change the FCC Class labeled on the product if it is installed per the instructions in the Sun product installation guide.

If memory, drives, or PCI cards are purchased from sources other than Sun, the FCC Class of the system may be adversely affected. Modifications not approved by Sun may void the authority granted by the FCC to operate the equipment.

Shielded Cables

Connections between the system and other external equipment must be made using shielded cables, earthed at both ends, in order to maintain compliance with FCC radio frequency emission limits. System and other external equipment may also be connected employing fibre optic cable lines if applicable to the port.

FCC Class A Notice

This equipment has been tested and found to comply with the limits for a Class A digital device, pursuant to Part 15 of the FCC Rules. These limits are designed to provide reasonable protection against harmful interference when the equipment is operated in a commercial environment. This equipment generates, uses, and can radiate radio frequency energy and, if not installed and used in accordance with the Sun Installation Guide, may cause harmful interference to radio communications. Operation of this equipment in a residential area is likely to cause harmful interference, in which case the user will be required to correct the interference at his own expense.

FCC Class B Notice

This equipment has been tested and found to comply with the limits for a Class B digital device, pursuant to Part 15 of the FCC Rules. These limits are designed to provide reasonable protection against harmful interference when the equipment is operated in a residential installation. This equipment generates, uses, and can radiate radio frequency energy and, if not installed and used in accordance with the Sun Installation Guide, may cause harmful interference to radio communications. However, there is no guarantee that interference will not occur in a particular installation. If the equipment does cause harmful interference to radio or television reception, which can be determined by turning the equipment off and on, the user is encouraged to try to correct the interference by one or more of the following measures:

- Re-orient or relocate the receiving antenna.
- Increase the separation between the equipment and the receiver.
- Connect the equipment into an outlet on a circuit different from that to which the receiver is connected.
- Consult the dealer or an experienced radio or television technician for help.

European Union Notice

English

Products with the CE marking comply with the protection requirements of the following EU Directives:

- EMC Directive 89/336/EEC, as amended by 93/68/EEC, by application of the following harmonised standards:

EN 55022:	1998—Electromagnetic Interference
EN 50024:	1998—Electromagnetic Immunity

Warning – This is a Class A product. In a domestic environment, this product may cause radio interference in which case the user may be required to take adequate measures to correct this interference.

- Low Voltage Directive 73/23/EEC, as amended by 93/68/EEC, by application of the following harmonised standard:

EN60950:	1992 AM/11: 1997, Safety of Information Technology Equipment, including Electrical Business Equipment.
----------	--

To Ensure Compliance

The following additional components or accessories are required:

1. Shielded cables having earthed metal shells shall be used for connection to all input/output ports.
2. The system must be reliably connected to earth using the system earth stud.

Français

Garantie de Conformité

Les composants et accessoires suivants sont requis :

1. Des câbles blindés équipés de fiches en métal doivent être utilisés pour toutes les connexions aux raccordements d'entrée/ de sortie de l'appareil.
2. Le système doit être mis à la terre conformément aux prescriptions.

Deutsch

Sicherstellen der Konformität

Die folgenden Zubehörteile und zusätzlichen Komponenten werden benötigt

1. Für alle Verbindungen zu den Anschlüssen des Gerätes sollen abgeschirmte Kabel verwendet werden, die mit Metallsteckern ausgerüstet sind.
2. Das System muß stets vorschriftsmäßig geerdet sein.

Canada

Renseignements de compatibilité électromagnétique – Canada

Communications Canada (c'est-à-dire le DOC, Ministère des Communications) réglemente les dispositifs numériques de façon analogue aux prescriptions de la FCC (Commission fédérale des communications) aux Etats Unis. Chaque produit doit être étiqueté ou livré avec une documentation spécifiant sa classe. Le DOC définit, comme le fait la FCC, l'environnement dans lequel un dispositif numérique doit être utilisé. La classe A, spécifiée par le DOC, s'applique aux zones industrielles ou commerciales, alors que la classe B s'applique aux zones résidentielles, industrielles ou commerciales.

Comme il en est le cas avec la FCC, chaque périphérique d'un système doit répondre aux spécifications de la classe B définie par le DOC afin qu'un système puisse être considéré comme faisant partie de cette classe. Si un périphérique ou un poste de travail quelconque appartient à la classe A, le système appartient alors à la classe A définie par le DOC et par conséquent ne doit pas être mis en service dans une zone résidentielle.

Au Canada il revient à l'utilisateur de s'assurer que son système est approprié pour l'environnement auquel il appartient, tel que spécifié dans le paragraphe ci-dessus.

Si des unités internes ou des barrettes de mémoire DIMM sont ajoutées à un poste de travail, la classe du DOC de la machine risque d'être affectée. Toutes les unités internes et barrettes de mémoire DIMM offertes par Sun et destinées à être utilisées sur un poste de travail Sun ont été soumises à des essais. Elles ne changeront pas la classe du DOC figurant sur le poste de travail si l'installation est conformée aux

instructions spécifiées dans le Guide d'installation Sun. Si l'utilisateur se procure des unités et des barrettes de mémoire ailleurs que chez Sun, la classe du poste de travail définie par le DOC risque d'être défavorablement affectée.

Avis NMB-003, Classe A#

Cet appareil numérique de la classe A est conforme à la norme NMB-003 du Canada.

Avis NMB-003, Classe B#

Cet appareil numérique de la classe B est conforme à la norme NMB-003 du Canada.

Electromagnetic Compatibility Information – Canada

Communications Canada (i.e., the Department of Communications) regulates digital devices similar to the FCC in the United States. Every product should be labeled or provided with documentation that states the class of the product. The DOC defines the environment in which a digital device should be used as the FCC does, DOC Class A is for an industrial or a commercial area and DOC Class B is for a residential, an industrial, or a commercial area.

As it is with the FCC, every peripheral of a system must meet DOC Class B levels in order for a system to be considered DOC Class B. If any peripheral or the system is DOC Class A, the system is DOC Class A and should not be used in a residential area.

An end-user in Canada is responsible for ensuring that his system is suitable for its environment as stated in the above paragraph.

If dual in-line memory modules (DIMMs) or internal drives are added to a system, the DOC Class of the machine could be affected. All DIMMs and internal drives offered by Sun for use in a Sun system have been tested and will not change the DOC Class labeled on the system if installed per the instructions in the Sun Installation Guide. If memory or drives are purchased from sources other than Sun, the DOC Class of the system may be adversely affected.

ICES-003 Class A Notice

This Class A digital apparatus complies with Canadian ICES-003.

ICES-003 Class B Notice

This Class B digital apparatus complies with Canadian ICES-003.

VCCI Statements


VCCI 基準について

クラス A VCCI 基準について

クラス A VCCI の表示があるワークステーションおよびオプション製品は、クラス A 情報技術装置です。これらの製品には、下記の項目が該当します。

この装置は、情報処理装置等電波障害自主規制協議会 (VCCI) の基準に基づくクラス A 情報技術装置です。この装置を家庭環境で使用すると電波妨害を引き起こすことがあります。この場合には使用者が適切な対策を講ずるよう要求されることがあります。

クラス B VCCI 基準について

クラス B VCCI の表示  があるワークステーションおよびオプション製品は、クラス B 情報技術装置です。これらの製品には、下記の項目が該当します。

この装置は、情報処理装置等電波障害自主規制協議会 (VCCI) の基準に基づくクラス B 情報技術装置です。この装置は、家庭環境で使用することを目的としていますが、この装置がラジオやテレビジョン受信機に近接して使用されると、受信障害を引き起こすことがあります。取扱説明書に従って正しい取り扱いをしてください。

BSMI Class A Notice

The following statement applies to products shipped to Taiwan and marked as Class A on the product compliance label.

警告使用者：

這是甲類的資訊產品，在居住的環境中使用時，可能會造成射頻干擾，在這種情況下，使用者會被要求採取某些適當的對策。

PART II Safety

This part contains safety statements and instructions in the following languages:

- English on page 21
- Français, page 32
- Deutsch auf Seite 41
- Italiano a pagina 50
- Español en la página 59
- Svenska på sidan 68
- 日本語 ページ 76
- 한국어 페이지 85
- 简体中文在第 94 页
- 繁體中文在第 102 頁

Safety

Read this section before beginning any procedure. The following text provides safety precautions that you must follow when installing or servicing a Sun Microsystems product.

Symbols

Note – A note provides information which should be considered by the reader.



Caution – Cautions identified by this Attention icon carry information about procedures or events which if not considered may cause damage to the data or hardware of your system.



Caution – Cautions identified by this Hazard icon carry information about procedures which must be followed to reduce the risk of electric shock and danger to personal health. Follow all instructions carefully.

Safety Precautions

The following general safety precautions must be observed during all phases of operation, service and repair of this equipment. Failure to comply with these precautions or with specific warnings elsewhere in this manual violates safety standards of design, manufacture and intended use of the equipment. Sun Microsystems assumes no liability for the customer's failure to comply with these requirements.

The safety precautions listed below represent warnings of certain dangers of which Sun Microsystems is aware. You, as the user of the product, should note these warnings and all other safety precautions necessary for the safe operation of the equipment in your operating environment.

Do Not Service or Adjust Alone



Caution – Do not attempt internal service or adjustment unless another person, capable of rendering first aid and resuscitation, is present.

Safety Requirements

For protection, observe the following safety precautions when setting up the equipment:

- Follow all cautions, warnings and instructions marked on the equipment.
- Ensure that the voltages and frequency rating of your power source match the voltage and frequency inscribed on electrical rating label attached to the equipment.
- Never push objects of any kind through openings in the equipment. They may touch dangerous voltage points or short components, resulting in fire, electric shock, or damage to your equipment.
- Refer servicing of equipment to qualified personnel.

Lifting



Caution – The handle at the rear of the system is for removing the PSU only. Do not attempt to lift the system using this handle.



Caution – Do not use the finger grip on the rear of the top access cover to lift the system.



Caution – Owing to the weight of the system, do not attempt to install it in or remove it from a rack alone. At least one other person must be available.

Modifications to Equipment



Caution – Because of the danger of introducing additional hazards and/or the possibility of compromising emissions compliance, do not install substitute parts or perform any unauthorized modification of the equipment.

Contact your local support organization for service and repair to ensure that safety features are maintained. Sun Microsystems is not responsible for regulatory compliance of a Modified Sun product.

Placement



Caution – Do not block or cover the openings of your Sun product. Never place a Sun product near a radiator or heat register. Failure to follow these guidelines can cause overheating and affect the reliability of your Sun product.

The workplace-dependent noise level defined in DIN 45 635 Part 1000 must be 70dB(A) or less.

SELV Compliance

The safety status of I/O connections complies with SELV requirements.

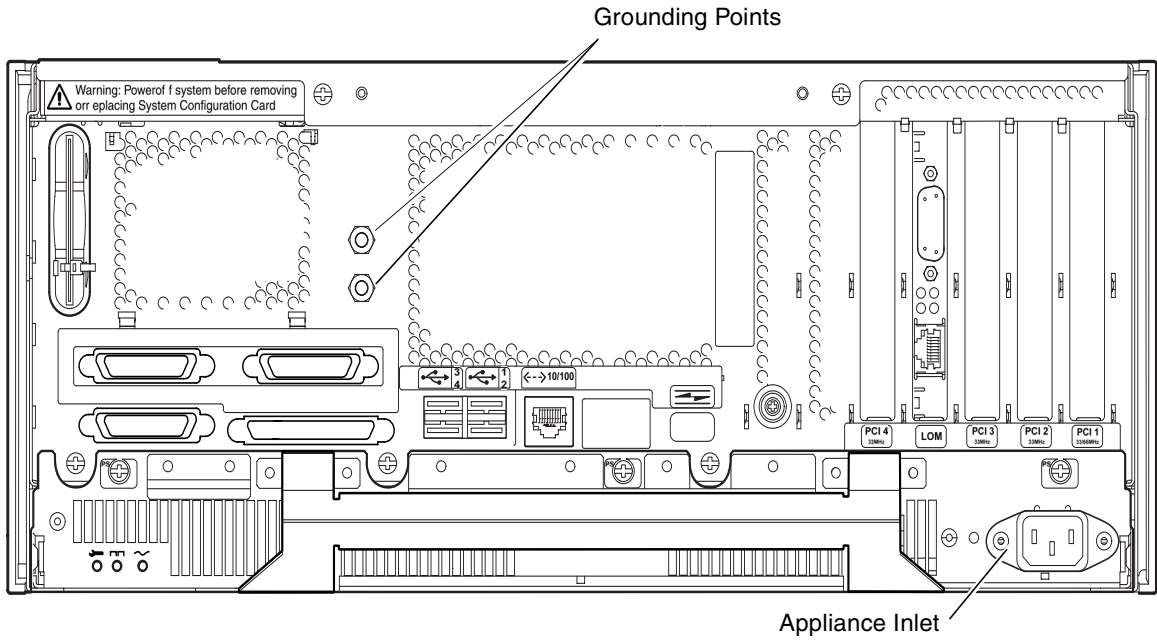


FIGURE 7-1 Netra T4 AC100 (Rear)

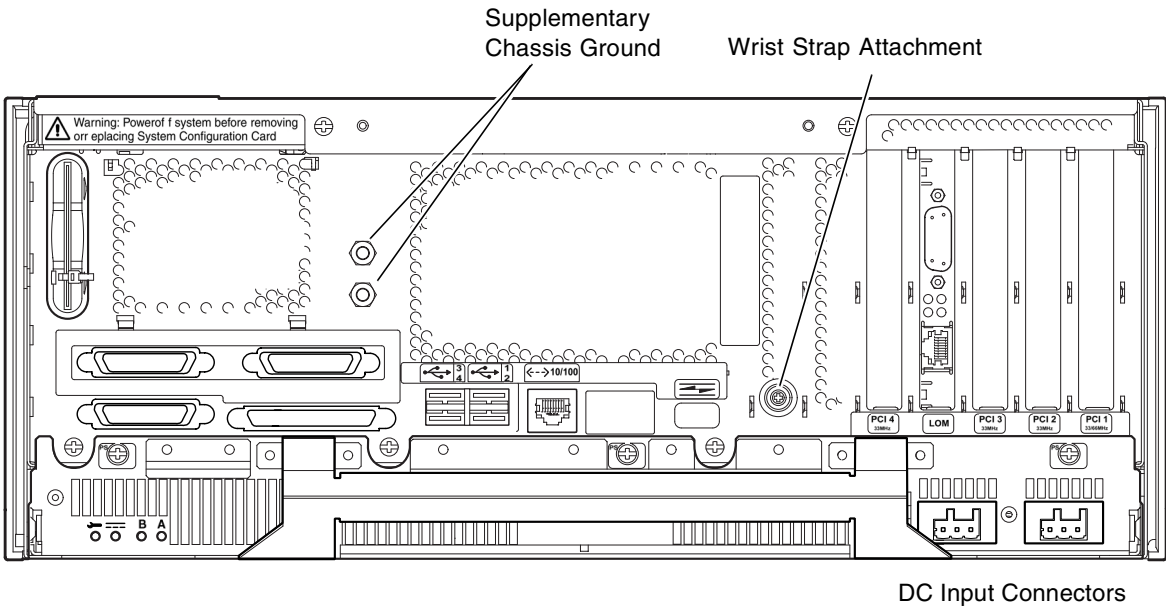


FIGURE 7-2 Netra T4 DC100 (Rear)

Netra T4 AC100 Power Connection



Caution – The Netra T4 AC100 is designed to work with single-phase power systems having a grounded neutral conductor. To reduce the risk of electric shock, do not plug the equipment into any other type of power system. Contact your facilities manager or a qualified electrician if you are not sure what type of power is supplied to your building.



Caution – Your Sun product is shipped with a grounding type (three-wire) power cord. To reduce the risk of electric shock, always plug the cord into a grounded power outlet.



Caution – The socket outlet must be installed near the equipment and must be easily accessible.



Caution – The plug at the end of the AC power cord is the primary means of disconnection for this product.

Netra T4 DC100 Power Connections

The disconnect devices for servicing are defined as:

- The circuit breakers in *both* negative supply conductors
- *Both* DC input connectors

Note – The Netra T4 DC100 system must be installed in a *restricted access location*. The IEC, EN and UL 60950 define a restricted access location as an area intended for qualified or trained personnel only and having access controlled by a locking mechanism, such as a key lock or an access card system.

Do Not Operate in an Explosive Atmosphere



Caution – Do not operate the equipment in the presence of flammable gases or fumes. Operation of any electrical equipment in such an environment constitutes a definite safety hazard.

Keep Away From Live Circuits



Caution – Only trained personnel may remove equipment covers for internal subassembly or component replacement or any internal adjustment. Under certain conditions, dangerous voltages may exist even with the power supply removed.

Lithium Battery



Caution – Each system motherboard contains a lithium battery, which can explode if replaced incorrectly. In the unlikely event that a battery requires replacement, ensure that the replacement is of the same or equivalent type and dispose of the used battery safely in accordance with the manufacturer's instructions.

DVD-ROM



Caution – If a DVD-ROM is fitted, use of controls, adjustments or the performance of procedures other than those specified herein may result in hazardous radiation exposure.

Laser Compliance Notice

Sun products that use laser technology comply with Class 1 laser requirements.

CLASS 1 LASER PRODUCT
LASER KLASSE 1
APPAREIL A LASER
DE CLASSE 1

Handling Your DVD-ROM Disks

Please observe the following precautions when handling DVD-ROM disks:

- DO NOT touch the data side of the disk (the side of the disk with no label).
- DO NOT apply paper labels or write on any part of the disk, data side or label side.
- If dust or fingerprints get on to the disk, wipe with a dry cloth from the center of the disk to the edge.
- DO NOT place the disk in any place where it will be subjected to direct sunlight or high temperature.



Caution – Do not use Benzene, Paint Thinner, Record Cleaner, Static Repellent or any type of CD or DVD lens cleaner. These chemicals can damage the surface of the DVD-ROM disk. In addition, these fluids will build up on the lens cleaning brush in your DVD-ROM reader, reducing effectiveness.

Note – In some circumstances, if your DVD-ROM disk does not have a clean data surface, your system may fail to boot.

Antistatic Precautions



Caution – Wear an antistatic wrist strap and use an ESD-protected mat when handling components. When servicing or removing system unit components, use an antistatic wrist strap with a 10mm press stud connection and attach the antistatic wrist strap to the press stud at the rear or front of the chassis before removing the top access cover.

Attaching the Antistatic Wrist Strap

- To attach the antistatic wrist strap to the chassis, connect the strap as shown in FIGURE 7-3 or FIGURE 7-4.

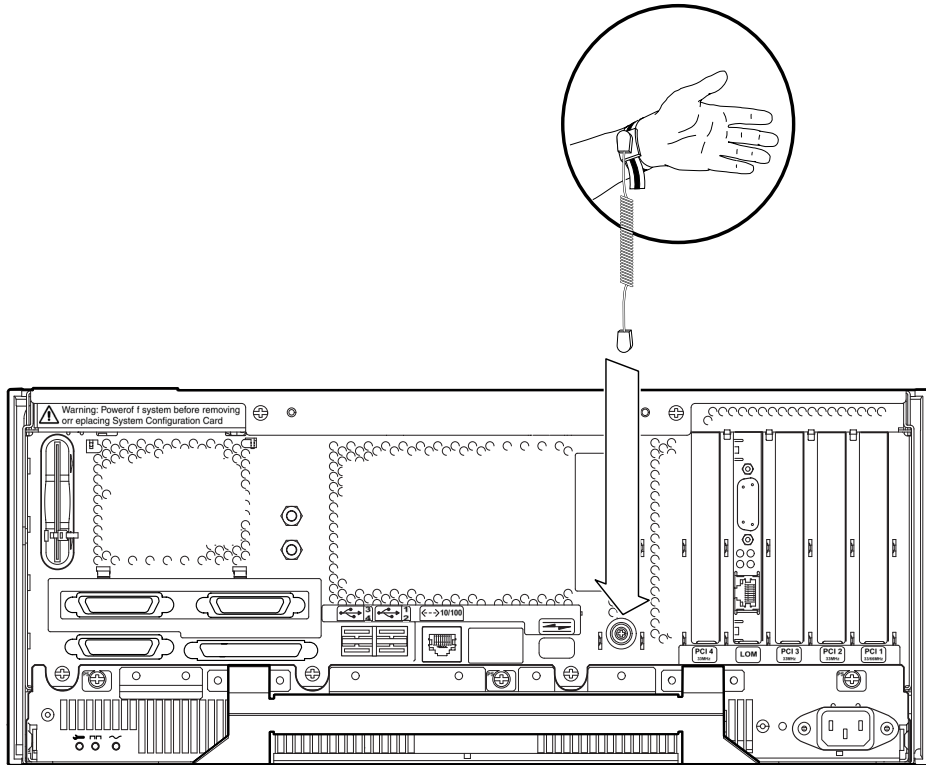


FIGURE 7-3 Attaching the Antistatic Wrist Strap to the Rear of the Chassis

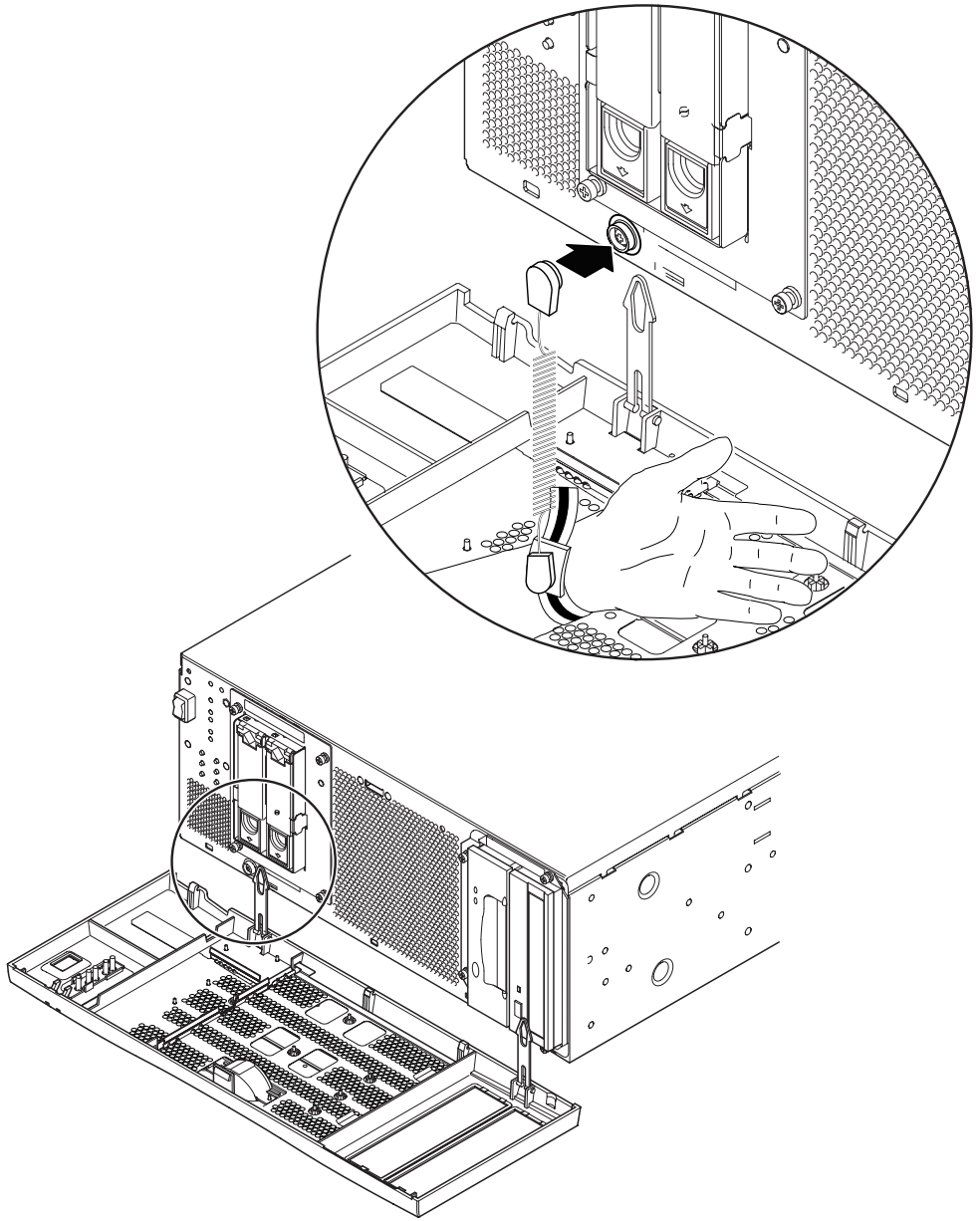


FIGURE 7-4 Attaching the Antistatic Wrist Strap to the Front of the Chassis

Sécurité

Veillez lire cette section avant de commencer toute procédure. Vous y trouverez les mesures de sécurité à prendre lors de l'installation ou de l'entretien d'un produit Sun Microsystems.

Symboles

Remarque – Une remarque fournit des informations devant être prises en compte par le lecteur.



Attention – Les avertissements identifiés par cette icône fournissent des informations sur des procédures ou événements précis dont le non-respect peut provoquer des pertes de données ou des dommages matériels.



Attention – Les avertissements identifiés par cette icône fournissent des informations sur les procédures devant être suivies pour réduire les risques de choc électrique et d'autres dangers physiques. Veuillez respecter scrupuleusement les instructions fournies.

Mesures de sécurité

Les mesures de sécurité générales suivantes doivent être respectées pendant toutes les phases de fonctionnement, d'entretien et de réparation de cet appareil. Le non-respect de ces mesures ou des avertissements spécifiques mentionnés dans les autres sections de ce manuel constitue une violation des normes de sécurité en matière de conception, de fabrication et d'utilisation de l'appareil. Sun Microsystems décline toute responsabilité en cas de non-respect par le client des exigences mentionnées.

Les mesures de sécurité répertoriées ci-dessous s'appliquent à certains risques identifiés par Sun Microsystems. En tant qu'utilisateur de ce produit, vous devez prendre connaissance de ces avertissements et de toutes les mesures de sécurité nécessaires au bon fonctionnement de l'appareil en toute sécurité dans votre environnement d'utilisation.

Ne pas procéder seul à des travaux d'entretien ou de réglage



Attention – N'essayez pas d'effectuer des travaux d'entretien ou de réglage internes hors de la présence d'une personne capable, en cas de besoin, de fournir les premiers soins et de réanimer un éventuel blessé.

Conditions requises en matière de sécurité

Pour votre sécurité, veuillez respecter les consignes de sécurité suivantes lors de l'installation de l'appareil :

- Respectez tous les avertissements et instructions indiqués sur l'appareil.
- Veillez à ce que les tensions et la fréquence de la prise d'alimentation correspondent aux valeurs indiquées sur l'étiquette signalétique de l'appareil.
- N'introduisez jamais d'objets de quelque type que ce soit dans les ouvertures de l'appareil. Ils pourraient entrer en contact avec des tensions dangereuses ou court-circuiter des composants, provoquant un incendie, un choc électrique ou des dégâts matériels.
- Faites effectuer les travaux d'entretien par du personnel qualifié.

Pour soulever le système



Attention – La poignée située à l'arrière du système est destinée au retrait du bloc d'alimentation uniquement. N'essayez pas de soulever le système à l'aide cette poignée.



Attention – Ne soulevez pas le système à l'aide des poignées situées à l'arrière du panneau supérieur.



Attention – Étant donné le poids du système, n'essayez pas de l'installer dans une armoire ou de l'en retirer sans assistance. Une autre personne au minimum doit être présente.

Modifications du matériel



Attention – N'installez pas de pièces de rechange et n'effectuez pas de modifications non autorisées de l'appareil, afin d'éviter de créer des risques supplémentaires et/ou de compromettre les dispositions de conformité aux normes en vigueur.

Adressez-vous à votre service de support technique pour tous travaux d'entretien et de réparation, afin de vous assurer que les mesures de sécurité appropriées seront respectées. Sun Microsystems n'est pas responsable de la conformité aux réglementations en vigueur d'un produit Sun qui a été modifié.

Positionnement



Attention – Pour assurer le bon fonctionnement de votre produit Sun et pour l'empêcher de surchauffer, il convient de ne pas obstruer ni de recouvrir les ouvertures pratiquées dans l'appareil. Un produit Sun ne doit jamais être placé à proximité d'un radiateur ou d'une source de chaleur.

Le niveau de bruit sur le lieu de fonctionnement du système doit être de 70 dB(A), tel que défini dans la partie 1000 de la norme DIN 45 635.

Conformité SELV

Les connexions d'E/S sont conformes aux normes de sécurité SELV.

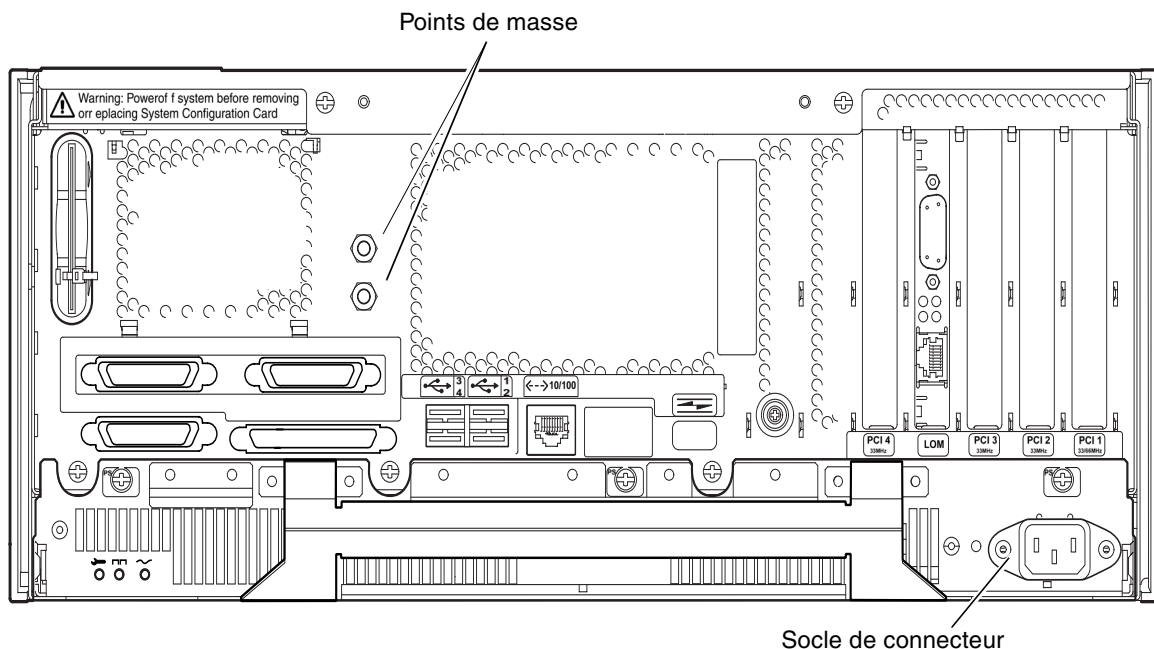


FIGURE 7-5 Serveur Netra T4 AC100 (vue arrière)

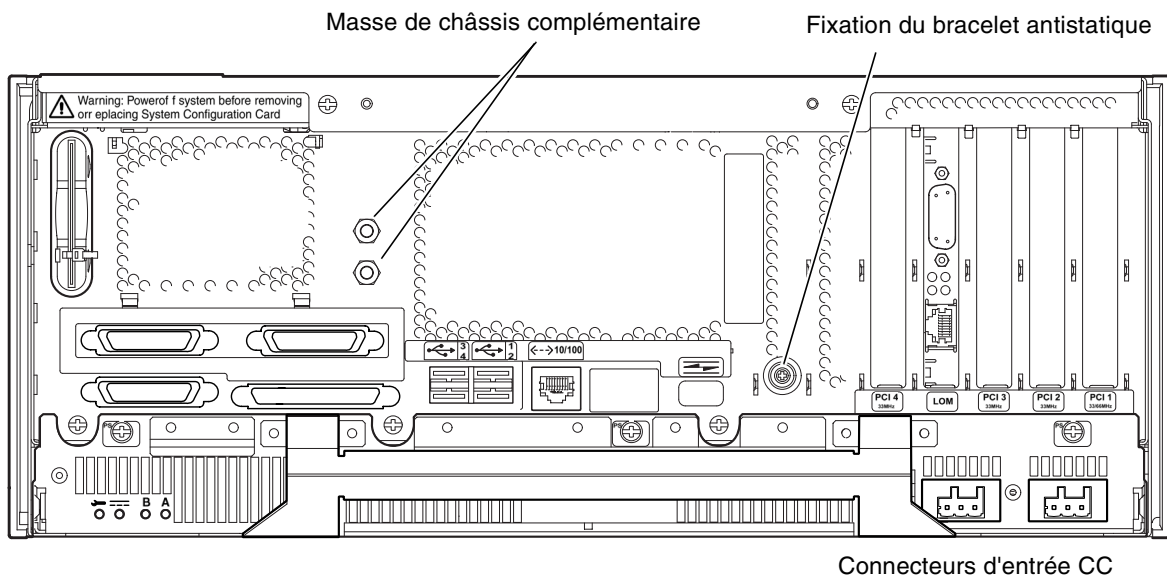


FIGURE 7-6 Netra T4 DC100 (vue arrière)

Source d'alimentation du système Netra T4 AC100



Attention – Le serveur Netra T4 AC100 est conçu pour fonctionner avec des systèmes d'alimentation monophasée munis d'un conducteur neutre de mise à la terre. Pour écarter les risques d'électrocution, ne branchez pas votre produit Sun sur un autre type d'alimentation secteur. En cas de doute quant au type d'alimentation électrique du local, veuillez vous adresser au responsable du site ou à un électricien qualifié.



Attention – Votre produit Sun est équipé d'un cordon d'alimentation (à trois fils) avec prise de terre. Pour écarter tout risque d'électrocution, branchez toujours ce cordon sur une prise mise à la terre.



Attention – La prise de courant doit être installée à proximité du matériel et être facile d'accès.



Attention – La prise située à l'extrémité du cordon d'alimentation secteur constitue le principal moyen de déconnecter le matériel.

Sources d'alimentation du système Netra T4 DC100

Les périphériques de déconnexion pour les opérations de maintenance sont les suivants :

- Les disjoncteurs des *deux* conducteurs d'alimentation négatifs
- Les *deux* connecteurs d'entrée CC

Remarque – Le système Netra T4 DC100 doit être installé dans une *zone d'accès limité*. Les normes IEC, EN et UL 60950 définissent une zone d'accès limité comme étant une zone réservée au personnel qualifié et dont l'accès est contrôlé par un système de verrouillage tel qu'un cadenas ou un système d'accès par carte.

Ne pas faire fonctionner dans une atmosphère déflagrante



Attention – Ne faites pas fonctionner l'appareil en présence de gaz ou de vapeurs inflammables. L'utilisation de tout équipement électrique dans un environnement de ce type présente un grave danger en matière de sécurité.



Rester à l'écart des circuits sous tension

Seul le personnel formé à cet effet peut retirer les couvercles de l'appareil pour procéder à des réglages internes, des remplacements de composants ou à d'autres travaux à l'intérieur de l'appareil. Dans certaines conditions, des tensions dangereuses peuvent être présentes dans l'appareil, même lorsque l'alimentation électrique est interrompue.

Batterie au lithium



Attention – Chaque carte mère du système contient une batterie au lithium qui peut exploser en cas de remplacement incorrect. Dans le cas peu probable où la batterie devrait être remplacée, assurez-vous que la batterie de rechange est du même type ou équivalent. Mettez l'ancienne batterie au rebut selon les instructions du fabricant.

DVD-ROM



Attention – Si un disque DVD est installé, l'utilisation de commandes, de réglages ou l'exécution de procédures autres que celles spécifiées dans le présent document peut provoquer une exposition à des radiations dangereuses.

Conformité aux certifications laser

Les produits Sun qui font appel aux technologies lasers sont conformes aux normes de la classe 1 en la matière.

CLASS 1 LASER PRODUCT
LASER KLASSE 1
APPAREIL A LASER
DE CLASSE 1

Manipulation des disques DVD-ROM

Veillez prendre les mesures de précaution suivantes lorsque vous manipulez les disques DVD-ROM :

- NE TOUCHEZ PAS la face du disque sur laquelle les données sont enregistrées (c'est-à-dire, la face ne portant pas d'étiquette).
- NE COLLEZ PAS d'étiquettes en papier et n'écrivez pas sur l'une ou l'autre face du disque.
- Si le disque est poussiéreux ou porte des traces de doigt, essuyez-le avec un chiffon propre en allant du centre au bord du disque.
- NE PLACEZ PAS le disque dans un endroit où il sera exposé directement à la lumière du soleil ou à des températures élevées.



Attention – N'utilisez jamais de benzène, de diluant, de liquide de nettoyage, d'agent antistatique ni de produit de nettoyage de lentille de lecteur CD ou de DVD. Ces produits chimiques peuvent endommager la surface du DVD-ROM. De plus, ces fluides se déposeraient sur la brosse de nettoyage de la lentille de votre lecteur DVD, réduisant son efficacité.

Remarque – Dans certaines circonstances, il est possible que votre système ne démarre pas si la surface de votre DVD-ROM est encrassée.

Précautions relatives à l'électricité statique



Attention – Lorsque vous manipulez les composants du système, utilisez un bracelet et un tapis antistatiques. Lorsque vous réparez ou retirez les composants du système, portez un bracelet antistatique doté d'un bouton-pression de 10 mm et reliez-le au bouton-pression situé à l'arrière ou à l'avant du châssis avant de retirer le panneau supérieur.

Fixation du bracelet antistatique

- Pour relier le bracelet antistatique au châssis, procédez comme indiqué à la FIGURE 7-7 ou à la FIGURE 7-8.

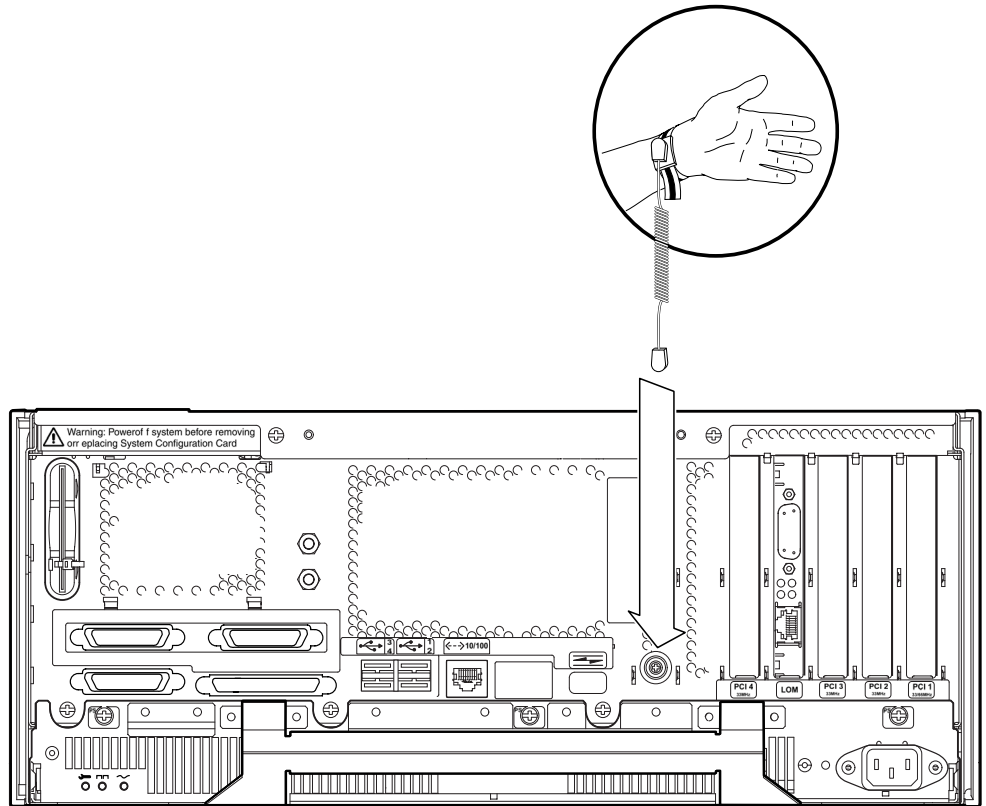


FIGURE 7-7 Fixation du bracelet antistatique à l'arrière du châssis

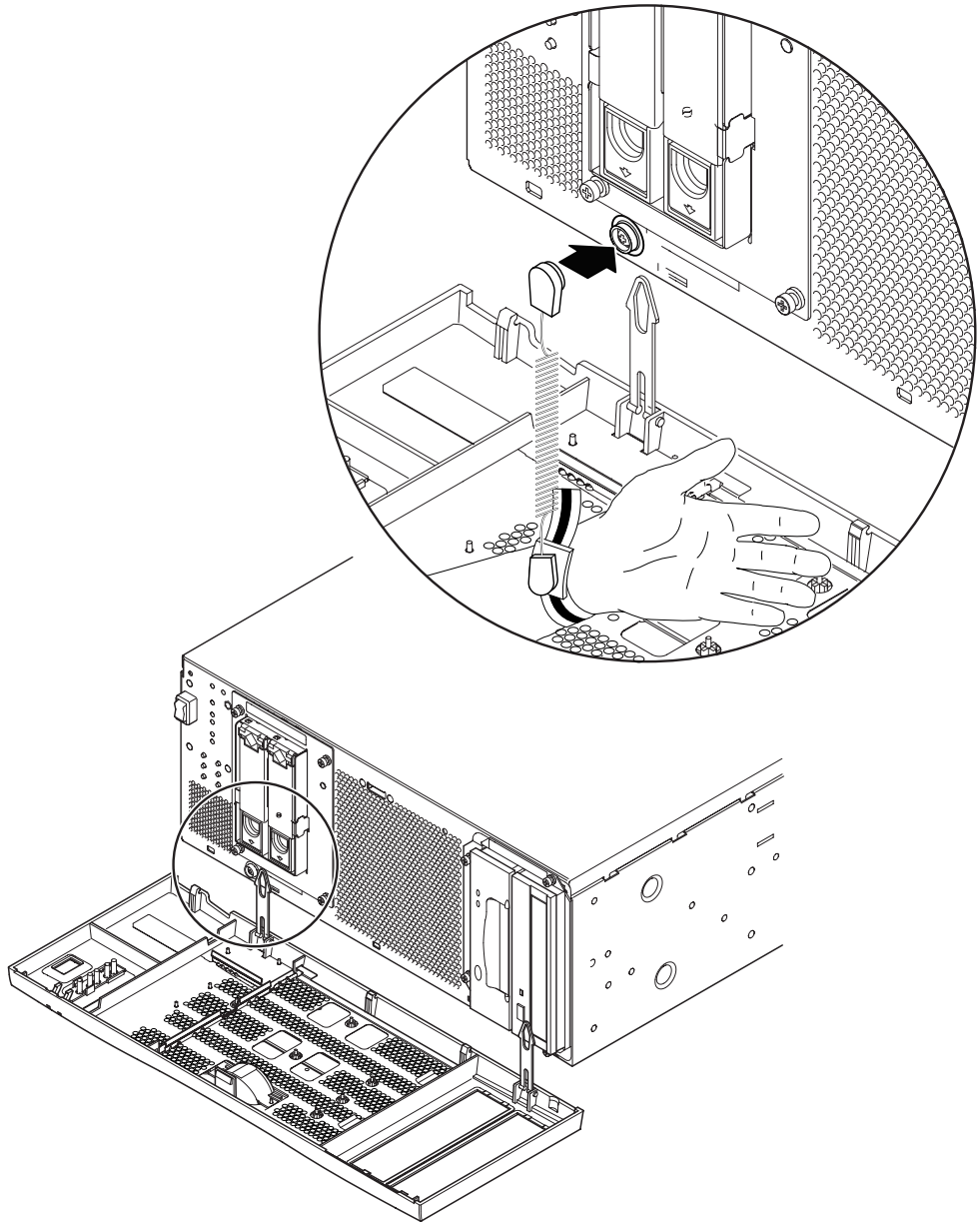


FIGURE 7-8 Fixation du bracelet antistatique à l'avant du châssis

Sicherheit

Lesen Sie vor dem Ausführen von Arbeiten diesen Abschnitt. Im folgenden Text werden Sicherheitsvorkehrungen beschrieben, die Sie bei der Installation oder Wartung eines Sun Microsystems-Produkts beachten müssen.

Symbole

Hinweis – Ein Hinweis bietet Informationen, die der Leser beachten soll.



Achtung – Die mit diesem Symbol gekennzeichneten Warnungen enthalten Informationen zu bestimmten Vorgehensweisen oder Ereignissen, deren Nichtbeachtung zu Schäden an der Hardware des Systems oder zu Datenverlust führen kann.



Achtung – Die mit diesem Symbol gekennzeichneten Warnungen enthalten Informationen zu bestimmten Vorgehensweisen, deren Nichtbeachtung zum elektrischen Schlag oder zu sonstigen gesundheitlichen Gefährdungen führen kann. Befolgen Sie alle Anweisungen genau.

Sicherheitsvorkehrungen

Die folgenden allgemeinen Sicherheitsvorkehrungen müssen bei allen Betriebs-, Wartungs- und Reparaturvorgängen dieses Gerätes beachtet werden. Die Missachtung dieser Vorkehrungen oder sonstiger Warnungen in diesem Handbuch verstößt gegen die Sicherheitsstandards von Konstruktion, Herstellung und vorgesehenen Einsatzbedingungen des Gerätes. Sun Microsystems übernimmt keine Haftung, wenn Kunden diese Anforderungen nicht erfüllen.

Die im Folgenden genannten Sicherheitsvorkehrungen dienen als Warnungen vor bestimmten Gefahren, deren sich Sun Microsystems bewusst ist. Sie sollten als Benutzer des Produktes diese Warnungen und alle sonstigen Sicherheitsvorkehrungen, die für den sicheren Betrieb des Geräts in Ihrer Betriebsumgebung wichtig sind, beachten.

Keine Wartungsarbeiten oder Änderungen ohne Hilfe durchführen



Achtung – Nehmen Sie keine internen Wartungsarbeiten und Änderungen am Gerät vor, wenn keine zweite Person anwesend ist, die bei Bedarf Erste Hilfe leisten oder eine Wiederbelebung durchführen kann.

Sicherheitsanforderungen

Beachten Sie zu Ihrer eigenen Sicherheit bei der Installation des Geräts die folgenden Sicherheitsvorkehrungen:

- Befolgen Sie alle am Gerät angebrachten Vorsichtsmaßnahmen, Warnungen und Anweisungen.
- Stellen Sie sicher, dass Spannung und Frequenz der Stromversorgung den Nennleistungen auf dem am Gerät angebrachten Etikett entsprechen.
- Führen Sie niemals Fremdobjekte in Öffnungen am Gerät ein. Solche Gegenstände können mit spannungsführenden Elementen in Berührung kommen oder Komponenten kurzschließen. Dies kann Feuer, elektrische Schläge oder Beschädigungen am Gerät verursachen.
- Lassen Sie alle Wartungsarbeiten am Gerät nur durch qualifizierte Fachleute durchführen.

Anheben



Achtung – Der Griff auf der Rückseite des Systems dient nur zum Entfernen der PSU. Verwenden Sie diesen Griff nicht zum Anheben des Systems.



Achtung – Verwenden Sie zum Anheben des Systems nicht den Fingergriff auf der Rückseite der oberen Abdeckung.



Achtung – Versuchen Sie aufgrund des Gewichts des Systems nicht, es ohne Hilfe in ein Rack ein- bzw. auszubauen. Es muss mindestens eine weitere Person zur Verfügung stehen.

Änderungen am Gerät



Achtung – Installieren Sie keine Teile von anderen Herstellern, und nehmen Sie keine unbefugten Änderungen am Gerät vor. Dadurch besteht die Gefahr, zusätzliche Gefahrenstellen zu verursachen und/oder die Konformität mit Emissionsbestimmungen zu beeinträchtigen.

Wenden Sie sich für Wartungs- und Reparaturarbeiten stets an den lokalen Kundendienst, damit die Sicherheitsvorkehrungen gewährleistet sind. Sun Microsystems ist für die Einhaltung der Sicherheitsvorschriften von modifizierten Sun-Produkten nicht haftbar.

Aufstellung



Achtung – Geräteöffnungen Ihres Sun-Produkts dürfen nicht blockiert oder abgedeckt werden. Sun-Geräte sollten niemals in der Nähe von Heizkörpern oder Heißluftklappen aufgestellt werden. Die Nichtbeachtung dieser Richtlinien kann Überhitzung verursachen und die Zuverlässigkeit Ihres Sun-Geräts beeinträchtigen.

Die unter DIN 45 635 Teil 1000 definierte arbeitsplatzbedingte Lautstärke darf 70dB(A) nicht überschreiten.

SELV-Konformität

Der Sicherheitsstatus der E/A-Verbindungen entspricht den SELV-Anforderungen.

Erdungspunkte

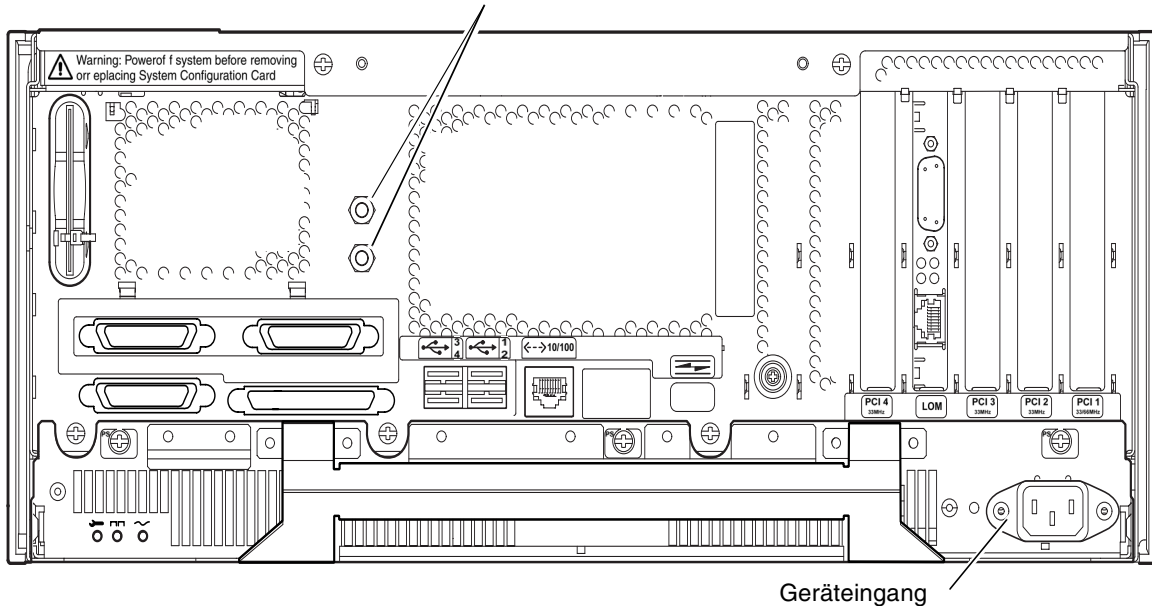


ABBILDUNG 7-9 Netra T4 AC100 (Rückseite)

Zusätzliche Chassis-Erdung

Armbandbefestigung

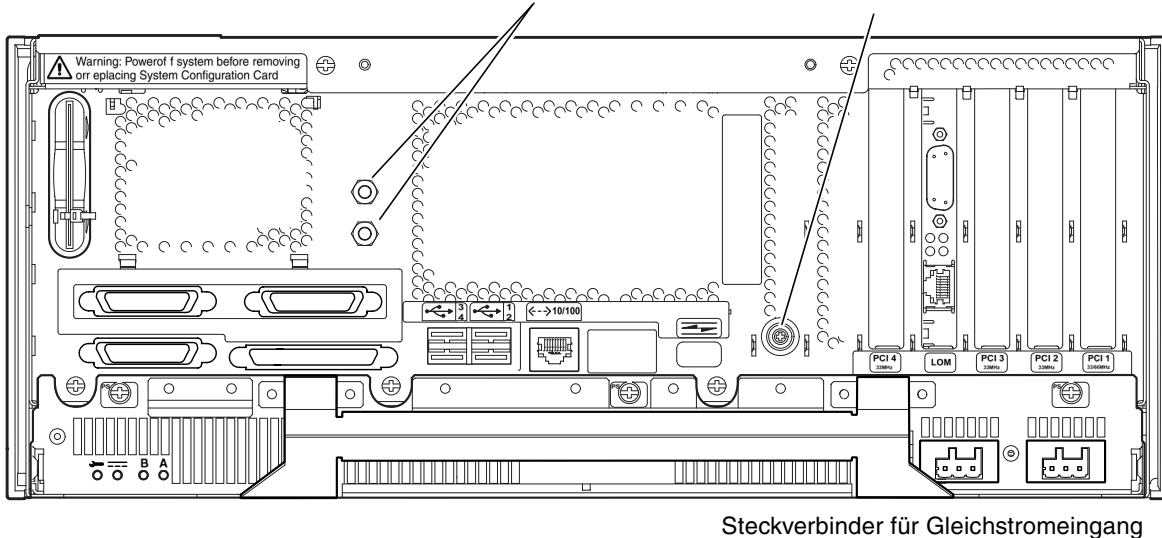


ABBILDUNG 7-10 Netra T4 DC100 (Rückseite)

Steckverbinder für Gleichstromeingang

Netra T4 AC100-Stromverbindung



Achtung – Der Netra T4 AC100 ist für einphasige Stromversorgungssysteme mit einem geerdeten neutralen Leiter ausgelegt. Um die Gefahr von Stromschlägen zu vermeiden, schließen Sie das Gerät niemals an andere Stromversorgungssysteme an. Wenden Sie sich an den zuständigen Gebäudemanager oder an einen qualifizierten Elektriker, wenn Sie nicht sicher wissen, an welche Art von Stromversorgungssystem Ihr Gebäude angeschlossen ist.



Achtung – Ihr Sun-Produkt wird mit einem geerdeten Stromkabel (dreiadrig) geliefert. Um die Gefahr von Stromschlägen zu vermeiden, schließen Sie das Kabel nur an geerdete Steckdosen an.



Achtung – Die Steckdose muss in der Nähe des Geräts und leicht zugänglich installiert sein.



Achtung – Die Stromversorgung für dieses Produkt wird hauptsächlich am Stecker am Ende des Wechselstromkabels getrennt.

Netra T4 DC100-Stromverbindungen

Die Stromtrennungselemente bei Wartungsarbeiten sind wie folgt definiert:

- Die Leistungsschalter in *beiden* negativen Stromspeiseleitungen
- *Beide* Steckverbinder für Gleichstromeingang

Hinweis – Das Netra T4 DC100-System muss an einem *Ort mit beschränktem Zugang* installiert werden. Die IEC, EN sowie UL 60950 definieren einen Ort mit beschränktem Zugang als einen Ort, zu dem nur qualifiziertes und geschultes Fachpersonal Zugang hat und dessen Zugang durch einen Verriegelungsmechanismus, wie z. B. ein Schloss mit Schlüssel oder Karte, kontrolliert wird.

Kein Betrieb in Umgebungen mit Explosionsgefahr



Achtung – Betreiben Sie das Gerät nicht in der Umgebung von leicht entzündlichen Gasen oder Dämpfen. Der Betrieb von elektrischen Geräten unter solchen Bedingungen stellt ein eindeutiges Sicherheitsrisiko dar.

Halten Sie sich von spannungsführenden Stromkreisen fern



Achtung – Nur entsprechend geschultes Fachpersonal darf die Abdeckungen des Systems für interne Teilmontage, Komponentenaustausch bzw. sonstige interne Änderungen entfernen. Unter bestimmten Bedingungen können selbst bei unterbrochener Stromversorgung gefährliche Spannungen im Gerät anliegen.

Lithiumbatterie



Achtung – Jede Hauptplatine des Systems enthält eine Lithiumbatterie, die bei unsachgemäßem Austausch explodieren kann. Falls die Batterie einmal ersetzt werden muss, stellen Sie sicher, dass es sich beim Ersatz um eine Batterie des gleichen oder eines gleichwertigen Typs handelt. Entsorgen Sie die benutzte Batterie gemäß den Anweisungen des Herstellers.

DVD-ROM



Achtung – Wenn ein DVD-ROM-Laufwerk installiert ist, können die in diesem Handbuch nicht aufgeführten Verwendungen von Steuerelementen, Anpassungen oder Ausführungen von Vorgängen eine gefährliche Strahlenbelastung verursachen.

Hinweis zur Laser-Konformität

Sun-Produkte, die die Laser-Technologie verwenden, entsprechen den Laser-Anforderungen der Klasse 1.



Umgang mit DVDs

Beachten Sie beim Umgang mit DVDs die folgenden Vorsichtsmaßnahmen:

- Berühren Sie NICHT die Datenseite der DVD (die Seite ohne Beschriftung).
- Bringen Sie KEINE Papieretiketten oder Beschriftungen auf der Datenseite oder der beschrifteten Seite an.
- Wenn sich Staub oder Fingerabdrücke auf der DVD befinden, wischen Sie die DVD von der Mitte bis zum Rand mit einem trockenen Tuch ab.
- Setzen Sie die DVD WEDER direkter Sonneneinstrahlung NOCH hohen Temperaturen aus.



Achtung – Verwenden Sie niemals Benzol, Verdüner, Schallplattenreiniger, Antistatikmittel oder Linsenreiniger für CD- bzw. DVD-Player. Diese Chemikalien können die Oberfläche der DVD beschädigen. Außerdem würden sich diese Flüssigkeiten auf der Linsenreinigungsbürste im DVD-ROM-Lesegerät ablagern und die Leistung beeinträchtigen.

Hinweis – Wenn die Datenoberfläche der DVD verschmutzt ist, kann das System u. U. nicht starten.

Antistatische Vorsichtsmaßnahmen



Achtung – Tragen Sie beim Umgang mit Komponenten ein antistatisches Armband, und verwenden Sie eine antistatische Schutzmatte (ESD-Schutz). Verwenden Sie bei Wartungsarbeiten bzw. beim Entfernen von Komponenten des Systems ein antistatisches Armband mit einem Druckknopfanschluss von 10 mm. Befestigen Sie vor dem Entfernen der oberen Abdeckung das antistatische Armband am Anschlussbolzen auf der Rück- bzw. Vorderseite des Chassis.

Befestigen des antistatischen Armbands

- Um das antistatische Armband mit dem Chassis zu verbinden, befestigen Sie es wie in ABBILDUNG 7-11 oder ABBILDUNG 7-12 dargestellt.

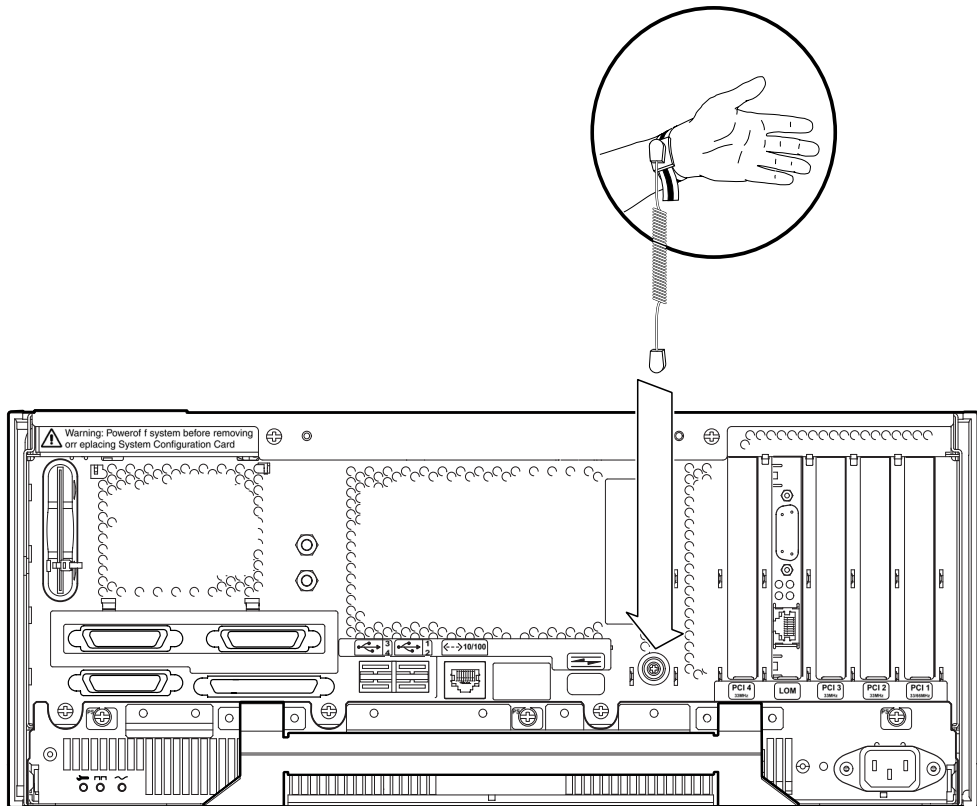


ABBILDUNG 7-11 Befestigen des antistatischen Armbands auf der Rückseite des Chassis

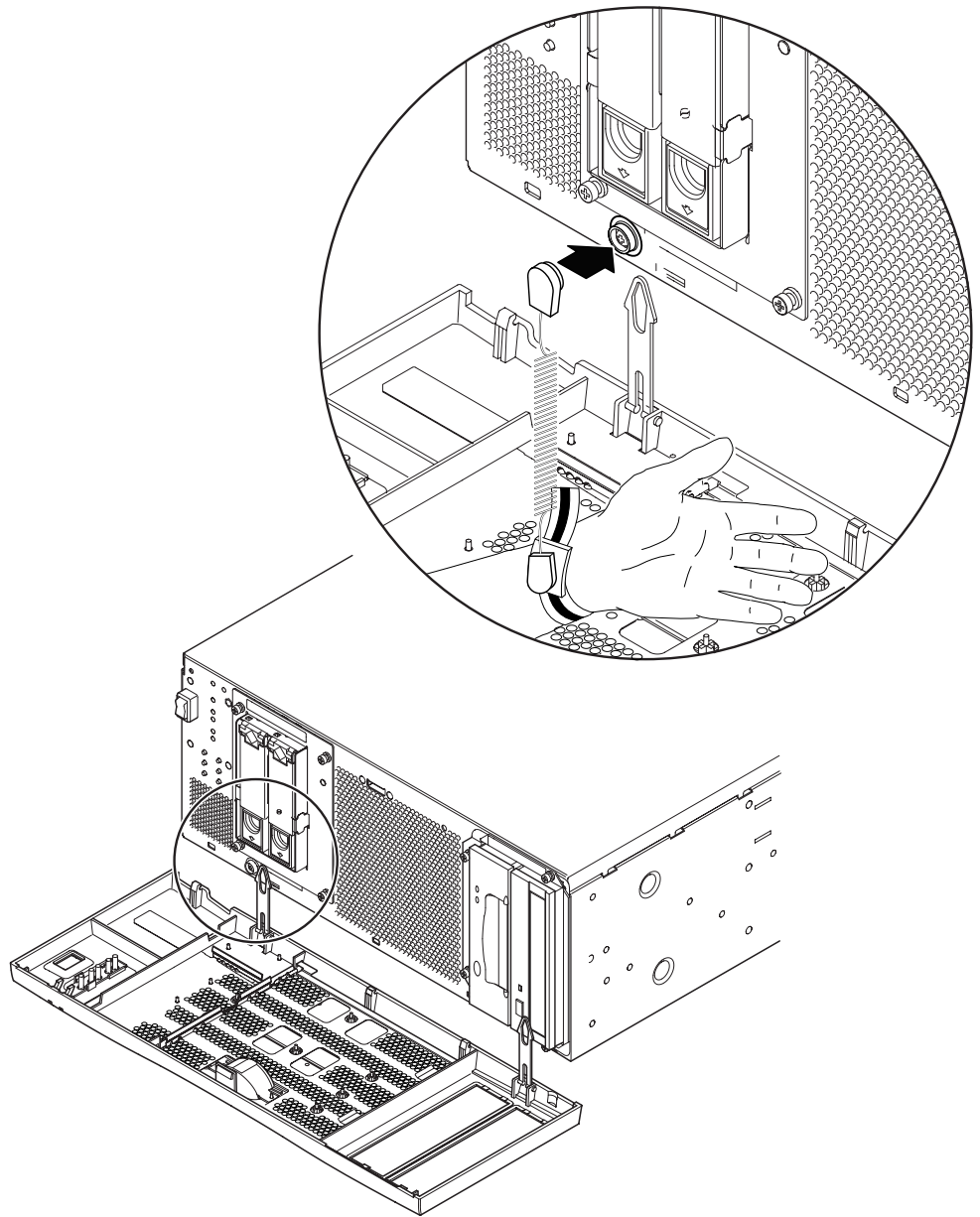


ABBILDUNG 7-12 Befestigen des antistatischen Armbands auf der Vorderseite des Chassis

Sicurezza

Leggere questa sezione prima di eseguire qualsiasi procedura. Di seguito sono riportate le precauzioni da seguire durante l'installazione o la manutenzione di un prodotto Sun Microsystems.

Simboli

Nota – Una nota fornisce informazioni che devono essere prese in considerazione dal lettore.



Precauzione – Le avvertenze contrassegnate da questa icona indicano informazioni su procedure o eventi che, se ignorate, possono danneggiare i dati o i componenti hardware del sistema.



Precauzione – Le avvertenze contrassegnate da questa icona indicano informazioni sulle procedure da seguire per evitare rischi di scosse elettriche e lesioni personali. Attenersi alle istruzioni

Precauzioni di sicurezza

È necessario osservare le seguenti precauzioni generali di sicurezza durante tutte le fasi di funzionamento, manutenzione e riparazione dell'unità. La mancata osservanza di queste precauzioni o di altre avvertenze riportate nel presente manuale viene considerata una violazione degli standard di sicurezza di progettazione, produzione ed uso previsto dell'unità. Sun Microsystems declina qualsiasi responsabilità in caso di mancata osservanza di tali requisiti.

Le precauzioni di sicurezza elencate di seguito si riferiscono a determinate situazioni di pericolo note a Sun Microsystems. Si consiglia di prendere nota di tali avvertenze e di tutte le altre precauzioni di sicurezza necessarie per il corretto funzionamento dell'unità nel proprio ambiente operativo.

Manutenzione o regolazioni



Precauzione – Non tentare di riparare o apportare modifiche ai componenti interni se non è presente un tecnico in grado di fornire una prima assistenza e di rimettere in funzione il sistema.

Requisiti di sicurezza

Al fine di garantire la sicurezza dell'unità, osservare le seguenti precauzioni durante l'impostazione del sistema:

- Attenersi a tutte le avvertenze e le istruzioni riportate sull'unità.
- Controllare che la tensione e la frequenza nominali della presa di corrente corrispondano ai dati indicati sull'etichetta dei dati elettrici dell'unità.
- Non inserire mai oggetti di nessun tipo attraverso le aperture dell'unità poiché potrebbero venire a contatto con pericolosi punti di tensione o piccoli componenti e causare incendi, scosse elettriche o danni al sistema.
- Per lavori di manutenzione, rivolgersi a tecnici specializzati.

Sollevamento



Precauzione – La maniglia sul retro del sistema consente di rimuovere solo il PSU. Non sollevare il sistema utilizzando tale maniglia.



Precauzione – Non utilizzare la presa sul retro del coperchio di accesso superiore per sollevare il sistema.



Precauzione – Dato il peso del sistema, non tentare di installarlo o di rimuoverlo dall'alloggiamento da soli. È necessario farsi aiutare da almeno un'altra persona.

Modifiche all'unità



Precauzione – Per evitare il rischio di ulteriori pericoli e/o la possibilità di compromettere la conformità alle norme sulle emissioni, non installare parti sostitutive o apportare modifiche non autorizzate all'unità.

Rivolgersi al centro di assistenza tecnica locale per lavori di manutenzione e riparazione in modo da preservare le caratteristiche di sicurezza. Sun Microsystems non è responsabile per la conformità di un prodotto Sun modificato.

Scelta del luogo di installazione



Precauzione – Non bloccare né ostruire le aperture del prodotto Sun. Non collocare un prodotto Sun vicino a un radiatore. La mancata osservanza di queste istruzioni può causare surriscaldamento e compromettere l'affidabilità del prodotto Sun.

Il livello di rumore nell'area operativa specificata in DIN 45 635 Parte 1000 non deve superare i 70dB(A).

Conformità SELV

Le condizioni di sicurezza delle connessioni I/O sono conformi ai requisiti SELV.

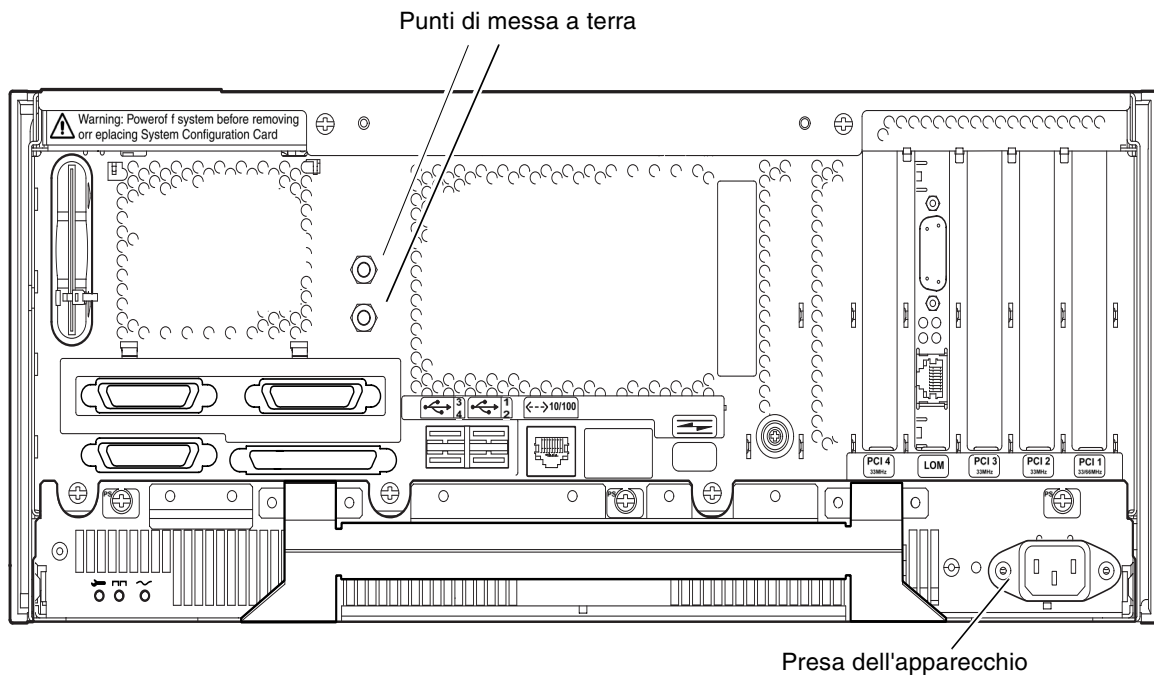


FIGURA 7-13 Netra T4 AC100 (Retro)

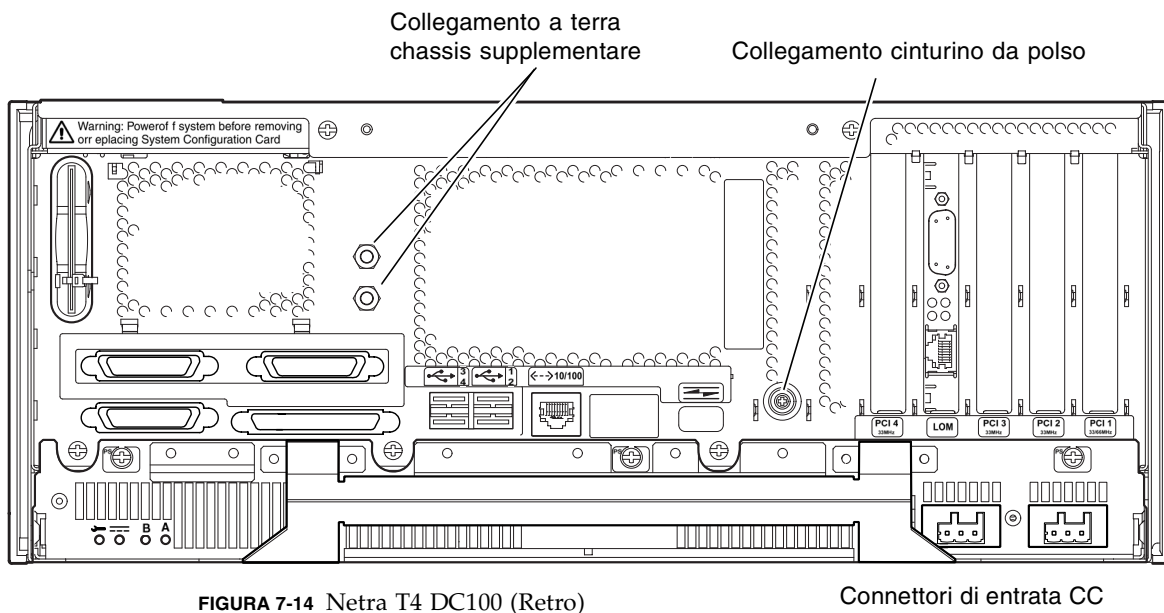


FIGURA 7-14 Netra T4 DC100 (Retro)

Collegamento alimentazione Netra T4 AC100



Precauzione – Il cavo Netra T4 AC100 è stato progettato per funzionare con sistemi di alimentazione monofase dotati di conduttore di messa a terra neutrale. Per evitare il rischio di scosse elettriche, non collegare l'unità a sistemi di alimentazione di altro tipo. Se non si è certi del tipo di alimentazione erogata nell'edificio, rivolgersi all'amministratore o a un tecnico qualificato.



Precauzione – Il prodotto Sun viene fornito con un cavo di alimentazione a tre fili con messa a terra. Per evitare il rischio di scosse elettriche, inserire sempre il cavo in una presa dotata di messa a terra.



Precauzione – La presa deve trovarsi vicino all'unità ed essere facilmente accessibile.



Precauzione – La spina della parte terminale del cavo CA rappresenta lo strumento principale per la disconnessione del prodotto.

Collegamento alimentazione Netra T4 DC100

I dispositivi di scollegamento per le operazioni di manutenzione sono definiti come segue:

- Gli interruttori di circuito in *entrambi* i conduttori di alimentazione negativi
- *Entrambi* i connettori di entrata CC

Nota – Il sistema Netra T4 DC100 deve essere installato in un *luogo ad accesso limitato*. IEC, EN e UL 60950 definiscono un luogo ad accesso limitato come un'area riservata esclusivamente a personale addetto qualificato con accesso protetto da meccanismo di chiusura, ad esempio chiave o scheda magnetica.

Prevenzione di incendi



Precauzione – Non utilizzare l'unità in presenza di gas infiammabili o esalazioni. L'uso di dispositivi elettrici in ambienti di questo tipo costituisce un grave rischio per la sicurezza.

Non toccare i circuiti interni



Precauzione – Solo a personale qualificato è consentito rimuovere i coperchi dell'unità per subassemblare o sostituire componenti o eseguire altre modifiche interne. In alcune condizioni, le tensioni risultano pericolose anche se è stata disattivata la fonte di alimentazione.

Batteria al litio



Precauzione – Ciascuna scheda madre è dotata di una batteria al litio che potrebbe esplodere se sostituita in modo non corretto. Nel caso in cui sia necessario sostituire la batteria, accertarsi che la nuova batteria sia dello stesso tipo di quella vecchia o di un tipo equivalente e leggere le istruzioni del produttore in merito allo smaltimento della batteria esaurita.

Unità DVD-ROM



Precauzione – Se si dispone di un'unità DVD-ROM, l'uso di comandi e regolazioni e l'esecuzione di procedure diverse da quelle specificati nel presente documento potrebbero esporre l'utente a radiazioni pericolose.

Nota sulla conformità dei dispositivi laser

I prodotti Sun che utilizzano la tecnologia laser sono conformi ai requisiti per i dispositivi di Classe 1.

CLASS 1 LASER PRODUCT
LASER KLASSE 1
APPAREIL A LASER
DE CLASSE 1

Manutenzione dei dischi DVD-ROM

Quando si utilizzano i dischi DVD, osservare le seguenti precauzioni:

- NON toccare il lato dei dati (il lato senza etichetta).
- NON applicare etichette di carta o scrivere su nessuna parte del disco, sul lato dei dati né su quello dell'etichetta.
- In presenza di polvere o impronte sul disco, pulirlo con un panno asciutto dal centro verso il bordo.
- NON esporre il disco alla luce solare diretta né ad alte temperature.



Precauzione – Non utilizzare benzene, diluente per vernici, detergente per dischi, repellente statico né alcun tipo di detergenti per lenti di lettori CD o DVD. Queste sostanze chimiche possono danneggiare la superficie del disco DVD-ROM e inoltre, depositandosi sulla spazzola per la pulizia delle lenti del lettore DVD-ROM ne riducono le prestazioni.

Nota – In alcuni casi, se la superficie del disco DVD-ROM non è pulita, il sistema potrebbe non avviarsi.

Precauzioni antistatiche



Precauzione – Indossare un cinturino da polso antistatico e utilizzare un tappetino protetto tramite sistema ESD durante la manipolazione dei componenti. Per le operazioni di manutenzione o la rimozione di componenti dell'unità del sistema, utilizzare un cinturino antistatico con automatico da 10mm e collegare il cinturino all'automatico posto sul retro o sulla parte anteriore dello chassis prima di rimuovere il coperchio superiore di accesso.

Collegamento del cinturino da polso antistatico

- Per collegare il cinturino antistatico allo chassis, attenersi alle procedure illustrate nella FIGURA 7-15 o FIGURA 7-16.

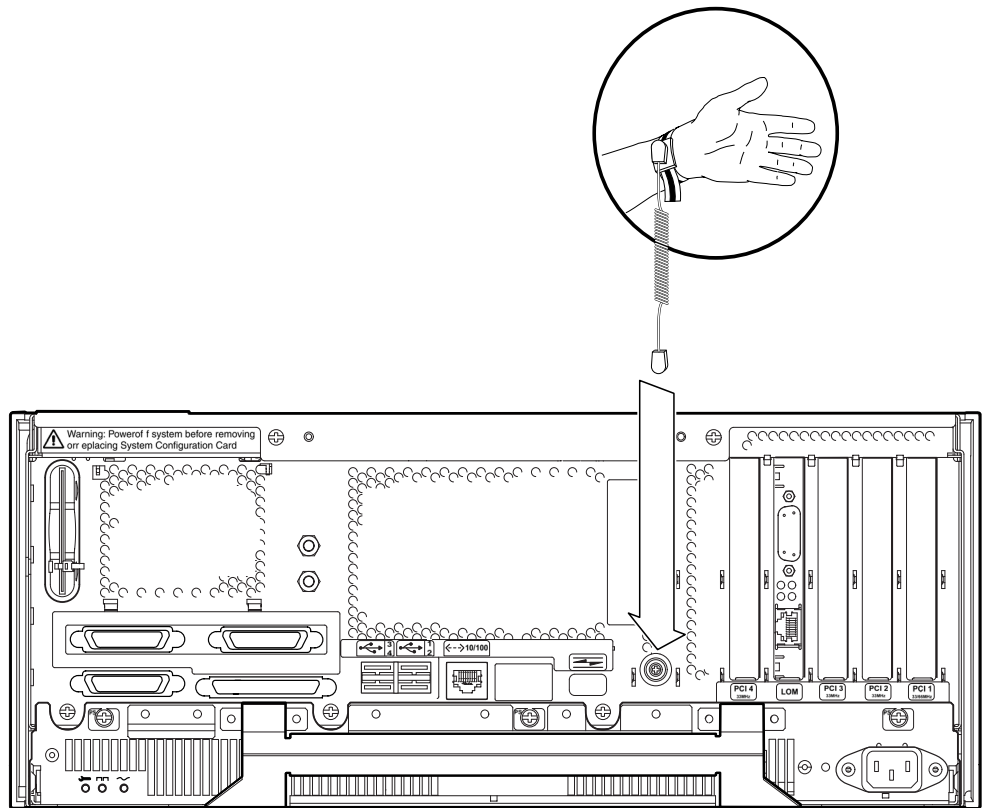


FIGURA 7-15 Collegamento del cinturino antistatico alla parte posteriore dello chassis

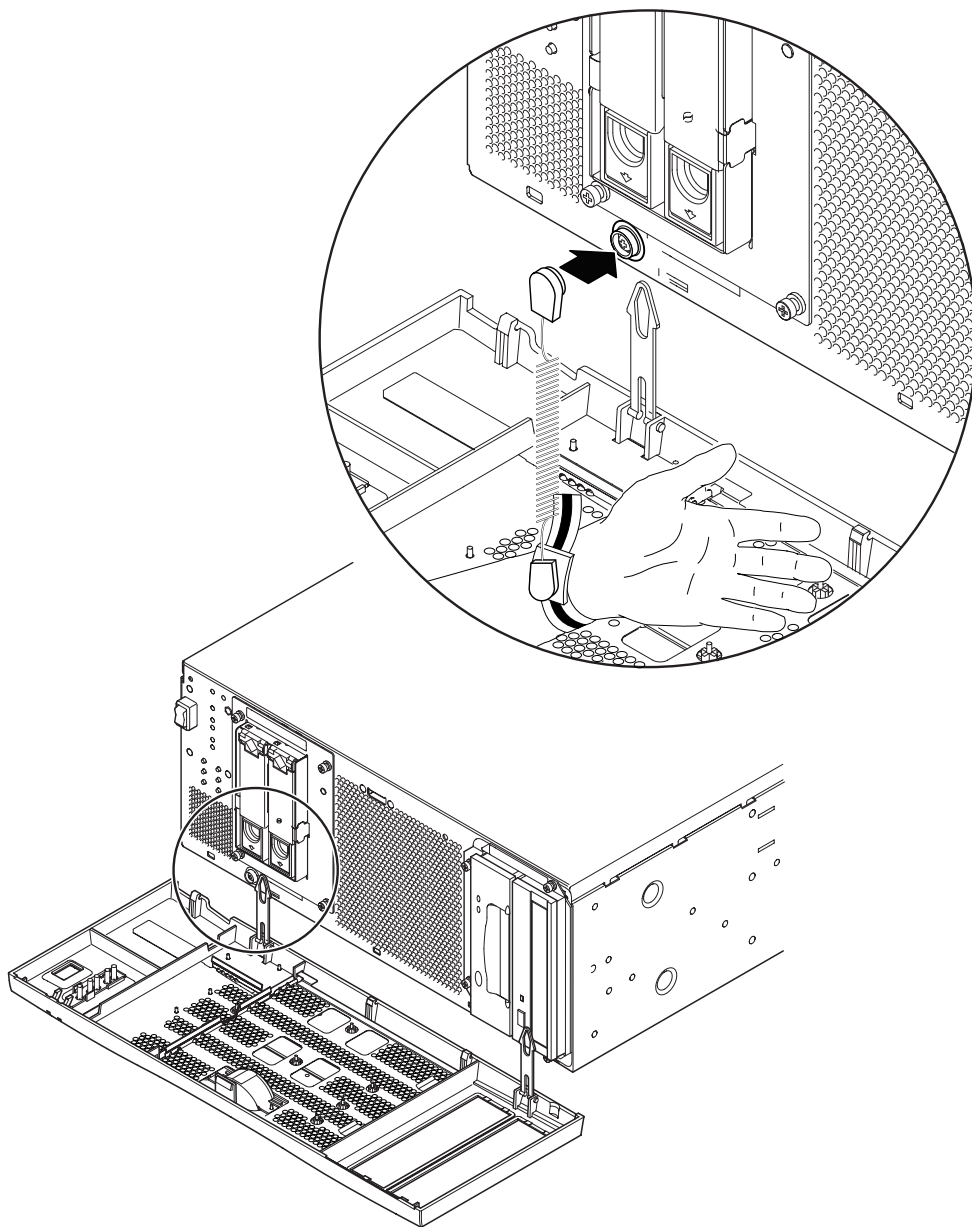


FIGURA 7-16 Collegamento del cinturino antistatico alla parte anteriore dello Chassis

Seguridad

Lea esta sección antes de realizar cualquier operación. En ella se detallan las medidas de seguridad que debe tomar al instalar productos de Sun Microsystems o realizar operaciones de mantenimiento.

Símbolos

Nota: Las notas proporcionan información adicional que el lector ha de tener en cuenta.



Precaución: El icono de atención proporciona información sobre procedimientos o circunstancias que, si no se tienen en cuenta, pueden provocar daños en los datos o en el hardware del sistema.



Precaución: El icono de peligro proporciona información sobre procedimientos que deben seguirse para disminuir el riesgo de descarga eléctrica y daños personales. Siga todas las instrucciones con cuidado.

Medidas de seguridad

Tome las medidas de seguridad siguientes durante todas las fases del funcionamiento, mantenimiento y reparación de este equipo. Si no se toman estas medidas o no se observan los avisos específicos que aparecen en este manual, se infringirá la normativa de seguridad relativa al diseño, fabricación y uso previsto de este equipo. Sun Microsystems no se hace responsable si el cliente no cumple estos requisitos.

Las medidas de seguridad aquí expuestas han de entenderse como avisos de peligros de los que Sun Microsystems tiene constancia. El usuario del producto ha de tener en cuenta estos avisos y todas las medidas de seguridad necesarias para garantizar que el equipo funcione sin riesgo alguno en el entorno operativo seleccionado.

No realice operaciones de mantenimiento ni ajuste sin ayuda



Precaución: No realice operaciones internas de mantenimiento ni ajuste a menos que esté presente otra persona con conocimientos de primeros auxilios.

Requisitos de seguridad

Por su propia seguridad, tome las medidas de seguridad siguientes al instalar el equipo:

- Siga todas las advertencias, avisos e instrucciones que aparecen en el equipo.
- Cerciérese de que el voltaje y la frecuencia de la fuente de alimentación coinciden con el voltaje y frecuencia indicados en la etiqueta de clasificación eléctrica del equipo.
- No introduzca objetos de ningún tipo por los orificios del equipo, ya que pueden entrar en contacto con puntos de alto voltaje y dar lugar a incendios, descargas eléctricas o daños en el equipo.
- Deje que las operaciones de mantenimiento del equipo las realice personal cualificado.

Levantamiento del equipo



Precaución: El tirador situado en la parte posterior del sistema se debe utilizar únicamente para retirar la PSU. No intente levantar el sistema utilizando este tirador.



Precaución: No utilice el asidero situado en la parte posterior de la cubierta superior de acceso para levantar el sistema.



Precaución: Debido al peso del sistema, no intente instalarlo o retirarlo de un bastidor sin ayuda de al menos otra persona.

Modificaciones en el equipo



Precaución: Debido a la posibilidad de aumentar los riesgos y de poner en peligro el cumplimiento de la normativa sobre emisiones, no instale piezas de recambio ni realice modificaciones no autorizadas en el equipo.

Si debe realizar operaciones de mantenimiento o reparación, póngase en contacto con el representante de asistencia de su área para así garantizar que se mantienen las características de seguridad. Sun Microsystems no se hace responsable del cumplimiento de la normativa en el caso de productos Sun que han sido modificados.

Colocación del equipo



Precaución: No deben obstruirse ni taparse los orificios del producto Sun. Los productos Sun nunca deben situarse cerca de radiadores ni de fuentes de calor. Si no sigue estas indicaciones, el producto Sun podría sobrecalentarse y la fiabilidad de su funcionamiento se vería afectada.

Según lo establecido en el apartado 1000 de la norma DIN 45 635, el nivel de ruido en el lugar de trabajo no debe ser superior a 70 Db (A).

Cumplimiento de la normativa para instalaciones SELV

Las condiciones de seguridad de las conexiones de entrada y salida cumplen los requisitos para instalaciones SELV (del inglés *Safe Extra Low Voltage*, voltaje bajo y seguro).

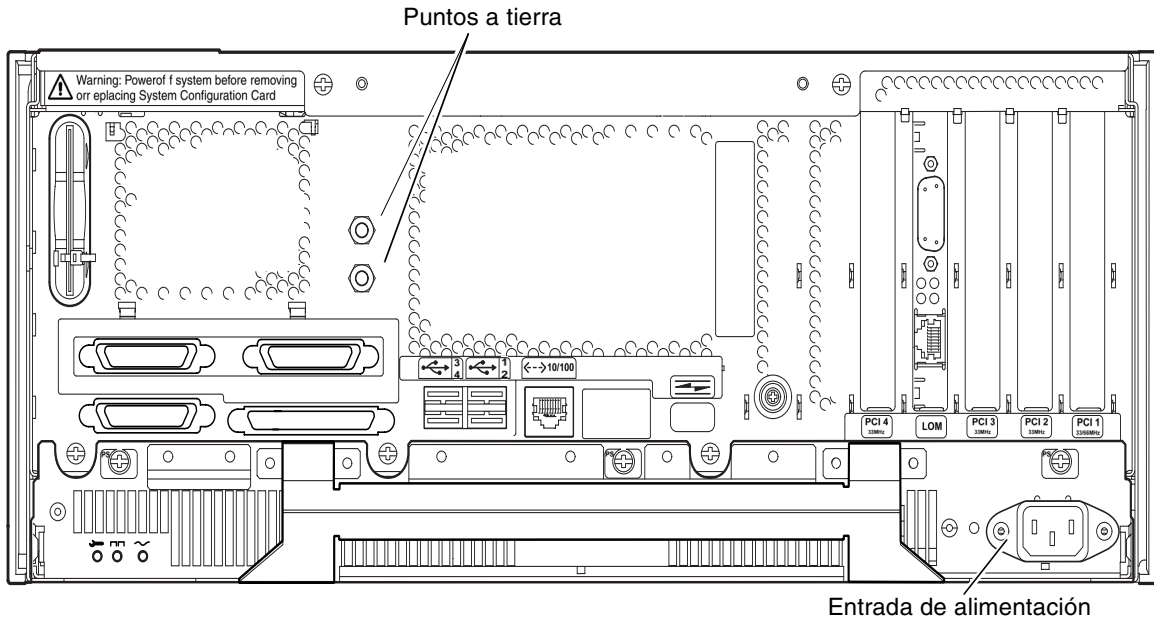


FIGURA 7-17 Netra T4 AC100 (parte posterior)

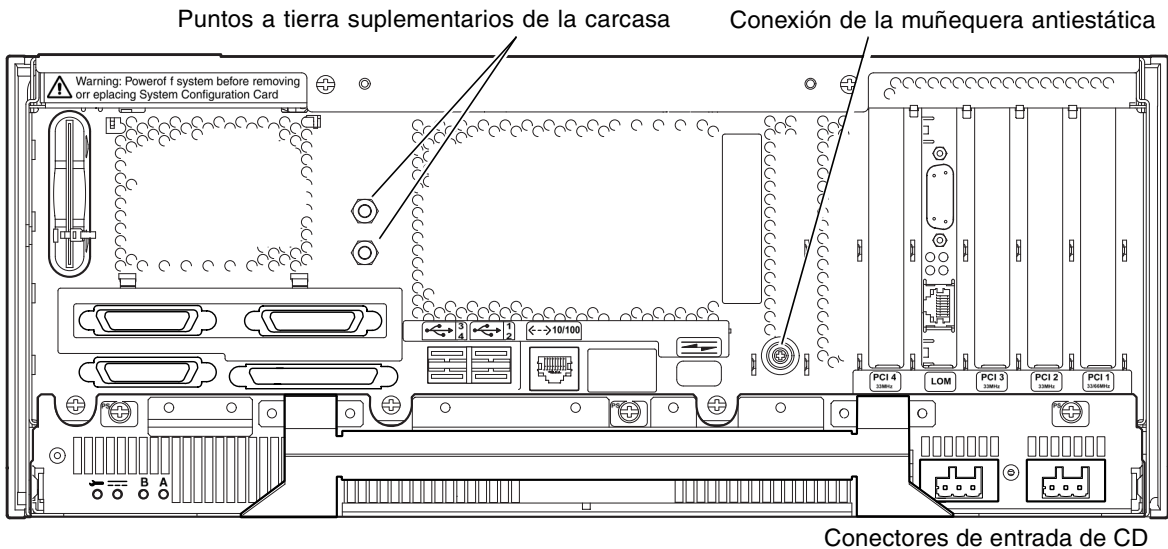


FIGURE 7-18 Netra T4 DC100 (parte posterior)

Conexión de alimentación de Netra T4 AC100



Precaución: Netra T4 AC100 se ha diseñado para sistemas de alimentación monofásicos que cuenten con un conductor neutro a tierra. Para reducir el riesgo de descargas eléctricas, no enchufe el equipo a otro tipo de sistema de alimentación. Si no está seguro del tipo de alimentación del que se dispone en el edificio, póngase en contacto con el encargado de las instalaciones o con un electricista cualificado.



Precaución: El producto Sun se comercializa con un cable de alimentación a tierra (de tres hilos). Para reducir el riesgo de descargas eléctricas, enchufe siempre el cable a una toma de tierra.



Precaución: La toma de alimentación debe estar situada cerca del equipo y debe ser de fácil acceso.



Precaución: El enchufe situado en uno de los extremos del cable de corriente alterna constituye el método principal para desconectar el producto.

Conexiones de alimentación de Netra T4 DC100

Los dispositivos de desconexión para las operaciones de mantenimiento son:

- Los disyuntores del circuito de *ambos* conductores de alimentación negativos
- *Ambos* conectores de entrada de CD

Nota: El sistema Netra T4 DC100 debe instalarse en un *lugar de acceso restringido*. En las normas IEC, EN y UL 60950 un lugar de acceso restringido se define como un área sólo para personal con las cualificaciones o formación necesarias y que está protegida por un mecanismo de cierre, como una cerradura o un sistema de tarjeta de acceso.

No utilice el equipo en entornos donde se puedan producir explosiones



Precaución: No utilice el equipo si existen gases inflamables o humos en el entorno. La utilización de cualquier equipo eléctrico en este entorno constituye un claro peligro.

No entre en contacto con circuitos con tensión



Precaución: Sólo el personal cualificado puede retirar las cubiertas del equipo para proceder a la reorganización, recambio o ajuste de los componentes internos. En determinadas circunstancias pueden producirse voltajes peligrosos aunque el equipo esté desconectado.

Batería de litio



Precaución: La placa base de cada sistema contiene una batería de litio que puede explotar si no se sustituye de forma correcta. En el caso poco probable de que se deba sustituir la batería, cerciórese de que la de recambio sea del mismo tipo que la original o de un tipo equivalente, y deshágase de la batería usada según las instrucciones del fabricante.

DVD-ROM



Precaución: Si se instala una unidad de DVD-ROM, la utilización de controles, ajustes o procedimientos distintos a los aquí especificados puede dar lugar a niveles de radiación peligrosos.

Aviso de cumplimiento de la normativa para la utilización de láser

Los productos Sun que utilizan tecnología láser cumplen los requisitos establecidos para los productos láser de clase 1.



Manejo de discos DVD-ROM

Tome las medidas siguientes cuando manipule discos DVD-ROM:

- NO toque la cara del disco que contiene los datos (esto es, la cara sin etiqueta).
- NO coloque etiquetas de papel ni escriba en ninguna parte del disco, ya sea en la cara de los datos o en la de la etiqueta.
- Si el disco tuviera polvo o huellas dactilares, límpielo pasando un paño seco desde el centro hacia fuera.
- NO coloque el disco en lugares donde pueda quedar expuesto a la luz solar directa o a altas temperaturas.



Precaución: No utilice benceno, disolventes de pintura, productos para limpiar discos o para eliminar la electricidad estática ni ningún otro tipo de producto para limpiar las lentes de CD o DVD. Estos productos químicos pueden dañar la superficie del disco DVD-ROM. Además, la acumulación de estos fluidos en el cepillo limpiador de la lente del lector de DVD-ROM puede reducir su eficacia.

Nota: En determinados casos, si la superficie de datos del disco DVD-ROM está sucia, puede que el sistema no se inicie.

Medidas frente a la electricidad estática



Precaución: Póngase una muñequera antiestática y utilice una almohadilla contra descargas electrostáticas (ESD) cuando manipule los componentes. Si debe realizar operaciones de mantenimiento o retirar componentes del sistema, utilice una muñequera antiestática con una conexión de botón de presión de 10 mm. Antes de retirar la cubierta superior de acceso, conecte la muñequera con el botón de presión situado en la parte posterior o frontal de la carcasa.

Conexión de la muñequera antiestática

- Para conectar la muñequera antiestática con la carcasa, coloque la muñequera como se indica en la FIGURA 7-19 o en la FIGURA 7-20.

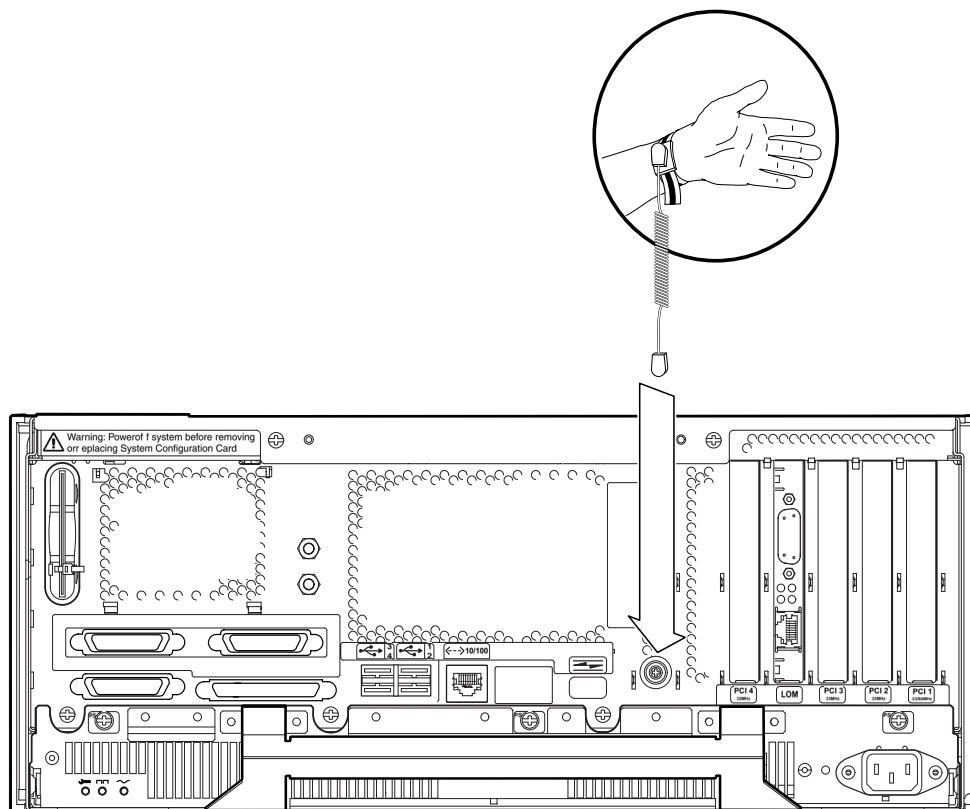


FIGURA 7-19 Conexión de la muñequera antiestática en la parte posterior de la carcasa

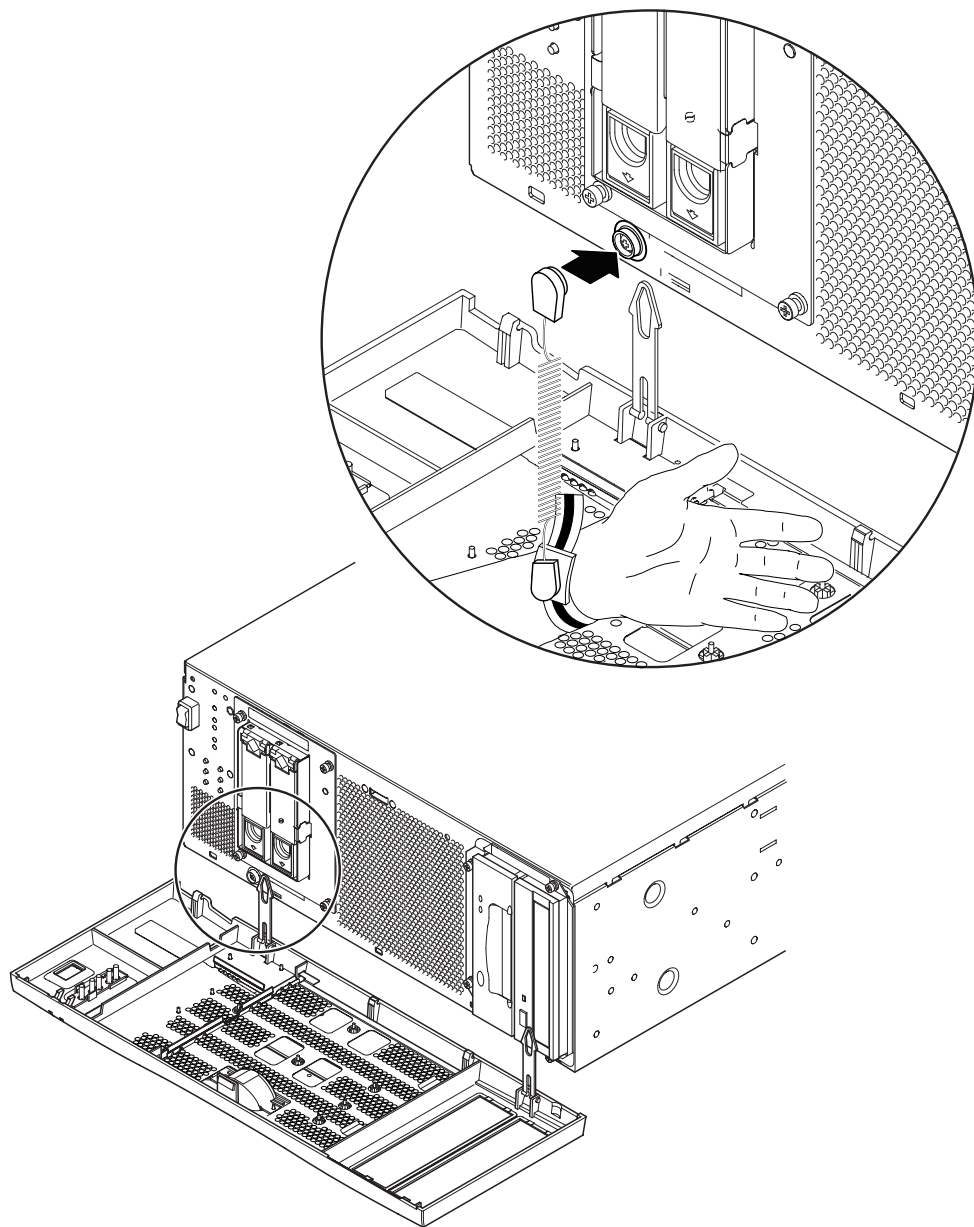


FIGURA 7-20 Conexión de la muñequera antiestática en la parte frontal de la carcasa

Säkerhet

Läs det här avsnittet innan du gör något annat. I nedanstående text ges säkerhetsföreskrifter som ska följas när du installerar eller utför service på en produkt från Sun Microsystems.

Symboler

Obs – Anmärkningar som läsaren bör ta hänsyn till.



Varning – Varningar som markeras med den här varningsikonen ger information om procedurer och händelser som kan skada data eller maskinvara i systemet om användaren inte tar hänsyn till varningarna.



Varning – Varningar som markeras med den här ikonen för risk ger information om procedurer som måste följas för att minimera risken för elektriska stötar och hälsofara. Följ alla instruktioner noggrant.

Säkerhetsföreskrifter

Följande allmänna säkerhetsföreskrifter måste följas under alla faser av användning, service och reparation av utrustningen. Om de här säkerhetsföreskrifterna eller specifika varningar på andra ställen i handboken inte följs är det ett brott mot utrustningens säkerhetsstandarder för utformande, tillverkning och avsedd användning. Sun Microsystems tar inget ansvar för kundens underlåtenhet att följa de här kraven.

Säkerhetsföreskrifterna nedan gäller varningar för vissa faror som Sun Microsystems är medvetna om. Du som använder produkten bör uppmärksamma de här varningarna och alla andra säkerhetsföreskrifter för att försäkra dig om säker användning av utrustningen i din operativmiljö.

Utför inte service eller justeringar på egen hand



Varning – Utför inte intern service eller justeringar om inte en annan person som har kunskap om första hjälpen och hjärt- och lungräddning är närvarande.

Säkerhetsföreskrifter

För din egen säkerhet bör du följa följande säkerhetsföreskrifter när du installerar utrustningen.

- Följ alla råd, varningar och instruktioner som är utmärkta på utrustningen.
- Kontrollera att strömkällans spänning och frekvens stämmer överens med den spänning och frekvens som anges på utrustningens elektriska märketikett.
- För aldrig in några typer av föremål i öppningar på utrustningen. De kan komma i kontakt med delar med hög spänning eller kortsluta komponenter och orsaka eld, elektriska stötar eller skada utrustningen.
- Låt kvalificerad servicepersonal sköta service av utrustningen.

Lyfta systemet



Varning – Handtaget på systemets baksida ska endast användas till att ta bort strömförsörjningsenheten. Försök inte lyfta hela systemet med hjälp av det handtaget.



Varning – Använd inte fingregreppet på baksidan av den övre åtkomstkåpan till att lyfta systemet.



Varning – På grund av systemets vikt bör du inte ensam försöka installera det eller ta bort det från ett rack. Åtminstone en till person bör vara närvarande.

Ändringar av utrustningen



Varning – Du bör inte installera reservdelar eller utföra några inte godkända ändringar av utrustningen eftersom det innebär ytterligare hälsofara och/eller kan orsaka brott mot föreskrifter beträffande strålning.

Se till att säkerheten upprätthålls genom att kontakta närmaste serviceföretag vid behov av service och reparationer. Sun Microsystems ansvarar inte för att en ändrad produkt från Sun uppfyller säkerhetsföreskrifterna.

Placering

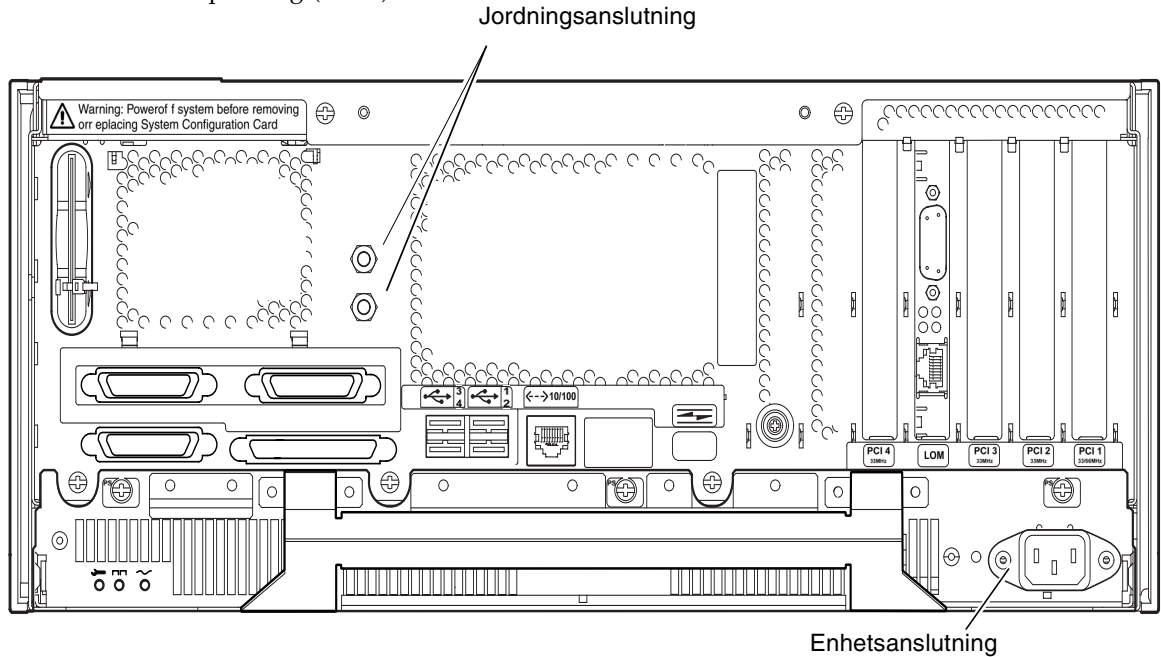


Varning – Blockera eller täck inte över öppningarna på produkten. Placera aldrig en Sun-produkt i närheten av ett element eller en värmeregulator. Om dessa riktlinjer inte följs kan produkten överhettas, vilket i sin tur påverkar produktens funktion.

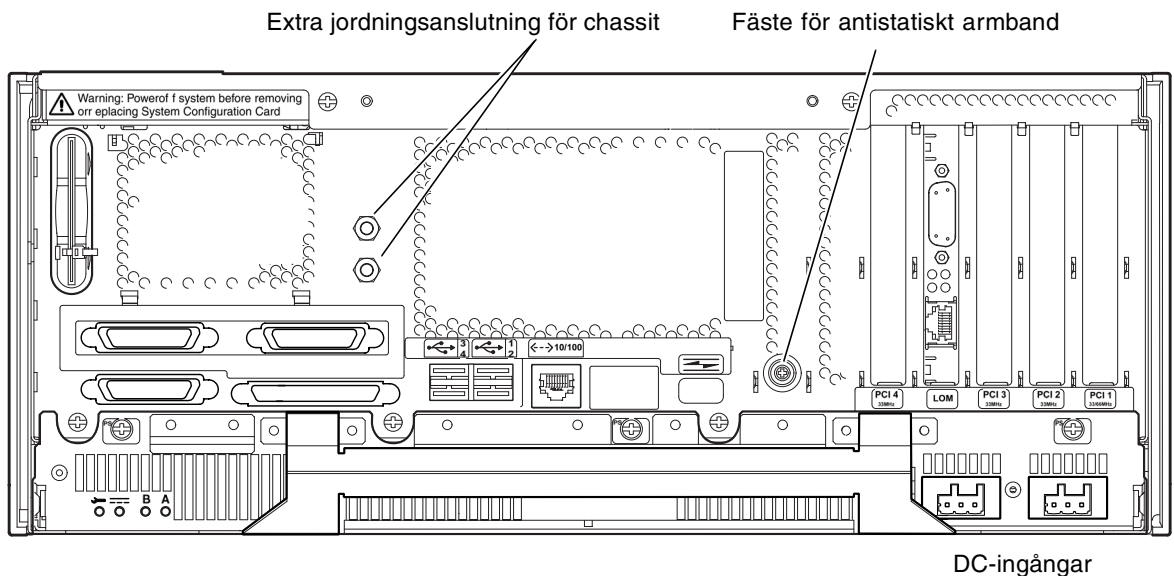
Den arbetsplatsberoende bullernivån som anges i DIN 45 635 del 1000 måste vara 70 dB (A) eller lägre.

Krav på extra låg spänning (SELV)

Säkerhetsstatus för I/O-anslutningarna överensstämmer med kraven på extra låg spänning (SELV).



FIGUR 7-21 Netra T4 AC100 (Baksida)



FIGUR 7-22 Netra T4 DC100 (Baksida)

Anslutning av Netra T4 AC100 till strömkälla



Varning – Netra T4 AC100 är avsedd att användas med enfasnät med en jordad neutral ledare. Minimera risken för elektriska stötar genom att inte ansluta utrustningen till någon annan typ av elnät. Kontakta den som ansvarar för lokalerna eller en utbildad elektriker om du är osäker på vilken typ av elnät som finns i ditt företags lokaler.



Varning – Sun-produkten levereras med en jordad nätsladd (tre ledare). Minimera risken för elektriska stötar genom att alltid ansluta sladden till ett jordat eluttag.



Varning – Se till att det finns ett lättåtkomligt vägguttag nära utrustningen.



Varning – Det normala sättet att koppla ur produkten är att dra ur strömkabeln ur vägguttaget.

Strömanslutningar för Netra T4 AC100

Följande fränkopplingsanordningar används vid underhåll:

- Krets brytarna i båda de negativa strömledarna
- Båda DC-ingångarna

Obs – Netra T4 DC100-systemet måste installeras i lokaler med begränsad åtkomst. I IEC, EN och UL 60950 definieras en lokal med begränsad åtkomst som ett område avsett endast för kvalificerad eller utbildad personal, där åtkomsten styrs av en låsningsmekanik såsom ett lås med nyckel eller ett passerkortssystem.

Använd inte utrustningen i närheten av explosiva ämnen



Varning – Använd inte utrustningen i närheten av brandfarliga gaser eller ångor. Det är en definitiv hälsofara att använda någon typ av elektrisk utrustning i sådana miljöer.



Ta inte i delar som kan vara strömförande

Endast utbildad servicepersonal bör ta bort skydd på utrustningen för att utföra interna monteringar, byta ut delar eller göra någon annan typ av intern justering. Under vissa förhållanden kan farlig spänning förekomma även när strömkabeln är fränkopplad.

Litiumbatteri



Varning – Alla systemmoderkort innehåller ett litiumbatteri som kan explodera om det sätts i på fel sätt. Om ett batteri skulle behöva bytas ut ersätter du det med ett nytt batteri av samma eller likvärdig typ och slänger det använda batteriet på ett säkert sätt i enlighet med tillverkarens instruktioner.

Varningar beträffande litiumbatterier i Norden

Norge



Varning – Litiumbatteri — Eksplosjonsfare. Ved utskifting benyttes kun batteri som anbefalt av apparatfabrikanten. Brukt batteri returneres apparatleverandøren.

Sverige



Varning – Explosionsfara vid felaktigt batteribyte. Använd samma batterityp eller en ekvivalent typ som rekommenderas av apparattillverkaren. Kassera använt batteri enligt fabrikantens instruktion.

Danmark



Varning – Litiumbatteri — Eksplosionsfare ved fejlagtig håndtering. Udskiftning må kun ske med batteri af samme fabrikat og type. Levér det brugte batteri tilbage til leverandøren.

Suomi



Varning – Paristo voi räjähtää, jos se on virheellisesti asennettu. Vaihda paristo ainoastaan laitevalmistajan suosittelemaan tyyppiin. Hävitä käytetty paristo valmistajan ohjeiden mukaisesti.



Dvd-enhet

Om en dvd-enhet är installerad och du använder kontroller, gör ändringar eller använder andra tillvägagångssätt än dem som beskrivs här finns det risk för att du utsätts för skadlig strålning.

Information om laserkrav

Produkter från Sun som utnyttjar laserteknik uppfyller laserkraven för Klass 1.

CLASS 1 LASER PRODUCT
LASER KLASSE 1
APPAREIL A LASER
DE CLASSE 1

Hantering av dvd-skivor

Vidta följande säkerhetsåtgärder när du hanterar dvd-skivor:

- Rör INTE skivans datasidan (den sida som inte har någon etikett).
- Fäst INTE pappersetiketter eller skriv på någon del av skivan, datasida eller etikettsida.
- Om damm eller fingeravtryck hamnar på skivan torkar du den med en torr trasa, från skivans mitt ut mot kanten.
- Placera INTE skivan där den kan utsättas för direkt solljus eller höga temperaturer.



Varning – Använd inte bensin, lösningsmedel, rengöringsmedel för diskar, medel mot statisk elektricitet eller någon annan typ av cd- eller dvd-linsrengöringsmedel. De kemikalierna kan skada ytan på dvd-skivan. Dessutom kan ämnen i vätskorna ansamlas på linsrengöringsborsten i dvd-läsaren, vilket minskar effektiviteten.

Obs – I vissa fall, om dataytan på dvd-skivan inte är ren, kommer systemet inte att starta.

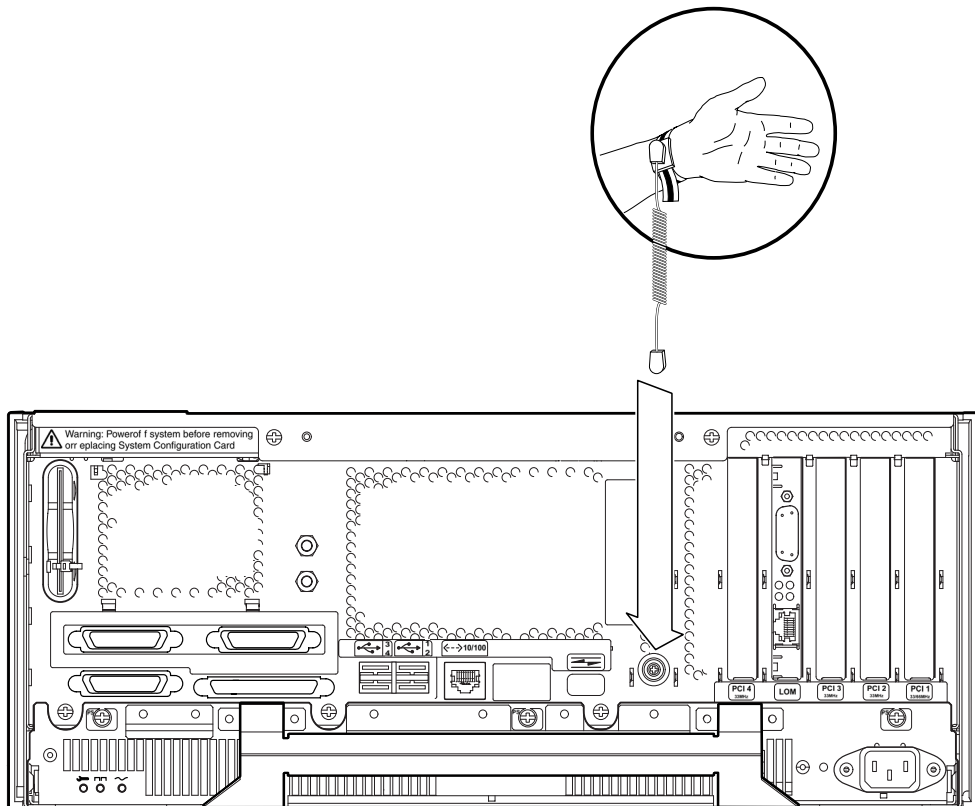
Eliminera statisk elektricitet



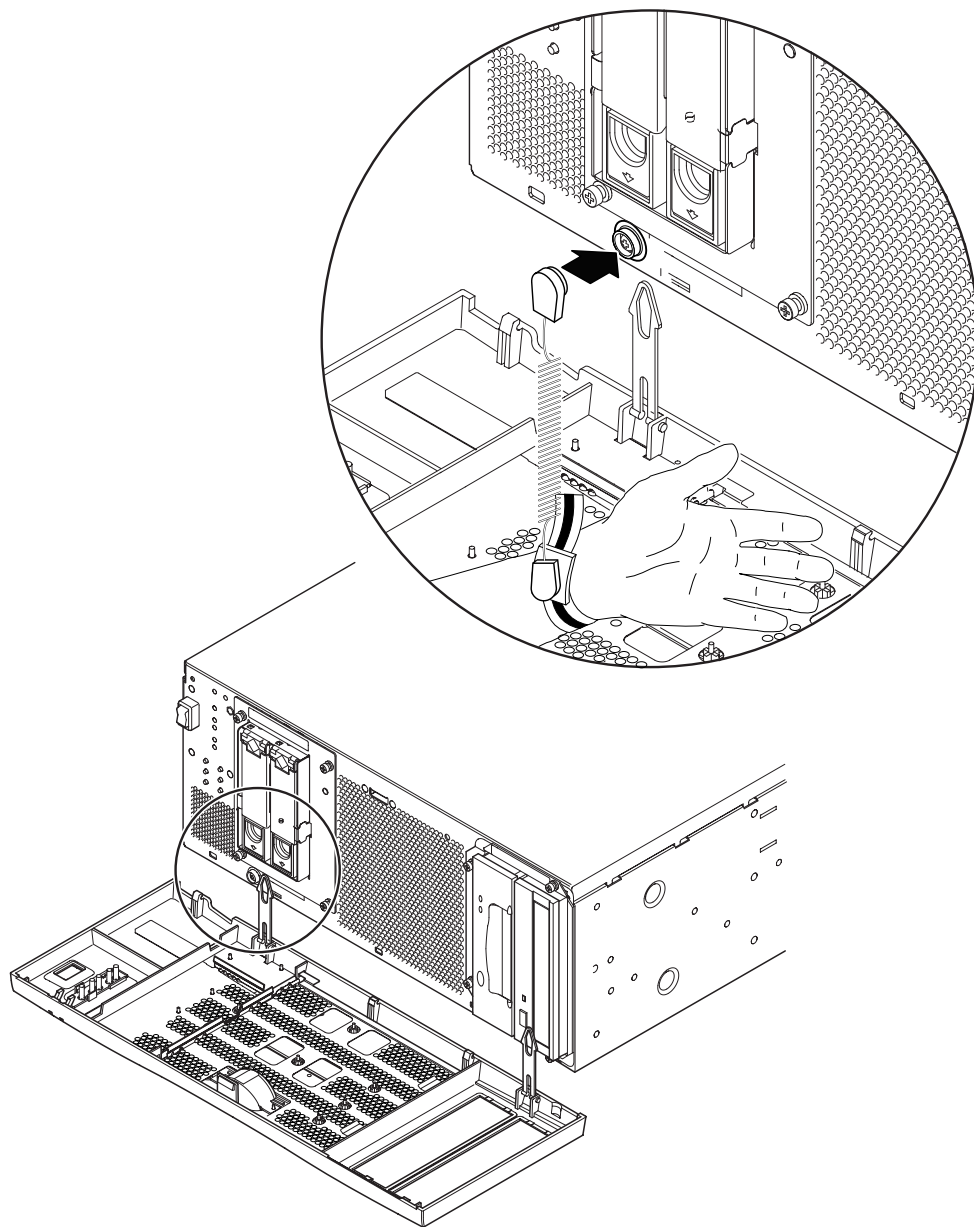
Varning – Använd ett antistatiskt armband och en ESD-skyddad matta när du hanterar komponenter. När du utför service eller tar bort systemkomponenter bör du använda ett antistatiskt armband med en 10 mm tryckknappsförslutning och sätta fast det antistatiska armbandet med hjälp av tryckknapparna vid chassits fram- eller baksida innan du tar bort den övre åtkomstkåpan.

Sätta fast det antistatiska armbandet

- Sätt fast det antistatiska armbandet vid chassit genom att ansluta bandet enligt FIGUR 7-23 eller FIGUR 7-24.



FIGUR 7-23 Sätta fast det antistatiska armbandet vid chassits baksida



FIGUR 7-24 Sätta fast det antistatiska armbandet vid chassits framsida

安全のための注意事項

操作を開始する前に、この章を読んでください。この章では、サンの製品を安全に設置または保守するための注意事項について説明します。

記号について

注 - この注記では、考慮する必要がある注意事項を示します。



注意 - この注意アイコンで示されている注意事項に従わなかった場合、システムのデータまたはハードウェアが破損する可能性があります。



注意 - この危険アイコンで示されている注意事項に従わなかった場合、感電または怪我をする危険性があります。すべての指示に注意して従ってください。

取り扱いの注意

この装置を安全に操作、保守、修理するための注意事項を次に示します。これらの注意事項やこのマニュアルに記載されている警告に従わなかった場合、装置の設計および製造、使用目的の安全水準が侵害されます。Sun Microsystems, Inc. は、これらの要件を満たさないお客様に対して一切の責任を負いません。

次の取り扱いの注意は、Sun Microsystems, Inc. が認識している危険性に対する警告です。製品ユーザーとして注意すべきこれらの警告およびその他の安全のための注意事項をよく読んで、使用しているオペレーティング環境で装置を安全に使用してください。

1 人で保守または調整を行わない



注意 – 応急処置または蘇生術を習得している人が側にいない場合は、内部保守または調整を行わないでください。

安全性の要件

装置を設定する場合には、次の安全のための注意事項に従ってください。

- 装置に記載されているすべての注意事項および警告、指示に従ってください。
- ご使用の電源の電圧や周波数が、装置の電気定格表示と一致していることを確認してください。
- 装置の開口部に物を差し込まないでください。内部は高電圧になります。金属など導体を入れるとショートして、発火、感電、装置の損傷の原因となることがあります。
- 装置の保守については、認定された作業員に問い合わせてください。

運搬について



注意 – システムの背面にあるハンドルは、PSU を取り外すときにだけ使用してください。このハンドルを使用してシステムを持ち上げないでください。



注意 – 上部アクセスカバーの背面にあるフィンガーグリップを使用してシステムを持ち上げないでください。



注意 – システムはかなりの重量があるため、ラックへの取り付けやラックからの取り外しは、2人以上で行ってください。1人では行わないでください。

装置の改造



注意 – 代用部品の取り付けまたは認定されない装置の改造を行わないでください。別の障害を引き起こす危険性や、放出電流の規制条件に違反する恐れがあります。

保守および修理については、購入先に連絡して、安全性に関する機能が確実に保持されるようにしてください。Sun Microsystems, Inc. は、改造されたサンの製品に対して一切の責任を負いません。

設置場所



注意 – 装置の開口部を塞いだり覆ったりしないでください。また、装置の近くに放熱機器を置かないでください。このガイドラインに従わないと、装置が過熱し、信頼性が損われます。

ドイツ規格協会 (DIN) 45 635 第 1000 部で定められている作業環境の騒音の水準が 70DB(A) 以下である必要があります。

SELV 対応

I/O 接続の安全状態は、SELV (Safety Extra Low Voltage) の条件を満たしています。

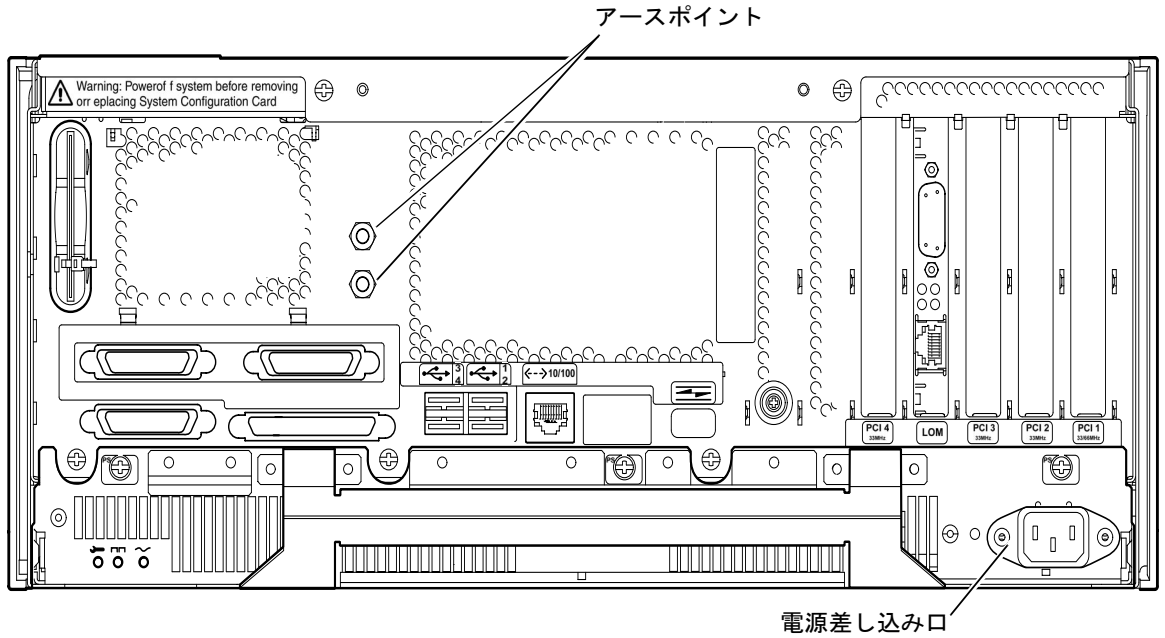


図 7-25 Netra T4 AC100 (背面図)

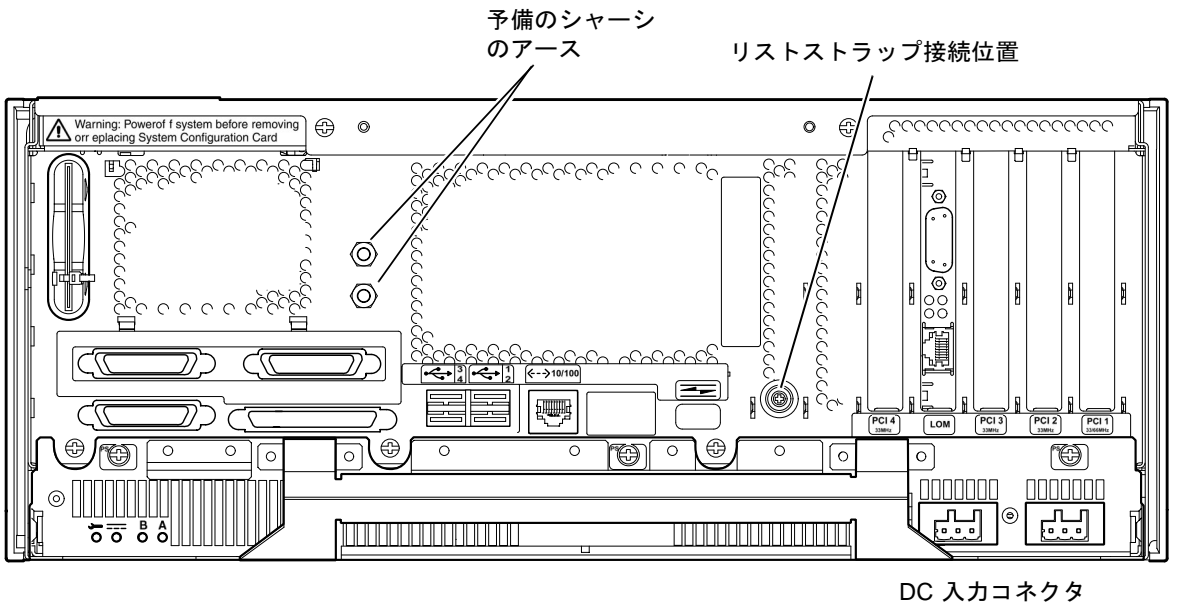


図 7-26 Netra T4 DC100 (背面図)

Netra T4 AC100 の電源接続



注意 – Netra T4 AC100 は、アースされた中性線を持つ単相電力系を使用する設計になっています。他の種類の電源に装置を接続すると、感電や故障の原因になります。建物に供給されている電力の種類がわからない場合は、施設の管理者または認定された技術者に問い合わせてください。



注意 – この製品の製品には、アース付き (3 線式) の電源コードが付属しています。必ずアースされたコンセントに電源コードを接続してください。



注意 – 作業が容易にできるように、装置の近くに電源コンセントを取り付けてください。



注意 – Netra T4 AC100 システムを完全に切断するには、AC 電源コード先端のプラグを抜きます。

Netra T4 DC100 の電源接続

保守用の電源切断装置は、次のとおりです。

- 両方のマイナスの電源供給導線上の回路遮断器
- 両方の DC 入力コネクタ

注 – Netra T4 DC100 システムは、「アクセスが制限された場所」に設置する必要があります。IEC および EN、UL 60950 では、アクセスが制限された場所を、認定されたまたはトレーニングを受けた保守作業員だけが出入りし、キーロックやアクセスカードシステムなどのロック機構によって制御されている場所と定義しています。

爆発の危険がある環境での操作の禁止



注意 – 可燃性ガスまたは煙のある場所では、装置を操作しないでください。このような環境での電気装置の操作は、非常に危険です。

動作している回路に近づかない



注意 – トレーニングを受けた作業員だけが、内部サブアセンブリの取り外し、またはコンポーネントの交換、その他の内部調整を行うために装置カバーを取り外すことができます。状況によっては、電源装置を取り外したあとでも、高電圧が流れている場合があります。

リチウム電池



注意 – 各システムのマザーボードには、リチウム電池が含まれています。正しく交換しないと、爆発の危険性があります。電池の交換が必要になる可能性はきわめて低いですが、交換が必要になった場合は、同じまたは同等のタイプの電池を使用してください。使用済みの電池は、製造者の指示に従って、安全に処理してください。

DVD-ROM



注意 – DVD-ROM が取り付けられている場合、このマニュアルに記載されていない操作を行うと、有害な電波や光線が漏れる可能性があります。

レーザー規定適合について

サンの製品は、レーザー規定クラス 1 に準拠するレーザー技術を使用しています。

CLASS 1 LASER PRODUCT
LASER KLASSE 1
APPAREIL A LASER
DE CLASSE 1

DVD-ROM ディスクの取り扱い

DVD-ROM ディスクを取り扱う場合は、次のことに注意してください。

- ディスクのデータ側 (ラベルのない側) に触れないでください。
- ディスクのデータ側およびラベル側のいずれにも、紙のラベルを貼らないでください。
- ほこりや指紋がディスクに付着した場合、ディスクの中心から外側へ向かって乾いた布で拭いてください。
- ディスクを直射日光の当たる場所または高温になる場所に置かないでください。



注意 - ベンジンまたは塗料用シンナー、レコードクリーナー、静電気防止剤、CD や DVD のレンズクリーナーを使用しないでください。これらの化学物質によって、DVD-ROM ディスクの表面が損傷する可能性があります。また、これらの流体は DVD-ROM の読み取り装置のレンズクリーナーブラシに付着し、効果を低下させます。

注 - 状況によっては、DVD-ROM ディスクのデータ側の表面が汚れていると、システムが起動しない場合があります。

静電気防止に関する注意事項



注意 – コンポーネントを取り扱う場合は、静電気防止用リストストラップを着用し、ESD 保護マットを使用してください。システム本体のコンポーネントを保守または取り外す場合は、10 mm のスナップボタンに接続された静電気防止用リストストラップを使用します。上部アクセスカバーを取り外す前に、静電気防止用リストストラップをシャーシの背面または正面にあるスナップボタンに接続してください。

静電気防止用リストストラップの接続

- 図 7-27 および図 7-28 に示すように、静電気防止用リストストラップをシャーシに接続します。

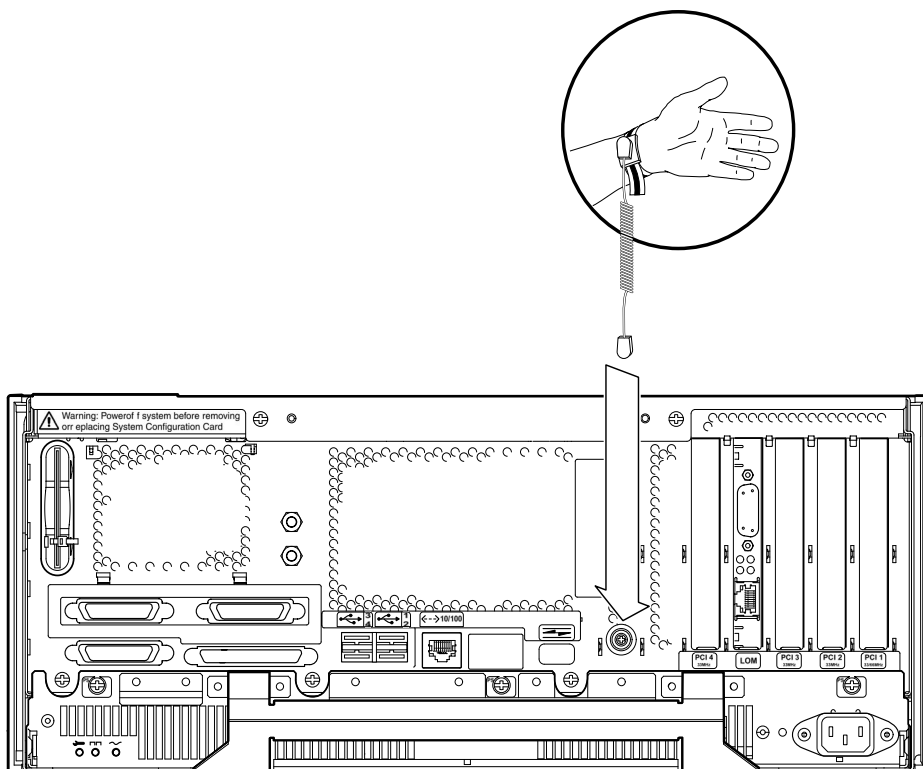


図 7-27 シャーシ背面への静電気防止用リストストラップの接続

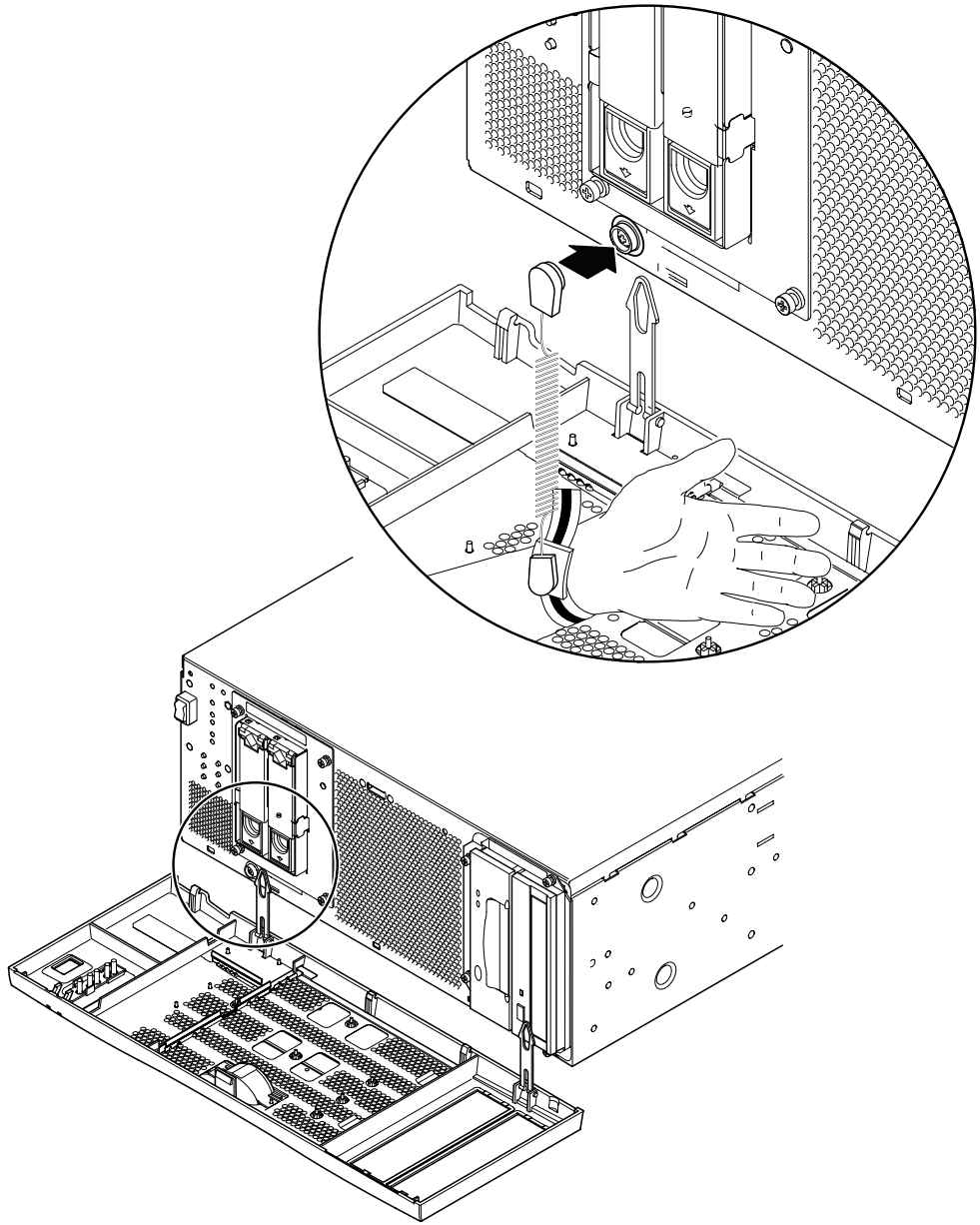


図 7-28 シャーシ正面への静電気防止用リストストラップの接続

안전 사항

절차를 수행하기 전에 다음 절의 내용을 읽으십시오. 다음은 Sun Microsystems 제품을 설치하거나 수리할 때 따라야 하는 안전 예방책에 대한 설명입니다.

기호

주 - 참고는 사용자가 고려해야 할 내용에 대한 설명입니다.



주의 - 이 주의 아이콘이 있는 내용은 지키지 않을 경우 데이터 또는 시스템 하드웨어를 손상시킬 수 있는 프로시저 또는 이벤트에 대한 설명입니다.



주의 - 이 위험 아이콘이 있는 내용은 감전 및 신체 상해의 위험을 줄이기 위해 반드시 따라야 하는 프로시저에 대한 설명입니다. 모든 지침을 신중하게 따르십시오.

안전 예방책

장비의 모든 작동 및 서비스, 수리 시 다음의 일반 안전 예방책을 준수해야 합니다. 이러한 예방책 또는 이 설명서 여러 곳에 있는 특정 경고를 준수하지 않는 것은 이 장비의 설계, 제조 및 사용에 대한 안전 기준을 위반하는 것입니다. Sun Microsystems는 이러한 요구 사항을 준수하지 않는 고객에 대한 책임이 없습니다.

아래에 나열된 안전 예방책은 Sun Microsystems가 인지하고 있는 특정 위험에 대한 경고를 나타냅니다. 제품 사용자는 운영 환경에서 장비의 안전 작동에 필요한 경고 및 기타 안전 예방책에 주의해야 합니다.

스스로 서비스하거나 조정하지 마십시오.



주의 - 응급 조치와 인공 호흡을 실시할 수 있는 다른 사람이 없을 경우 혼자 내부를 열거나 조정하지 마십시오.

안전 요구 사항

사용자 보호를 위해, 장비를 설치할 때 다음의 안전 예방책을 준수하십시오.

- 장비에 표시된 모든 주의 사항, 경고 및 지침을 준수합니다.
- 전원의 전압 및 주파수 정격이 장비에 부착된 전기 정격 레이블에 쓰여진 전압 및 주파수와 일치하는지 확인합니다.
- 장비 속으로 어떠한 물체도 집어넣어서는 안됩니다. 이러한 물체는 고압 지점 또는 단락 구성 요소에 닿을 수 있으며 따라서 화재, 감전, 장비에 대한 손상이 발생할 수 있습니다.
- 공인된 기술자에게 장비의 서비스를 의뢰합니다.

운반



주의 - 시스템 후면의 손잡이는 PSU 제거 전용입니다. 이 손잡이를 사용하여 시스템을 들지 마십시오.



주의 - 상단 액세스 커버의 후면에 있는 손잡이를 사용하여 시스템을 들지 마십시오.



주의 - 시스템은 무거우므로 혼자서 랙에 설치하거나 제거하지 마십시오. 최소한 한 명이상이 더 필요합니다.

장비 변형



주의 - 이 밖에 더 많은 위험이 발생하거나 방출 준수 규정을 위반할 가능성이 있으므로 대체 부품을 설치하거나 승인되지 않은 장비 개조를 수행하지 마십시오.

안전 기능이 유지되는지 확인하려면 해당 지역의 서비스 센터에 서비스 및 수리를 문의하십시오. Sun Microsystems는 변형된 Sun 제품의 정상 작동에 대해 책임을 지지 않습니다.

배치



주의 - Sun 제품의 개폐구를 막거나 덮지 마십시오. Sun 제품을 라디에이터나 난방 제품 가까이에 두지 마십시오. 이 지침을 준수하지 않으면 Sun 제품이 과열되어 정상적인 작동에 영향을 줄 수 있습니다.

DIN 45 635 Part 1000에 정의된 작업 공간 소음 수준은 70dB(A) 이하여야 합니다.

SELV 규격 준수

I/O 연결의 안전 상태는 SELV 요구 사항을 준수합니다.

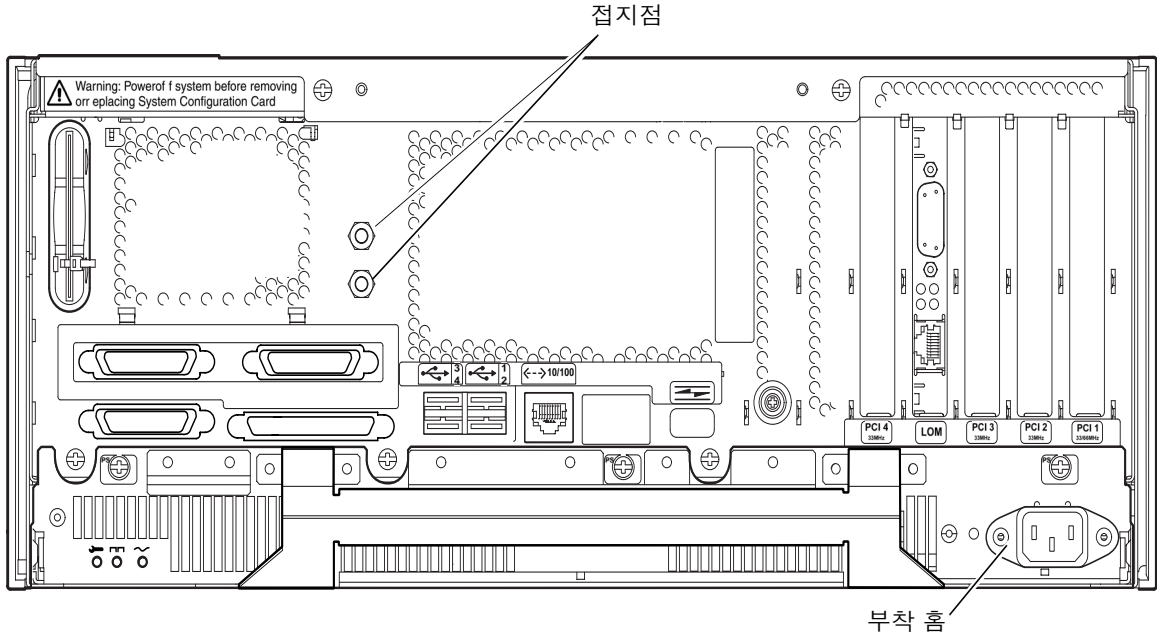
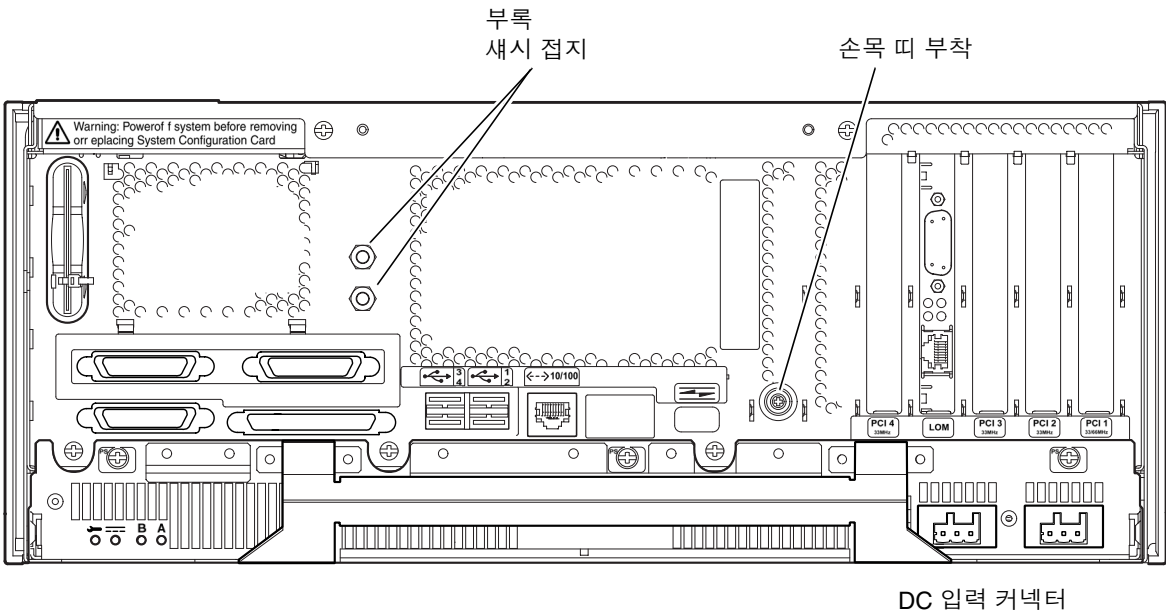


그림 7-29 Netra T4 AC100(후면)



DC 입력 커넥터

그림 7-30 Netra T4 DC100(후면)

Netra T4 AC100 전원 연결



주의 - Netra T4 AC100은 접지된 중성 컨덕터(반도체)가 있는 단상 전원 시스템에서 작동하도록 개발되었습니다. 감전의 위험을 줄이려면 Sun 제품을 다른 유형의 전원 시스템에 꼽지 마십시오. 설치 장소에 공급되는 전원 유형을 정확하게 모르는 경우, 설비 관리자 또는 전기 기술자에게 문의하십시오.



주의 - Sun 제품은 접지 유형(3선) 전원 코드가 함께 제공됩니다. 감전의 위험을 줄이려면 전원 코드를 항상 접지된 전원 콘센트에 연결하십시오.



주의 - 콘센트는 장비 가까이 설치해야 하며 쉽게 접근할 수 있어야 합니다.



주의 - AC 전원 코드 끝의 플러그는 이 제품의 주요 절연 수단입니다.

Netra T4 DC100 전원 연결

서비스를 위한 연결 해제 장치는 다음과 같습니다.

- 양쪽 음 공급 컨덕터의 회로 차단기
- 양쪽 DC 입력 커넥터

주 - Netra T4 DC100 시스템은 출력이 제한된 장소에 설치되어야 합니다. IEC, EN 및 UL 60950은 출력이 제한된 장소를 자격있고 훈련받은 사람만이 접근할 수 있는, 키 잠금이나 출입 카드 등으로 잠금 메커니즘이 제어되는 장소로 정의하고 있습니다.

폭발성이 있는 환경에서 작동시키지 마십시오.



주의 - 인화성 휘발유 또는 가스가 있는 곳에서 장비를 작동시키지 마십시오. 이러한 환경에서 모든 전기 장비의 작동은 위험할 수 있습니다.

전기가 흐르는 회로 가까이에 두지 마십시오.



주의 - 훈련된 기술자만이 내부 조립이나 부품 교체, 내부 조정을 위해 장비 덮개를 열 수 있습니다. 특정 조건 하에서는 전원 공급 장치를 제거한 경우에도 고압 전류가 흐를 수 있습니다.

리튬 전지



주의 - 각 시스템 마더보드에는 잘못 교체할 경우 폭발할 수 있는 리튬 전지가 있습니다. 드물게, 전지를 교체해야 하는 경우 교체 전지가 동일하거나 같은 유형인지 확인하고 폐전지는 제조업체의 지침에 따라 안전하게 폐기하십시오.

DVD-ROM



주의 - DVD-ROM이 적합한 경우, 여기에 규정된 범위를 벗어난 절차의 수행, 조정 또는 제어 기능의 사용은 유해한 방사선 유출을 초래할 수 있습니다.

레이저 규정 준수 고지 사항

레이저 기술을 사용하는 Sun 제품은 클래스 1 레이저 규정을 준수합니다.

CLASS 1 LASER PRODUCT
LASER KLASSE 1
APPAREIL A LASER
DE CLASSE 1

DVD-ROM 디스크 취급

DVD-ROM 디스크를 다룰 때 다음 예방책을 준수하십시오.

- 디스크의 데이터 면(레이블이 없는 디스크 면)을 만지지 마십시오.
- 디스크의 데이터 면 또는 레이블 면, 어느 면에도 종이 레이블을 붙이거나 쓰지 마십시오.
- 디스크에 먼지나 지문이 묻을 경우 디스크의 중심에서 가장자리로 마른 천을 사용하여 닦으십시오.
- 직사광선을 받거나 고온인 장소에 디스크를 두지 마십시오.



주의 - 벤젠, 페인트 시너, 레코드 세제, 정전기 방지제, 모든 종류의 CD 또는 렌즈 세제를 사용하지 마십시오. 이러한 화학 물질은 DVD-ROM 디스크 표면을 손상시킬 수 있습니다. 이 밖에 이러한 액체는 DVD-ROM 판독 장치의 렌즈 청소 브러시에 쌓여 성능을 저하시킵니다.

주 - 일부 경우 DVD-ROM 디스크의 데이터 면이 깨끗하지 않으면 시스템이 부팅되지 않을 수 있습니다.

정전기 방지: 예방책



주의 - 구성 요소를 다룰 때 정전기 방지 손목 띠를 착용하고 ESD 보호 매트를 사용하십시오. 시스템 장치 구성 요소를 서비스하거나 제거할 때 맨 위의 액세스 커버를 열기 전에 10mm 압력 스테드가 연결된 정전기 방지 손목 띠를 사용하고 정전기 방지 손목 띠를 새시의 후면 또는 전면의 압력 스테드에 부착하십시오.

정전기 방지 손목 띠 부착

- 정전지 방지 손목 띠는 그림 7-31 또는 그림 7-32과 같이 새시에 부착합니다.

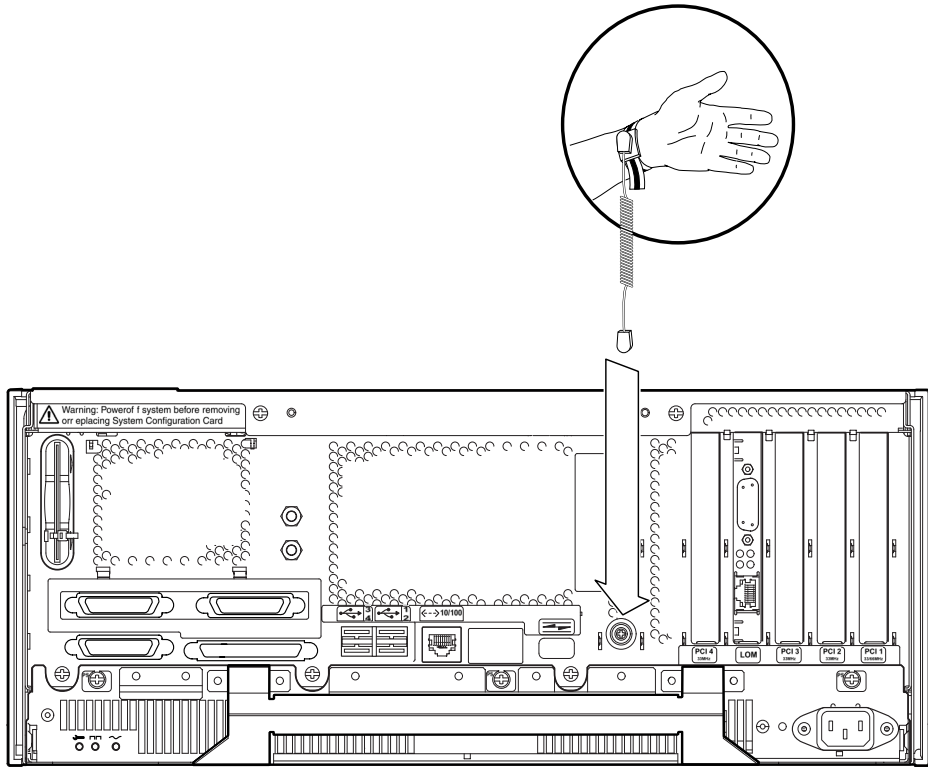


그림 7-31 새시 후면에 정전기 방지 손목 띠 부착

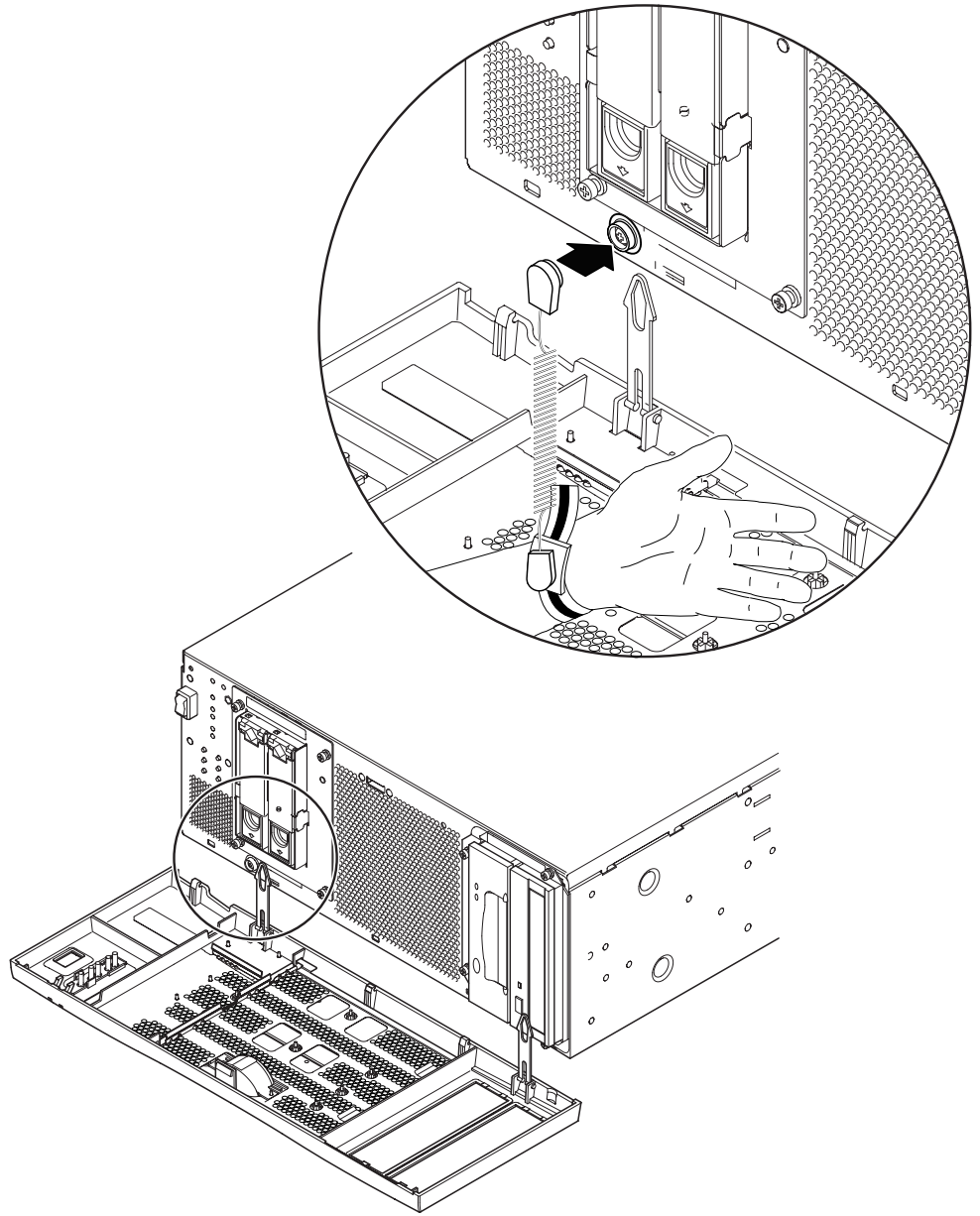


그림 7-32 새시 전면에 정전기 방지 손목 띠 부착

安全性

开始任何操作之前请先阅读本部分。安装或维护 Sun Microsystems 的产品时必须遵循下述安全预防措施。

符号

注意 - “注意”提供读者应该考虑的信息。



警告 - 用此警告图标表示的“警告”，提供若不考虑就可能破坏数据或系统硬件的过程或事件的信息。



警告 - 由此危险图标表示的“警告”，提供为降低电击风险和人身伤害危险必须遵守的过程的信息。请仔细根据所有说明操作。

安全预防措施

在设备的各个操作、服务和维修阶段都必须遵守以下一般性安全防范措施。若不遵守这些防范措施或本手册其它地方的特别警告，就会违反设备的设计、制造和使用安全标准。Sun Microsystems 不对客户未达到要求的情况负担任何责任。

下面的安全防范措施是 Sun Microsystems 已经注意到的某些危险的警告。使用本产品时应注意这些警告以及对在您的操作环境下安全操作本设备必需的所有其它安全防范措施。

不要单独进行维修或调整



警告 – 不要进行内部维修或调整，除非有另一位能够寻求紧急协助的人在场。

安全性要求

为了确保安全，在设置设备时，请遵循下列安全预防措施：

- 遵循设备上标记的所有警告、告警和指导说明。
- 确保电源的电压和额定频率与贴在设备上的电流额定值标签上记录的电压和频率相符。
- 不要将任何种类的物体穿过设备上的开口。它们可能会触到危险的电压点或短路组件，导致火灾、电击或设备损坏。
- 设备维护请咨询合格人员。

提起



警告 – 系统背部的手柄仅用于卸下 PSU。不要使用此手柄提起系统。



警告 – 不要使用上检修盖背部的手柄提起系统。



警告 – 由于系统重量，不要一个人将系统安装到机架中或从机架上卸下系统。至少还须一人。

设备的改装



警告 – 因为可能引起其它危险和/或危险的辐射，所以不要在设备中安装替换部件或进行任何未经授权的改装。

有关服务和维修，请与您当地的技术支持机构联系，以确保安全。Sun Microsystems 不对改装的 Sun 产品的规章符合性负责。

放置



警告 – 不要堵塞或遮住 Sun 产品的开口部位。切勿将 Sun 产品置于散热器或热通风调节器附近。不遵守上述原则可导致设备过热，从而影响 Sun 产品的可靠性。

DIN 45 635 部件 1000 中规定的工作场所噪音级别必须为 70dB(A) 或小于 70dB(A)。

SELV 符合性

I/O 连接的安全状态符合 SELV 要求。

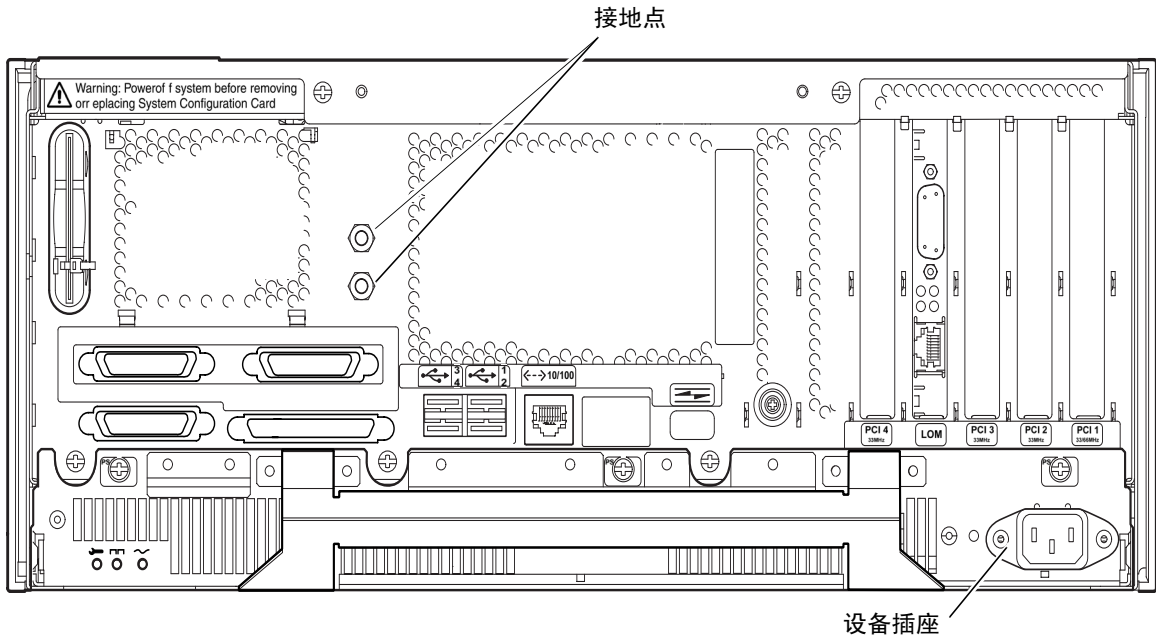


图 7-33 Netra T4 AC100 (背部)

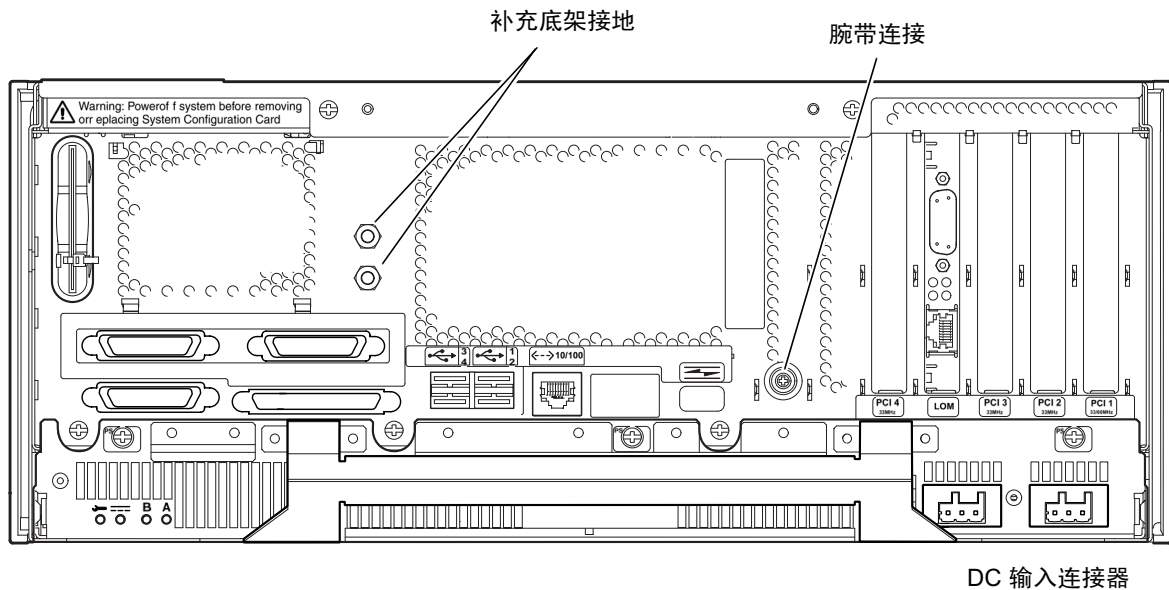


图 7-34 Netra T4 DC100 (背部)

Netra T4 AC100 电源连接



警告 – Netra T4 AC100 使用带有接地中性导体的单相电源系统。为了减少电击危险，请勿将设备接入其它任何类型的电源系统中。如果您不清楚您建筑物的供电类型，请与您的设施管理员或合格的电工联系。



警告 – 随您的 Sun 产品提供了一根接地型（三线）电源线。为了减少电击的危险，请务必将电源线插入接地电源插座上。



警告 – 电器插座必须在设备附近，而且必须方便使用。



警告 – AC 电源线末端的插头是本产品断开电源的主要方式。

Netra T4 DC100 电源连接

维修时要断开的设备定义如下：

- 两个负极电源导线上的电路断路器
- 两个 DC 输入连接器

注意 – Netra T4 DC100 系统必须安装在 *限制进入区域*。IEC、EN 和 UL 60950 将限制进入区域定义为只允许合格或经过培训的人员进入并配有钥匙锁或插卡进入系统的门锁机制进行进入控制的区域。

不要在易爆炸环境中进行操作



警告 – 不要在存在易燃气体的环境中操作设备。在此类环境中操作任何电器设备会构成一定的安全隐患。

不要触摸带电电线



警告 – 只有经过培训的人员才能卸下设备的盖子，进行内部部件或组件更换或进行任何内部调节。在某些情况下，即使断开电源危险电压仍可能存在。

锂电池



警告 – 每个系统主板都包含一个锂电池，如果更换不正确，可能会发生爆炸。在极少数情况下，如果要求更换电池，请确保更换电池的类型一样或相当并按照制造商的说明对旧电池进行安全处置。

DVD-ROM



警告 – 在安装 DVD-ROM 的情况下，如果不按本文档中说明使用控制、调节或执行操作，则可能会发生危险辐射。

激光符合性声明

使用激光技术的 Sun 产品符合 1 类激光要求。



处理您的 DVD-ROM 磁盘

处理 DVD-ROM 磁盘时，请遵循下列预防措施：

- 不要触摸磁盘的数据面（磁盘上不带标签的一面）。
- 不要在磁盘的任何部分（数据面或标签面）贴纸标签或进行书写。
- 如果磁盘粘上灰尘或手印，请用干布从磁盘中心向边缘擦拭。
- 不要将磁盘放在阳光直射或温度很高的任何地方。



警告 – 不要使用苯、涂料稀释剂、唱片清洁剂、静电防护剂或任何类型的 CD 或 DVD 清洁剂。这些化学品会损坏 DVD-ROM 磁盘的表面。另外，这些液体将会在您的 DVD-ROM 读取器镜头除尘刷上积累，降低效用。

注意 – 在某些情况下，如果您的 DVD-ROM 磁盘数据表面不干净，您的系统可能无法启动。

静电预防措施



警告 - 处理组件时，戴上防静电腕带并使用静电放电保护垫。维护或卸下系统设备组件时，在卸下上检修盖之前，请使用带 10mm 掀扣连接的防静电腕带，将防静电腕带系到底架背部或前部的掀扣上。

连接防静电腕带

- 要将防静电腕带连接到底架上，请按图 7-35 或图 7-36 中所示连接腕带。

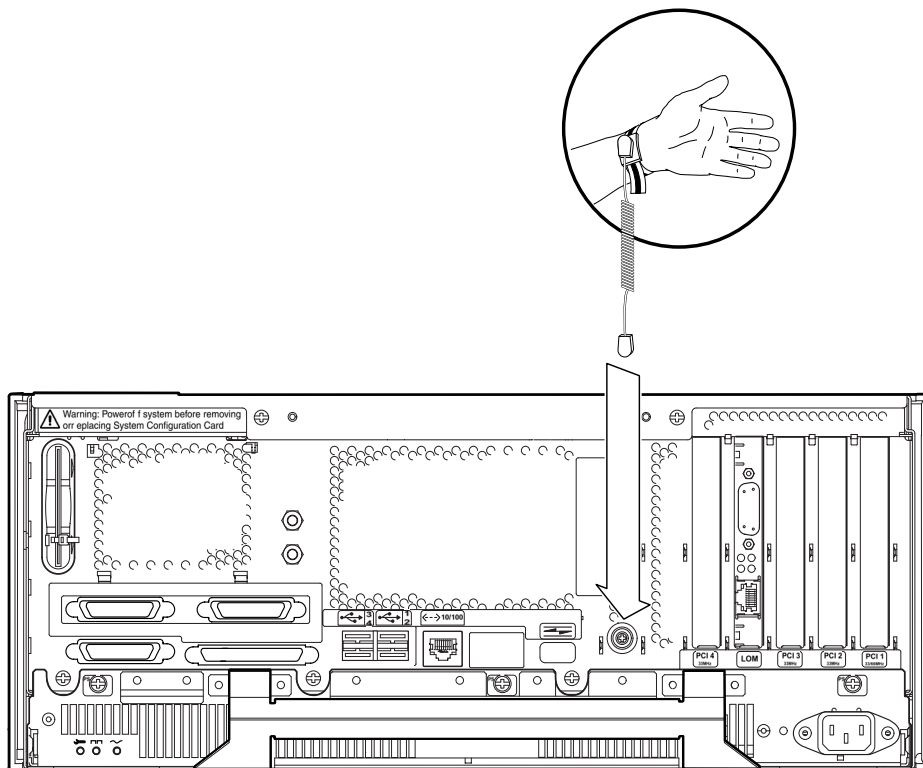


图 7-35 将防静电腕带连接到底架的背部

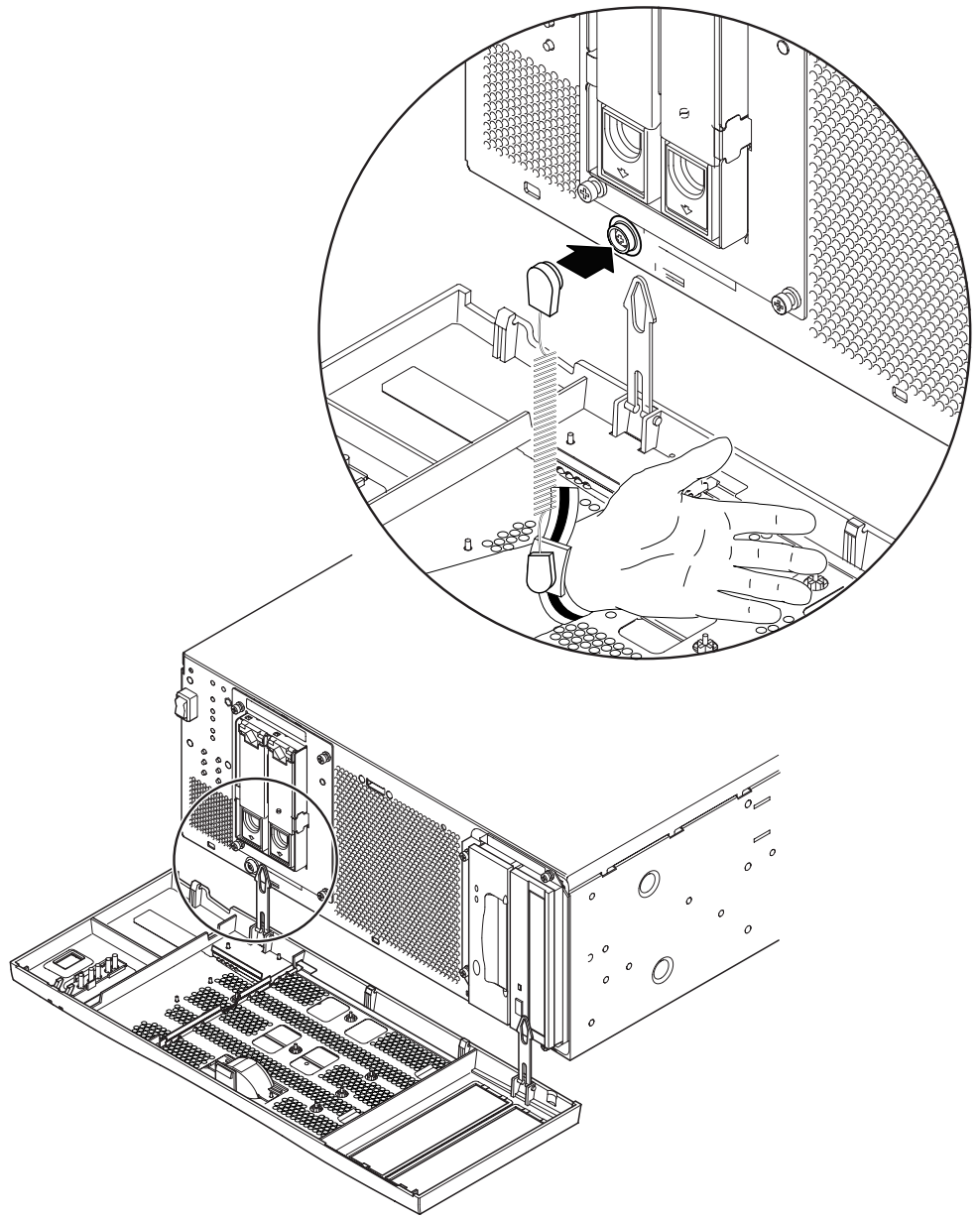


图 7-36 将防静电腕带连接到底架的前部

安全性

開始任何操作程序之前，請先閱讀本部分內容。下面文字提供了您在安裝或維修 Sun Microsystems 產品時必須遵循的安全警告事項。

符號

注意 – 提供讀者必須考慮之資訊的注意事項。



警告 – 以此「注意」圖示標示的警告事項，代表如果不遵循可能會損害系統資料或硬體的程序或事件的相關資訊。



警告 – 以此「危險」圖示標示的警告事項，代表必須遵循以降低電擊風險與人身健康危害的程序。小心遵循所有安全指示。

安全防範措施

在操作、維護與維修本設備的所有階段中，您必須遵循下列一般安全注意事項。未能遵循這些警告或其他本手冊中的特定警告，將會違背本設備在設計、製造與預期使用上的安全標準。若顧客未能遵循這些要求，Sun Microsystems 將不負任何責任。

下面列出的安全注意事項，代表了 Sun Microsystems 已知的部份危險的警告。作為產品使用者，您應該注意這些警告與所有其他安全注意事項，以確保作業環境的安全操作。

不要自行維修或調整



警告 – 除非有能夠進行急救與心肺復甦術的人員在場，請不要嘗試進行內部維修或調整。

安全需求

為了安全起見，安裝裝置時，請遵守以下安全防範措施：

- 遵循裝置上標註的所有注意、警告事項和說明。
- 確定電源的電壓及頻率與設備電氣額定值標籤上記錄的電壓及頻率相符。
- 請勿將任何物體放在設備的開口處。它們可能會觸及危險電壓點、或導致元件短路，因而產生火災、電疾並損害您的設備。
- 請由合格人員進行維修設備維修。

抬昇



警告 – 系統後部的把手僅適用於 PSU 移除。不要嘗試使用本把手抬昇系統。



警告 – 不要使用上方維修蓋的指孔來抬昇系統。



警告 – 由於系統非常重，不要獨自嘗試將它安裝到機櫃中、或將它由機櫃移除。該動作至少必須由兩個人進行。

設備修改



警告 – 由於可能導致額外危險與（或）違背電波溢散相符性，請不要在本設備上安裝替代性零件、或進行未經授權的修改。

請與當地支援組織聯繫取得維修與服務，以確定能夠維持安全功能。對於經改造的 Sun 產品的法規符合性，Sun Microsystems 概不負責。

安裝位置

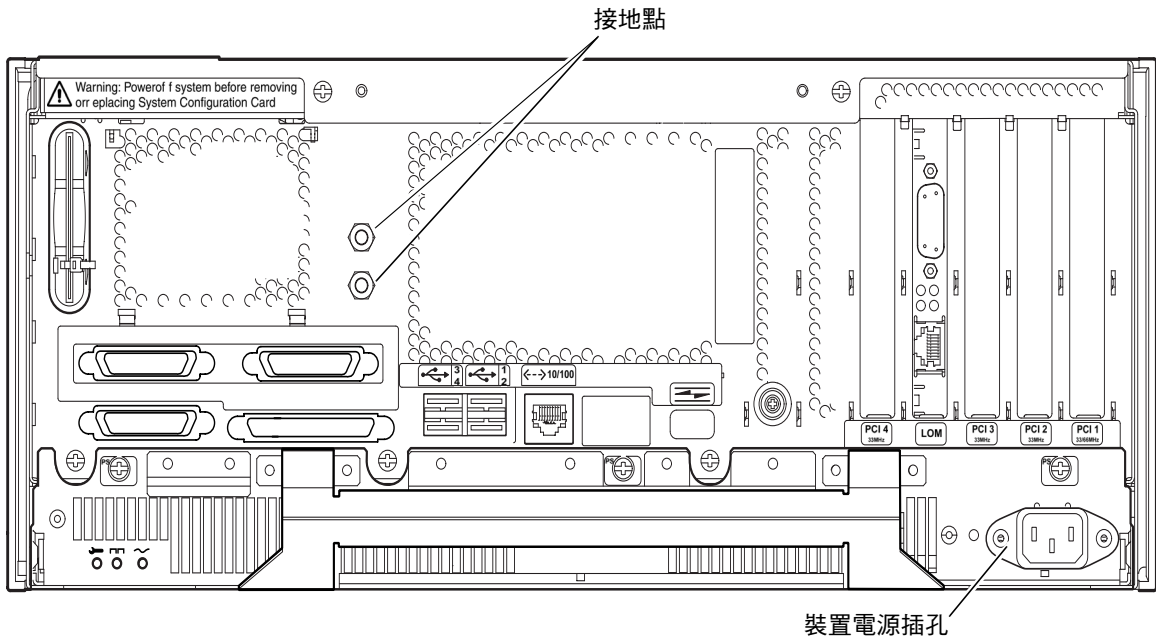


警告 – 切勿阻塞或覆蓋 Sun 產品的通風口。請勿將 Sun 產品放置在暖氣裝置附近。否則，會因溫度過高，影響 Sun 產品效能的可靠性。

依照 DIN 45 635 Part 1000 的定義，工作場所的噪音必須低於 70dB(A)。

SELV 符合性

I/O 連線的安全狀態符合 SELV 的要求。



■ 7-37 Netra T4 AC100 (後視圖)

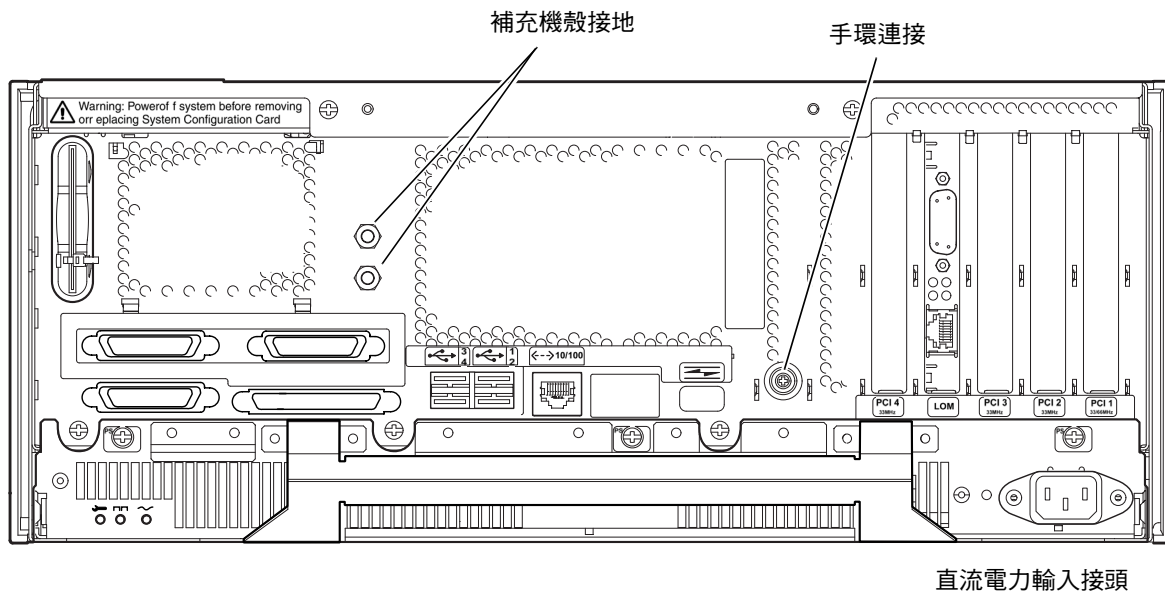


圖 7-38 Netra T4 DC100 (後視圖)

Netra T4 AC100 電源連結



警告 – Netra T4 AC100 在設計上需要使用帶有接地中性導體的單相電源系統。為降低觸電的危險，切勿將本設備接入其他類型的電源系統。如果對於所在建築物的電源系統類型並不確定，請洽詢設施管理員或合格的電氣技師。



警告 – Sun 產品附帶接地類型（三線）的電源線。要減少觸電的危險，請務必將電線接入有接地裝置的插座。



警告 – 牆壁電源插槽必須安裝在本設備附近，且必須容易取用。



警告 – 交流電源纜線末端的插頭是移除本產品電源的主要途徑。

Netra T4 DC100 電源連結

為維修目的、將裝置的電源連結移除的方式，定義如下：

- 切斷兩個負極供電導線
- 切斷兩個直流電力輸入接頭

注意 – Netra T4 DC100 系統必須安裝在限制進出位置。IEC、EN 與 UL 60950 將限制進出位置定義為：僅能由合格或受過訓練的人員進入、且由某些管制機制如：鑰匙鎖或門禁卡控制進出的區域。

不要在可能會產生爆炸的環境中操作



警告 – 不要在有可燃燒氣體與煙霧的場所使用本設備。在該等場所操作任何電氣設備一定會造成安全上的危害。

避免接觸通電電路



警告 – 只有受過訓練的人員才能夠移除設備蓋並置換內部子組件或元件、或進行任何內部調整。在某些情況下，即使電源供應器已經被移除，危險電壓依然可能存在。

鋰電池



警告 – 每個系統主機板都包含鋰電池，如果不正確加以置換，可能會有爆炸的危險。雖然可能性不大，如果電池因故需要置換，請確定置換品是相同或相等型號，並依照製造商的說明，正確的棄置用過的電池。

DVD-ROM



警告 – 未按照此處規定安裝本 DVD-ROM 光碟機、使用其他控制項、調節或進行其他程序，均可能因而暴露於危險的放射線下。

雷射符合性公告

採用雷射技術的 Sun 產品符合第 1 類雷射要求。



處理 DVD-ROM 光碟片

處理 DVD-ROM 光碟時，請遵循下列警告事項：

- 不要觸摸光碟的資料面（光碟沒有標籤的一面）。
- 不要在光碟的資料面或標籤面黏貼標籤、或在任何位置寫入。
- 如果光碟沾上灰塵與指印，請使用乾布由光碟中心擦拭到邊緣。
- 不要將光碟放在可能會於暴露直射陽光或高溫的地方。



警告 – 不要使用苯類、松香油、唱片清潔劑、消磁器或其他任何種類的 CD 或 DVD 鏡頭清潔工具。這些化學物質可能會損害 DVD-ROM 光碟表面。此外，這些液體會在 DVD-ROM 讀取頭的鏡頭堆積，影響效能。

注意 – 在某些情況下，如果 DVD-ROM 光碟資料面不乾淨，系統開機可能會失敗。

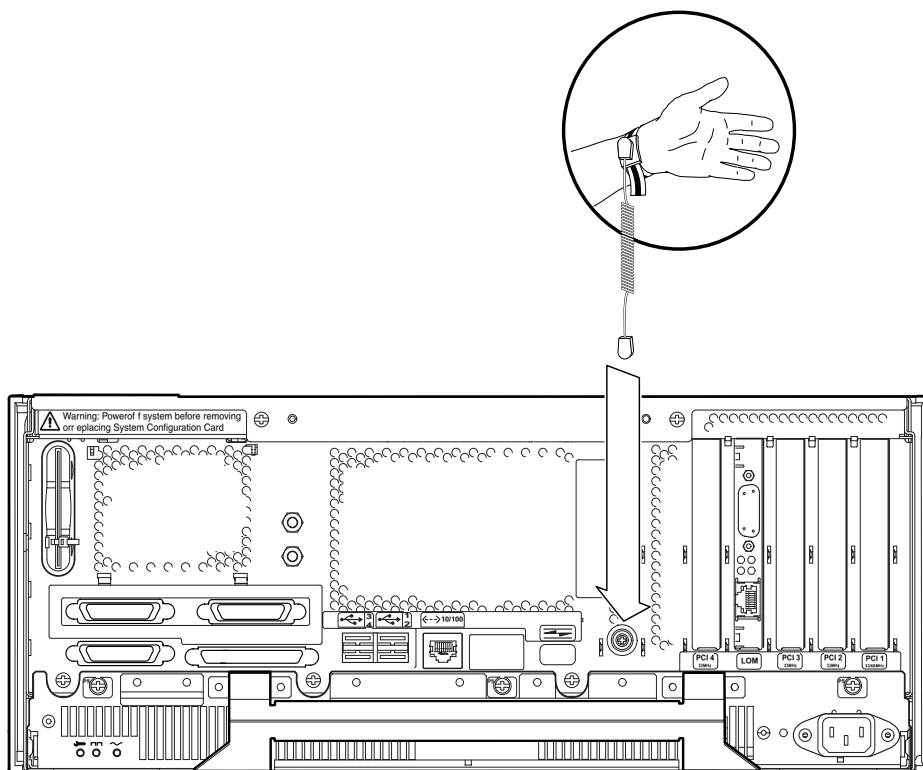
防靜電警告



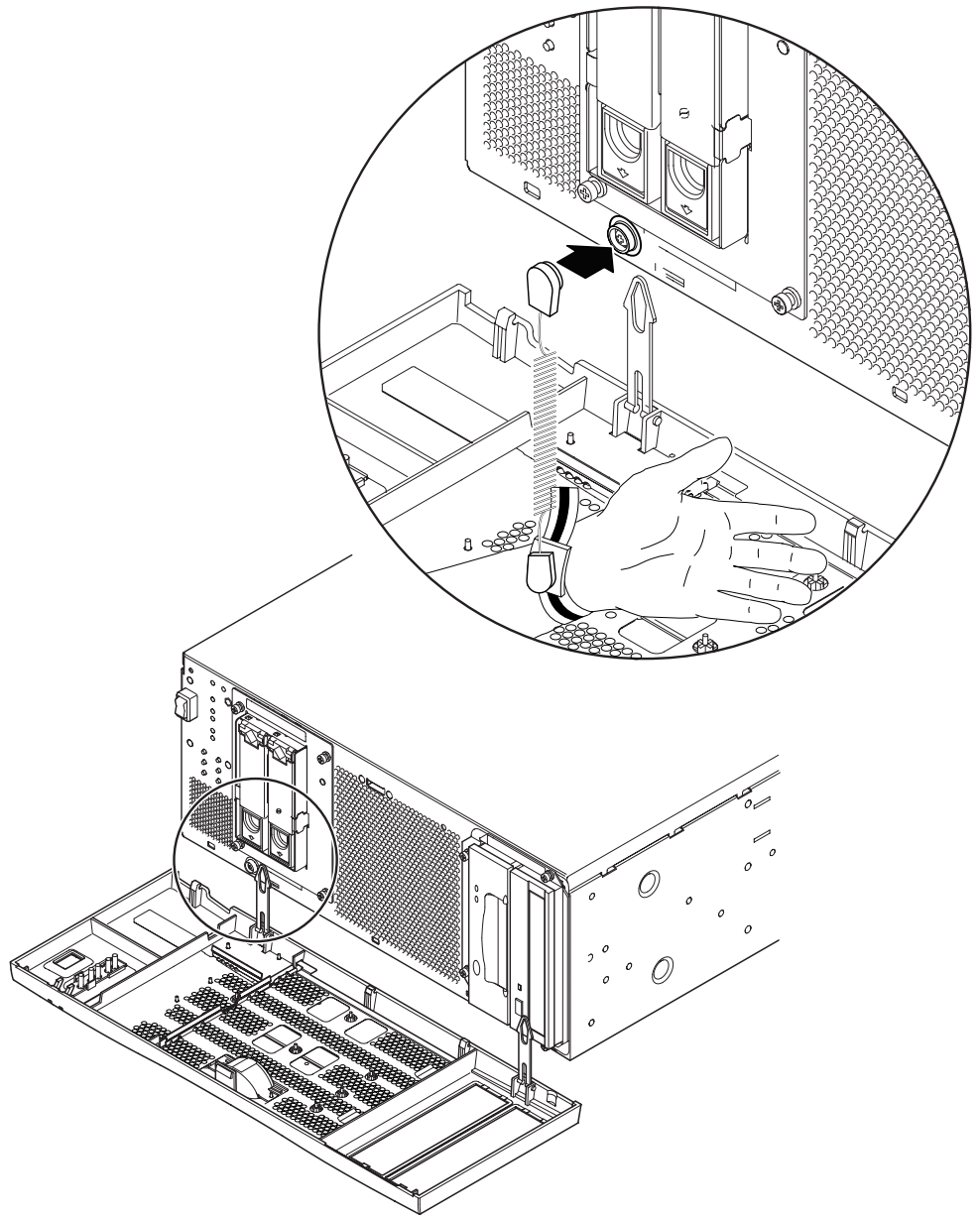
警告 – 握持元件時，請佩帶防靜電腕帶並使用防靜電襯墊。維修或移除系統單元元件時，在移除上維修蓋前，請使用帶有 10 公厘扣接孔的防磁腕帶，並將防磁腕帶扣到機殼前後的扣接凸起處。

連接防靜電手環

- 要將防靜電手環連接到機殼上，請依照圖 7-39 或圖 7-40 中的說明連接手環。



■ 7-39 連接防靜電手環到機殼後部



■ 7-40 連接防靜電手環到機殼前部

Copyright 2001 Sun Microsystems, Inc., 901 San Antonio Road, Palo Alto, CA 94303-4900 Etats-Unis. Tous droits réservés.

Ce produit ou document est distribué avec des licences qui en restreignent l'utilisation, la copie, la distribution, et la décompilation. Aucune partie de ce produit ou document ne peut être reproduite sous aucune forme, par quelque moyen que ce soit, sans l'autorisation préalable et écrite de Sun et de ses bailleurs de licence, s'il y en a. Le logiciel détenu par des tiers, et qui comprend la technologie relative aux polices de caractères, est protégé par un copyright et licencié par des fournisseurs de Sun.

Des parties de ce produit pourront être dérivées des systèmes Berkeley BSD licenciés par l'Université de Californie. UNIX est une marque déposée aux Etats-Unis et dans d'autres pays et licenciée exclusivement par X/Open Company, Ltd.

Sun, Sun Microsystems, le logo Sun, AnswerBook2, docs.sun.com, Netra, Netra ft, et Solaris sont des marques de fabrique ou des marques déposées, ou marques de service, de Sun Microsystems, Inc. aux Etats-Unis et dans d'autres pays. Toutes les marques SPARC sont utilisées sous licence et sont des marques de fabrique ou des marques déposées de SPARC International, Inc. aux Etats-Unis et dans d'autres pays. Les produits portant les marques SPARC sont basés sur une architecture développée par Sun Microsystems, Inc.

L'interface d'utilisation graphique OPEN LOOK et Sun™ a été développée par Sun Microsystems, Inc. pour ses utilisateurs et licenciés. Sun reconnaît les efforts de pionniers de Xerox pour la recherche et le développement du concept des interfaces d'utilisation visuelle ou graphique pour l'industrie de l'informatique. Sun détient une licence non exclusive de Xerox sur l'interface d'utilisation graphique Xerox, cette licence couvrant également les licenciés de Sun qui mettent en place l'interface d'utilisation graphique OPEN LOOK et qui en outre se conforment aux licences écrites de Sun.

LA DOCUMENTATION EST FOURNIE "EN L'ETAT" ET TOUTES AUTRES CONDITIONS, DECLARATIONS ET GARANTIES EXPRESSES OU TACITES SONT FORMELLEMENT EXCLUES, DANS LA MESURE AUTORISEE PAR LA LOI APPLICABLE, Y COMPRIS NOTAMMENT TOUTE GARANTIE IMPLICITE RELATIVE A LA QUALITE MARCHANDE, A L'APTITUDE A UNE UTILISATION PARTICULIERE OU A L'ABSENCE DE CONTREFAÇON.

Copyright 2001 Sun Microsystems, Inc., 901 San Antonio Road, Palo Alto, CA 94303-4900 U.S.A. Alle Rechte vorbehalten.

Dieses Produkt bzw. Dokument wird im Rahmen von Lizenzen vertrieben, die seinen Gebrauch, seine Vielfältigkeit, Verteilung und Dekompilierung einschränken. Dieses Produkt bzw. Dokument darf ohne vorherige schriftliche Genehmigung von Sun und seinen Lizenzgebern (falls zutreffend) weder ganz noch teilweise, in keiner Form und mit keinen Mitteln reproduziert werden. Software von Drittherstellern, einschließlich Schriftart-Technologie, ist urheberrechtlich geschützt und wird im Rahmen von Lizenzen verwendet, die von SUN-Vertragspartnern erteilt wurden.

Teile des Produkts sind möglicherweise von Berkeley BSD-Systemen abgeleitet, für die von der University of California eine Lizenz erteilt wurde. UNIX ist in den USA und in anderen Ländern eine eingetragene Marke, für die X/Open Company, Ltd. die ausschließliche Lizenz erteilt.

Sun, Sun Microsystems, das Sun-Logo, AnswerBook2, docs.sun.com, Netra, Netra ft und Solaris sind Marken, eingetragene Marken bzw. Service-Marken von Sun Microsystems, Inc. in den USA und anderen Ländern. Alle SPARC-Marken werden unter Lizenz verwendet und sind Marken bzw. eingetragene Marken von SPARC International, Inc. in den USA und anderen Ländern. Produkte, die SPARC-Marken tragen, basieren auf einer von Sun Microsystems, Inc. entwickelten Architektur.

OPENLOOK und Sun™ Graphical User Interface (Grafische Benutzeroberfläche) wurden von Sun Microsystems, Inc. für seine Benutzer und Lizenznehmer entwickelt. Sun erkennt die Pionierleistungen von Xerox bei der Erforschung und Entwicklung des Konzepts der visuellen oder grafischen Benutzeroberflächen für die Computerindustrie an. Sun ist Inhaber einer nicht ausschließlichen Lizenz von Xerox für die grafische Oberfläche von Xerox. Diese Lizenz gilt auch für Lizenznehmer von Sun, die OPENLOOK GUIs implementieren und die schriftlichen Lizenzvereinbarungen von Sun einhalten.

SUN ÜBERNIMMT KEINE GEWÄHR FÜR DIE RICHTIGKEIT UND VOLLSTÄNDIGKEIT DES INHALTS DIESER DOKUMENTATION. EINE HAFTUNG FÜR EXPLIZITE ODER IMPLIZIERTE BEDINGUNGEN, DARSTELLUNGEN UND GARANTIEN, EINSCHLIESSLICH MÖGLICHER MARKTWERTGARANTIEN, DER ANGEMESSENHEIT FÜR EINEN BESTIMMTEN ZWECK ODER DER NICHT-VERLETZBARKEIT, WIRD HIERMIT IN DEM GESETZLICH ZULÄSSIGEN RAHMEN ABGELEHNT.



Copyright 2001 Sun Microsystems, Inc., 901 San Antonio Road, Palo Alto, CA 94303-4900 U.S.A. Tutti i diritti riservati.

Il presente prodotto o documento viene fornito con licenze che ne limitano l'uso, la copia, la distribuzione e la decompilazione. Nessuna parte del presente prodotto o documento potrà essere riprodotta in qualsiasi forma e con qualsiasi mezzo senza la previa autorizzazione scritta di Sun e dei suoi eventuali licenziatari. Il software di terze parti, inclusa la tecnologia dei caratteri, è tutelato dalle norme del copyright concesso in licenza dai fornitori Sun.

Alcune parti del prodotto potrebbero derivare dai sistemi Berkeley BSD, concessi in licenza dalla University of California. UNIX è un marchio registrato negli Stati Uniti e in altri paesi, concesso in licenza esclusivamente tramite X/Open, Ltd.

Sun, Sun Microsystems, il logo Sun, AnswerBook2, docs.sun.com, Netra, Netra ft e Solaris sono marchi, marchi registrati o marchi di servizio di Sun Microsystems, Inc. negli Stati Uniti e in altri paesi. Tutti i marchi SPARC sono utilizzati sotto licenza e sono marchi o marchi registrati di SPARC International, Inc. negli Stati Uniti e in altri paesi. I prodotti che recano i marchi SPARC si basano su un'architettura sviluppata da Sun Microsystems, Inc.

L'interfaccia grafica utente OPEN LOOK e Sun™ è stata sviluppata da Sun Microsystems, Inc. per i propri utenti e licenziatari. Sun riconosce gli sforzi pionieristici compiuti da Xerox nell'ambito della ricerca e dello sviluppo del concetto di interfacce visive o interfacce grafiche utenti per l'industria informatica. Sun è titolare di una licenza non esclusiva concessa da Xerox relativa all'interfaccia grafica utente Xerox; tale licenza è altresì estesa ai licenziatari di Sun che attivano l'interfaccia grafica utente OPEN LOOK e che comunque adempiono ai contratti di licenza scritti stipulati con Sun.

LA DOCUMENTAZIONE VIENE FORNITA "COSÌ COM'È" E NON SONO PREVISTE ALTRE CONDIZIONI ESPLICITE O IMPLICITE, DICHIARAZIONI E GARANZIE, COMPRESSE LE GARANZIE IMPLICITE DI COMMERCIALIZZABILITÀ E DI IDONEITÀ PER UNO SCOPO SPECIFICO O DI NON VIOLAZIONE DI DIRITTI ALTRUI, SALVO NEL CASO IN CUI TALI ESCLUSIONI DI GARANZIA NON SIANO NULLE AI SENSI DELLA LEGGE IN VIGORE.

Copyright 2001 Sun Microsystems, Inc., 901 San Antonio Road, Palo Alto, CA 94303-4900 EE.UU. Todos los derechos reservados.

Este producto o documento se distribuye bajo licencia, quedando restringido su uso, copia, distribución y descompilación. Queda prohibida la reproducción total o parcial del presente documento o producto, en cualquier forma y por cualquier medio, sin la autorización previa de Sun o sus distribuidores autorizados, si los hubiese. El software de otros fabricantes, incluida la tecnología de tipos de letra, está protegido por copyright y los distribuidores de Sun otorgan la licencia correspondiente.

Parte de este producto puede derivarse de sistemas Berkeley BSD, cuya licencia otorga la Universidad de California. UNIX es una marca registrada en los EE.UU. y otros países, con licencia exclusiva de X/Open Company, Ltd.

Sun, Sun Microsystems, el logotipo de Sun, AnswerBook2, docs.sun.com, Netra, Netra ft y Solaris son marcas comerciales, marcas comerciales registradas o marcas de servicio de Sun Microsystems, Inc. en los EE.UU. y otros países. Todas las marcas comerciales SPARC se utilizan bajo licencia y son marcas comerciales o marcas comerciales registradas de SPARC International, Inc. en los EE.UU. y otros países. Los productos con marcas comerciales SPARC se basan en una arquitectura desarrollada por Sun Microsystems, Inc.

La interfaz gráfica de usuario OPEN LOOK y Sun™ ha sido desarrollada por Sun Microsystems, Inc. para sus usuarios y titulares de licencia. Sun reconoce el trabajo de Xerox como pionera en la investigación y el desarrollo del concepto de interfaces de usuario visuales o gráficas para la industria informática. Sun dispone de una licencia no exclusiva de Xerox para la utilización de Xerox Graphical User Interface; esta licencia cubre también a los titulares de licencias de Sun que utilizan las interfaces gráficas de usuario OPEN LOOK y cumplen con los contratos de licencia por escrito de Sun.

LA DOCUMENTACIÓN SE PROPORCIONA "TAL CUAL" SIN NINGUNA GARANTÍA, REPRESENTACIÓN NI CONDICIÓN EXPRESA O IMPLÍCITA, INCLUIDA CUALQUIER GARANTÍA DE COMERCIALIZACIÓN, IDONEIDAD PARA FINES ESPECÍFICOS O NO VIOLACIÓN DE DERECHOS, EXCEPTO EN LOS CASOS EN QUE DICHA RENUNCIA SEA JURÍDICAMENTE NULA Y SIN VALOR.



Copyright 2001 Sun Microsystems, Inc., 901 San Antonio Road, Palo Alto, CA 94303-4900 USA. Med ensamrätt.

Den här produkten distribueras med licens som begränsar hur du får använda, kopiera, distribuera och dekompilera produkten. Ingen del av produkten eller dokumentet får reproduceras i någon form eller på något sätt utan föregående skriftligt godkännande från Sun och dess eventuella licensgivare. Programvara från tredje part, bland annat teckensnittsteknik, är upphovsrättsskyddad och licensierad av Suns leverantörer.

Delar av produkten kan härröra från Berkleys BSD-system, licensierade från University of California. UNIX är ett registrerat varumärke i USA och i andra länder och licensieras exklusivt genom X/Open Company, Ltd.

Sun, Sun Microsystems, the Sun logo, AnswerBook2, docs.sun.com, Netra, Netra ft och Solaris är varumärken, registrerade varumärken eller tjänstemärken som tillhör Sun Microsystems, Inc. i USA och andra länder. Alla SPARC-varumärken lyder under licens och är varumärken eller registrerade varumärken som tillhör SPARC International, Inc. i USA och andra länder. Produkter som bär SPARC-varumärken är baserade på en arkitektur som utvecklats av Sun Microsystems, Inc.

Det grafiska användargränssnittet OPEN LOOK och Sun™ har utvecklats av Sun Microsystems, Inc för dess användare och licenstagare. Sun erkänner Xerox banbrytande ansträngningar inom forskning och utveckling av begreppet visuella eller grafiska användargränssnitt för datorbranschen. Sun innehar en icke-exklusiv licens från Xerox till Xerox Graphical User Interface, en licens som också täcker Suns licenstagare som implementerar grafiska gränssnitt av typen OPEN LOOK och i övrigt uppfyller Suns skriftliga licensavtal.

DOKUMENTATIONEN LEVERERAS I BEFINTLIGT SKICK UTAN NÅGRA SOM HELST GARANTIER. SUN MICROSYSTEMS INC. GARANTERAR TILL EXEMPEL INTE ATT DE BESKRIVNA PRODUKTERNA ÄR I SÄLJBART SKICK, ATT DE ÄR LÄMPLIGA FÖR ETT VISST ÄNDAMÅL, ELLER ATT DE INTE INKRÄKTAR PÅ ANDRA FÖRETAGS RÄTTIGHETER I DEN MÅN SÅDANA FRÅNSÄGANDEN AV GARANTIER EJ ÄR OLAGLIGA.



本製品は、株式会社モリサワからライセンス供与されたリュウミン L-KL (Ryumin-Light) および中ゴシック BBB (GothicBBB-Medium) のフォント・データを含んでいます。

本製品に含まれる HG 明朝 L と HG ゴシック B は、株式会社リコーがリョービマジクス株式会社からライセンス供与されたタイプフェイスマスタをもとに作成されたものです。平成明朝体 W3 は、株式会社リコーが財団法人 日本規格協会 文字フォント開発・普及センターからライセンス供与されたタイプフェイスマスタをもとに作成されたものです。また、HG 明朝 L と HG ゴシック B の補助漢字部分は、平成明朝体 W3 の補助漢字を使用しています。なお、フォントとして無断複製することは禁止されています。

Sun、Sun Microsystems、AnswerBook2、docs.sun.com、Netra、Netra ft は、米国およびその他の国における米国 Sun Microsystems, Inc. (以下、米国 Sun Microsystems 社とします) の商標もしくは登録商標です。

サン のロゴマークおよび Solaris は、米国 Sun Microsystems 社の登録商標です。

すべての SPARC 商標は、米国 SPARC International, Inc. のライセンスを受けて使用している同社の米国およびその他の国における商標または登録商標です。SPARC 商標が付いた製品は、米国 Sun Microsystems 社が開発したアーキテクチャーに基づくものです。

Java およびその他の Java を含む商標は、米国 Sun Microsystems 社の商標であり、同社の Java ブランドの技術を使用した製品を指します。

OPENLOOK、OpenBoot、JLE は、サン・マイクロシステムズ株式会社の登録商標です。

ATOK は、株式会社ジャストシステムの登録商標です。ATOK8 は、株式会社ジャストシステムの著作物であり、ATOK8 にかかる著作権その他の権利は、すべて株式会社ジャストシステムに帰属します。ATOK Server/ATOK12 は、株式会社ジャストシステムの著作物であり、ATOK Server/ATOK12 にかかる著作権その他の権利は、株式会社ジャストシステムおよび各権利者に帰属します。

Netscape、Navigator は、米国 Netscape Communications Corporation の商標です。Netscape Communicator については、以下をご覧ください。Copyright 1995 Netscape Communications Corporation. All rights reserved.

本書で参照されている製品やサービスに関しては、該当する会社または組織に直接お問い合わせください。

OPEN LOOK および Sun Graphical User Interface は、米国 Sun Microsystems 社が自社のユーザーおよびライセンス実施権者向けに開発しました。米国 Sun Microsystems 社は、コンピュータ産業用のビジュアルまたはグラフィカル・ユーザーインターフェースの概念の研究開発における米国 Xerox 社の先駆者としての成果を認めるものです。米国 Sun Microsystems 社は米国 Xerox 社から Xerox Graphical User Interface の非独占的ライセンスを取得しており、このライセンスは米国 Sun Microsystems 社のライセンス実施権者にも適用されます。

本書には、技術的な誤りまたは誤植のある可能性があります。また、本書に記載された情報には、定期的に変更が行われ、かかる変更は本書の最新版に反映されます。さらに、米国サンまたは日本サンは、本書に記載された製品またはプログラムを、予告なく改良または変更することがあります。

本製品が、外国為替および外国貿易管理法 (外為法) に定められる戦略物資等 (貨物または役務) に該当する場合、本製品を輸出または日本国外へ持ち出す際には、サン・マイクロシステムズ株式会社の事前の書面による承諾を得ることのほか、外為法および関連法規に基づく輸出手続き、また場合によっては、米国商務省または米国所轄官庁の許可を得ることが必要です。

Copyright 2001 Sun Microsystems, Inc., 901 San Antonio Road, Palo Alto, CA 94303-4900 U.S.A. All rights reserved.

이 제품 또는 문서는 사용, 복사, 배포 및 역컴파일을 제한하는 라이선스에 따라 배포됩니다. 이 제품이나 설명서의 어느 부분도 Sun 과 Sun 소속 라이선스 부여자의 사전 서면 승인 없이 어떠한 형태나 수단으로도 재생산될 수 없습니다. 글꼴 기술을 포함한 타사의 소프트웨어는 저작권의 보호를 받으며 Sun 공급자에 의해 사용이 허가되었습니다.

제품의 일부는 University of California로부터 사용 허가를 받은 Berkeley BSD 시스템에서 유래합니다. UNIX는 미국 및 기타 국가에서 X/Open Company, Ltd.를 통해 독점 사용권을 받은 등록 상표입니다.

Sun, Sun Microsystems, Sun 로고, AnswerBook2, docs.sun.com, Netra, Netra ft 및 Solaris는 미국 및 기타 국가에서 상표 또는 등록 상표, 상표 또는 등록 상표입니다. 모든 SPARC 상표는 라이선스를 받아 사용되었으며 미국 및 기타 국가에서 SPARC International Inc.의 상표 또는 등록 상표입니다. SPARC 상표가 표시된 제품은 Sun Microsystems, Inc.가 개발한 구조를 기반으로 합니다.

OPEN LOOK과 Sun™ 그래픽 사용자 인터페이스는 Sun Microsystems, Inc.가 사용자 및 해당 사용권자를 위해 개발한 제품입니다. Sun은 컴퓨터 산업에서 시각적 또는 그래픽 사용자 인터페이스의 개념을 연구하고 개발하는데 있어 Xerox의 선구자적 업적을 인정합니다. Sun은 Xerox 그래픽 사용자 인터페이스에 대한 Xerox의 비독점적 라이선스를 보유하고 있습니다. OPEN LOOK GUI를 구현하고 Sun의 서면 라이선스 계약서에 동의한 사용권자는 이 라이선스의 적용을 받습니다.

설명서는 "있는 그대로" 제공되며 상품성, 특정 목적에의 적합성 또는 무해함의 묵시적 보증을 포함한 모든 명시적 또는 묵시적 조건, 표현 및 보증에 대해, 이러한 책임 제한이 법적으로 유효하지 않은 경우를 제외하고, 책임을 지지 않습니다.



版权所有 2001 Sun Microsystems, Inc., 901 San Antonio Road, Palo Alto, CA 94303-4900 U.S.A. 保留所有权利。

本产品或相关资料手册受版权法保护，并在限制对其使用、复制、发行及反编译的许可证下发行。未经本公司及其授权人事先书面同意，本产品或相关资料手册的任何部分不得以任何方式、任何形式进行复制。第三方软件，包括字体技术，Sun 公司供应商版权所有并提供使用许可。

本产品的某些部分可能是基于经加州大学授权的 Berkeley BSD 系统开发的。UNIX 是在美国和其它国家的注册商标，已获得 X/Open Company, Ltd. 专属许可。

Sun、Sun Microsystems、Sun 标志、AnswerBook2、docs.sun.com、Netra、Netra ft 以及 Solaris 是 Sun Microsystems, Inc. 在美国和其它国家的商标、注册商标或服务标志。所有 SPARC 商标均根据使用许可使用，是 SPARC International, Inc. 在美国和其它国家的商标或注册商标。凡带有 SPARC 商标的产品都是以 Sun Microsystems, Inc. 开发的一种系统结构为基础的。

OPEN LOOK 和 Sun™ Graphical User Interface 是由 Sun Microsystems, Inc. 为其用户和许可证持有者开发的。Sun 公司感谢 Xerox 公司在研究和开发可视化或图形化用户界面概念方面，为计算机工业所作的先驱性努力。Sun 公司持有经 Xerox 公司授权的 Xerox Graphical User Interface 非专属的许可证，该许可证也涵盖使用 OPEN LOOK GUI，并遵守 Sun 公司书面许可协议的 Sun 公司许可证持有者。

文档以“原样”提供，除非所拒绝的在法律上无效，否则不进行任何明文或隐含的担保，不做担保的范围包括但不限于以下方面：销路好坏、特殊用途的适用性或侵权与否等。

著作權所有 2001 年 Sun Microsystems, Inc., 901 San Antonio Road, Palo Alto, CA 94303-4900 U.S.A. 所有權利均予保留。

本產品與文件在限制其使用、複製、傳布與解譯的授權下發行。未經 Sun 及其授權人（如果適用）事前核准，本產品與文件之所有部份均不得重製。協力廠商軟體，包含字型技術，其著作權歸 Sun 供應商所有，經授權後使用。

本產品中的某些部分可能衍生自加州大學授權的 Berkeley BSD 系統的開發成果。UNIX 為美國和其他國家的註冊商標，已獲得 X/Open Company, Ltd 專屬授權。

Sun、Sun Microsystems、Sun 標誌、AnswerBook2、docs.sun.com、Netra、Netra ft 與 Solaris 是 Sun Microsystems, Inc. 在美國與其他國家的商標、註冊商標或服務標章。所有 SPARC 商標是 SPARC International, Inc. 在美國及其他國家的商標或註冊商標，經授權後使用。凡帶有 SPARC 商標的產品都是以 Sun Microsystems, Inc. 所開發的架構為基礎。

OPEN LOOK 和 Sun™ Graphical User Interface（Sun 圖形使用者介面）都是由 Sun Microsystems, Inc. 為其使用者和被授權人開發的技術。Sun 公司感謝 Xerox 公司在研究和開發視覺化或圖形化使用者介面概念方面，為電腦工業所作的先驅性努力。Sun 公司持有經 Xerox 公司授權的 Xerox 圖形使用者介面非專屬授權，該授權也涵蓋使用 OPEN LOOK GUI、並遵守 Sun 公司書面許可協定的 Sun 公司授權者。

本文件以其「現狀」提供，且在所為免責聲明合法之限度以內，明示不為任何明示或暗示的條件、表示或保固，包括但不限於隱含的適銷性保固、特定用途的適用性與非侵權性。

