



# Sun Enterprise™ 450 Server

---

480-MHz CPU Module Guide

480-MHz CPU モジュールガイド

480MHz CPU 모듈 설명서

480-MHz CPU 模块指南

480-MHz CPU 模組指南

Sun Microsystems, Inc.  
901 San Antonio Road  
Palo Alto, CA 94303  
U.S.A. 650-960-1300

Part No. 806-4995-10  
August 2000, [Revision A](#)

[Send comments about this document to: docfeedback@sun.com](mailto:docfeedback@sun.com)

Copyright 2000 Sun Microsystems, Inc., 901 San Antonio Road • Palo Alto, CA 94303-4900 USA. All rights reserved.

This product or document is protected by copyright and distributed under licenses restricting its use, copying, distribution, and decompilation. No part of this product or document may be reproduced in any form by any means without prior written authorization of Sun and its licensors, if any. Third-party software, including font technology, is copyrighted and licensed from Sun suppliers.

Parts of the product may be derived from Berkeley BSD systems, licensed from the University of California. UNIX is a registered trademark in the U.S. and other countries, exclusively licensed through X/Open Company, Ltd. For Netscape Communicator™, the following notice applies: Copyright 1995 Netscape Communications Corporation. All rights reserved.

Sun, Sun Microsystems, the Sun logo, AnswerBook2, docs.sun.com, Sun Enterprise, SunCD, and Solaris are trademarks, registered trademarks, or service marks of Sun Microsystems, Inc. in the U.S. and other countries. All SPARC trademarks are used under license and are trademarks or registered trademarks of SPARC International, Inc. in the U.S. and other countries. Products bearing SPARC trademarks are based upon an architecture developed by Sun Microsystems, Inc.

The OPEN LOOK and Sun™ Graphical User Interface was developed by Sun Microsystems, Inc. for its users and licensees. Sun acknowledges the pioneering efforts of Xerox in researching and developing the concept of visual or graphical user interfaces for the computer industry. Sun holds a non-exclusive license from Xerox to the Xerox Graphical User Interface, which license also covers Sun's licensees who implement OPEN LOOK GUIs and otherwise comply with Sun's written license agreements.

**RESTRICTED RIGHTS:** Use, duplication, or disclosure by the U.S. Government is subject to restrictions of FAR 52.227-14(g)(2)(6/87) and FAR 52.227-19(6/87), or DFAR 252.227-7015(b)(6/95) and DFAR 227.7202-3(a).

DOCUMENTATION IS PROVIDED "AS IS" AND ALL EXPRESS OR IMPLIED CONDITIONS, REPRESENTATIONS AND WARRANTIES, INCLUDING ANY IMPLIED WARRANTY OF MERCHANTABILITY, FITNESS FOR A PARTICULAR PURPOSE OR NON-INFRINGEMENT, ARE DISCLAIMED, EXCEPT TO THE EXTENT THAT SUCH DISCLAIMERS ARE HELD TO BE LEGALLY INVALID.



# Regulatory Compliance Statements

Your Sun product is marked to indicate its compliance class:

- Federal Communications Commission (FCC) — USA
- Industry Canada Equipment Standard for Digital Equipment (ICES-003) — Canada
- Voluntary Control Council for Interference (VCCI) — Japan
- Bureau of Standards Metrology and Inspection (BSMI) — Taiwan

Please read the appropriate section that corresponds to the marking on your Sun product before attempting to install the product.

## FCC Class A Notice

This device complies with Part 15 of the FCC Rules. Operation is subject to the following two conditions:

1. This device may not cause harmful interference.
2. This device must accept any interference received, including interference that may cause undesired operation.

**Note:** This equipment has been tested and found to comply with the limits for a Class A digital device, pursuant to Part 15 of the FCC Rules. These limits are designed to provide reasonable protection against harmful interference when the equipment is operated in a commercial environment. This equipment generates, uses, and can radiate radio frequency energy, and if it is not installed and used in accordance with the instruction manual, it may cause harmful interference to radio communications. Operation of this equipment in a residential area is likely to cause harmful interference, in which case the user will be required to correct the interference at his own expense.

**Shielded Cables:** Connections between the workstation and peripherals must be made using shielded cables to comply with FCC radio frequency emission limits. Networking connections can be made using unshielded twisted-pair (UTP) cables.

**Modifications:** Any modifications made to this device that are not approved by Sun Microsystems, Inc. may void the authority granted to the user by the FCC to operate this equipment.

## FCC Class B Notice

This device complies with Part 15 of the FCC Rules. Operation is subject to the following two conditions:

1. This device may not cause harmful interference.
2. This device must accept any interference received, including interference that may cause undesired operation.

**Note:** This equipment has been tested and found to comply with the limits for a Class B digital device, pursuant to Part 15 of the FCC Rules. These limits are designed to provide reasonable protection against harmful interference in a residential installation. This equipment generates, uses and can radiate radio frequency energy and, if not installed and used in accordance with the instructions, may cause harmful interference to radio communications. However, there is no guarantee that interference will not occur in a particular installation. If this equipment does cause harmful interference to radio or television reception, which can be determined by turning the equipment off and on, the user is encouraged to try to correct the interference by one or more of the following measures:

- Reorient or relocate the receiving antenna.
- Increase the separation between the equipment and receiver.
- Connect the equipment into an outlet on a circuit different from that to which the receiver is connected.
- Consult the dealer or an experienced radio/television technician for help.

**Shielded Cables:** Connections between the workstation and peripherals must be made using shielded cables in order to maintain compliance with FCC radio frequency emission limits. Networking connections can be made using unshielded twisted pair (UTP) cables.

**Modifications:** Any modifications made to this device that are not approved by Sun Microsystems, Inc. may void the authority granted to the user by the FCC to operate this equipment.

## ICES-003 Class A Notice - Avis NMB-003, Classe A

This Class A digital apparatus complies with Canadian ICES-003.

Cet appareil numérique de la classe A est conforme à la norme NMB-003 du Canada.

## ICES-003 Class B Notice - Avis NMB-003, Classe B

This Class B digital apparatus complies with Canadian ICES-003.

Cet appareil numérique de la classe B est conforme à la norme NMB-003 du Canada.


### VCCI 基準について

#### クラス A VCCI 基準について

クラス A VCCI の表示があるワークステーションおよびオプション製品は、クラス A 情報技術装置です。これらの製品には、下記の項目が該当します。

この装置は、情報処理装置等電波障害自主規制協議会 (VCCI) の基準に基づくクラス A 情報技術装置です。この装置を家庭環境で使用すると電波妨害を引き起こすことがあります。この場合には使用者が適切な対策を講ずるよう要求されることがあります。

#### クラス B VCCI 基準について

クラス B VCCI の表示  があるワークステーションおよびオプション製品は、クラス B 情報技術装置です。これらの製品には、下記の項目が該当します。

この装置は、情報処理装置等電波障害自主規制協議会 (VCCI) の基準に基づくクラス B 情報技術装置です。この装置は、家庭環境で使用することを目的としていますが、この装置がラジオやテレビジョン受信機に近接して使用されると、受信障害を引き起こすことがあります。取扱説明書に従って正しい取り扱いをしてください。

## BSMI Class A Notice

The following statement is applicable to products shipped to Taiwan and marked as Class A on the product compliance label.

警告使用者：  
這是甲類的資訊產品，在居住的環境中使用時，可能會造成射頻干擾，在這種情況下，使用者會被要求採取某些適當的對策。



# Contents

---

<b>Sun Enterprise 450 Server 480-MHz CPU Module Guide</b>	<b>en-1</b>
Sun Enterprise 450 サーバー 480-MHz CPU モジュールガイド	<b>ja-1</b>
<b>Sun Enterprise 450 Server 480MHz CPU 모듈 설명서</b>	<b>ko-1</b>
<b>Sun Enterprise 450 服务器 480-MHz CPU 模块指南</b>	<b>zh-1</b>
<b>Sun Enterprise 450 伺服器 480-MHz CPU 模組指南</b>	<b>zh_TW-1</b>





# Sun Enterprise 450 Server 480-MHz CPU Module Guide

---

Use this guide with the *Ultra Enterprise 450 Server Owner's Guide* to configure and install your new UltraSPARC™ II 480-MHz CPU module. The information in this guide is an *addition* to the *Ultra Enterprise 450 Server Owner's Guide* supplied with your Sun Enterprise™ 450 server.

This guide contains the following topics:

- “Verifying Hardware, Firmware and Software Support” on page 1
- “Identifying UltraSPARC II CPU Modules” on page 4
- “Configuring the CPU Modules” on page 5
- “Setting the Main Logic Board Jumpers” on page 6
- “Removing or Installing a CPU Module” on page 7
- “Removing and Replacing the CPU Air Guide” on page 8

---

## Verifying Hardware, Firmware and Software Support

If you are installing an UltraSPARC II 480-MHz CPU module into your server, use this guide for information in addition to the *Ultra Enterprise 450 Server Owner's Guide*.

If your system already has 480-MHz modules installed, and you are adding modules to the system, go to the section “Removing or Installing a CPU Module” on page 7.

If you purchased an upgrade to replace your UltraSPARC II 250-, 300- or 400-MHz CPU module(s) with UltraSPARC II 480-MHz CPU module(s), you must verify that the main logic board on your current server supports the faster module(s), and that the correct revision of the Sun Enterprise 450 OpenBoot™ firmware image is installed.

If you are upgrading the CPU module speed and installing CPUs into an older chassis, you must verify that your server supports the 480-MHz CPU modules, and that the Sun Enterprise 450 OpenBoot firmware revision is correct.

## How to Verify Support for 480-MHz CPU Modules

To verify that your server supports the 480-MHz CPU modules, you can use a UNIX® command, or you can find out at the `ok` prompt.

From a Console or from a Command window:

- **Type the following command at the UNIX prompt:**

```
% /usr/sbin/prtconf -pv | grep "501-5673"
```

If the number returned is 501-5673, go to the section “Identifying UltraSPARC II CPU Modules” on page 4 of this guide.

If no number is returned, the system board is not part number 501-5673. You cannot install the new UltraSPARC II 480-MHz CPU module into the current main logic board. Contact your Sun™ sales representative about ordering a board upgrade. Follow the board and CPU module installation instructions in the *Sun Enterprise 450 Server Board Upgrade Guide*.

If the `ok` prompt is displayed:

1. **Type the following command:**

```
ok cd /
```

**2. Type the following command for the list of data about the system:**

```
ok .prp
```

Examine the output listed for the `model` property. If the system board is not part number 501-5673, or if there is no part number listing, you cannot install the new UltraSPARC II 480-MHz CPU module. Contact your Sun sales representative about ordering a board upgrade. Follow the board and CPU module installation instructions in the *Sun Enterprise 450 Server Board Upgrade Guide*.

If the system board number is 501-5673, go to the next section, “How to Identify the OpenBoot Firmware Image Revision.”

## How to Identify the OpenBoot Firmware Image Revision

To verify that your server supports the 480-MHz CPU modules, you can use a UNIX command, or you can find out from the `ok` prompt.

From a UNIX Console or from a Command window:

- **Type the following command at the UNIX prompt:**

```
% /usr/sbin/prtconf -v | grep OBP
```

From the `ok` prompt:

- **Type the following command at the `ok` prompt:**

```
ok .version
```

If the version returned is 3.18 or a higher compatible version, your firmware will support the faster modules. For more information, see the section “How to Verify Support for 480-MHz CPU Modules” on page 2. If the version returned is lower than 3.18, you must flash update the OpenBoot™ firmware.

Contact the SunSolve™ Online web site at the URL <http://sunsolve.Sun.COM> for information about performing a flash update to your system’s firmware.

To download a flash update, log into the SunSolve Online web page. Click “Patches.” On the next page, click “Find Patch,” search for patch number 106503, and follow the onscreen instructions.

## How to Identify System Software Requirements

The Sun Enterprise 450 server requires Solaris 2.5.1 Hardware: 11/97, Solaris 2.6 Hardware: 3/98, Solaris 7, Solaris 8, or a subsequent compatible Solaris release. To verify that the proper version of the operating environment is installed on your Sun Enterprise 450 server, examine the file `/etc/release`. The file should, for example, contain the text “Solaris 2.5.1 Hardware: 11/97” or it should identify a later compatible Solaris release.

For more information on software compatibility, read the Sun publication, *Installing Solaris Software for Selected Hardware (806-4005)*, shipped with the Operating Environment Installation CD.

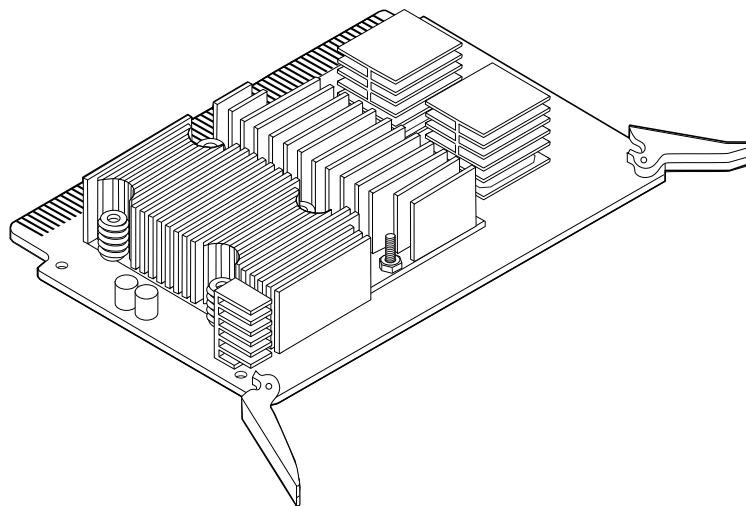
Any patches required for your Solaris software release can be found at the SunSolve Online web site at the URL:

<http://sunsolve.Sun.COM/>

---

## Identifying UltraSPARC II CPU Modules

The Sun Enterprise 450 server supports up to four 250-MHz, up to four 300-MHz, up to four 400-MHz, or up to four 480-MHz UltraSPARC II CPU modules. The following figure shows the new unshrouded 480-MHz UltraSPARC II CPU module that has 8 Mbytes of integrated cache memory.



Before installing the CPU module, verify that each new module is one of the following UltraSPARC II modules for Sun Enterprise 450 servers. The following table identifies CPU module speeds.

---

CPU Module Speed (MHz)	Part Number
250-MHz UltraSPARC II	501-4857 or 501-4278
300-MHz UltraSPARC II	501-4849 or 501-4196
400-MHz UltraSPARC II	501-5239 or 501-5446
480-MHz UltraSPARC II	501-5729

---

---

## Configuring the CPU Modules

Before configuring the CPU module(s), determine if your system will support the power requirements of the new configuration. Review “System Power Requirements Worksheet” on page 5 of this guide, and see the section “How to Determine System Power Requirements” in the *Ultra Enterprise 450 Server Owner’s Guide*.



---

**Caution** – All CPU modules installed in a system must operate at identical clock speeds.

---

Configure the UltraSPARC II CPU modules in your server according to the rules in the section “About CPU Modules” in the *Ultra Enterprise 450 Server Owner’s Guide*.

If your system has two power supplies, and you do not need a redundant power supply, follow the instructions in the next section, “Removing or Installing a CPU Module.”

## System Power Requirements Worksheet

The following information is an addition to the section “System Power Requirements Worksheet” in the *Ultra Enterprise 450 Server Owner’s Guide*. Use the following table for your power requirement calculations if you are installing any of the following components:

- 480-MHz CPU module with 8-Mbyte Ecache
- 400-MHz CPU module with 4-Mbyte Ecache
- SunCD™ 32 CD-ROM
- DVD ROM

- 18-Gbyte hard disk drive
- 36-Gbyte hard disk drive
- DDS4 tape drive

Line No.	Option	Qty	+3.3 VDC Amps	Total Amps @ 3.3 V	+5 VDC Amps	Total Amps @ 5 V	+12 VDC Amps	Total Amps @ 12 V
<b>CPU Options</b>								
	480-MHz CPU with 8-MB Ecache and DC-to-DC converter		7.5		6.7			
	400-MHz CPU with 4-MB Ecache and DC-to-DC converter		5.0		5.6			
<b>Internal Storage Device Options</b>								
	SunCD 32 CD-ROM				0.55		0.61	
	DVD ROM				0.42		0.51	
	18-GB hard disk drive				0.8		0.5	
	36-GB hard disk drive				0.8		0.5	
	DDS4 tape drive				0.9		0.5	

## Setting the Main Logic Board Jumpers

The following information supersedes the information presented in the section “About the Clock Mode Select Jumper” in the *Ultra Enterprise 450 Server Owner’s Guide*. Contrary to the table in the section, the new Sun Enterprise 450 server main logic board (501-5673) uses the clock mode select jumpers J2701 and J2702.

Set the clock mode jumper shunts at addresses J2701 and J2702 to correspond to the speed of your UltraSPARC II CPU module. Verify that the jumper setting is correct before starting the system.

Clock Speed	J2701	J2702
250-MHz	1 + 2	2 + 3
300-MHz	1 + 2	2 + 3
400-MHz	2 + 3	2 + 3
480-MHz	2 + 3	1 + 2

---

## Removing or Installing a CPU Module

Before removing or installing CPU modules, read the section “About CPU Modules” in the *Ultra Enterprise 450 Server Owner’s Guide*.



---

**Caution** – Before you install any CPU module, read the section “Setting the Main Logic Board Jumpers” on page 6 in this guide, and verify that the jumper setting is correct for the speed of the CPU module(s) you are installing. Serious system damage can result if the main logic board clock mode jumpers are set incorrectly.

---

If you need to know your system’s power consumption, read the section “System Power Requirements Worksheet” on page 5 in this guide, and then consult the section “How to Determine System Power Requirements” in the *Ultra Enterprise 450 Server Owner’s Guide*.

The 480-MHz CPU modules require an air guide for proper cooling. This air guide is installed on the 501-5673 main logic board. You must remove the air guide to access the CPU modules, and replace the air guide before restarting the system. For instructions on removing and replacing the air guide, see “Removing and Replacing the CPU Air Guide” on page 8.

To remove or install CPU modules into the Sun Enterprise 450 server, follow the instructions in the sections “How to Remove a CPU Module” and “How to Install a CPU Module” in the *Ultra Enterprise 450 Server Owner’s Guide*.

Before you install the fourth CPU module into the top CPU slot (CPU-A1), remove the blank baffle, if installed, from the connector (J0101). Grasp the blank baffle by the front handle and pull it out from the CPU slot.

---

# Removing and Replacing the CPU Air Guide

An air guide is installed on all 501-5673 main logic boards. The following sections describe how to remove and replace the CPU air guide.



---

**Caution** – The air guide is essential for proper system cooling. Do not start up the system without the air guide installed.

---

## How to Remove the CPU Air Guide

You must remove the air guide before removing or installing CPU modules.



---

**Caution** – This procedure must be performed by a qualified service-trained maintenance provider. Persons who remove any of the outer panels to access this equipment must observe all safety precautions and comply with skill-level requirements, certification, and all applicable local and national laws.

---

## Before You Begin

Complete these tasks, as described in the *Ultra Enterprise 450 Server Owner's Guide*:

- “How to Power Down the System”
- “How to Remove the Left Side Panel”
- “How to Avoid Electrostatic Discharge”

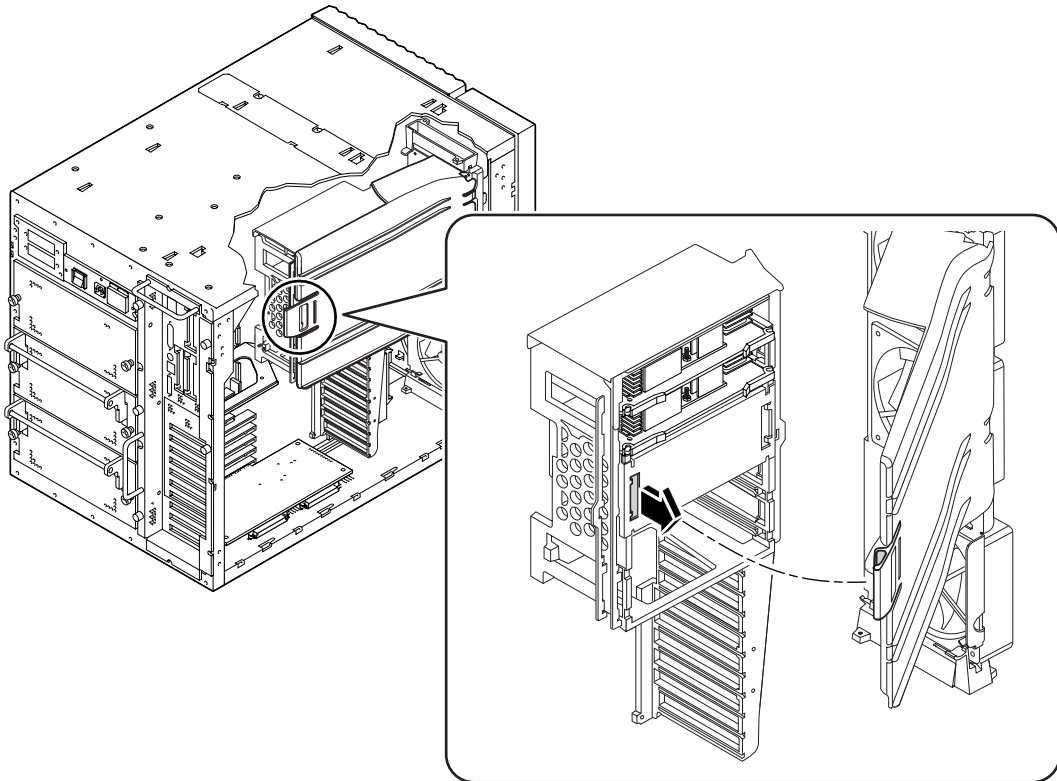


## What to Do

To remove the CPU air guide, do the following:

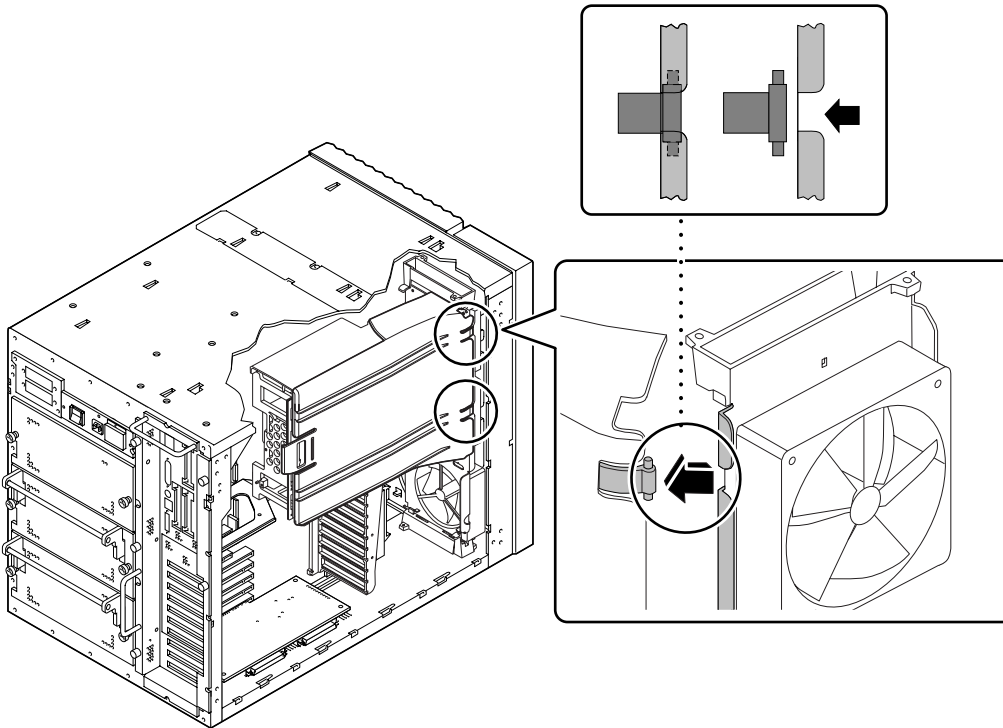
- 1. Carefully pull the left side latch toward you and swing the air guide out.**

The air guide latch should release from its catch on the main logic board Y-bracket.



**2. Unhook the air guide tabs from the CPU fan tray assembly.**

Slide the air guide toward the front of the chassis to release it from the CPU fan tray assembly.



## What Next

See the *Ultra Enterprise 450 Server Owner's Guide* for instructions on removing or installing CPU modules.

To replace the CPU air guide, complete the following task:

- “How to Replace the CPU Air Guide” on page 11

## How to Replace the CPU Air Guide



---

**Caution** – The air guide is essential for proper system cooling. Do not run the system without the air guide installed.

---



---

**Caution** – This procedure must be performed by a qualified service-trained maintenance provider. Persons who remove any of the outer panels to access this equipment must observe all safety precautions and comply with skill-level requirements, certification, and all applicable local and national laws.

---

### Before You Begin

Complete these tasks, as described in the *Ultra Enterprise 450 Server Owner's Guide*:

- “How to Power Down the System”
- “How to Remove the Left Side Panel”
- “How to Avoid Electrostatic Discharge”

In addition, complete the following task:

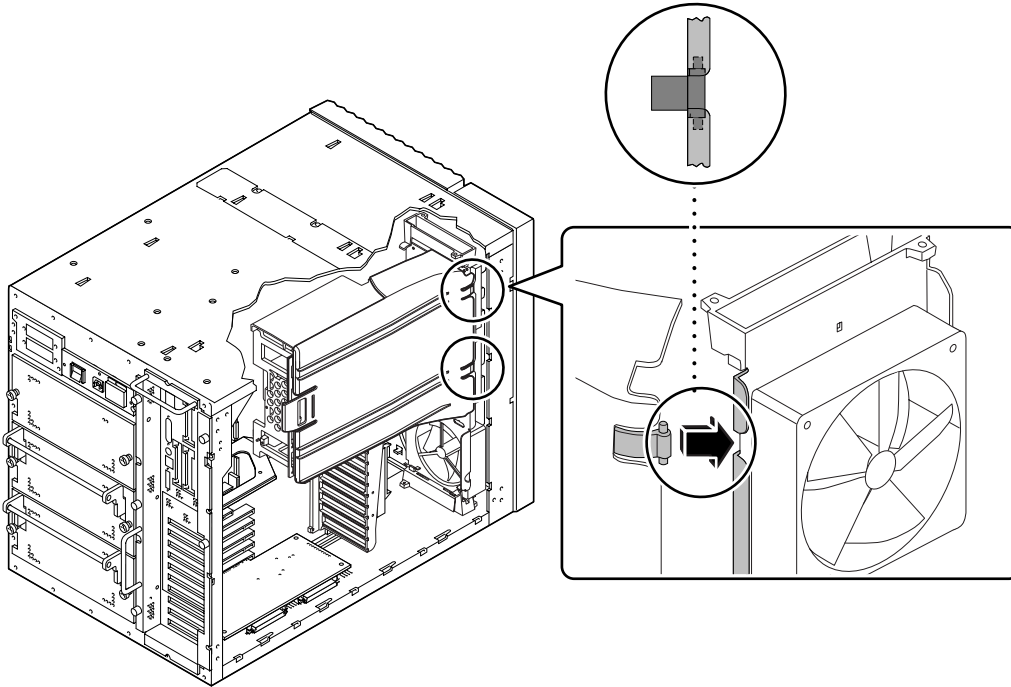
- “How to Remove the CPU Air Guide” on page 8 of this document

## What to Do

To replace the CPU air guide, do the following:

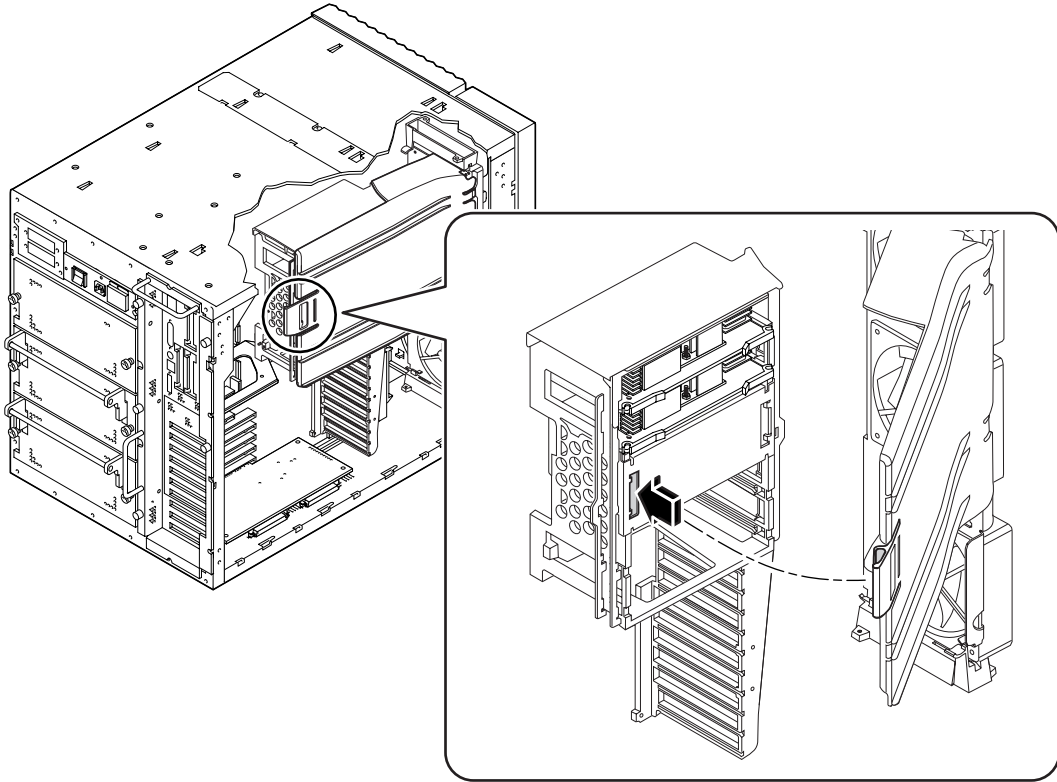
- 1. Hook the air guide tabs under the slots in the CPU fan tray assembly.**

The air guide must be held at an angle to provide enough clearance to hook the tabs under the slots in the CPU fan tray assembly.



- 2. Slide the air guide toward the rear of the chassis to secure the air guide tabs to the CPU fan tray assembly.**

3. Swivel the air guide against the Y-bracket on the main logic board and snap the latch closed.



## What Next

See the *Ultra Enterprise 450 Server Owner's Guide* for instructions on reassembling and restarting the system.



# Sun Enterprise 450 サーバー 480-MHz CPU モジュールガイド

---

UltraSPARC™ II 480-MHz CPU モジュールの取り付けやシステム構成を行う場合は、このマニュアルと Sun Enterprise™ 450 サーバーに付属している『Ultra Enterprise 450 サーバー ユーザーマニュアル』を参照してください。このマニュアルは、『Ultra Enterprise 450 サーバー ユーザーマニュアル』を補足するものです。

このマニュアルでは、以下の項目について説明します。

- 1 ページの「ハードウェア、ファームウェア、ソフトウェアサポートの確認方法」
- 5 ページの「UltraSPARC II CPU モジュールの識別」
- 6 ページの「CPU モジュールの構成」
- 7 ページの「メイン論理ボードのジャンパの設定」
- 8 ページの「CPU モジュールの取り外しと取り付け」
- 9 ページの「CPU エアガイドの取り外しと取り付け」

---

## ハードウェア、ファームウェア、ソフトウェアサ ポートの確認方法

使用しているサーバーに UltraSPARC II 480-MHz CPU モジュールを取り付ける場合は、『Ultra Enterprise 450 サーバー ユーザーマニュアル』とこのマニュアルを参照してください。

システムに 480-MHz モジュールがすでに装着されていて、さらにモジュールを追加する場合は、8 ページの「CPU モジュールの取り外しと取り付け」を参照してください。

現在稼働している UltraSPARC II 250、300、または 400-MHzCPU モジュールを UltraSPARC II 480-MHz CPU モジュールにアップグレードする場合は、現在のサーバーのメイン論理ボードが高速なモジュールに対応しているかどうか、および正しいバージョンの Sun Enterprise 450 OpenBoot ファームウェアイメージがインストールされているかどうかを確認する必要があります。

CPU モジュールの速度をアップグレードして、古いシャーシに CPU を取り付ける場合は、サーバーが 480-MHz の CPU モジュールをサポートしているかどうか、および Sun Enterprise 450 OpenBoot ファームウェアイメージのバージョンが正しいかどうかを確認する必要があります。

## 480-MHz CPU モジュールのサポートの確認

使用しているサーバーの論理ボードが 480-MHz CPU モジュールに対応しているかどうかは、UNIX<sup>®</sup> コマンドか ok プロンプトで確認できます。

コンソールまたはコマンドウィンドウで、次のコマンドを実行します。

- UNIX プロンプトに対して、次のように入力します。

```
% /usr/sbin/prtconf -pv | grep "501-5673"
```

論理ボードのパーツ番号である 501-5673 が表示された場合は、5 ページの「UltraSPARC II CPU モジュールの識別」を参照してください。

何も表示されなかった場合、システムボードのパーツ番号は 501-5673 ではありません。この場合は、ご使用の論理ボードに UltraSPARC II 480-MHz CPU モジュールを新しく取り付けることはできません。論理ボードのアップグレードについては、購入先にお問い合わせください。『Sun Enterprise 450 Server Board Upgrade Guide』に記載してあるボードと CPU モジュールのインストール方法に従ってください。

ok プロンプトが表示されている場合は、以下の操作を実行します。

1. 次のコマンドを入力します。

```
ok cd /
```



2. 以下のコマンドを使って、システムに関するデータの一覧を表示します。

```
ok .prp
```

表示されるメッセージ中の `model` 属性を確認してください。システムボードのパーツ番号が **501-5673** でない場合 (またはパーツ番号が表示されない場合) は、**UltraSPARC II 480-MHz CPU** モジュールを新しく取り付けることはできません。論理ボードのアップグレードについては、購入先にお問い合わせください。『**Sun Enterprise 450 Server Board Upgrade Guide**』に記載されている、ボードと CPU モジュールのインストール方法に従ってください。

パーツ番号が **501-5673** の場合は、次の節の「**OpenBoot ファームウェアイメージのバージョンの確認方法**」を参照してください。

## OpenBoot ファームウェアイメージのバージョンの確認方法

使用しているサーバーの論理ボードが **480-MHz CPU** モジュールに対応しているかどうかは、**UNIX** コマンドか、`ok` プロンプトで確認できます。

コンソールまたはコマンドウィンドウで、次のコマンドを実行します。

- **UNIX** プロンプトに対して、次のように入力します。

```
% /usr/sbin/prtconf -pv | grep OBP
```

`ok` プロンプトに対して、次のコマンドを実行します。

- 次のように入力します。

```
ok .version
```

表示される番号が **3.18** またはそれ以上の互換性のあるバージョンの場合は、ファームウェアは高速のモジュールに対応しています。詳細については、**2** ページの「**480-MHz CPU** モジュールのサポートの確認」を参照してください。表示されるバージョン番号が **3.18** より小さい場合は、**OpenBoot** ファームウェアを更新する必要があります。

システムのフラッシュ **PROM** の更新に関する情報については、**SunSolve™ Online Web** サイト (<http://sunsolve.sun.co.jp/>) を参照してください。この **Web** サイトでは、**Solaris** オペレーティング環境および **Sun Microsystems™** のハードウェアに推奨されるパッチが無料で提供されます。

フラッシュ **PROM** 更新用パッチをダウンロードするには、**SunSolve Online Web** ページにログインして、「パッチ」をクリックします。次のページが表示されたら「パッチ検索」をクリックして、パッチ番号 **106503** を検索します。画面上の指示に従ってください。

## システムソフトウェア要件の確認方法

**Sun Enterprise 450** サーバーは、**Solaris 2.5.1** ハードウェアリリース **11/97**、**Solaris 2.6** ハードウェア **3/98**、**Solaris 7**、**Solaris 8** またはそれ以降の互換性のある **Solaris** リリースを必要とします。使用している **Sun Enterprise 450** サーバーに、適切なバージョンの **Solaris** オペレーティング環境がインストールされているかどうかを確認するには、`/etc/release` ファイルを調べます。たとえば、**Solaris 2.5.1 Hardware:11/97** という文字列 (またはそれ以降の **Solaris** リリースを示す文字列) がファイルに含まれていることを確認してください。

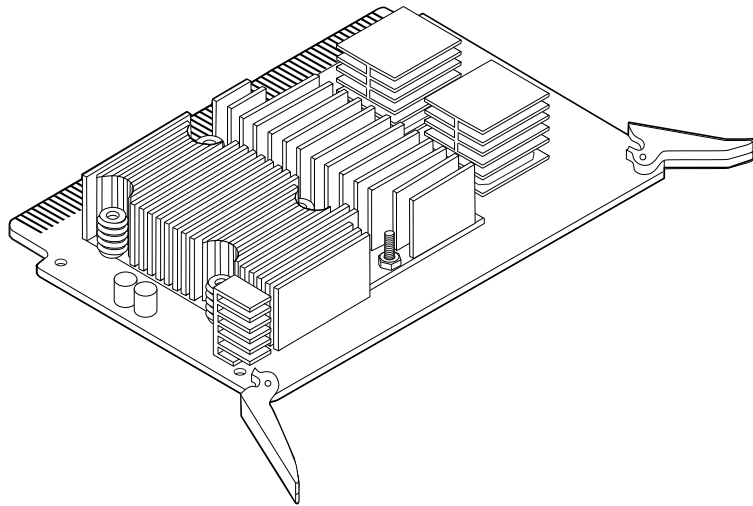
ソフトウェアの互換性に関する詳細については、**Operating Environment Installation CD** に付属する『**Installing Solaris Software for Selected Hardware**』(806-4005) を参照してください。

**Solaris** ソフトウェアリリースに必要なパッチはすべて **SunSolve Online Web** サイト (<http://sunsolve.sun.co.jp/>) から入手できます。

---

## UltraSPARC II CPU モジュールの識別

Sun Enterprise 450 サーバーは、250-MHz、300-MHz、400-MHz、480-MHz の UltraSPARC II CPU モジュールをそれぞれ最高 4 つまでサポートしています。以下の図は、8M バイトの外部キャッシュメモリーを搭載した 480-MHz UltraSPARC II CPU モジュールです。



取り付けの前に、CPU モジュールが下表の Sun Enterprise 450 サーバー用の UltraSPARC II モジュールのどれかに該当していることを確認してください。表には各 CPU モジュールの動作速度についても記述してあります。

CPU モジュールの動作速度 (MHz)	パーツ番号
250 MHz UltraSPARC II	501-4857 または 501-4278
300 MHz UltraSPARC II	501-4849 または 501-4196
400 MHz UltraSPARC II	501-5239 または 501-5446
480 MHz UltraSPARC II	501-5729

---

## CPU モジュールの構成

CPU モジュールを取り付ける前に、新しい構成がシステムのサポートする電力供給量の範囲内かどうか確認してください。6 ページの「システムの電力需要の判別方法」と、『Ultra Enterprise 450 サーバー ユーザーマニュアル』の「電力供給量の制約」の章を参照してください。



---

**注意** – 単一のシステム内で複数の CPU を稼働させる場合、すべての CPU モジュールの動作周波数は必ず同一にしてください。

---

『Ultra Enterprise 450 サーバー ユーザーマニュアル』の「CPU モジュール」の章に記載されている方法に従って、UltraSPARC II CPU モジュールをサーバーに取り付けてください。システムに 2 系統の電源装置があり、かつ冗長な電源装置が必要でない場合は、「CPU モジュールの取り外しと取り付け」の記載に従ってください。

## システムの電力需要の判別方法

以下の表は、『Ultra Enterprise 450 サーバー ユーザーマニュアル』の「システムの電力需要の判別方法」の章への追加情報です。下記のコンポーネントのどれかを取り付ける場合は、次の表を使用して電力需要を計算してください。

- 8M バイトの外部キャッシュのある 480-MHz CPU モジュール
- 4M バイトの外部キャッシュのある 400-MHz CPU モジュール
- SunCD™ 32 CD-ROM
- DVD ROM
- 18 G バイトハードディスクドライブ
- 36 G バイトハードディスクドライブ
- DDS4 テープドライブ

行 番 号	オプション	数 量	+3.3 VDC 電流	3.3 V での総 電流	+5 VDC 電流	5 V で の総電 流	+12 VDC 電流	12 V で の総電 流
CPU オプション								
	480MHz UltraSPARC-II CPUモ ジュール (8MB 外部キャッシュ とDC-DCコンバータ付)		7.5		6.7			
	400MHz UltraSPARC-II CPUモ ジュール (4MB 外部キャッシュ とDC-DCコンバータ付)		5.0		5.6			
内部記憶装置オプション								
	SunCD 32 CD-ROM ドライブ				0.55		0.61	
	DVD ROM				0.42		0.51	
	18 GB ハードディスクドライブ				0.8		0.5	
	36 GB ハードディスクドライブ				0.8		0.5	
	DDS4 テープドライブ				0.9		0.5	

## メイン論理ボードのジャンパの設定

以下の情報は、『Ultra Enterprise 450 サーバー ユーザーマニュアル』の「クロックモード選択ジャンパ」の章の変更点です。このマニュアルの情報が優先されます。同章の表での記述とは異なり、Sun Enterprise 450 サーバーメイン論理ボード (501-5673) では、クロックモード選択ジャンパ (J2701 および J2702) を使用します。

使用する UltraSPARC II CPU モジュールの動作周波数に応じて、アドレス J2701 および J2702 のクロックモードジャンパ分路を設定します。システムを起動する前に、ジャンパ設定が正しいかどうかを確認してください。

クロック速度	J2701	J2702
250-MHz	1 + 2	2 + 3
300-MHz	1 + 2	2 + 3
400-MHz	2 + 3	2 + 3
480-MHz	2 + 3	1 + 2

## CPU モジュールの取り外しと取り付け

CPU モジュールの取り外しまたは取り付けをする前に、『Ultra Enterprise 450 サーバー ユーザーマニュアル』の「CPU モジュール」の章をお読みください。



**注意** – CPU モジュールを取り付ける前に、7 ページの「メイン論理ボードのジャンパの設定」を読み、CPU モジュールの動作周波数とジャンパの設定が正しいことを確認してください。メイン論理ボードのクロックモードジャンパの設定が誤っていると、システムに重大な損傷を及ぼすことがあります。

システムの消費電力を知りたい場合は、6 ページの「システムの電力需要の判別方法」をお読みください。また、『Ultra Enterprise 450 サーバー ユーザーマニュアル』の「システムの電力需要の判別方法」の章も参照してください。

480-MHz CPU モジュールには、適切に冷却するためのエアガイドが必要です。エアガイドはメイン論理ボード (501-5673) 上に取り付けられています。CPU モジュールにアクセスするにはこのエアガイドを取り外す必要があります。システムを再起動する前に、エアガイドを再度取り付けてください。エアガイドの取り外しおよび取り付け手順は、9 ページの「CPU エアガイドの取り外しと取り付け」を参照してください。

Ultra Enterprise 450 サーバーの CPU モジュールの取り外しまたは取り付けをするには、次の節の「CPU モジュールの取り外しと取り付け」と『Ultra Enterprise 450 サーバー ユーザーマニュアル』の「CPU モジュールの取り付け」の章の説明に従ってください。

先頭の CPU スロット (CPU-A1) に 4 番目の CPU モジュールを取り付ける場合は、コネクタ (J0101) に緩衝材があればそれを取り除きます。緩衝材の前面ハンドルをつかんで、CPU スロットから抜き取ってください。

---

## CPU エアガイドの取り外しと取り付け

エアガイドは、501-5673 のメイン論理ボード上に取り付けられています。次の節では、CPU エアガイドの取り外しおよび取り付け方法を説明します。



---

**注意** – システムを適切に冷却するためには、CPU エアガイドが必要です。エアガイドが取り付けられていない状態でシステムを起動しないでください。

---

### CPU エアガイドの取り外し

CPU モジュールの取り外しまたは取り付けをする前に、エアガイドを取り外す必要があります。



---

**注意** – この作業は、有資格の保守担当者が行ってください。外部パネルを取り外して装置を取り扱う場合は、安全上の注意事項に従ってください。また、作業者は必要とされる技術レベルおよび資格要件を満たし、国とその地域が定める法律や条令に従う必要があります。

---

### 事前の作業

『Ultra Enterprise 450 サーバーユーザーマニュアル』に記述されている、次の作業を完了してください。

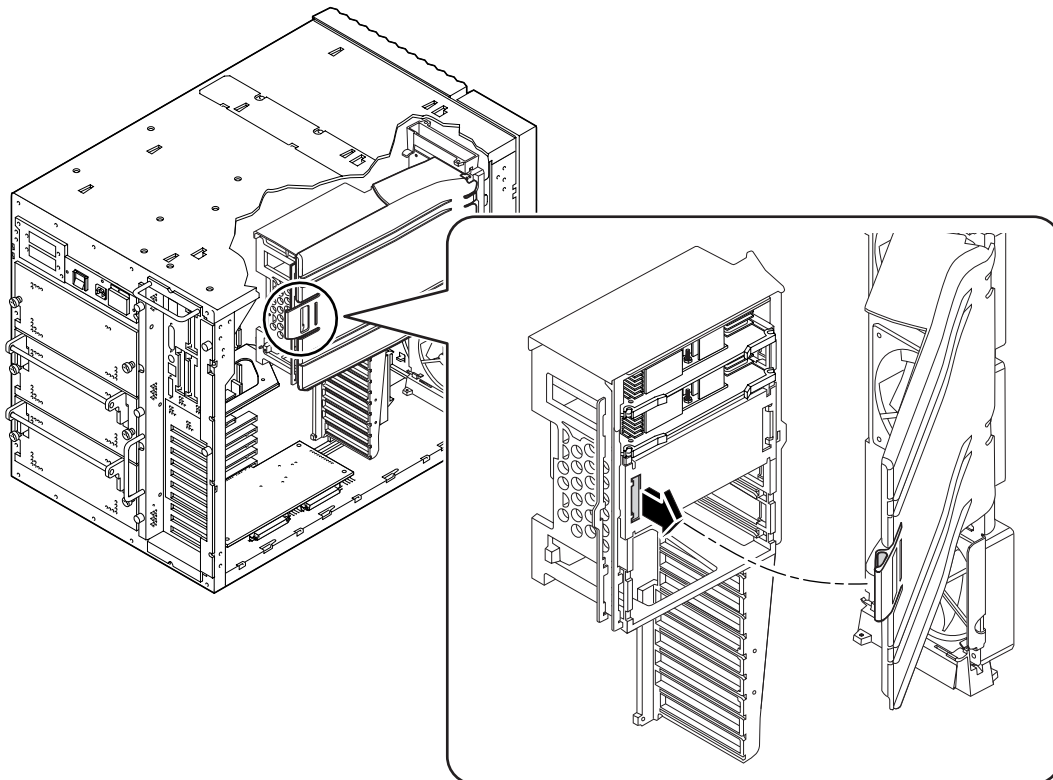
- 「電源の切り方」
- 「左側面パネルの取り外し」
- 「静電気防止対策」

## エアガイドの取り外し

次の手順に従って、CPU エアガイドを取り外します。

1. 左側のラッチを手前に引いて、エアガイドを開きます。

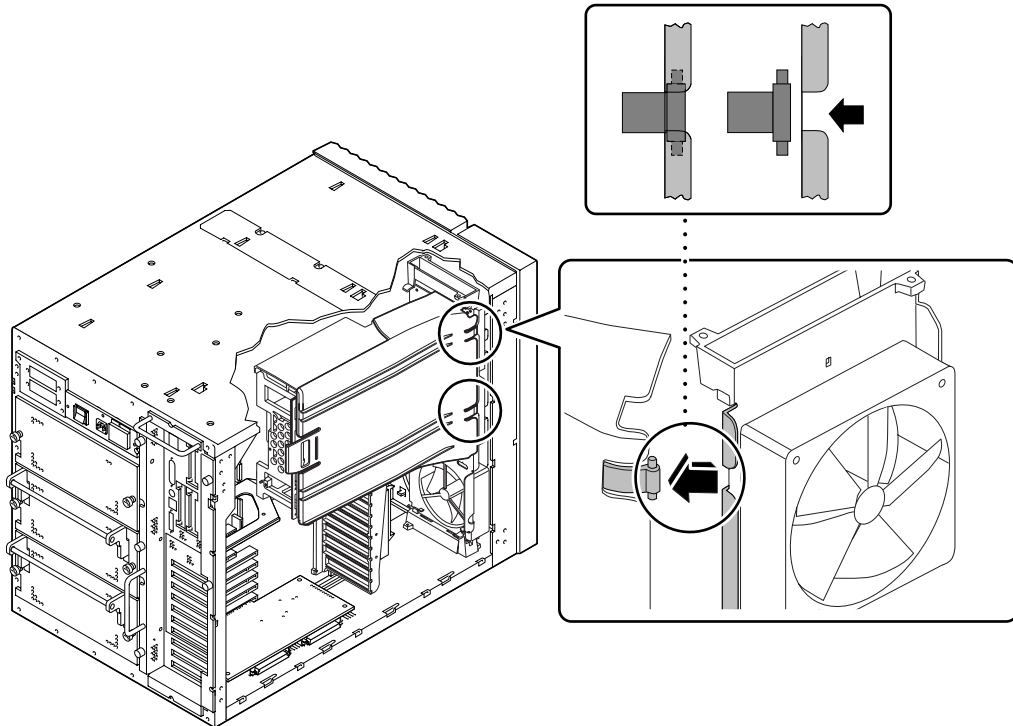
メイン論理ボードの Y ブラケット上の留め具から、エアガイドのラッチが外れます。





## 2. CPU のファントレイ部品からエアガイドのタブを外します。

エアガイドをシャーシの正面方向にスライドさせて、CPU ファントレイ部品から取り外します。



### 次の手順

CPU モジュールの取り外しまたは取り付けについては、『Ultra Enterprise 450 サーバーユーザーマニュアル』を参照してください。

CPU エアガイドを取り付けるには、次の作業を実行してください。

- 11 ページの「CPU エアガイドの取り付け」

### CPU エアガイドの取り付け



**注意** – システムを適切に冷却するためには、CPU エアガイドが必要です。エアガイドが取り付けられていない状態でシステムを起動しないでください。



---

**注意** - この作業は、有資格の保守担当者が行ってください。外部パネルを取り外して装置を取り扱う場合は、安全上の注意事項に従ってください。また、作業者は必要とされる技術レベルおよび資格要件を満たし、国とその地域が定める法律や条令に従う必要があります。

---

## 事前の作業

『Ultra Enterprise 450 サーバーユーザーマニュアル』に記述されている、次の作業を完了してください。

- 「電源の切り方」
- 「左側面パネルの取り外し」
- 「静電気防止対策」

さらに次の作業も行います。

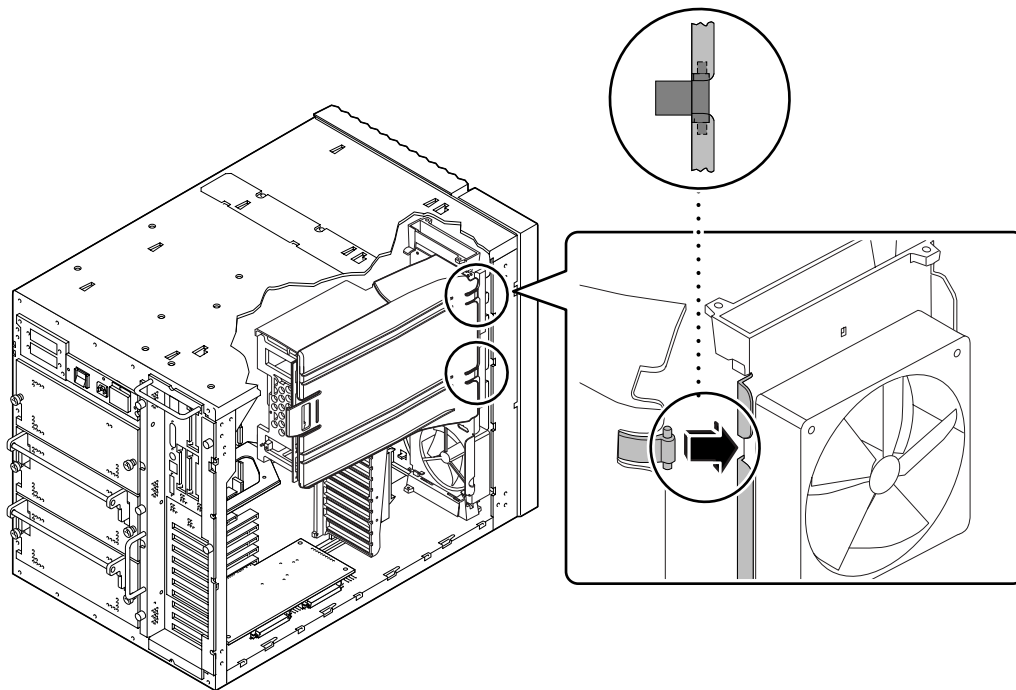
- このマニュアルの 9 ページの「CPU エアガイドの取り外し」

## エアガイドの取り付け

次の手順に従って、エアガイドを取り付けます。

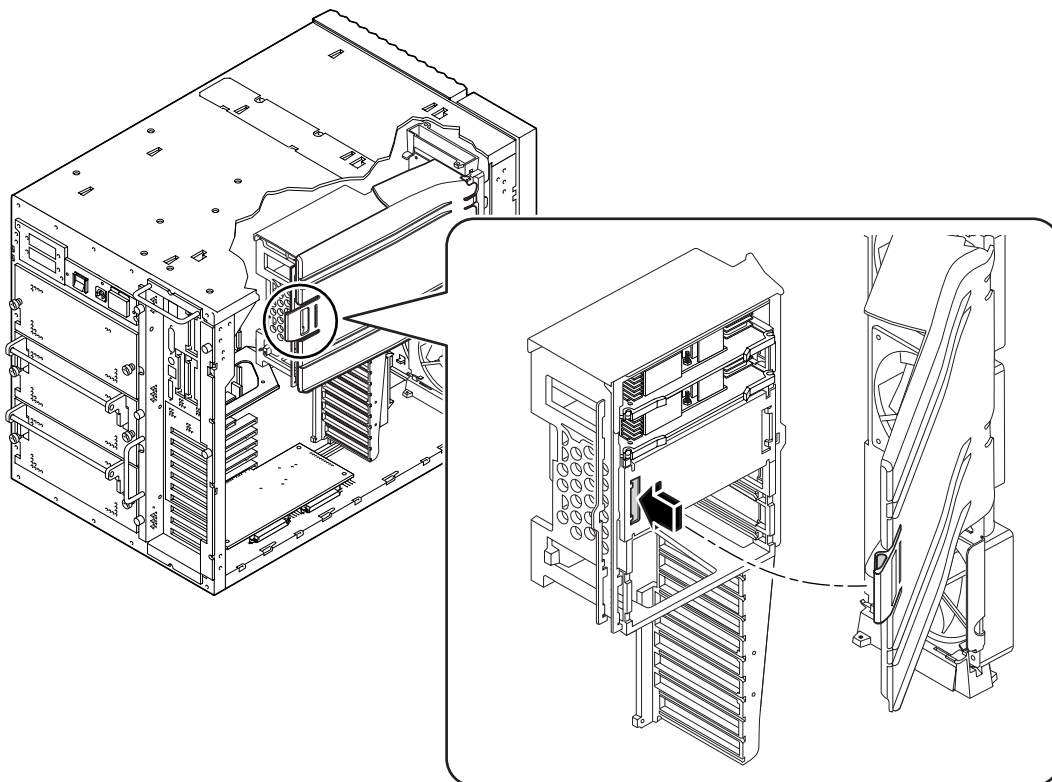
1. CPU ファントレイ部品のスロットの下側にエアガイドのタブを入れます。

エアガイドを斜めに持って十分な空間を作り、CPU ファントレイ部品のスロットの下側にタブを引っ掛けてください。



2. シャーシの背面方向にエアガイドをスライドさせて、CPU ファントレイ部品にエアガイドのタブを固定させます。

3. エアガイドをメイン論理ボード方向に押し、ラッチを Y ブラケットの留め具に固定します。



### 次の手順

システムの再組立てと再起動については、『Ultra Enterprise 450 サーバーユーザーマニュアル』を参照してください。

# Sun Enterprise 450 Server 480MHz CPU 모듈 설명서

---

새로운 UltraSPARC™ II 480MHz CPU 모듈을 구성하고 설치하려면 이 설명서를 *Ultra Enterprise 450 Server 사용 설명서*와 함께 사용하십시오. 이 설명서의 내용은 Sun Enterprise™ 450 서버와 함께 제공된 *Ultra Enterprise 450 Server 사용 설명서*에 추가됩니다.

이 설명서는 다음 항목으로 구성됩니다.

- ko-1 페이지의 "하드웨어, 펌웨어 및 소프트웨어 지원 확인"
- ko-4 페이지의 "UltraSPARC II CPU 모듈 확인"
- ko-5 페이지의 "CPU 모듈 구성"
- ko-6 페이지의 "주 논리 기관 점퍼 설정"
- ko-7 페이지의 "CPU 모듈 제거 또는 설치"
- ko-8 페이지의 "CPU 에어 유도 장치 제거 및 교체"

---

## 하드웨어, 펌웨어 및 소프트웨어 지원 확인

UltraSPARC II 480MHz CPU 모듈을 서버에 설치하려면 *Ultra Enterprise 450 Server 사용 설명서*와 더불어 이 설명서를 사용하십시오.

480MHz 모듈이 이미 설치되어 있는 시스템에 모듈을 추가하려면 ko-7 페이지의 "CPU 모듈 제거 또는 설치" 부분으로 가십시오.

UltraSPARC II 250-, 300- 이나 400MHz CPU 모듈을 UltraSPARC II 480MHz CPU 모듈로 교체하기 위해 업그레이드 버전을 구입하였으면 현재 서버의 시스템 기관이 더 빠른 모듈을 지원하는지, Sun Enterprise 450 OpenBoot™ 펌웨어 이미지의 올바른 개정판이 설치되어 있는지 확인해야 합니다.

CPU 모듈 속도를 업그레이드하고 이전 새시에 CPU를 설치할 경우 서버가 480MHz CPU 모듈을 지원하고 Sun Enterprise 450 OpenBoot 펌웨어 개정판이 올바른지 확인해야 합니다.

## 480MHz CPU 모듈에 대한 지원 확인 방법

서버가 480MHz CPU 모듈을 지원하는지 확인하려면 UNIX® 명령어를 사용하거나 ok 프롬프트에서 알아낼 수 있습니다.

콘솔 창이나 명령 창에서,

- UNIX 프롬프트에 다음 명령어를 입력합니다.

```
% /usr/sbin/prtconf -pv | grep "501-5673"
```

반환되는 숫자가 501-5673인 경우, 이 설명서 ko-4 페이지의 "UltraSPARC II CPU 모듈 확인" 부분으로 갑니다.

반환되는 숫자가 없으면 시스템 기관의 부품 번호가 501-5673이 아니며 새로운 UltraSPARC II 480MHz CPU 모듈을 현재 주 논리 기관에 설치할 수 없습니다. Sun™ 영업 대리점에 업그레이드된 기관을 문의하십시오. *Sun Enterprise 450 Server Board Upgrade Guide*의 기관 및 CPU 모듈 설치 지침을 따르십시오.

ok 프롬프트가 나타나면,

1. 다음 명령어를 입력합니다.

```
ok cd /
```

## 2. 다음 명령어를 입력하여 시스템에 대한 데이터 목록을 표시합니다.

```
ok .prp
```

model 등록 정보에 대해 나열된 출력을 검사합니다. 시스템 기관의 부품 번호가 501-5673이 아니면 또는 부품 번호가 나열되지 않으면 새로운 UltraSPARC II 480MHz CPU 모듈을 설치할 수 없습니다. Sun 영업 대리점에 업그레이드 기관을 문의하십시오. *Sun Enterprise 450 Server Board Upgrade Guide*의 기관 및 CPU 모듈 설치 지침을 따릅니다. 부품 번호가 501-5673이면 다음 절, "OpenBoot 펌웨어 이미지 개정판 식별 방법"으로 가십시오.

## OpenBoot 펌웨어 이미지 개정판 식별 방법

서버가 480MHz CPU 모듈을 지원하는지 확인하려면 UNIX 명령을 사용하거나 ok 프롬프트에서 찾을 수 있습니다.

UNIX 콘솔 또는 명령 창에서,

- UNIX 프롬프트에서 다음 명령을 입력합니다.

```
% /usr/sbin/prtconf -v | grep OBP
```

ok 프롬프트에서,

- ok 프롬프트에서 다음 명령을 입력합니다.

```
ok .version
```

반환된 버전이 3.18이거나 그 이상의 호환 가능 버전이면 사용자의 펌웨어는 더 빠른 모듈을 지원합니다. 자세한 내용은 ko-2페이지의 "480MHz CPU 모듈에 대한 지원 확인"을 참조하십시오. 반환된 버전이 3.18 이하인 경우, OpenBootTM 펌웨어를 사전 업데이트해야 합니다.

시스템 펌웨어의 사전 업데이트 수행에 대한 정보는 다음 URL의 SunSolve™ Online 웹 사이트로 문의하십시오.

<http://sunsolve.Sun.COM>

사전 업데이트를 다운로드하려면 SunSolve Online 웹 페이지에 로그인해야 합니다. "Patches" 를 누릅니다. 다음 페이지에서 "Find Patch" 를 눌러 부품 번호 106503을 찾아서 화면상의 지침을 수행합니다.

## 시스템 소프트웨어 요구 사항 식별 방법

Sun Enterprise 450 서버는 Solaris 2.5.1 Hardware: 11/97, Solaris 2.6 Hardware: 3/98, Solaris 7, Solaris 8 또는 이후 호환 가능한 Solaris 릴리스가 필요합니다. 운영 체제의 적절한 버전이 Sun Enterprise 450 서버에 설치되어 있는지 확인하려면 /etc/release. 파일을 검사합니다. 파일은 예를 들어 "Solaris 2.5.1 Hardware: 11/97" 텍스트를 포함하거나 이후의 호환가능한 Solaris 릴리스를 식별해야 합니다.

소프트웨어 호환성에 대한 자세한 내용은 운영 환경 설치 CD에 수록된 Sun 출판물인 *Installing Solaris Software for Selected Hardware* (806-4005)를 읽어 보십시오.

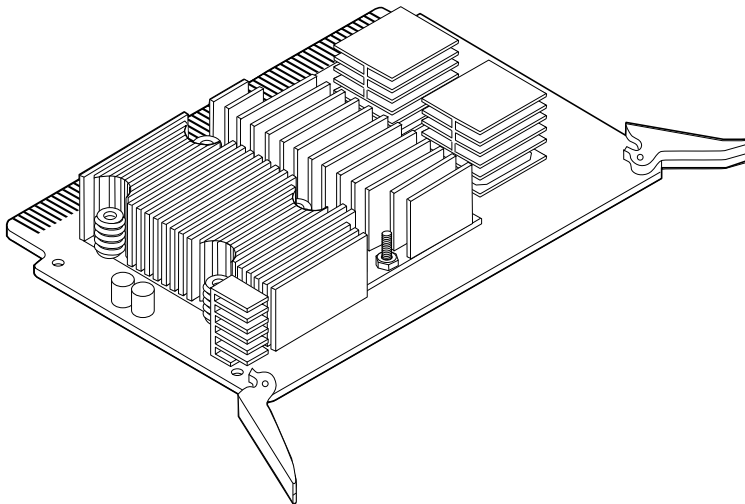
Solaris 소프트웨어 릴리스에 필요한 패치는 다음 URL의 SunSolve Online 웹 사이트에서 찾을 수 있습니다.

<http://sunsolve.Sun.COM/>

---

## UltraSPARC II CPU 모듈 확인

Sun Enterprise 450 서버는 250MHz, 300MHz, 400MHz 또는 480MHz UltraSPARC II CPU 모듈을 4개까지 지원합니다. 다음 그림은 통합된 캐시 메모리 8MB를 가지고 있는 덮개가 없는 새로운 480MHz UltraSPARC II CPU 모듈입니다.





CPU 모듈을 설치하기 전에 모듈이 다음의 Sun Enterprise 450 서버용 UltraSPARC II 모듈 중 하나에 해당하는지 확인하십시오. 다음은 CPU 모듈 속도에 따라 분류한 표입니다.

CPU 모듈 속도(MHz)	부품 번호
250MHz UltraSPARC II	501-4857 또는 501-4278
300MHz UltraSPARC II	501-4849 또는 501-4196
400MHz UltraSPARC II	501-5239 또는 501-5446
480MHz UltraSPARC II	501-5729

## CPU 모듈 구성

CPU 모듈을 구성하기 전에 새 시스템이 새 구성의 전력 수요량을 지원하는지 결정하십시오. 이 설명서 ko-5 페이지의 "시스템 전력 수요량 워크시트" 부분을 검토하고, *Ultra Enterprise 450 Server 사용 설명서*의 "시스템 전력 수요량 결정" 부분을 참조하십시오.



**주의** - 시스템에 설치된 CPU 모듈은 모두 동일한 클럭 속도로 작동해야 합니다.

*Ultra Enterprise 450 Server 사용 설명서*의 "CPU 모듈 정보" 부분에 있는 규칙에 따라 서버의 UltraSPARC II CPU 모듈을 구성하십시오.

시스템에 전원 공급 장치가 두 개 있으며 여러분의 전원 공급 장치가 필요없으면 다음 절, "CPU 모듈 제거 또는 설치" 부분에 있는 지침을 따르십시오.

## 시스템 전력 수요량 워크시트

*Ultra Enterprise 450 Server 사용 설명서*의 "시스템 전력 수요량 워크시트" 부분에 다음 내용이 추가됩니다. 다음 구성 요소를 설치하려면 전력 수요량 산출에 대한 다음 표를 참조하십시오.

- 8MB Ecacherk 있는 480MHz CPU 모듈
- 4MB Ecache가 있는 400MHz CPU 모듈
- SunCD™ 32 CD-ROM
- DVD ROM
- 18-GB 하드 디스크 드라이브
- 36-GB 하드 디스크 드라이브
- DDS4 테이프 드라이브

행 번호.	옵션	수량	+3.3 VDC 암페어	총암페어 @ 3.3 V	+5 VDC 암페어	총암페어 @ 5 V	+12 VDC 암페어	총암페어 @ 12 V
<b>CPU 옵션</b>								
	8MB Ecache와 DC/DC 변환기를 사용하는 480MHz CPU		7.5		6.7			
	4MB Ecache와 DC/DC 변환기를 사용하는 400MHz CPU		5.0		5.6			
<b>내부 기억 장치 옵션</b>								
	SunCD 32 CD-ROM				0.55		0.61	
	DVD ROM				0.42		0.51	
	18-GB 하드 디스크 드라이브				0.8		0.5	
	36-GB 하드 디스크 드라이브				0.8		0.5	
	DDS4 테이프 드라이브				0.9		0.5	

## 주 논리 기판 점퍼 설정

Ultra Enterprise 450 Server 사용 설명서의 "클록 모드 선택 점퍼 정보"에 대한 내용이 다음과 같이 변경되었습니다. 이 절의 표와는 달리, 클록 모드 선택 점퍼 J2701 및 J2702가 새로운 Sun Enterprise 450 서버 주 논리 기판(501-5673)에서 사용됩니다.

어드레스 J2701 및 J2702에 있는 클록 모드 점퍼를 UltraSPARC II CPU 모듈의 속도와 일치하도록 설정하십시오. 시스템을 시작하기 전에 점퍼 설정값이 정확한지 확인하십시오.

클록 속도	J2701	J2702
250MHz	1 + 2	2 + 3
300MHz	1 + 2	2 + 3
400MHz	2 + 3	2 + 3
480MHz	2 + 3	1 + 2

# CPU 모듈 제거 또는 설치

CPU 모듈을 제거하거나 설치하기 전에 *Ultra Enterprise 450 Server 사용 설명서*의 "CPU 모듈 정보" 부분을 먼저 읽어주십시오.



**주의** – CPU 모듈을 설치하기 전에 이 설명서 ko-6 페이지의 "주 논리 기관 점퍼 설정" 부분을 읽고 점퍼 설정값이 현재 설치하려는 CPU 속도에 대해 정확한지 확인합니다. 주 논리 기관 클록 모드 점퍼가 틀리게 설정되면 시스템이 심각하게 손상될 수 있습니다.

시스템의 전력 소모량을 알려면 먼저 이 설명서 ko-5 페이지의 "시스템 전력 수요량 워크시트" 부분을 읽고 *Ultra Enterprise 450 Server 사용 설명서*의 "시스템 전력 수요량 결정 방법" 부분을 참조하십시오.

480MHz CPU 모듈은 적절한 쿨링을 위해 에어 유도 장치가 필요합니다. 에어 유도 장치는 501-5673 주 논리 기관에 설치됩니다. CPU 모듈에 액세스하려면 에어 유도 장치를 제거하고 시스템을 다시 시작하기 전에 에어 유도 장치를 교체해야 합니다. 에어 유도 장치를 제거하거나 교체하기 위한 지침은 ko-8 페이지의 "CPU 에어 유도 장치 제거 및 교체" 를 참조하십시오.

Sun Enterprise 450 서버의 CPU 모듈을 제거하거나 설치하려면 *Ultra Enterprise 450 Server 사용 설명서*의 "CPU 모듈 제거 방법" 및 "CPU 모듈 설치 방법" 부분에 있는 지침을 따르십시오.

최상단 CPU 슬롯 (CPU-A1)에 네 번째 CPU 모듈을 설치하기 전에 커넥터(J0101)에 설치된 빈 배플을 분리해내십시오. 전면 손잡이 옆에 있는 빈 배플을 잡고 CPU 슬롯에서 빼냅니다.

---

# CPU 에어 유도 장치 제거 및 교체

에어 유도 장치는 모든 501-5673 주 논리 기관에 설치됩니다. 다음 절에서는 CPU 에어 유도 장치를 제거하고 교체하는 방법에 대해 설명합니다.



---

**주의** - 에어 유도 장치는 적절한 시스템 쿨링을 위한 필수 장비입니다. 에어 유도 장치를 설치하지 않고 시스템을 시작할 수 없습니다.

---

## CPU 에어 유도 장치 제거 방법

CPU 모듈을 제거하거나 설치하기 전에 에어 유도 장치를 제거해야 합니다.



---

**주의** - 이 절차는 자격있는 훈련된 서비스 유지 보수 제공자가 수행해야 합니다. 이 장비에 액세스하기 위해 임의의 외부 패널을 제거하는 사람은 모든 안전 주의 사항을 준수하고 기술 수준 요구 사항, 증명 및 모든 적용 가능 국법과 지역법을 따라야 합니다.

---

### 시작하기 전에

*Ultra Enterprise 450 Server 사용 설명서*에 수록된 다음 작업을 수행하십시오.

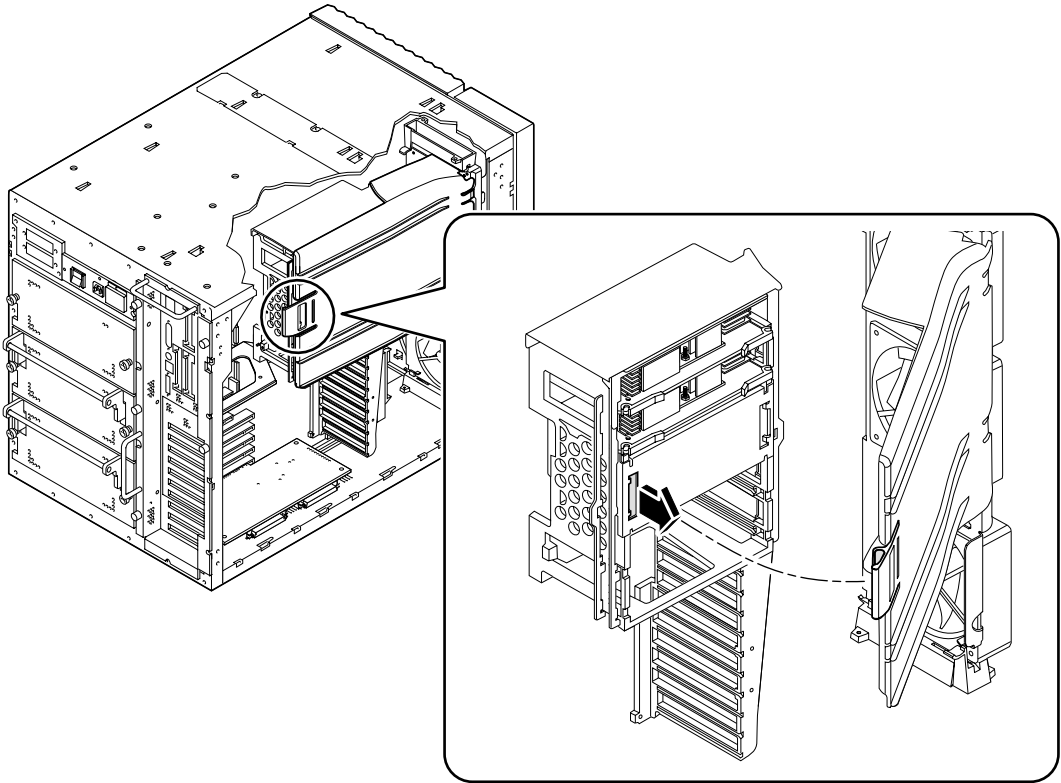
- "시스템의 전원을 끄는 방법"
- "왼쪽 패널 제거 방법"
- "정전기 방전을 피하는 방법"

## 수행 사항

CPU 에어 유도 장치를 제거하려면 다음을 수행합니다.

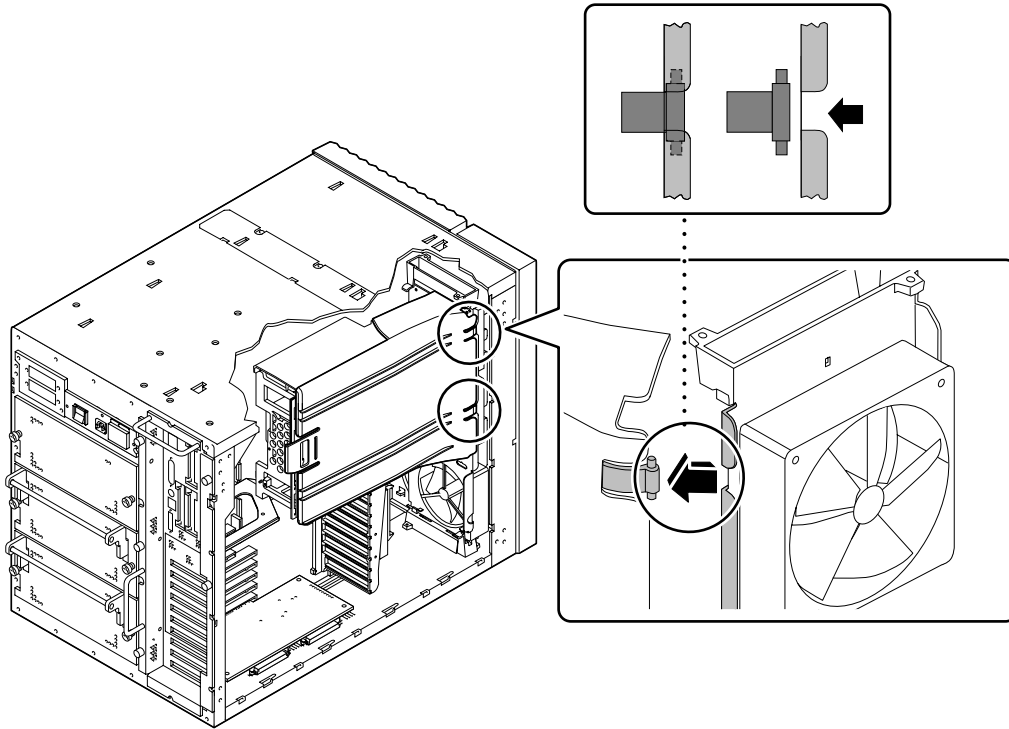
1. 왼쪽 래치를 사용자 쪽으로 주의해서 잡아 당겨 에어 유도 장치를 빼냅니다.

에어 유도 장치 래치는 주 논리 기판 Y자형 브래킷의 걸쇠를 풀어 주어야 합니다.



## 2. CPU 팬 트레이 어셈블리로부터 에어 유도 장치 랙의 걸쇠를 벗깁니다.

CPU 팬 트레이 어셈블리에서 분리시키기 위해 새시 앞 쪽으로 에어 유도 장치를 밀어 넣습니다.



### 다음 단계

CPU 모듈을 제거하고 설치하기 위한 지침은 *Ultra Enterprise 450 Server 사용 설명서*를 참조하십시오.

CPU 에어 유도 장치를 교체하려면 다음 작업을 수행하십시오.

- ko-11 페이지의 "CPU 에어 유도 장치 교체 방법"

## CPU 에어 유도 장치 교체 방법



---

**주의** - 에어 유도 장치는 적절한 시스템 쿨링을 위한 필수 장비입니다. 에어 유도 장치를 설치하지 않고 시스템을 시작할 수 없습니다.

---



---

**주의** - 이 절차는 자격있는 훈련된 서비스 유지 보수 제공자가 수행해야 합니다. 이 장비에 액세스하기 위해 임의의 외부 패널을 제거하는 사람은 모든 안전 주의 사항을 준수하고 기술 수준 요구 사항, 증명 및 모든 적용 가능 국법과 지역법을 따라야 합니다.

---

### 시작하기 전에

*Ultra Enterprise 450 Server 사용 설명서*에 수록된 다음 작업을 수행하십시오.

- "시스템 전원을 끄는 방법"
- "왼쪽 패널 제거 방법"
- "정전기 방전을 피하는 방법"

또한 다음 작업을 완성하십시오.

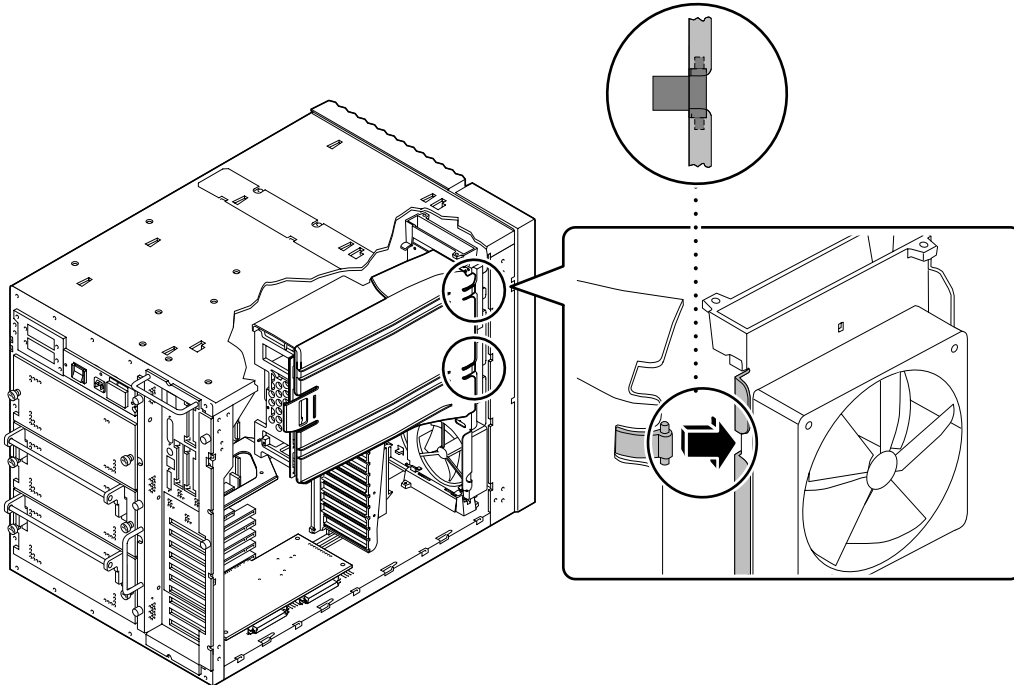
- 이 설명서 ko-8 페이지의 "CPU 에어 유도 장치 제거 방법"

## 수행 사항

CPU 에어 유도 장치를 교체하려면 다음을 수행하십시오.

### 1. CPU 팬 트레이 어셈블리의 슬롯 아래에 있는 에어 유도 장치 탭의 걸쇠를 채웁니다.

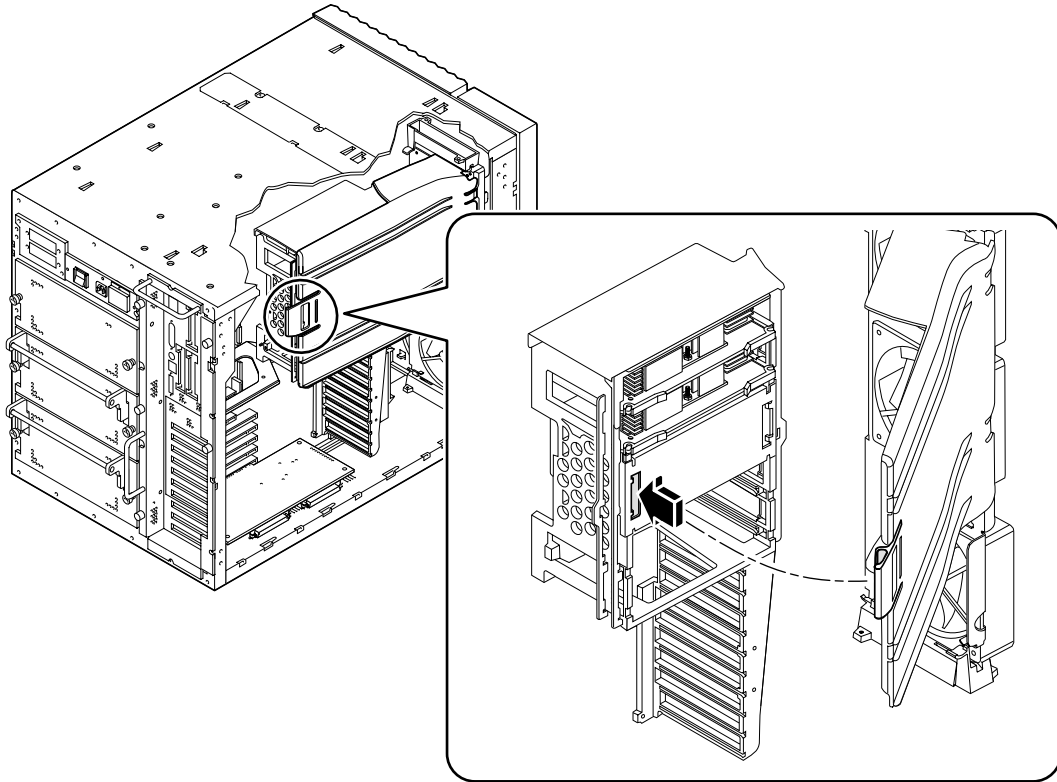
에어 유도 장치는 CPU 팬 트레이 어셈블리의 슬롯 아래에 있는 탭의 걸쇠를 채우기 위해 충분한 여유 공간을 주는 각도에서 유지되어야 합니다.



### 2. CPU 팬 트레이 어셈블리의 에어 유도 장치 탭을 보호하기 위해 새시의 뒤쪽으로 에어 유도 장치를 밀어냅니다.



3. 주 논리 기판의 Y자형 브래킷에 에어 유도 장치를 회전 고리로 연결하고 래치를 찰각하고 채웁니다.



### 다음 단계

시스템의 재조립 및 재시작에 대한 지침은 *Ultra Enterprise 450 Server 사용 설명서*를 참조하십시오.



# Sun Enterprise 450 服务器 480 MHz CPU 模块指南

---

将本指南和 《*Ultra Enterprise 450 服务器用户指南*》 一起使用，以配置和安装新的 UltraSPARC™ II 480 MHz CPU 模块。本指南中的信息是对 Sun Enterprise™ 450 服务器随带的 《*Ultra Enterprise 450 服务器用户指南*》 的补充。

本指南包括下列主题：

- “验证硬件、固件和软件支持”，第 zh-1 页
- “识别 UltraSPARC II CPU 模块”，第 zh-4 页
- “配置 CPU 模块”，第 zh-5 页
- “设置逻辑主板跳线”，第 zh-6 页
- “拆除或安装 CPU 模块”，第 zh-7 页
- “拆除和安装 CPU 导气片”，第 zh-8 页

---

## 验证硬件、固件和软件支持

如果正在服务器中安装 UltraSPARC II 480 MHz CPU 模块，请使用本指南中的信息作为 《*Ultra Enterprise 450 服务器用户指南*》 的补充。

如果系统已安装了 480 MHz 模块，而您正在向系统中添加模块，请转到第 zh-7 页中的 “拆除或安装 CPU 模块” 一节。

如果您购买了升级版，要使用 UltraSPARC II 480 MHz CPU 模块来替换 UltraSPARC II 250、300 或 400 MHz CPU 模块，则必须验证当前服务器上的逻辑主板是否支持速度更快的模块，以及安装的 Sun Enterprise 450 OpenBoot™ 固件映像的版本是否正确。

如果是在原有底盘上升级 CPU 模块速度和安装 CPU，则必须验证您的服务器是否支持 480 MHz CPU 模块，以及 Sun Enterprise 450 OpenBoot 固件版本是否正确。

## 如何验证是否支持 480 MHz CPU 模块

要验证服务器是否支持 480 MHz CPU 模块，您可以使用 UNIX® 命令，或者在 ok 提示下进行验证。

从控制台或从命令窗口：

- 在 UNIX 提示下输入下列命令：

```
% /usr/sbin/prtconf -pv | grep "501-5673"
```

如果返回值为 501-5673，则请转到本指南第 zh-4 页中的“识别 UltraSPARC II CPU 模块”一节。

如果未返回任何值，则系统板的部件号不是 501-5673。您不能在当前的逻辑主板上安装新的 UltraSPARC II 480 MHz CPU 模块。关于订购主板升级事宜，请与 Sun™ 销售代表联系。按照《Sun Enterprise 450 Server Board Upgrade Guide》中的主板和 CPU 模块安装指令进行。

如果显示 ok 提示：

1. 输入下列命令：

```
ok cd /
```

2. 输入下列命令以获取有关系统的数据列表:

```
ok .prp
```

检查列出的输出数据以获取 `model` 属性。如果系统板的部件号不是 501-5673 (或者未列出部件号), 则您不能安装新的 UltraSPARC II 480 MHz CPU 模块。关于订购主板升级事宜, 请与 Sun 销售代表联系。按照 《*Sun Enterprise 450 Server Board Upgrade Guide*》中的主板和 CPU 模块安装指令进行。

如果系统板的部件号是 501-5673, 则请转到下一节 “如何识别 OpenBoot 固件映像版本”。

## 如何识别 OpenBoot 固件映像版本

要验证您的服务器是否支持 480 MHz CPU 模块, 可以使用 UNIX 命令, 或者在 `ok` 提示下进行验证。

从 UNIX 控制台或从命令窗口:

- 在 UNIX 提示下输入下列命令:

```
% /usr/sbin/prtconf -V | grep OBP
```

从 `ok` 提示下:

- 在 `ok` 提示下输入下列命令:

```
ok .version
```

如果返回的版本号为 3.18 或更高兼容版, 则固件将支持速度更快的模块。有关更多信息, 请参阅第 zh-2 页中的 “如何验证是否支持 480 MHz CPU 模块”。如果返回的版本号低于 3.18, 则必须擦写 OpenBootTM 固件以进行更新。

有关执行擦写更新系统固件的信息, 请访问 SunSolve™ Online 网站, 网址为 <http://sunsolve.Sun.COM>。

要下载擦写更新软件, 先登录进入 SunSolve Online 网页。单击 “Patches”。在下一页上, 单击 “Find Patch”, 搜索增补程序号为 106503 的增补程序, 然后按照屏幕上的指令操作。

## 如何确定系统软件需求

Sun Enterprise 450 服务器要求使用 Solaris 2.5.1 硬件：11/97、Solaris 2.6 硬件：3/98、Solaris 7、Solaris 8 或后续的兼容 Solaris 版本。要验证 Sun Enterprise 450 服务器上安装的操作环境版本是否正确，可检查文件 `/etc/release`。此文件应当包括诸如“Solaris 2.5.1 硬件：11/97”的信息，或者应识别出后续兼容的 Solaris 版本。

有关软件兼容性的更多信息，请参阅 Operating Environment Installation CD 附带的 Sun 出版物《*Installing Solaris Software for Selected Hardware*》(806-4005)。

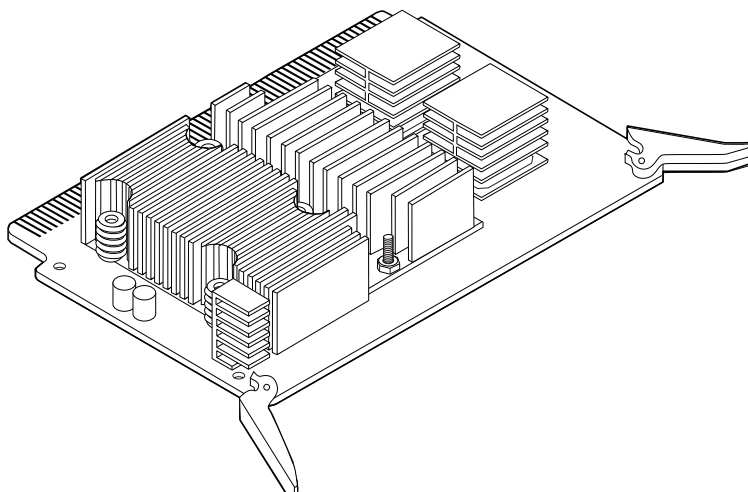
您的 Solaris 软件版本所需的所有增补程序都可以从以下 SunSolve Online 网站上找到，网址为：

<http://sunsolve.Sun.COM/>

---

## 识别 UltraSPARC II CPU 模块

Sun Enterprise 450 服务器支持多达四个 250 MHz、四个 300 MHz、四个 400 MHz 或四个 480 MHz UltraSPARC II CPU 模块。下图显示新型无护罩的 480 MHz UltraSPARC II CPU 模块（有 8MB 的集成高速缓冲存储器）。



安装 CPU 模块之前，验证每块新的模块都是 Sun Enterprise 450 服务器系统的下列 UltraSPARC II 模块型号之一。下表标识出 CPU 模块速度。

CPU 模块速度 (MHz)	部件号
250 MHz UltraSPARC II	501-4857 或 501-4278
300 MHz UltraSPARC II	501-4849 或 501-4196
400 MHz UltraSPARC II	501-5239 或 501-5446
480 MHz UltraSPARC II	501-5729

---

## 配置 CPU 模块

配置 CPU 模块之前，确定您的系统是否支持新配置的功率需求。查看本指南第 zh-5 页中的“系统功率需求工作单”，并参阅《Ultra Enterprise 450 服务器用户指南》中的“如何确定系统功率需求”一节。



---

**警告** – 系统中安装的所有 CPU 模块都必须按相同的时钟速度操作。

---

按照《Ultra Enterprise 450 服务器用户指南》中“关于 CPU 模块”一节的规则配置服务器中的 UltraSPARC II CPU 模块。

如果系统有两个电源，就不需要冗余电源，则请按照下一节“拆除或安装 CPU 模块”中的指令进行。

## 系统功率需求工作单

下列信息是对《Ultra Enterprise 450 服务器用户指南》中“系统功率需求工作单”一节的补充。如果您在安装下列任一组件，请按照下表计算功率需求：

- 带有 8 MB Ecache 的 480 MHz CPU 模块
- 带有 4 MB Ecache 的 400 MHz CPU 模块
- SunCD™ 32 CD-ROM
- DVD ROM

- 18 GB 硬盘驱动器
- 36 GB 硬盘驱动器
- DDS4 磁带驱动器

行号	选件	数量	直流 +3.3 伏 安培数	总的安培数 @ (电压 3.3 伏)	直流 +5 伏 安培数	总的安培数 @ (电压 5 伏)	直流 +12 伏 安培数	总的安培数 @ (电压 12 伏)
CPU 选件								
	480 MHz CPU (带有 8 MB Ecache 和 DC/DC 转换器)		7.5		6.7			
	400 MHz CPU (带有 4 MB Ecache 和 DC/DC 转换器)		5.0		5.6			
内部存储设备选件								
	SunCD 32 CD-ROM				0.55		0.61	
	DVD ROM				0.42		0.51	
	18 GB 硬盘驱动器				0.8		0.5	
	36 GB 硬盘驱动器				0.8		0.5	
	DDS4 磁带驱动器				0.9		0.5	

## 设置逻辑主板跳线

下列信息将取代《Ultra Enterprise 450 服务器用户指南》中“关于时钟模式选择跳线”一节的信息。与该节表格中的信息相反，新的 Sun Enterprise 450 服务器逻辑主板 (501-5673) 使用时钟模式选择跳线 J2701 和 J2702。

在地址 J2701 和 J2702 处设置时钟模式跳线器以与 UltraSPARC II CPU 模块的速度相符。启动系统之前，验证跳线设定是否正确。

时钟速度	J2701	J2702
250 MHz	1 + 2	2 + 3
300 MHz	1 + 2	2 + 3
400 MHz	2 + 3	2 + 3
480 MHz	2 + 3	1 + 2



---

## 拆除或安装 CPU 模块

拆除或安装 CPU 模块之前，请阅读 《Ultra Enterprise 450 服务器用户指南》中的“关于 CPU 模块”一节。



---

**警告** – 安装任何 CPU 模块之前，请阅读本指南第 zh-6 页中的“设置逻辑主板跳线”一节，并验证对于正在安装的 CPU 模块的速度而言，跳线设置是否正确。如果逻辑主板时钟模式跳线设置不正确，会造成严重的系统损坏。

---

如果需要知道系统的功耗，请阅读本指南第 zh-5 页中的“系统功率需求工作单”一节，然后查阅 《Ultra Enterprise 450 服务器用户指南》中的“如何确定系统功率需求”一节。

480 MHz CPU 模块要求使用导气片以便散热。此导气片安装在 501-5673 逻辑主板上。要安装 CPU 模块时必须先拆除导气片，并在重新启动系统前安装导气片。有关拆除和安装导气片的操作指令，请阅读第 zh-8 页中的“拆除和安装 CPU 导气片”。

要从 Sun Enterprise 450 服务器中拆除或安装 CPU 模块，按照 《Ultra Enterprise 450 服务器用户指南》中“如何拆除 CPU 模块”和“如何安装 CPU 模块”中的指令进行。

如果安装了空阻片，在顶部 CPU 插槽 (CPU-A1) 中安装第四块 CPU 模块之前，要拆除安装在连接器 (J0101) 上的空阻片。抓住空阻片前端的柄，并将它从 CPU 插槽中取出。

---

# 拆除和安装 CPU 导气片

导气片安装在所有的 501-5673 逻辑主板上。以下各节讲述了如何拆除和安装 CPU 导气片。



---

**警告** – 导气片对于系统的冷却制冷至关重要。没有安装导气片，不要启动系统。

---

## 如何拆除 CPU 导气片

在拆除或安装 CPU 模块之前，必须拆除导气片。



---

**警告** – 此过程必须由经过培训的合格服务维修供应商来完成。拆除任何外部板以访问此设备的人员必须遵循所有安全预防措施并遵守技术等级要求、鉴定以及所有适用的本地和国家法律。

---

## 开始之前

完成《*Ultra Enterprise 450 服务器用户指南*》中所述的任务：

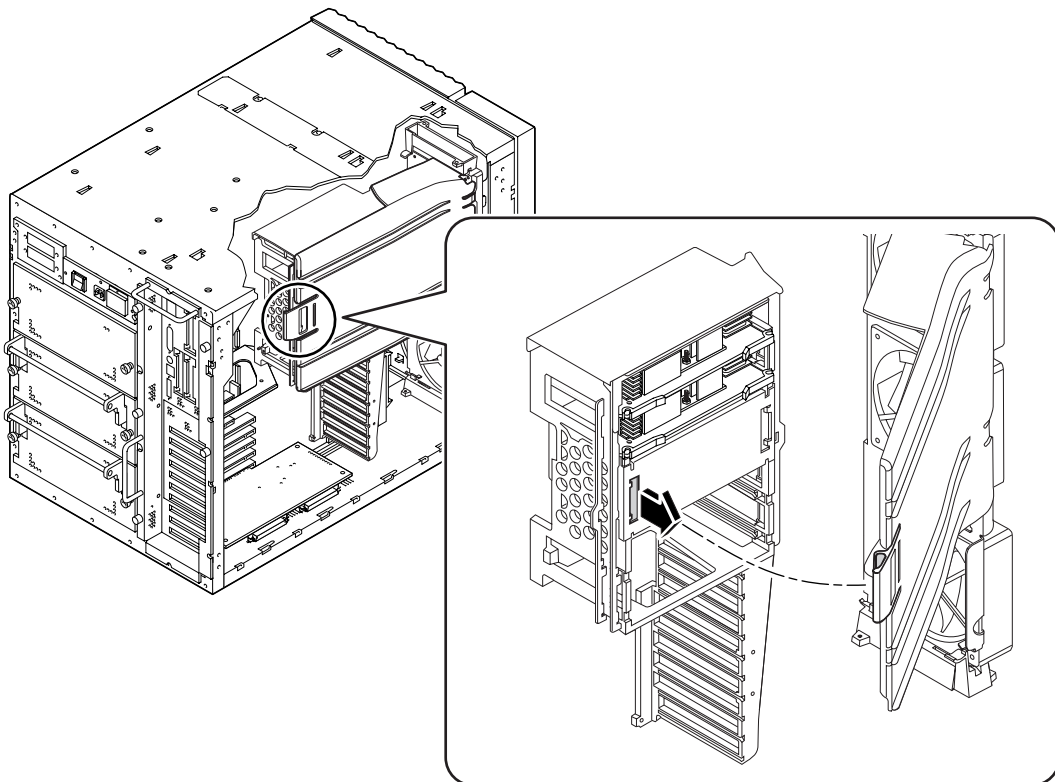
- “如何切断系统电源”
- “如何拆除左面板”
- “如何避免静电释放”

## 如何做

要拆除 CPU 导气片，可执行以下操作：

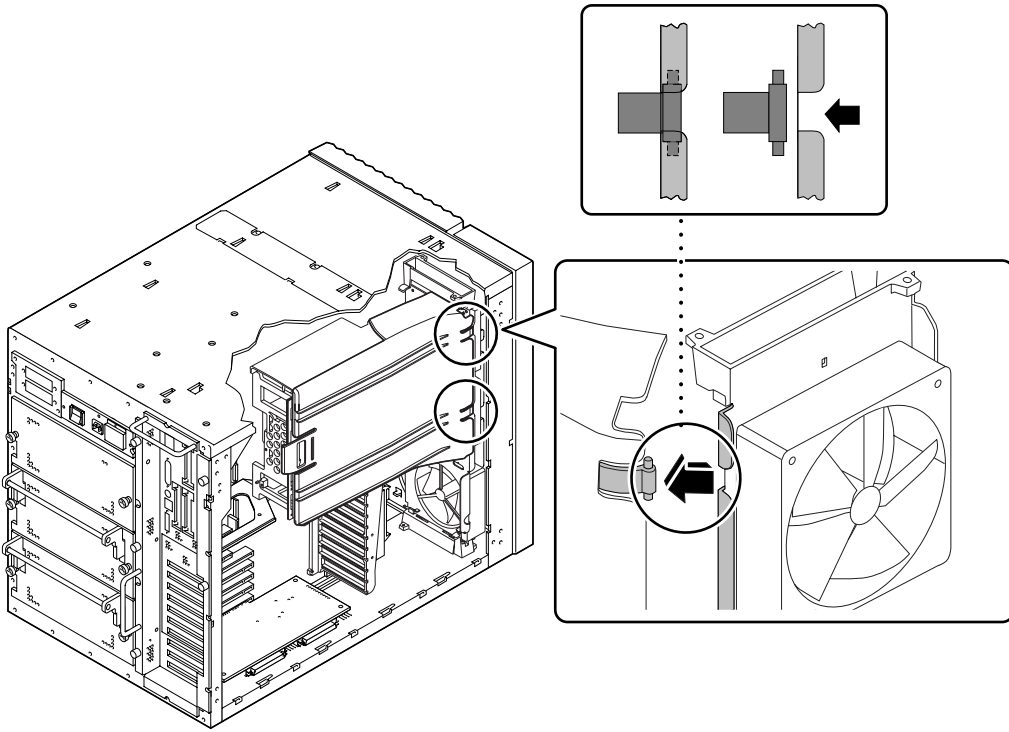
1. 小心将左侧插销向您的方向拉并将导气片拉出。

导气片插销应从逻辑主板 Y 型托架上解开。



## 2. 将导气片接头从 CPU 风扇架的插槽上卸下。

将导气片滑向底板的前方以将其从 CPU 风扇架的插槽上卸下。



## 下一步

有关拆除或安装 CPU 模块的指示，请参见《Ultra Enterprise 450 服务器用户指南》。

要安装 CPU 导气片，可执行以下操作：

- “如何安装 CPU 导气片”，第 zh-11 页

# 如何安装 CPU 导气片



---

**警告** – 导气片对于系统的冷却是至关重要的。没有安装导气片，不要启动系统。

---



---

**警告** – 此过程必须由经过培训的合格服务维修供应商来完成。拆除任何外部板以访问此设备的人员必须遵循所有安全预防措施并遵守技术等级要求、鉴定以及所有适用的本地和国家法律。

---

## 开始之前

完成 《*Ultra Enterprise 450 服务器用户指南*》中所述的任务：

- “如何切断系统电源”
- “如何拆除左面板”
- “如何避免静电释放”

此外，还应完成以下任务：

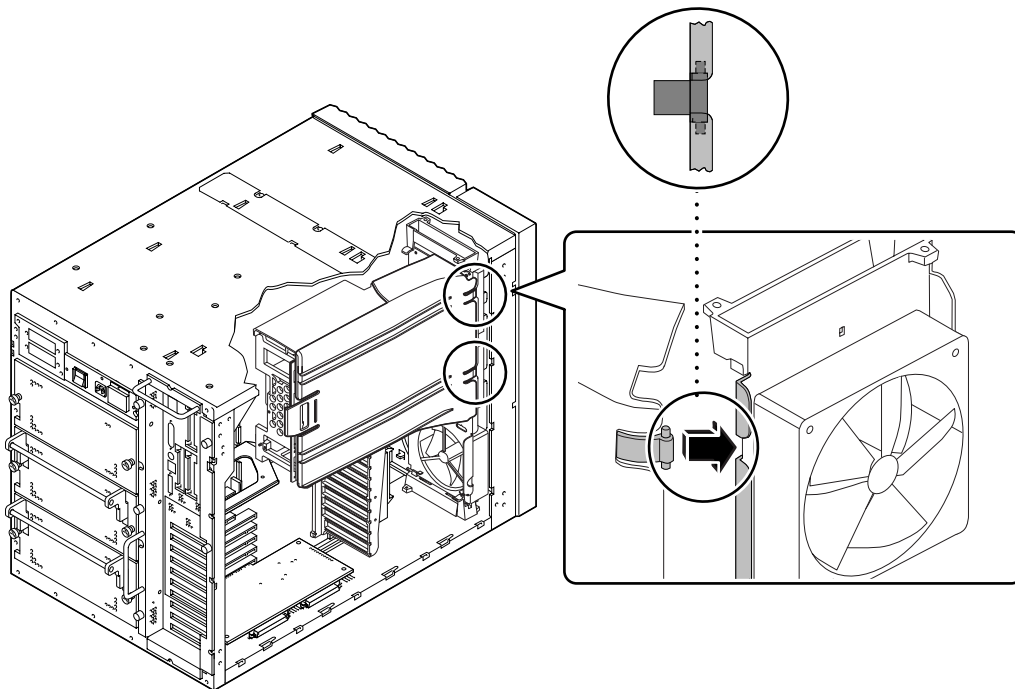
- 本文档第 zh-8 页中的 “如何拆除 CPU 导气片”，

## 如何做

要安装 CPU 导气片，可执行以下操作：

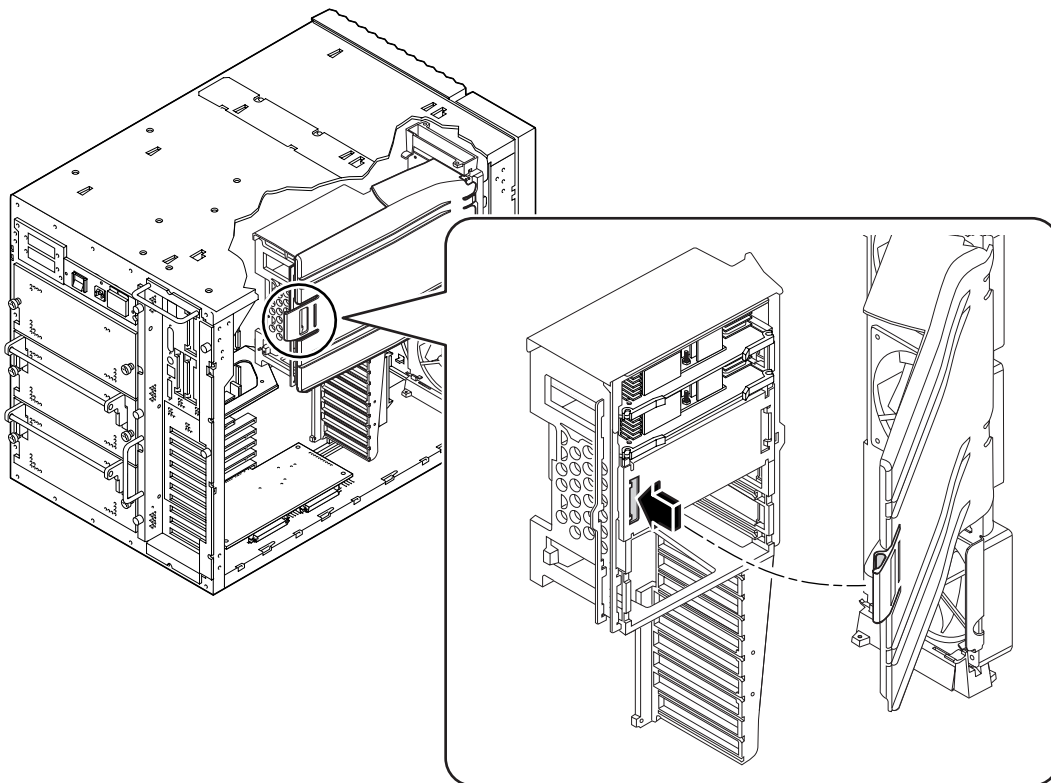
1. 将导气片接头钩在 CPU 风扇架插槽的里面。

导气片必须被放在一角以便有足够的空间将接头钩在 CPU 风扇架的插槽的里面。



2. 将导气片滑向底板的后部以保证导气片接头与 CPU 风扇架连接稳固。

3. 将导气片的插销转向逻辑主板的 Y 型托架，卡住插头。



## 下一步

有关重新装配和重新启动系统的指令，请参见《Ultra Enterprise 450 服务器用户指南》。





# Sun Enterprise 450 伺服器 480-MHz CPU 模組指南

---

請將本指南和《*Ultra Enterprise 450 伺服器所有者指南*》一起使用，以便配置和安裝新的 UltraSPARC™ II 480-MHz CPU 模組。本指南中的資訊是針對 Sun Enterprise™ 450 伺服器隨附之《*Ultra Enterprise 450 伺服器所有者指南*》的補充文件。

本指南包括的主題如下：

- 第 zh\_TW-1 頁中的「驗證硬體、韌體及軟體支援」
- 第 zh\_TW-4 頁中的「辨識 UltraSPARC II CPU 模組」
- 第 zh\_TW-5 頁中的「配置 CPU 模組」
- 第 zh\_TW-6 頁中的「設定主邏輯板跳線」
- 第 zh\_TW-7 頁中的「移除或安裝 CPU 模組」
- 第 zh\_TW-8 頁中的「移除與置換 CPU 空氣導引 (Air Guide)」

---

## 驗證硬體、韌體及軟體支援

如果正在伺服器中安裝 UltraSPARC II 480-MHz CPU 模組，除了使用《*Ultra Enterprise 450 伺服器所有者指南*》之外，仍須使用本指南中的資訊作為補充。

如果系統已經安裝了 480-MHz 模組，而您要在系統中新增模組，請移到第 zh\_TW-7 頁中的「移除或安裝 CPU 模組」一節。

如果您購買了升級版，準備用 UltraSPARC II 400-MHz CPU 模組取代 UltraSPARC II 250-、300- 或 400-MHz CPU 模組，則您必須驗證目前伺服器上的主邏輯板是否支援此類更快速的模組，而且已安裝 Sun Enterprise 450 OpenBoot™ 韌體影像正確的修訂版。

若您欲升級 CPU 模組速度並且是在較舊的基座中安裝 CPU，您必須驗證伺服器是否支援 480-MHz CPU 模組，以及 Sun Enterprise 450 OpenBoot 韌體修訂版是否正確。

## 如何驗證支援 480-MHz CPU 模組

要驗證伺服器是否支援 480-MHz CPU 模組，您可以使用 UNIX<sup>®</sup> 指令，或者在 ok 提示符號下進行驗證。

從控制台或從指令視窗：

- 在 UNIX 提示符號下鍵入下列指令：

```
% /usr/sbin/prtconf -pv | grep "501-5673"
```

如果傳回的值為 501-5673，則請移至本指南第 zh\_TW-4 頁中的「辨識 UltraSPARC II CPU 模組」一節。

如果未傳回任何值，則主機板的零件編號不是 501-5673。您不能在目前的主邏輯板上安裝新的 UltraSPARC II 480-MHz CPU 模組。關於訂購主機板升級事宜，請與 Sun<sup>™</sup> 銷售代表聯絡。請依照《Sun Enterprise 450 Server Board Upgrade Guide》中的主機板及 CPU 模組安裝說明進行安裝。

如果顯示 ok 提示符號：

1. 鍵入以下指令：

```
ok cd /
```

2. 鍵入以下指令以取得與系統相關的資料清單：

```
ok .prp
```

檢查列示的輸出資料以取得 model 屬性。如果主機板的零件編號不是 501-5673，或者未列示零件編號，則您就不能安裝新的 UltraSPARC II 480-MHz CPU 模組。關於訂購主機板升級事宜，請與 Sun 銷售代表聯絡。請依照《Sun Enterprise 450 Server Board Upgrade Guide》中的主機板及 CPU 模組安裝說明進行安裝。

如果主機板的編號為 501-5673，請繼續下一節「如何辨識 OpenBoot 韌體影像修訂版」。

## 如何辨識 OpenBoot 韌體影像修訂版

要驗證伺服器是否支援 480-MHz CPU 模組，您可以使用 UNIX 指令，或者在 ok 提示符號下進行驗證。

從 UNIX 控制台或從指令視窗：

- 在 UNIX 提示符號下鍵入下列指令：

```
% /usr/sbin/prtconf -v | grep OBP
```

從 ok 提示符號下：

- 在 ok 提示符號下鍵入下列指令：

```
ok .version
```

若傳回的版本為 3.18 或更高的相容版本，則韌體將能支援此更快速的模組。關於詳細資訊，請參閱第 zh\_TW-2 頁的「如何驗證支援 480-MHz CPU 模組」。若傳回的版本低於 3.18，您必須快閃更新 OpenBoot™ 韌體。

請至位於下列 URL 的 SunSolve™ Online 網站 <http://sunsolve.Sun.COM> 以取得關於如何將系統韌體快閃更新的資訊。

若要下載快閃更新，請登入 SunSolve Online 網頁。按一下“Patches”，進入下一頁後，按一下“Find Patch”，搜尋編號 106503 的增補程式，然後依照螢幕上的說明進行下載。

## 如何辨識系統軟體要求

Sun Enterprise 450 伺服器要求 Solaris 2.5.1 Hardware : 11/97、Solaris 2.6 Hardware : 3/98、Solaris 7、Solaris 8 或後續相容的 Solaris 版次。要驗證 Sun Enterprise 450 伺服器上是否已安裝了適當版本的作業環境，請檢查 /etc/release 檔。此檔案應包含（例如）“Solaris 2.5.1 Hardware : 11/97” 的文字或是應該辨識後續相容的 Solaris 版次。

關於軟體相容性的詳細資訊，請參閱 Sun 的出版品《*Installing Solaris Software for Selected Hardware*》(806-4005)，其隨附於 Operating Environment Installation CD。

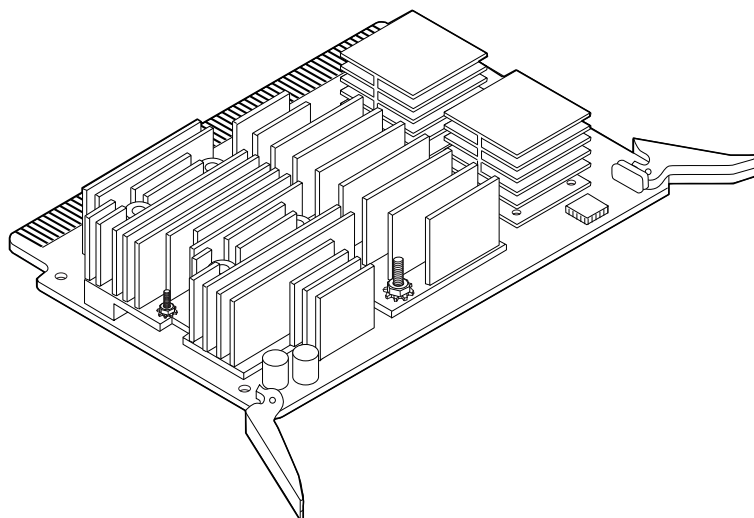
關於 Solaris 軟體版次所需的所有增補程式，都可以在下列 URL 的 SunSolve Online 網站上找到：

<http://sunsolve.Sun.COM/>

---

## 辨識 UltraSPARC II CPU 模組

Sun Enterprise 450 伺服器支援多達四個 250-MHz、四個 300-MHz、四個 400-MHz 或四個 480-MHz UltraSPARC II CPU 模組。下圖顯示新型無護罩的 480-MHz UltraSPARC II CPU 模組（有 8 MB 的內建快取記憶體）。



安裝 CPU 模組之前，驗證每塊新的模組是 Sun Enterprise 450 伺服器的下列 UltraSPARC II 模組型號之一。下表辨識出 CPU 模組速度。

CPU 模組速度 (MHz)	零件號
250-MHz UltraSPARC II	501-4857 或 501-4278
300-MHz UltraSPARC II	501-4849 或 501-4196
400-MHz UltraSPARC II	501-5239 或 501-5446
480-MHz UltraSPARC II	501-5729

---

## 配置 CPU 模組

在配置 CPU 模組之前，確定您的系統是否支援新配置的電源需求。請參閱本指南第 zh\_TW-5 頁中的「系統電源需求工作單」，並參閱《Ultra Enterprise 450 伺服器所有者指南》中的「如何判定系統電源需求」一節。



---

**警告** – 系統中安裝的所有 CPU 模組，必須按相同的時脈速度操作。

---

按照《Ultra Enterprise 450 伺服器所有者指南》中「關於 CPU 模組」一節的規則配置伺服器中的 UltraSPARC II CPU 模組。

如果系統有兩個電源供應器，就不需要多餘的電源供應器，請按照下一節「移除或安裝 CPU 模組」中的說明進行。

## 系統電源需求工作單

下列資訊是對《Ultra Enterprise 450 伺服器所有者指南》中「系統電源需求工作單」一節的補充。如果您正在安裝下列任何元件，請使用下表計算您所需的電源需求：

- 附有 8 MB Ecache 的 480-MHz CPU 模組
- 附有 4 MB Ecache 的 400-MHz CPU 模組
- SunCD™ 32 CD-ROM
- DVD ROM
- 18 GB 的硬碟機
- 36 GB 的硬碟機
- DDS4 磁帶機

行號	選件	數量	直流 +3.3 伏 安培數	總安培數@ (電壓 3.3 伏)	直流 +5 伏 安培數	總安培數@ (電壓 5 伏)	直流 +12 伏 安培數	總安培數@ (電壓 12 伏)
CPU 選件								
	480-MHz CPU (附有 8 MB Ecache 和 DC-to-DC 轉換器)		7.5		6.7			
	400-MHz CPU (附有 4 MB Ecache 和 DC-to-DC 轉換器)		5.0		5.6			
內部儲存裝置選件								
	SunCD 32 CD-ROM				0.55		0.61	
	DVD ROM				0.42		0.51	
	18 GB 硬碟機				0.8		0.5	
	36 GB 硬碟機				0.8		0.5	
	DDS4 磁帶機				0.9		0.5	

## 設定主邏輯板跳線

下列資訊將取代《Ultra Enterprise 450 伺服器所有者指南》中「關於時脈模式選擇跳線」一節的資訊。與該節中的表格不同的是：新的 Sun Enterprise 450 伺服器主邏輯板 (501-5673) 使用的時脈模式選擇跳線 J2701 和 J2702。

在位址 J2701 和 J2702 處設定時脈模式跳線器以與 UltraSPARC II CPU 模組的速度相符。啓動系統之前，驗證跳線設定是否正確。

時脈速度	J2701	J2702
250-MHz	1 + 2	2 + 3
300-MHz	1 + 2	2 + 3
400-MHz	2 + 3	2 + 3
480-MHz	2 + 3	1 + 2

---

## 移除或安裝 CPU 模組

移除或安裝 CPU 模組之前，請閱讀《Ultra Enterprise 450 伺服器所有者指南》中的「關於 CPU 模組」一節。



---

**警告** – 安裝任何 CPU 模組之前，請先閱讀本指南第 zh\_TW-6 頁中的「設定主邏輯板跳線」一節，並驗證對於正在安裝的 CPU 模組的速度而言，其跳線設定是否正確。如果主邏輯板時脈模式跳線設定不正確，可能會對系統造成嚴重的損壞。

---

如果需要知道系統的耗電率，閱讀本指南第 zh\_TW-5 頁中的「系統電源需求工作單」一節，然後查閱《Ultra Enterprise 450 伺服器所有者指南》中的「如何判定系統電源需求」一節。

480-MHz CPU 模組需要一個作為徹底冷卻之用的空氣導引 (air guide)。此空氣導引安裝於 501-5673 主邏輯板。您必須移除此空氣導引以存取 CPU 模組，並且在重新啟動系統之前置換空氣導引。關於移除與置換空氣導引的詳細資訊，請參閱第 zh\_TW-8 頁的「移除與置換 CPU 空氣導引 (Air Guide)」。

要在 Sun Enterprise 450 伺服器中移除或安裝 CPU 模組，請按照《Ultra Enterprise 450 伺服器所有者指南》中「如何移除 CPU 模組」及「如何安裝 CPU 模組」的說明進行。

在頂部 CPU 插槽 (CPU-A1) 中安裝第四塊 CPU 模組之前，如果在連接器上已安裝了空阻片，請移除此空阻片。要移除安裝在連接器 (J0101) 上的空阻片，抓住空阻片前端的柄，將它從 CPU 插槽中拉出。

---

## 移除與置換 CPU 空氣導引 (Air Guide)

空氣導引安裝於所有 501-5673 主邏輯板。下列各節說明如何移除與置換 CPU 空氣導引。



---

**警告** – 空氣導引是用來徹底使系統冷卻的基本裝備。請勿在尚未安裝空氣導引之前啟動系統。

---

### 如何移除 CPU 空氣導引

您必須在移除或安裝 CPU 模組之前，先移除空氣導引。



---

**警告** – 本項程序應該由受過合格服務訓練的維修供應者來操作。移除任何外部面板以操作裝備的人員，應該要注意所有的安全預防措施並遵從技術方面的要求、保證及所有適用的當地及國際法規。

---

### 準備工作

根據《Ultra Enterprise 450 伺服器所有者指南》的說明，完成下列作業：

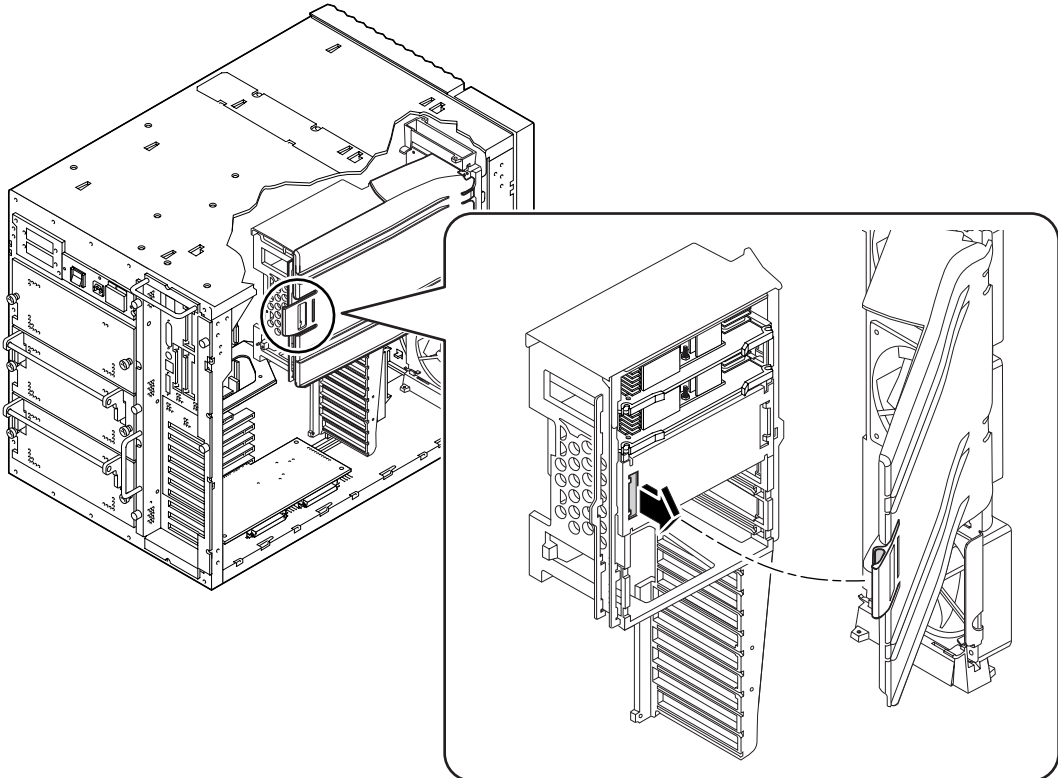
- 「如何關閉系統電源」
- 「如何移除左側面板」
- 「如何避免靜電放電」



## 如何做

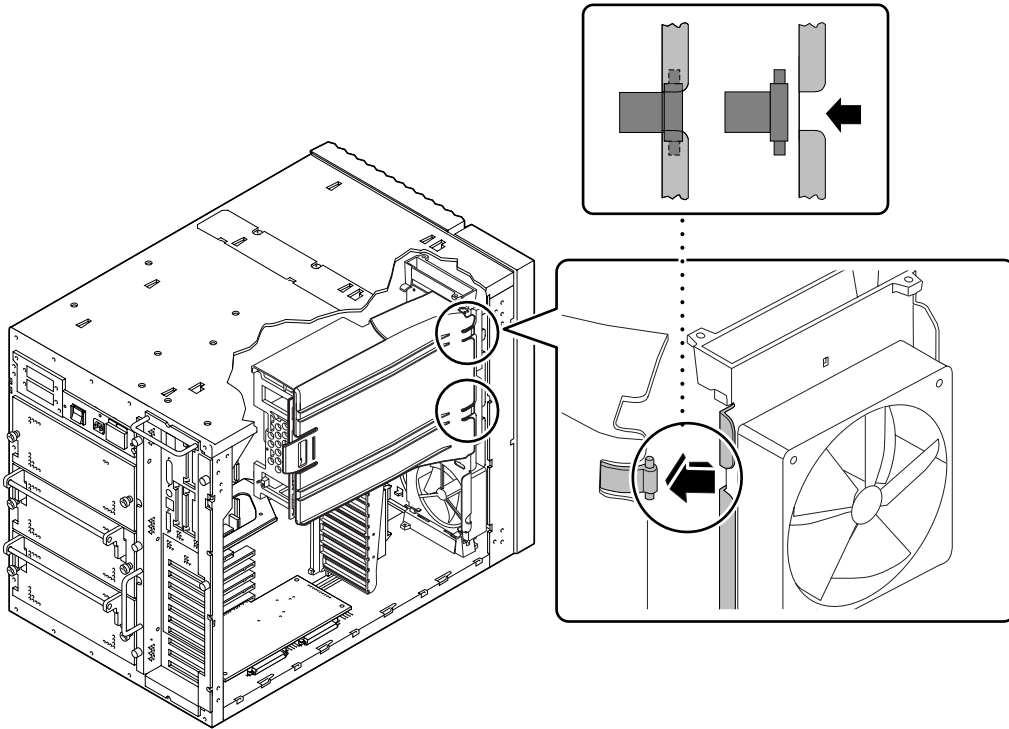
要移除 CPU 空氣導引，執行下列動作：

1. 小心地拉住左邊的栓子使它朝向您並將空氣導引轉出來。  
空氣導引的栓子應該從主邏輯板 Y 托架 (Y-bracket) 上勾住的地方鬆開。



2. 將空氣導引的卡榫從 CPU 風扇托盤裝配中取下。

將空氣導引朝基座前方滑出來，使它從 CPU 風扇托盤裝配中鬆開。



## 接下來

請參閱《Ultra Enterprise 450 伺服器所有者指南》以取得移除或安裝 CPU 模組的說明。

要置換 CPU 空氣導引，請完成以下作業：

- 第 zh\_TW-11 頁的「如何置換 CPU 空氣導引」

## 如何置換 CPU 空氣導引



---

**警告** – 空氣導引是用來徹底使系統冷卻的基本裝備。請勿在尚未安裝空氣導引之前執行系統。

---



---

**警告** – 本項程序應該由受過合格服務訓練的維修供應者來操作。移除任何外部面板以操作裝備的人員，應該要注意所有的安全預防措施並遵從技術方面的要求、保證及所有適用的當地及國際法規。

---

### 準備工作

根據《*Ultra Enterprise 450 伺服器所有者指南*》的說明，完成下列作業：

- 「如何關閉系統電源」
- 「如何移除左側面板」
- 「如何避免靜電放電」

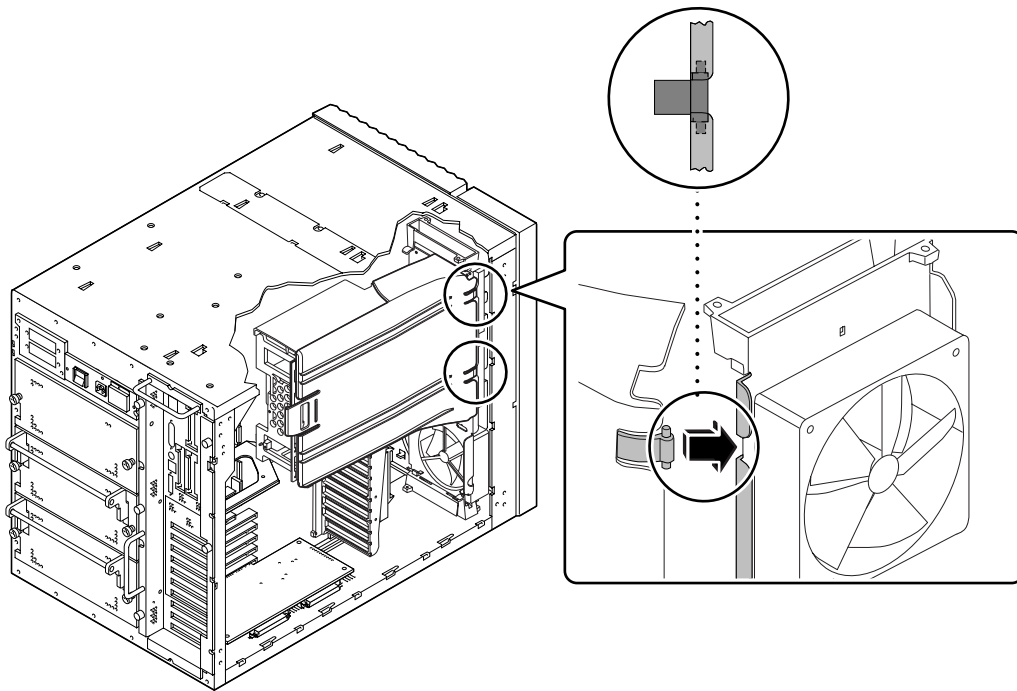
此外，請完成以下作業：

- 本文件第 zh\_TW-8 頁的「如何移除 CPU 空氣導引」

## 如何做

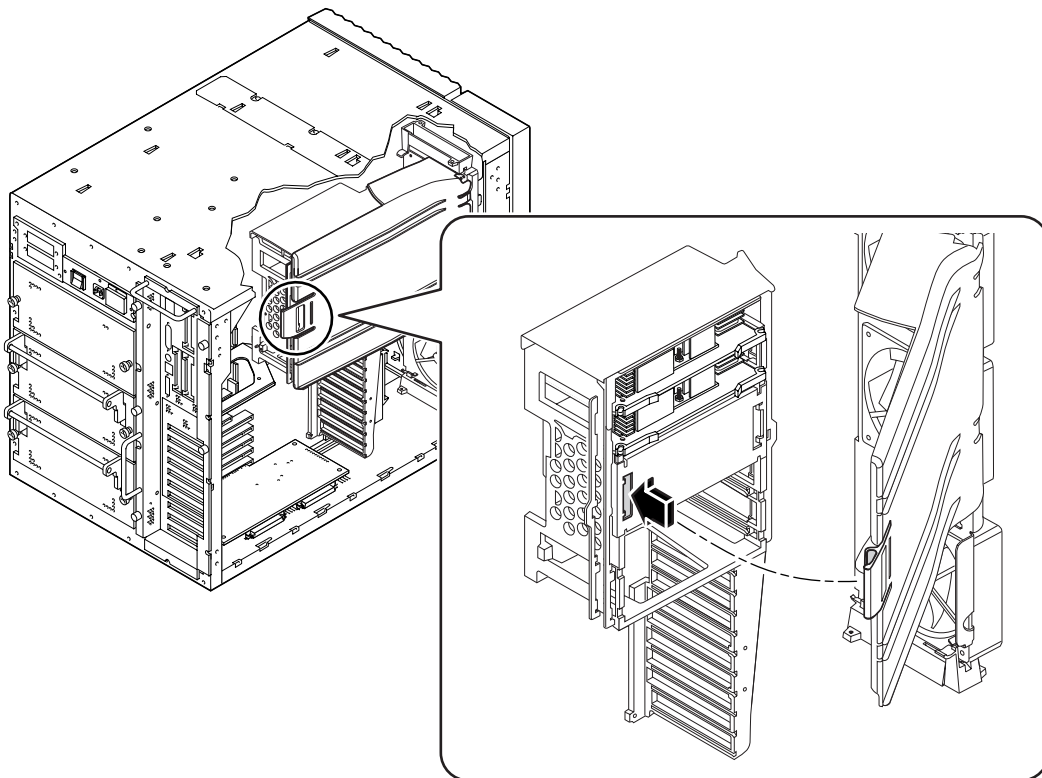
要置換 CPU 空氣導引，執行下列動作：

1. 將空氣導引的卡榫勾在 CPU 風扇托盤裝配中的插槽下。  
空氣導引應該保持一定的角度以提供足夠的空間使卡榫能勾在 CPU 風扇托盤裝配中的插槽下。



2. 將空氣導引朝基座後方滑進去使它的勾環在 CPU 風扇托盤裝配上掛好。

3. 將空氣導引轉進主邏輯板上的 Y 托架，並將栓子卡緊。



## 接下來

請參閱《*Ultra Enterprise 450 伺服器所有者指南*》以取得重新裝配及重新啓動系統的說明。



本製品およびそれに関連する文書は著作権法により保護されており、その使用、複製、頒布および逆コンパイルを制限するライセンスのもとにおいて頒布されます。サン・マイクロシステムズ株式会社の書面による事前の許可なく、本製品および関連する文書のいかなる部分も、いかなる方法によっても複製することが禁じられます。

本製品の一部は、カリフォルニア大学からライセンスされている Berkeley BSD システムに基づいていることがあります。UNIX は、X/Open Company Limited が独占的にライセンスしている米国ならびに他の国における登録商標です。本製品のフォント技術を含む第三者のソフトウェアは、著作権法により保護されており、提供者からライセンスを受けているものです。

RESTRICTED RIGHTS: Use, duplication, or disclosure by the U.S. Government is subject to restrictions of FAR 52.227-14(g)(2)(6/87) and FAR 52.227-19(6/87), or DFAR 252.227-7015(b)(6/95) and DFAR 227.7202-3(a).

本製品は、株式会社モリサワからライセンス供与されたリュウミン L-KL (Ryumin-Light) および中ゴシック BBB (GothicBBB-Medium) のフォント・データを含んでいます。

本製品に含まれる HG 明朝 L と HG ゴシック B は、株式会社リコーがリコービマジクス株式会社からライセンス供与されたタイプフェースマスタをもとに作成されたものです。平成明朝体 W3 は、株式会社リコーが財団法人 日本規格協会 文字フォント開発・普及センターからライセンス供与されたタイプフェースマスタをもとに作成されたものです。また、HG 明朝 L と HG ゴシック B の補助漢字部分は、平成明朝体 W3 の補助漢字を使用しています。なお、フォントとして無断複製することは禁止されています。

Sun, Sun Microsystems, Solaris のロゴ、AnswerBook2, doc.sun.com, Sun Enterprise, UltraSPARC, SunCD は、米国およびその他の国における米国 Sun Microsystems, Inc. (以下、米国 Sun Microsystems 社とします) の商標もしくは登録商標です。

サン・ロゴマークおよび Solaris は、米国 Sun Microsystems 社の登録商標です。

すべての SPARC 商標は、米国 SPARC International, Inc. のライセンスを受けて使用している同社の米国およびその他の国における商標または登録商標です。SPARC 商標が付いた製品は、米国 Sun Microsystems 社が開発したアーキテクチャーに基づくものです。

Java およびその他の Java を含む商標は、米国 Sun Microsystems 社の商標であり、同社の Java ブランドの技術を使用した製品を指します。

OPENLOOK, OpenBoot, JLE は、サン・マイクロシステムズ株式会社の登録商標です。

ATOK は、株式会社ジャストシステムの登録商標です。ATOK8 は、株式会社ジャストシステムの著作物であり、ATOK8 にかかる著作権その他の権利は、すべて株式会社ジャストシステムに帰属します。ATOK Server/ATOK12 は、株式会社ジャストシステムの著作物であり、ATOK Server/ATOK12 にかかる著作権その他の権利は、株式会社ジャストシステムおよび各権利者に帰属します。

Netscape, Navigator は、米国 Netscape Communications Corporation の商標です。Netscape Communicator については、以下をご覧ください。Copyright 1995 Netscape Communications Corporation. All rights reserved.

本書で参照されている製品やサービスに関しては、該当する会社または組織に直接お問い合わせください。

OPEN LOOK および Sun Graphical User Interface は、米国 Sun Microsystems 社が自社のユーザーおよびライセンス実施権者向けに開発しました。米国 Sun Microsystems 社は、コンピュータ産業用のビジュアルまたはグラフィカル・ユーザーインターフェースの概念の研究開発における米国 Xerox 社の先駆者としての成果を認めるものです。米国 Sun Microsystems 社は米国 Xerox 社から Xerox Graphical User Interface の非独占的ライセンスを取得しており、このライセンスは米国 Sun Microsystems 社のライセンス実施権者にも適用されます。

本書には、技術的な誤りまたは誤植のある可能性があります。また、本書に記載された情報には、定期的に変更が行われ、かかる変更は本書の最新版に反映されます。さらに、米国サンまたは日本サンは、本書に記載された製品またはプログラムを、予告なく改良または変更することがあります。

本製品が、外国為替および外国貿易管理法 (外為法) に定められる戦略物資等 (貨物または役務) に該当する場合、本製品を輸出または日本国外へ持ち出す際には、サン・マイクロシステムズ株式会社の書面による承諾を得ることのほか、外為法および関連法規に基づく輸出手続き、また場合によっては、米国商務省または米国所轄官庁の許可を得ることが必要です。

© 2000 by Sun Microsystems, Inc. 901 SAN ANTONIO ROAD, PALO ALTO CA 94303-4900. All rights reserved.

Copyright 2000 Sun Microsystems, Inc., 901 San Antonio Road • Palo Alto, CA 94303-4900 USA. 모든 권리는 저작권자의 소유입니다.

본 제품 및 설명서는 저작권에 의해 보호되며 사용, 복사, 배포, 변경을 제한하는 승인하에 배포됩니다. 본 제품 및 설명서의 어떤 부분도 Sun사와 스승인자의 사전 서면 승인없이 어떠한 형태나 방법으로 재생산될 수 없습니다. 글꼴 기술을 포함한 타사의 소프트웨어도 저작권에 의해 보호되며 Sun사의 공급업체에 의해 승인되었습니다.

이 제품의 일부는 캘리포니아 대학에서 승인된 Berkeley BSD 시스템을 토대로 합니다. UNIX는 미국 및 기타 국가에서 X/Open Company, Ltd.에 독점권이 부여된 등록 상표입니다. Netscape Communicator™에 대하여 다음 사항을 적용: Copyright 1995 Netscape Communications Corporation. 모든 권리는 저작권자의 소유입니다.

Sun, Sun Microsystems, the Sun logo, AnswerBook2, docs.sun.com, Sun Enterprise, SunCD 및 Solaris는 미국 및 기타 국가에서 Sun Microsystems, Inc.의 상표, 등록 상표 또는 서비스 마크입니다. 모든 SPARC 상표는 SPARC International, Inc.의 승인하에 사용되는 상표 또는 등록 상표입니다. SPARC 상표가 있는 제품은 Sun Microsystems, Inc.가 개발한 구조를 기반으로 합니다.

OPEN LOOK과 Sun™ Graphical User Interface는 Sun Microsystems, Inc.가 사용자 및 승인을 위해 개발한 것입니다. Sun사는 Xerox사의 컴퓨터 산업 개발을 위한 비주얼 및 그래픽 사용자 인터페이스 개념 연구와 개발에 선구적인 업적을 치하합니다. Sun사는 Xerox사로부터 Xerox Graphical User Interface에 대한 비독점권을 부여 받았으며 이 권한은 OPEN LOOK GUI를 구현하는 Sun사의 승인자에게도 해당하며 Sun사의 서면 허가 계약에 준합니다.

출판물은 "사실"만을 제공하며 본 제품의 시장성, 합목적성, 특허권 및 비침해에 대한 묵시적인 보증을 비롯한 모든 명시적, 묵시적인 조건 제시, 책임이나 보증을 하지 않습니다. 단, 이러한 권리가 법적으로 무효가 되는 경우는 예외로 합니다.



Copyright 2000 Sun Microsystems, Inc., 901 San Antonio Road • Palo Alto, CA 94303-4900 USA. 版权所有。

本产品或文档受版权保护，且按照限制其使用、复制、分发和反编译的许可证进行分发。未经 Sun 及其许可证颁发机构的书面授权，不得以任何方式、任何形式复制本产品或本文档的任何部分。第三方软件，包括字体技术，由 Sun 供应商提供许可和版权。

本产品的某些部分从 Berkeley BSD 系统派生而来，经 University of California 许可授权。UNIX 是在美国和其它国家注册的商标，经 X/Open Company, Ltd. 独家许可授权。下列声明适用于 Netscape Communicator™：Copyright 1995 Netscape Communications Corporation. 版权所有。

Sun、Sun Microsystems、Sun 徽标、AnswerBook2、docs.sun.com、Sun Enterprise、SunCD 和 Solaris 是 Sun Microsystems, Inc. 在美国和其它国家的商标、注册商标或服务标记。所有的 SPARC 商标都按许可证使用，是 SPARC International, Inc. 在美国和其它国家的商标或注册商标。带有 SPARC 商标的产品均基于由 Sun Microsystems, Inc. 开发的体系结构。

OPEN LOOK 和 Sun™ 图形用户界面是 Sun Microsystems, Inc. 为其用户和许可证持有人开发的。Sun 承认 Xerox 在为计算机行业研究和开发可视或图形用户界面所作出的先行努力。Sun 以非独占方式从 Xerox 获得 Xerox 图形用户界面的许可证，该许可证涵盖实施 OPEN LOOK GUI 且遵守 Sun 的书面许可协议的许可证持有人。

本资料按“现有形式”提供，不承担明确或隐含的条件、陈述和保证，包括对特定目的的商业活动和适用性或非侵害性的任何隐含保证，除非这种不承担责任的声明是不合法的。

Copyright 2000 Sun Microsystems, Inc., 901 San Antonio Road • Palo Alto, CA 94303-4900 USA. 版權所有。

本產品或文件受版權保護，且按照限制其使用、複製、分發和反編譯的授權許可進行分發。未經Sun及其授權許可頒發機構的書面授權，不得以任何方式、任何形式複製本產品或本文件的任何部分。協力廠商軟體，包括字型技術，由Sun供應商提供許可和版權。

本產品的某些部分從 Berkeley BSD 系統衍生而來，經 University of California 許可授權。UNIX 是在美國和其它國家註冊的商標，經 X/Open Company, Ltd. 獨家許可授權。以下聲明適用於 Netscape Communicator™： Copyright 1995 Netscape Communications Corporation. 版權所有。

Sun、Sun Microsystems、Sun 標誌、AnswerBook2、docs.sun.com、Sun Enterprise、SunCD 以及 Solaris 是 Sun Microsystems, Inc. 在美國與其它國家的商標、註冊商標或服務標記。所有的 SPARC 商標都按授權許可使用，是 SPARC International, Inc. 在美國和其它國家的商標或註冊商標。具有 SPARC 商標的產品都基於 Sun Microsystems, Inc. 開發的架構。

OPEN LOOK 和 Sun™ 圖形使用者界面是 Sun Microsystems, Inc. 為其使用者和授權許可持有人開發的。Sun 承認 Xerox 在為電腦行業研究和開發可視或圖形使用者界面方面所作出的先行努力。Sun 以非獨佔方式從 Xerox 獲得 Xerox 圖形使用者界面的授權許可，該授權許可涵蓋實施 OPEN LOOK GUI 且遵守 Sun 的書面許可協議的授權許可持有人。

本資料按「現有形式」提供，不承擔明確或隱含的條件、陳述和保證，包括對特定目的或非侵害性的商業活動和適用性的任何隱含保證，除非這種不承擔責任的聲明是不合法的。