

6. Pull the modules straight out.
7. Label and disconnect all other power cords on the RTU assembly.
8. Remove the four screws holding the RTU assembly to the cabinet.
9. Pull out the RTU assembly and store in an antistatic bag.
There may be some resistance: pull firmly.

Accessing Sun Documentation Online

A broad selection of Sun system documentation is located at the following web site:

<http://www.sun.com/products-n-solutions/hardware/docs>

To locate the most current documentation at this site, select a product category. The documents at that location may include updated information that did not ship with your product, such as product notes, release notes, late-breaking news, or later revisions of manuals.

A complete set of Solaris documentation and many other titles are located at:

<http://docs.sun.com>

Ordering Sun Documentation

Fatbrain.com, an Internet professional bookstore, stocks select product documentation from Sun Microsystems, Inc. For a list of documents and how to order them, visit the Sun Documentation Center on Fatbrain.com at:

<http://www.fatbrain.com/documentation/sun>

Sun Welcomes Your Comments

Sun is interested in improving its documentation and welcomes your comments and suggestions. You can email your comments to Sun at:

docfeedback@sun.com

Please include the part number (806-4717-12) of the document in the subject line of your email.

Sun Fire™ Cabinet Redundant Transfer Unit (RTU) Installation Guide

Copyright 2002 Sun Microsystems, Inc. All rights reserved. Use is subject to license terms. Third-party software, including font technology, is copyrighted and licensed from Sun suppliers. Sun, Sun Microsystems, the Sun logo, AnswerBook2, docs.sun.com, Sun Fire, and Solaris are trademarks, registered trademarks, or service marks of Sun Microsystems, Inc. in the U.S. and other countries. Federal Acquisitions: Commercial Software—Government Users Subject to Standard License Terms and Conditions.

Copyright 2002 Sun Microsystems, Inc. Tous droits réservés. Distribué par des licences qui en restreignent l'utilisation. Le logiciel détenu par des tiers, et qui comprend la technologie relative aux polices de caractères, est protégé par un copyright et licencié par des fournisseurs de Sun. Sun, Sun Microsystems, le logo Sun, AnswerBook2, docs.sun.com, Sun Fire, et Solaris sont des marques de fabrique ou des marques déposées, ou marques de service, de Sun Microsystems, Inc. aux Etats-Unis et dans d'autres pays.



Sun Microsystems, Inc., 4150 Network Circle, Santa Clara, CA 95054 U.S.A.
650 960-1300, Fax 650 969-9131



Redundant Transfer Units (RTUs)

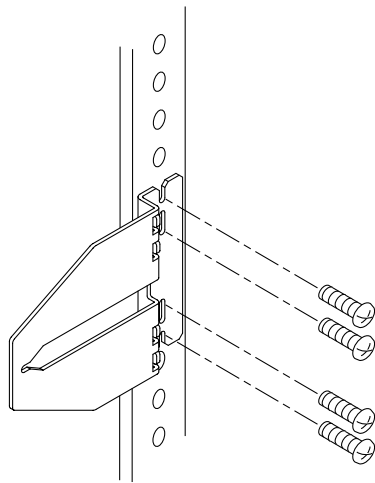
There can be up to two redundant transfer units (RTUs) in a Sun Fire™ cabinet. The location of the units are in the bottom of the cabinet, in the rear and the front.

Inventory

- Left Rail
- Right Rail
- 10-32 screws (12)
- RTU Assembly

Installing the Rails

1. **Attach the right rail to the Sun Fire cabinet:**
 - a. Loosely fit one 10-32 screw in hole number 10 on the right side of the cabinet with the rail oriented inward into the cabinet.
 - b. Slide the rail onto that screw for support, and then install three screws through the remaining rail holes.
 - c. Tighten all four screws to secure the rail to the cabinet.



2. **Install the left rail in the same manner.**

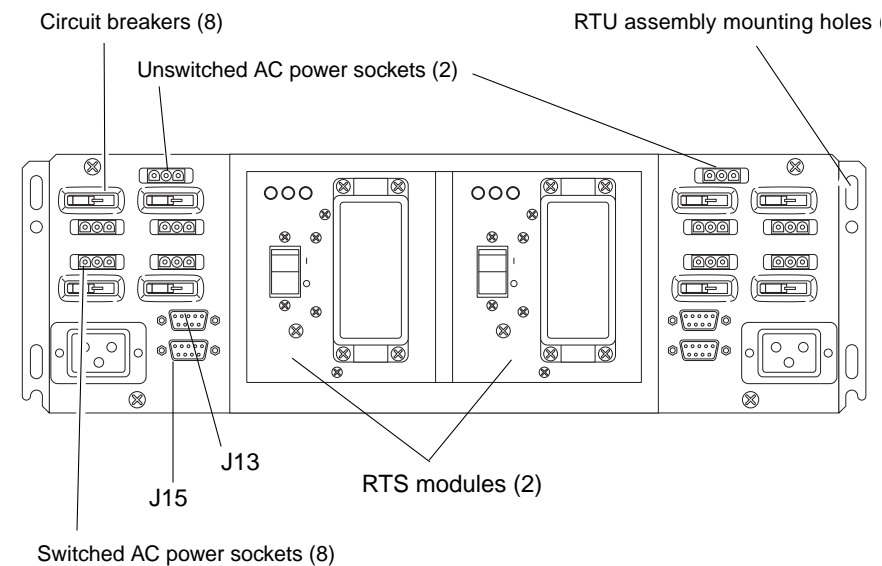
Installing the RTU Assembly

1. **Place the new RTU onto the rails at the lower half of the cabinet and push it firmly into place.**
The assembly is self-aligning.
2. **Secure the RTU assembly to the cabinet with four 10-32 screws.**
3. **Set all circuit breakers to the ON (1) position and the power switch to the OFF (0) position.**
4. **Connect all cabinet mounted AC power cords to the AC power cord sockets.**

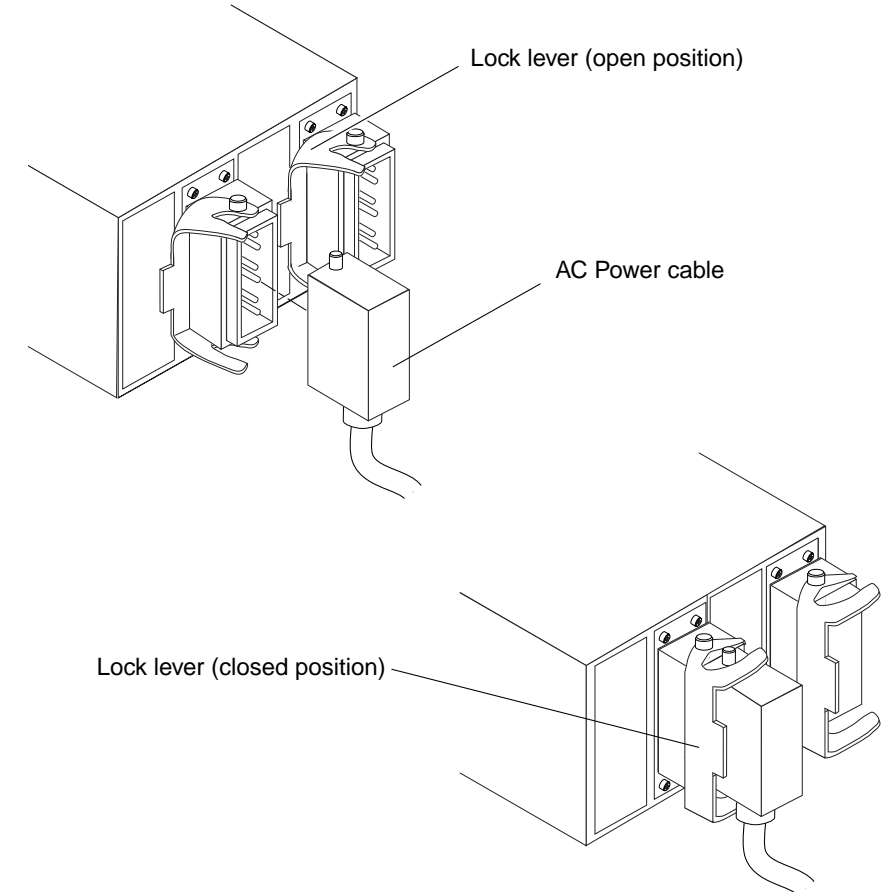


Caution – Make sure that each cabinet fan tray is connected to an unswitched AC power socket. Each unswitched socket is active only if an RTS module closest to the socket is installed. If only one RTS is installed, plug the second cabinet fan tray power cord into a switched power socket.

5. **Connect the FrameManager cables to J13 and J15 .**
The cable is coiled and tied to the cabinet, on the left side, at either the top or the bottom.



6. **Connect the AC power cable(s) and lock the connector with the lock lever.**



7. **Turn the power switch to the ON (1) position.**

Removing the RTU Assembly

If it is necessary to remove the assembly, use the following instructions.

1. **Notify users that the system will be powered off.**
2. **Complete the power off steps using the Sun Fire 6800/4810/4800/3800 Powering the System On and Off Guide that came packaged with this documentation, OR refer to the Sun Fire 6800/4810/4800/3800 Systems Platform Administration Manual for complete powering off procedures.**
3. **Turn off the power switch of each RTS module.**
4. **Unlock the lock lever and remove the power cables from each RTS module.**
5. **Loosen the screw at the bottom of each RTS module.**