



Sun Enterprise™ 450 Server

Product Notes

Remarques sur le produit

Produkthinweise

Notas sobre el producto

Note sul prodotto

Produktinformation

Sun Microsystems, Inc.
901 San Antonio Road
Palo Alto, CA 94303
U.S.A. 650-960-1300

Part No. 806-4665-11
August 2000, [Revision A](#)

[Send comments about this document to: docfeedback@sun.com](mailto:docfeedback@sun.com)

Copyright 2000 Sun Microsystems, Inc., 901 San Antonio Road • Palo Alto, CA 94303-4900 USA. All rights reserved.

This product or document is protected by copyright and distributed under licenses restricting its use, copying, distribution, and decompilation. No part of this product or document may be reproduced in any form by any means without prior written authorization of Sun and its licensors, if any. Third-party software, including font technology, is copyrighted and licensed from Sun suppliers.

Parts of the product may be derived from Berkeley BSD systems, licensed from the University of California. UNIX is a registered trademark in the U.S. and other countries, exclusively licensed through X/Open Company, Ltd. For Netscape Communicator™, the following notice applies: Copyright 1995 Netscape Communications Corporation. All rights reserved.

Sun, Sun Microsystems, the Sun logo, AnswerBook2, docs.sun.com, Sun Enterprise, OpenBoot, SunCD and Solaris are trademarks, registered trademarks, or service marks of Sun Microsystems, Inc. in the U.S. and other countries. All SPARC trademarks are used under license and are trademarks or registered trademarks of SPARC International, Inc. in the U.S. and other countries. Products bearing SPARC trademarks are based upon an architecture developed by Sun Microsystems, Inc.

The OPEN LOOK and Sun™ Graphical User Interface was developed by Sun Microsystems, Inc. for its users and licensees. Sun acknowledges the pioneering efforts of Xerox in researching and developing the concept of visual or graphical user interfaces for the computer industry. Sun holds a non-exclusive license from Xerox to the Xerox Graphical User Interface, which license also covers Sun's licensees who implement OPEN LOOK GUIs and otherwise comply with Sun's written license agreements.

RESTRICTED RIGHTS: Use, duplication, or disclosure by the U.S. Government is subject to restrictions of FAR 52.227-14(g)(2)(6/87) and FAR 52.227-19(6/87), or DFAR 252.227-7015(b)(6/95) and DFAR 227.7202-3(a).

DOCUMENTATION IS PROVIDED "AS IS" AND ALL EXPRESS OR IMPLIED CONDITIONS, REPRESENTATIONS AND WARRANTIES, INCLUDING ANY IMPLIED WARRANTY OF MERCHANTABILITY, FITNESS FOR A PARTICULAR PURPOSE OR NON-INFRINGEMENT, ARE DISCLAIMED, EXCEPT TO THE EXTENT THAT SUCH DISCLAIMERS ARE HELD TO BE LEGALLY INVALID.

Copyright 2000 Sun Microsystems, Inc., 901 San Antonio Road • Palo Alto, CA 94303-4900 Etats-Unis. Tous droits réservés.

Ce produit ou document est protégé par un copyright et distribué avec des licences qui en restreignent l'utilisation, la copie, la distribution, et la décompilation. Aucune partie de ce produit ou document ne peut être reproduite sous aucune forme, par quelque moyen que ce soit, sans l'autorisation préalable et écrite de Sun et de ses bailleurs de licence, s'il y en a. Le logiciel détenu par des tiers, et qui comprend la technologie relative aux polices de caractères, est protégé par un copyright et licencié par des fournisseurs de Sun.

Des parties de ce produit pourront être dérivées des systèmes Berkeley BSD licenciés par l'Université de Californie. UNIX est une marque déposée aux Etats-Unis et dans d'autres pays et licenciée exclusivement par X/Open Company, Ltd. La notice suivante est applicable à Netscape Communicator™: Copyright 1995 Netscape Communications Corporation. Tous droits réservés.

Sun, Sun Microsystems, the Sun logo, AnswerBook2, docs.sun.com, Sun Enterprise, OpenBoot, SunCD et Solaris sont des marques de fabrique ou des marques déposées, ou marques de service, de Sun Microsystems, Inc. aux Etats-Unis et dans d'autres pays. Toutes les marques SPARC sont utilisées sous licence et sont des marques de fabrique ou des marques déposées de SPARC International, Inc. aux Etats-Unis et dans d'autres pays. Les produits portant les marques SPARC sont basés sur une architecture développée par Sun Microsystems, Inc.

L'interface d'utilisation graphique OPEN LOOK et Sun™ a été développée par Sun Microsystems, Inc. pour ses utilisateurs et licenciés. Sun reconnaît les efforts de pionniers de Xerox pour la recherche et le développement du concept des interfaces d'utilisation visuelle ou graphique pour l'industrie de l'informatique. Sun détient une licence non exclusive de Xerox sur l'interface d'utilisation graphique Xerox, cette licence couvrant également les licenciés de Sun qui mettent en place l'interface d'utilisation graphique OPEN LOOK et qui en outre se conforment aux licences écrites de Sun.

CETTE PUBLICATION EST FOURNIE "EN L'ETAT" ET AUCUNE GARANTIE, EXPRESSE OU IMPLICITE, N'EST ACCORDEE, Y COMPRIS DES GARANTIES CONCERNANT LA VALEUR MARCHANDE, L'APTITUDE DE LA PUBLICATION A REPOUDRE A UNE UTILISATION PARTICULIERE, OU LE FAIT QU'ELLE NE SOIT PAS CONTREFAISANTE DE PRODUIT DE TIERS. CE DENI DE GARANTIE NE S'APPLIQUERAIT PAS, DANS LA MESURE OU IL SERAIT TENU JURIDIQUEMENT NUL ET NON AVENU.



Declaration of Conformity

Compliance ID: Q36
Product Name: Sun Enterprise 450, Ultra 450 Creator, Ultra 450 Creator3D, and Ultra 450 Elite3D families

EMC

USA – FCC Class A

This equipment complies with Part 15 of the FCC Rules. Operation is subject to the following two conditions:

1. This equipment may not cause harmful interference.
2. This equipment must accept any interference that may cause undesired operation.

European Union

This equipment complies with the following requirements of the EMC Directive 89/336/EEC:

EN55022 / CISPR22 (1985)	Class A	Integrity Design & Test Services, Inc. Report Nos: 61419.E2, 61233.E3 Curtis-Straus, LLC. Report No: E990396-1
EN50082-1	IEC801-2 (1991)	8 kV (Direct), 15 kV (Air)
	IEC801-3 (1984)	10 V/m, 80% AM at 1KHz
	IEC801-4 (1988)	4.0 kV Power Lines, 1 kV Signal Lines
	IEC801-5	2 kV Power Lines (L-L, L-G) 1 kV Signal Lines (L-G, Shield-G)
EN61000-3-2/IEC1000-3-2 (1994)	Pass	

Safety

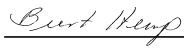
This equipment complies with the following requirements of the Low Voltage Directive 73/23/EEC:

EC Type Examination Certificates:

EN60950/IEC950 (1993)	TUV Rheinland Certificate No: S9771525
EN60950 w/ Nordic Deviations	CB Scheme Certificate No: UL1859-113363/USA

Supplementary Information

This product was tested and complies with all the requirements for the CE Mark.



Burt Hemp
Manager, Power and Compliance Engineering
Sun Microsystems, Inc.
One Network Drive UBUR03-213
Burlington, MA 01803-0903 USA
Tel: (781) 442-0006
Fax: (781) 442-1673

June 8, 1999

DATE



John Shades
Quality Assurance Manager
Sun Microsystems Limited
Springfield, Linlithgow
West Lothian, EH49 7LR
Scotland, United Kingdom
Tel: 1506 670000
Fax: 1506 672323

June 8, 1999

DATE

Regulatory Compliance Statements

Your Sun product is marked to indicate its compliance class:

- Federal Communications Commission (FCC) — USA
- Industry Canada Equipment Standard for Digital Equipment (ICES-003) — Canada
- Voluntary Control Council for Interference (VCCI) — Japan
- Bureau of Standards Metrology and Inspection (BSMI) — Taiwan

Please read the appropriate section that corresponds to the marking on your Sun product before attempting to install the product.

FCC Class A Notice

This device complies with Part 15 of the FCC Rules. Operation is subject to the following two conditions:

1. This device may not cause harmful interference.
2. This device must accept any interference received, including interference that may cause undesired operation.

Note: This equipment has been tested and found to comply with the limits for a Class A digital device, pursuant to Part 15 of the FCC Rules. These limits are designed to provide reasonable protection against harmful interference when the equipment is operated in a commercial environment. This equipment generates, uses, and can radiate radio frequency energy, and if it is not installed and used in accordance with the instruction manual, it may cause harmful interference to radio communications. Operation of this equipment in a residential area is likely to cause harmful interference, in which case the user will be required to correct the interference at his own expense.

Shielded Cables: Connections between the workstation and peripherals must be made using shielded cables to comply with FCC radio frequency emission limits. Networking connections can be made using unshielded twisted-pair (UTP) cables.

Modifications: Any modifications made to this device that are not approved by Sun Microsystems, Inc. may void the authority granted to the user by the FCC to operate this equipment.

FCC Class B Notice

This device complies with Part 15 of the FCC Rules. Operation is subject to the following two conditions:

1. This device may not cause harmful interference.
2. This device must accept any interference received, including interference that may cause undesired operation.

Note: This equipment has been tested and found to comply with the limits for a Class B digital device, pursuant to Part 15 of the FCC Rules. These limits are designed to provide reasonable protection against harmful interference in a residential installation. This equipment generates, uses and can radiate radio frequency energy and, if not installed and used in accordance with the instructions, may cause harmful interference to radio communications. However, there is no guarantee that interference will not occur in a particular installation. If this equipment does cause harmful interference to radio or television reception, which can be determined by turning the equipment off and on, the user is encouraged to try to correct the interference by one or more of the following measures:

- Reorient or relocate the receiving antenna.
- Increase the separation between the equipment and receiver.
- Connect the equipment into an outlet on a circuit different from that to which the receiver is connected.
- Consult the dealer or an experienced radio/television technician for help.

Shielded Cables: Connections between the workstation and peripherals must be made using shielded cables in order to maintain compliance with FCC radio frequency emission limits. Networking connections can be made using unshielded twisted pair (UTP) cables.

Modifications: Any modifications made to this device that are not approved by Sun Microsystems, Inc. may void the authority granted to the user by the FCC to operate this equipment.

ICES-003 Class A Notice - Avis NMB-003, Classe A

This Class A digital apparatus complies with Canadian ICES-003.

Cet appareil numérique de la classe A est conforme à la norme NMB-003 du Canada.

ICES-003 Class B Notice - Avis NMB-003, Classe B

This Class B digital apparatus complies with Canadian ICES-003.

Cet appareil numérique de la classe B est conforme à la norme NMB-003 du Canada.


VCCI 基準について

クラス A VCCI 基準について

クラス A VCCI の表示があるワークステーションおよびオプション製品は、クラス A 情報技術装置です。これらの製品には、下記の項目が該当します。

この装置は、情報処理装置等電波障害自主規制協議会 (VCCI) の基準に基づくクラス A 情報技術装置です。この装置を家庭環境で使用すると電波妨害を引き起こすことがあります。この場合には使用者が適切な対策を講ずるよう要求されることがあります。

クラス B VCCI 基準について

クラス B VCCI の表示  があるワークステーションおよびオプション製品は、クラス B 情報技術装置です。これらの製品には、下記の項目が該当します。

この装置は、情報処理装置等電波障害自主規制協議会 (VCCI) の基準に基づくクラス B 情報技術装置です。この装置は、家庭環境で使用することを目的としていますが、この装置がラジオやテレビジョン受信機に近接して使用されると、受信障害を引き起こすことがあります。取扱説明書に従って正しい取り扱いをしてください。

BSMI Class A Notice

The following statement is applicable to products shipped to Taiwan and marked as Class A on the product compliance label.

警告使用者：
這是甲類的資訊產品，在居住的環境中使用時，可能會造成射頻干擾，在這種情況下，使用者會被要求採取某些適當的對策。

Contents

Sun Enterprise 450 Server Product Notes	en-1
Remarques sur le serveur Sun Enterprise 450	fr-1
Sun Enterprise 450 Server Produkthinweise	de-1
Servidor Sun Enterprise 450: notas sobre el producto	es-1
Note sul server Sun Enterprise 450	it-1
Sun Enterprise 450 Produktinformation	sv-1

Sun Enterprise 450 Server Product Notes

These Product Notes contain late-breaking product information that is not included in the system or the multimedia documentation for Sun Enterprise™ 450 servers. Included in these Product Notes are the following topics:

- “Verifying Support for 480-MHz CPU Modules” on page 2
- “Identifying the OpenBoot Firmware Image Revision” on page 3
- “Identifying UltraSPARC II CPU Modules” on page 4
- “Configuring the CPU Modules” on page 5
- “Removing or Installing a CPU Module” on page 5
- “Removing and Replacing the CPU Air Guide” on page 6
- “Main Logic Board Jumpers” on page 12
- “Opening and Closing the Removable Media Assembly Door” on page 14
- “Removing or Installing the NVRAM Module” on page 15
- “Determining Your Power Supply Needs” on page 15
- “Power Supply Memory Latch Function” on page 17
- “System Software Requirements” on page 17
- “SPARCstorage MultiPack Units” on page 18
- “Environmental Requirements” on page 18
- “Installing the SCSI Drive Data Cable” on page 19
- “Attaching an Alphanumeric Terminal” on page 20
- “Rackmounting the Sun Enterprise 450 Server” on page 21
- “Connecting Rackmounted Peripherals” on page 21
- “Electromagnetic Compatibility” on page 22
- “Upper Blower Assembly” on page 23
- “Power Interlock” on page 23
- “Illustrated Parts Breakdown” on page 24

Verifying Support for 480-MHz CPU Modules

To verify that your server supports the 480-MHz CPU modules, you can use a UNIX[®] command, or you can find out at the `ok` prompt.

From a Console or from a Command window:

- **Type the following command at the UNIX prompt:**

```
% /usr/sbin/prtconf -pv | grep "501-5673"
```

If the number returned is 501-5673, go to the Section “Identifying UltraSPARC II CPU Modules” on page 4 of this guide.

If no number is returned, the system board is not part number 501-5673. You cannot install the new UltraSPARC II 480-MHz CPU module into the current main logic board. Contact your Sun[™] sales representative about ordering a board upgrade. Follow the board and CPU module installation instructions in the *Sun Enterprise 450 Server Board Upgrade Guide*.

If the `ok` prompt is displayed:

1. **Type the following command:**

```
ok cd /
```

2. **Type the following command for the list of data about the system:**

```
ok .prp
```

Examine the output listed for the `model` property. If the system board is not part number 501-5673, or if there is no part number listing, you cannot install the new UltraSPARC II 480-MHz CPU module. Contact your Sun sales representative about ordering a board upgrade. Follow the board and CPU module installation instructions in the *Sun Enterprise 450 Server Board Upgrade Guide*.

If the system board number is 501-5673, go to the section “Identifying UltraSPARC II CPU Modules” on page 4 of this guide.

Identifying the OpenBoot Firmware Image Revision

To verify that your server supports the 480-MHz CPU modules, you can use a UNIX command, or you can find out from the `ok` prompt.

From a UNIX Console or from a Command window:

- **Type the following command at the UNIX prompt:**

```
% /usr/sbin/prtconf -v | grep OBP
```

From the `ok` prompt:

- **Type the following command at the `ok` prompt:**

```
ok .version
```

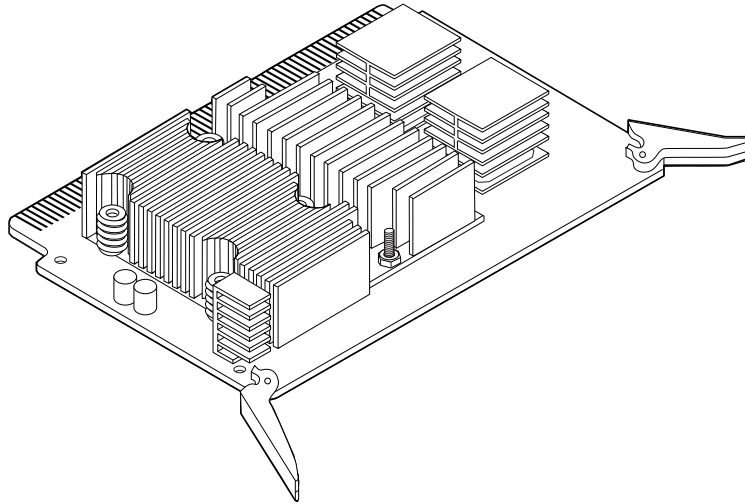
If the version returned is 3.18 or a higher compatible version, your firmware will support the faster modules. See the section “Verifying Support for 480-MHz CPU Modules” on page 2. If the version returned is lower than 3.18, you must flash update the OpenBoot™ firmware.

Contact the SunSolve™ Online web site at the URL <http://sunsolve.Sun.COM> for information about performing a flash update to your system's firmware.

To download a flash update, log in to the SunSolve Online web page. Click “Patches.” On the next page, click “Find Patch,” search for patch number 106503, and follow the on-screen instructions.

Identifying UltraSPARC II CPU Modules

The Sun Enterprise 450 server supports up to four 250-MHz, up to four 300-MHz, up to four 400-MHz, or up to four 480-MHz UltraSPARC™ II CPU modules. The following figure shows the new unshrouded 480-MHz UltraSPARC II CPU module that has 8 Mbytes of integrated cache memory.



Before installing the CPU module, verify that each new module is one of the following UltraSPARC II modules for Sun Enterprise 450 servers. The following table identifies CPU module speeds.

CPU Module Speed (MHz)	Part Number
250-MHz UltraSPARC II	501-4857 or 501-4278
300-MHz UltraSPARC II	501-4849 or 501-4196
400-MHz UltraSPARC II	501-5239 or 501-5446
480-MHz UltraSPARC II	501-5729

Configuring the CPU Modules

Before configuring the CPU module(s), determine if your system will support the power requirements of the new configuration. Review the “System Power Requirements Worksheet” on page 16 of this guide, and see the section “How to Determine System Power Requirements” in the *Ultra Enterprise 450 Server Owner’s Guide*.



Caution – All CPU modules installed in a system must operate at identical clock speeds.

Configure the UltraSPARC II CPU modules in your server according to the rules in the section “About CPU Modules” in the *Ultra Enterprise 450 Server Owner’s Guide*.

If your system has two power supplies, and you do not need a redundant power supply, follow the instructions in the next section, “Removing or Installing a CPU Module.”

Removing or Installing a CPU Module

Before removing or installing CPU modules, read the section “About CPU Modules” in the *Ultra Enterprise 450 Server Owner’s Guide*.



Caution – Before you install any CPU module, read the section “Main Logic Board Jumpers” on page 12, and verify that the jumper setting is correct for the speed of the CPU module you are installing. Serious system damage can result if your main logic board clock mode jumper is set incorrectly.

To remove or install CPU modules in the Sun Enterprise 450 server, follow the instructions in the sections “How to Remove a CPU Module” and “How to Install a CPU Module” in the *Ultra Enterprise 450 Server Owner’s Guide*.

Note – The 480-MHz CPU module requires a CPU air guide. For instructions on removing and installing the CPU air guide, see “Removing and Replacing the CPU Air Guide” on page 6.

Note – Before you install the fourth CPU module in the top CPU slot (CPU-A1), remove the blank baffle installed in the connector (J0101). Grasp the blank baffle by the front handle and slide it out of the CPU slot.

Removing and Replacing the CPU Air Guide

An air guide is installed on all 501-5673 main logic boards. The following sections describe how to remove and replace the CPU air guide.



Caution – The air guide is essential for proper system cooling. Do not start up the system without the air guide installed.

How to Remove the CPU Air Guide

You must remove the air guide before removing or installing CPU modules.



Caution – This procedure must be performed by a qualified service-trained maintenance provider. Persons who remove any of the outer panels to access this equipment must observe all safety precautions and comply with skill-level requirements, certification, and all applicable local and national laws.

Before You Begin

Complete these tasks as described in the *Ultra Enterprise 450 Server Owner's Guide*:

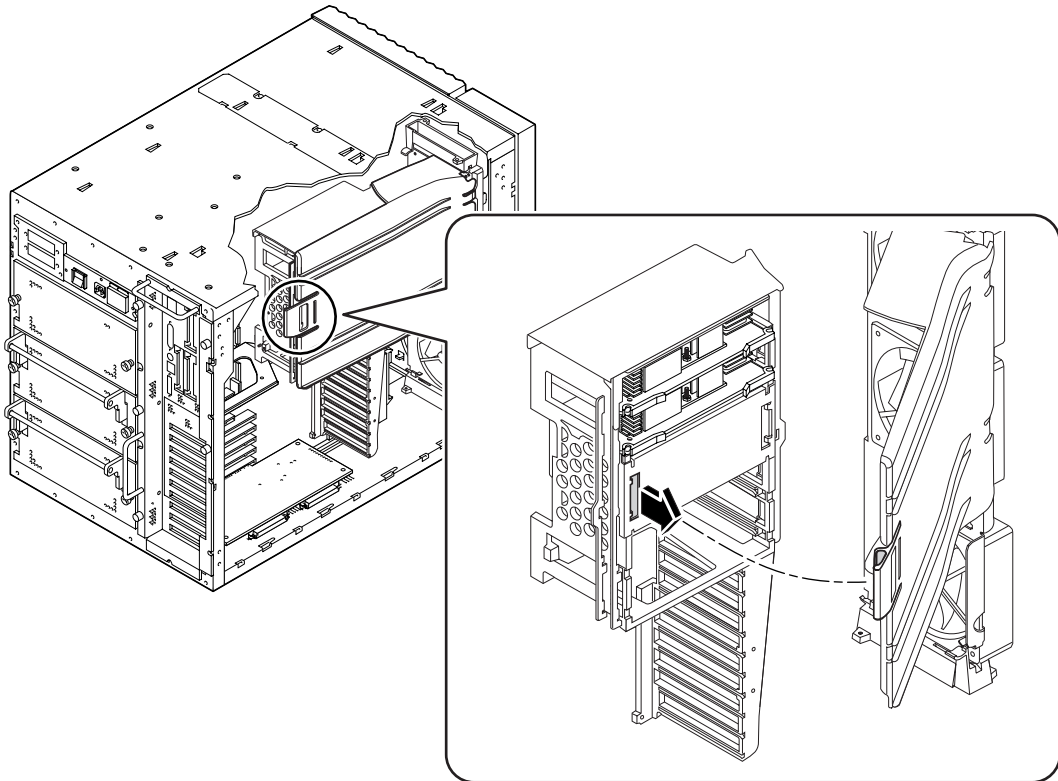
- “How to Power Down the System”
- “How to Remove the Left Side Panel”
- “How to Avoid Electrostatic Discharge”

What to Do

To remove the CPU air guide, do the following:

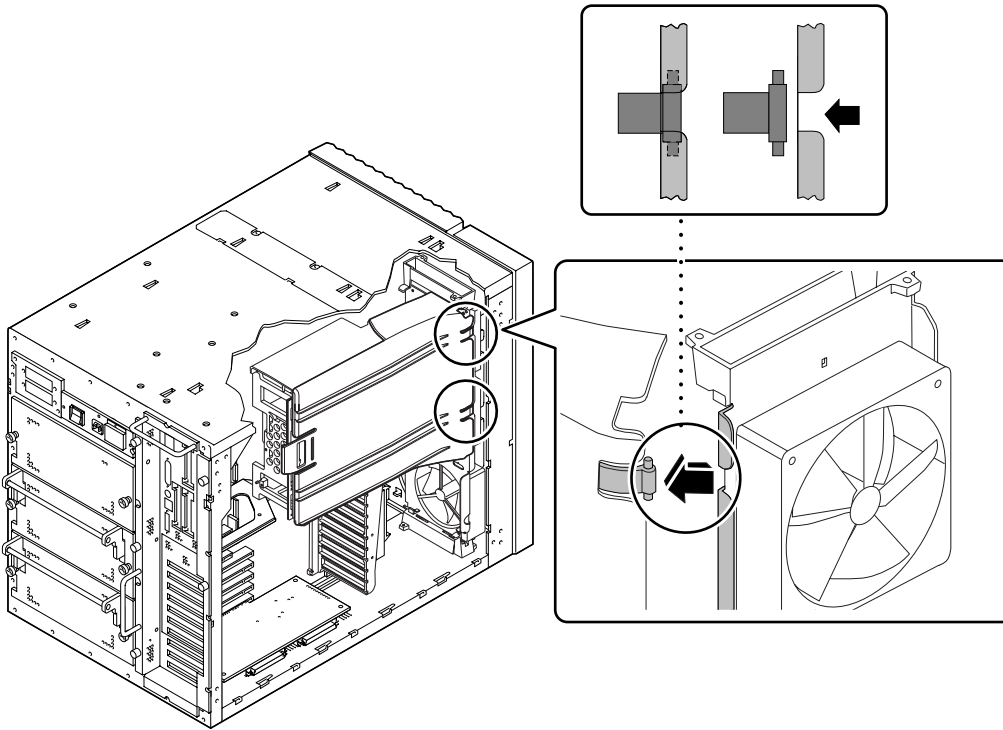
- 1. Carefully pull the left side latch toward you and swing the air guide out.**

The air guide latch should release from its catch on the main logic board Y-bracket.



2. Unhook the air guide tabs from the CPU fan tray assembly.

Slide the air guide toward the front of the chassis to release it from the CPU fan tray assembly.



What Next

See “Removing or Installing a CPU Module” on page 5 and the *Ultra Enterprise 450 Server Owner’s Guide* for instructions on removing or installing CPU modules.

To replace the CPU air guide, complete the following task:

- “How to Replace the CPU Air Guide” on page 9

How to Replace the CPU Air Guide



Caution – The air guide is essential for proper system cooling. Do not run the system without the air guide installed.



Caution – This procedure must be performed by a qualified service-trained maintenance provider. Persons who remove any of the outer panels to access this equipment must observe all safety precautions and comply with skill-level requirements, certification, and all applicable local and national laws.

Before You Begin

Complete these tasks, as described in the *Ultra Enterprise 450 Server Owner's Guide*:

- “How to Power Down the System”
- “How to Remove the Left Side Panel”
- “How to Avoid Electrostatic Discharge”

In addition, complete the following task:

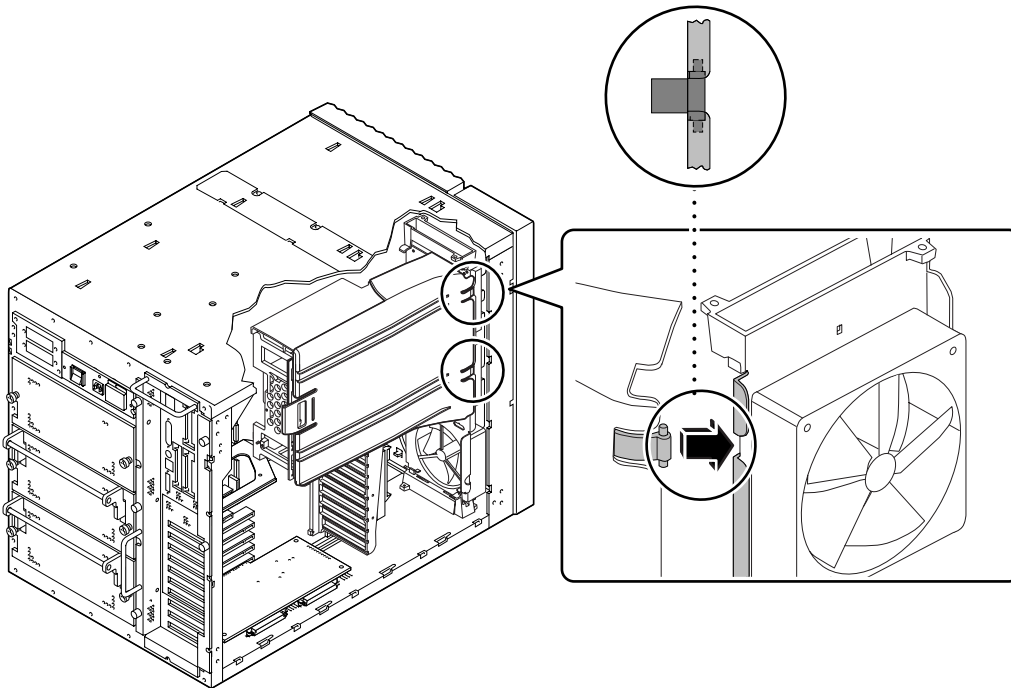
- “How to Remove the CPU Air Guide” on page 6 of this document

What to Do

To replace the CPU air guide, do the following:

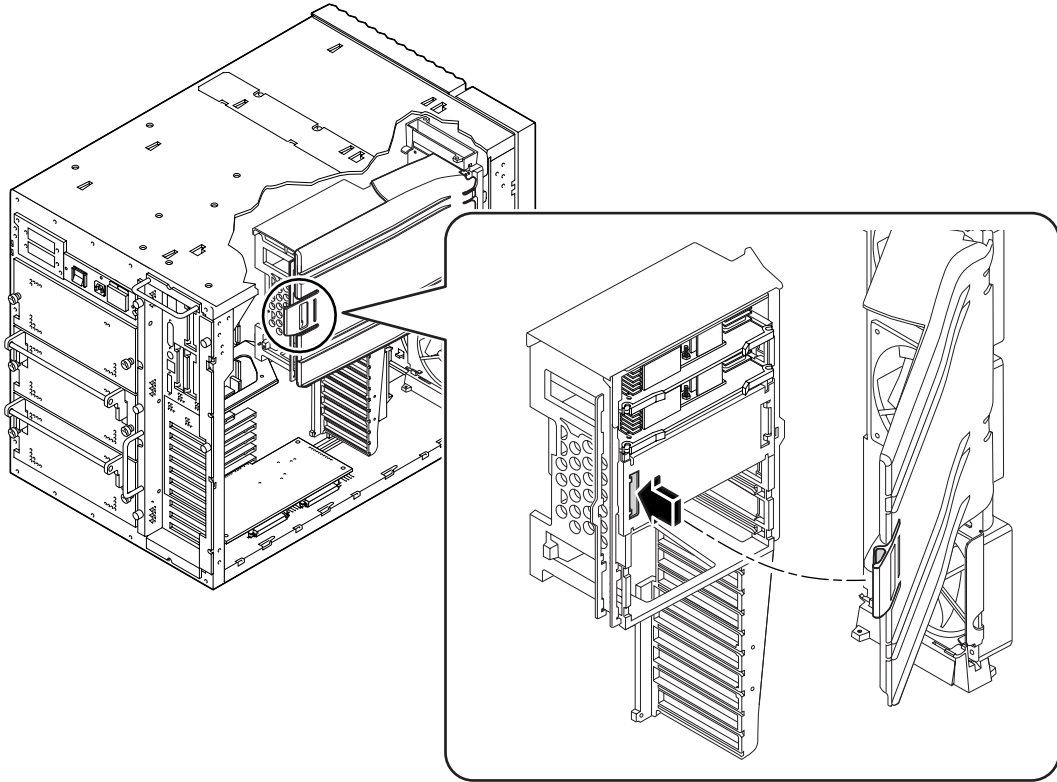
- 1. Hook the air guide tabs under the slots in the CPU fan tray assembly.**

The air guide must be held at an angle to provide enough clearance to hook the tabs under the slots in the CPU fan tray assembly.



- 2. Slide the air guide toward the rear of the chassis to secure the air guide tabs to the CPU fan tray assembly.**

3. Swivel the air guide against the Y-bracket on the main logic board and snap the latch closed.



What Next

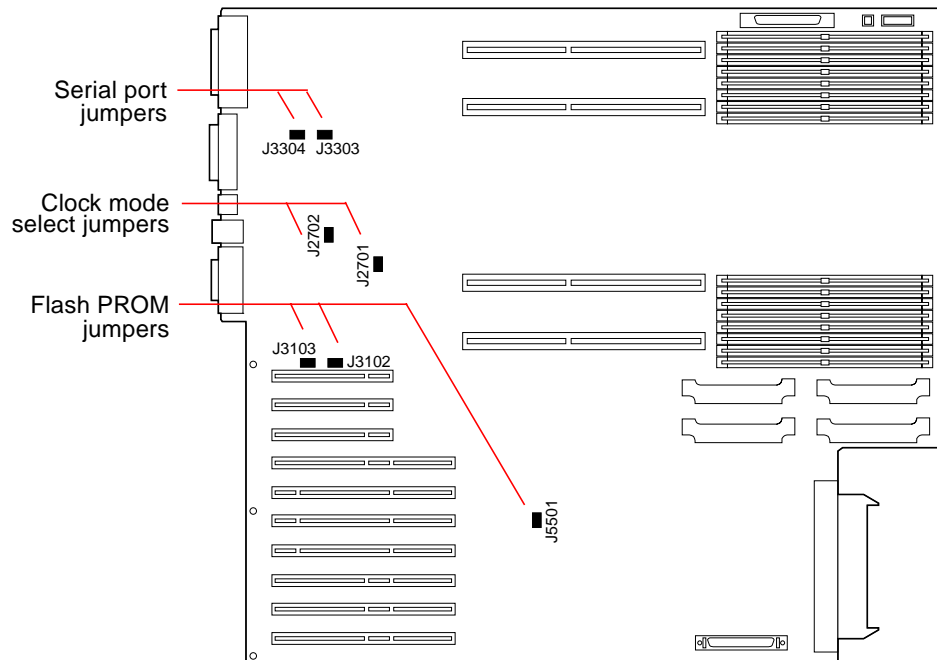
See the *Ultra Enterprise 450 Server Owner's Guide* for instructions on reassembling and restarting the system.

Main Logic Board Jumpers

The following information supersedes the information presented in the *Ultra Enterprise 450 Server Owner's Guide* concerning main logic board jumpers.

Note – Contrary to the table in the section “About the Clock Mode Select Jumper,” the clock mode select jumpers (J2701 and J2702) are now used on the Sun Enterprise 450 server main logic board (501-5673).

The following figure shows the location of the clock mode select jumpers on the main logic board.



Set the clock mode jumper shunt at addresses J2701 and J2702 to correspond to the speed of your UltraSPARC II CPU module(s). Verify that the jumper setting is correct before starting the system.

Clock Speed	J2701	J2702
250 MHz	1 + 2	2 + 3
300 MHz	1 + 2	2 + 3
400 MHz	2 + 3	2 + 3
480 MHz	2 + 3	1 + 2

The table describing the settings for the three flash PROM jumpers is incorrect. The corrected table appears below.

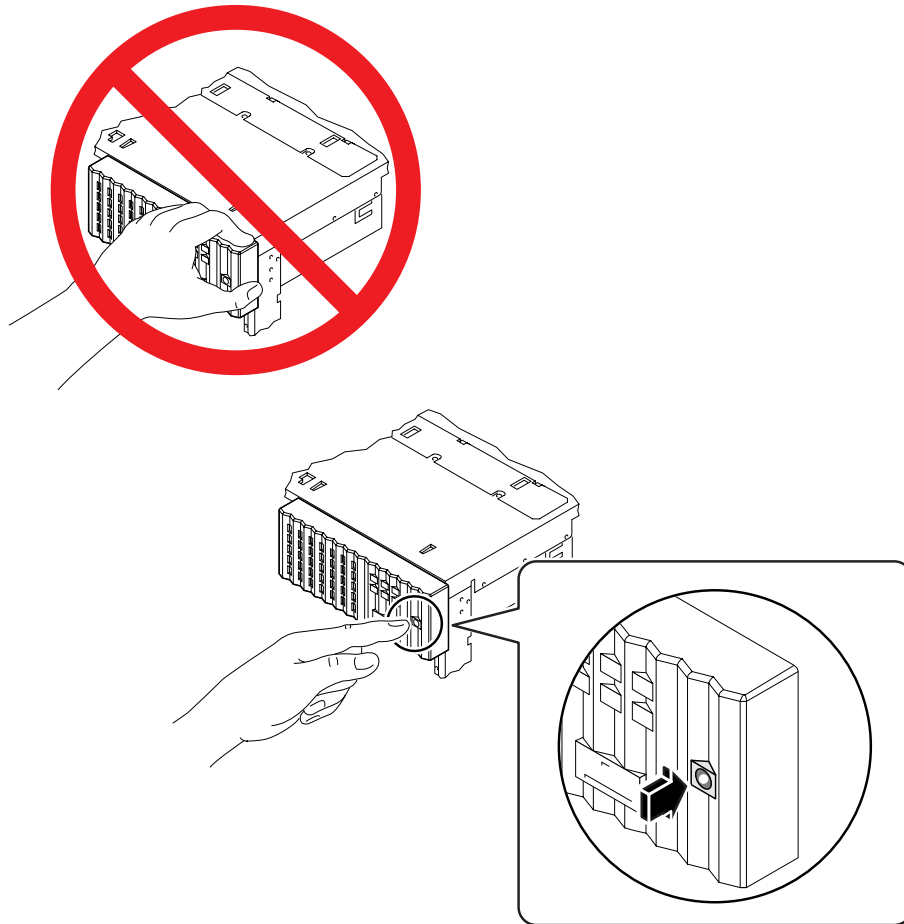
Jumper	Shunt on Pins 1 + 2 Selects	Shunt on Pins 2 + 3 Selects	Default Shunt on Pins	Signal Controlled
J3102	Flash PROM	Not To Be Used	1 + 2	FLASH PROM SEL
J3103	Write Protect	Write Enable	2 + 3	FLASH PROM PROG ENABLE
J5501	High Half Booting	Normal Booting	2 + 3	XOR LOGIC SET

Opening and Closing the Removable Media Assembly Door

To open the removable media assembly door, press the button on the right side of the door.



Caution – Do not pull on the removable media assembly door. Pulling on the door can break its latch.



To close the removable media assembly door, press the button on the right side of the door.

Removing or Installing the NVRAM Module



Caution – Before removing or installing an NVRAM module on the main logic board, be sure to disconnect the board from its power connector. Failure to do so could corrupt the information stored in the NVRAM module and adversely affect operation of the system. To disconnect the main logic board from its power connector, loosen the captive screws that secure the board to the system rear panel, and pull the handles at the rear of the board until the board is fully disengaged from its power connector.

Determining Your Power Supply Needs

The minimum configuration of the Sun Enterprise 450 server now includes two power supplies, which provide sufficient power for all supported configurations.

Note – If your system configuration requires redundant power, you may need to add a third power supply.

System Power Requirements Worksheet

The following information is an addition to the section “System Power Requirements Worksheet” in the *Ultra Enterprise 450 Server Owner’s Guide*. Use the following table for your power requirement calculations if you are installing any of the following components:

- 480-MHz CPU module with 8-Mbyte Ecache
- 400-MHz CPU module with 4-Mbyte Ecache
- SunCD™ 32 CD-ROM
- DVD ROM
- 18-Gbyte hard disk drive
- 36-Gbyte hard disk drive
- DDS4 tape drive

Line No.	Option	Qty	+3.3 VDC Amps	Total Amps @ 3.3 V	+5 VDC Amps	Total Amps @ 5 V	+12 VDC Amps	Total Amps @ 12 V
CPU Options								
	480 MHz CPU with 8 MB Ecache and DC/DC converter		7.5		6.7			
	400 MHz CPU with 4 MB Ecache and DC/DC converter		5.0		5.6			
Internal Storage Device Options								
	SunCD 32 CD-ROM				0.55		0.61	
	DVD ROM				0.42		0.51	
	18 GB hard disk drive				0.8		0.5	
	36 GB hard disk drive				0.8		0.5	
	DDS4 tape drive				0.9		0.5	

Power Supply Memory Latch Function

The Sun Enterprise 450 power supply has a memory latch function that allows the power supply to “remember” its last power on/off state in response to a power outage or removal of the AC power cord. This feature allows the power supply to resume operation automatically once power is restored. It also enables hot-swapping of power supplies.

Under some circumstances, this feature can be misdiagnosed as a power supply failure. If you remove a power supply from a system that is powered off and attempt a hot-plug installation into a system that is powered on, the power supply will remain in the Off state. This should not be interpreted as a power supply failure. To activate the power supply, simply turn the front panel keyswitch from the Power-On position to the Diagnostics position, and then back to the Power-On position. Alternatively, you may press the Power-On key on a Sun Type-5 keyboard attached to the system.

System Software Requirements

The Sun Enterprise 450 server requires Solaris 2.5.1 Hardware: 11/97, Solaris 2.6 Hardware: 5/98, Solaris 7, Solaris 8, or a subsequent compatible Solaris release. To verify that the proper version of the operating environment is installed on your Sun Enterprise 450 server, examine the file `/etc/release`. The file should, for example, contain the text “Solaris 2.5.1 Hardware: 11/97” or it should identify a later compatible Solaris release.

For more information on software compatibility, read the Sun publication, *Installing Solaris Software for Selected Hardware* (806-4005), shipped with the Operating Environment Installation CD.

Any patches required for your Solaris software release can be found at the SunSolve Online web site at the URL:

<http://sunsolve.Sun.COM/>

SPARCstorage MultiPack Units

A compatibility issue exists between the Sun Enterprise 450 server's embedded or expansion PCI SCSI host bus adapters (HBAs) and some older Fast/Wide SCSI SPARCstorage™ MultiPack (SMP) units that may contain UltraSCSI (Fast-20) capable drives. The HBAs available on Sun Enterprise 450 servers default to use UltraSCSI operation when UltraSCSI devices are present. However, some SPARCstorage MultiPack units (both 6- and 12-drive versions) do not support UltraSCSI operation. Attempting to use such a configuration can lead to reduced SCSI bus performance and potential system panic.

Workaround: Prior to using this configuration, disable the UltraSCSI mode for each controller instance to which a SMP is attached. Refer to the `pci(4)`, `glm(7D)`, and `isp(7D)` man pages for details.

Note – An alternative workaround method involving a global SCSI option change through `/etc/system` would result in loss of UltraSCSI mode on internal system disk backplanes.

This issue does not exist with 6-drive SPARCstorage MultiPack 2 systems, which are UltraSCSI capable.

Environmental Requirements

The following information is an addition to the section "Environmental Requirements" in Appendix B "System Specifications" in the English version of the *Ultra Enterprise 450 Server Owner's Guide* (805-0429-10).

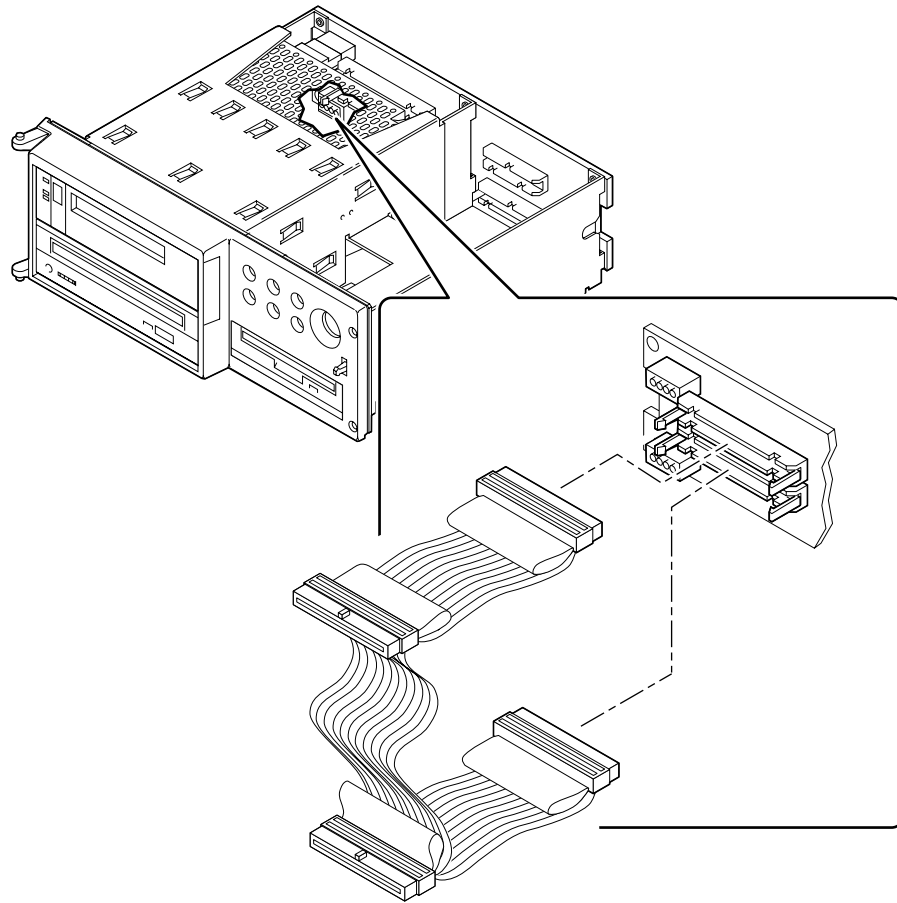
Parameter	Value
Operating	
Temperature	5°C to 40°C ¹ (41°F to 95°F)—IEC 68-2-1, 68-2-2
Altitude	0 to 3000 meters (0 to 10,000 feet)—IEC 68-2-40, 68-2-41

1. With one or more 400-MHz modules installed, above 1500 meters (5000 feet) the supported maximum ambient operating temperature declines from 40°C (95°F) at a rate of 0.8°C (1.44°F) per 304.8 meters (1000 feet) up to 3000 meters (10,000 feet).

Installing the SCSI Drive Data Cable

The *Ultra Enterprise 450 Server Owner's Guide* and *ShowMe How Multimedia* application incorrectly show how to install the SCSI drive data cable in the removable media assembly. Procedures documented in both show that the connectors at each end of the cable are connected to the SCSI devices, and the two connectors in the middle of the cable attach to the removable media backplane. These procedures are incorrect.

The correct way to install the cable is with the two free ends of the cable connected to the removable media backplane, as shown below.



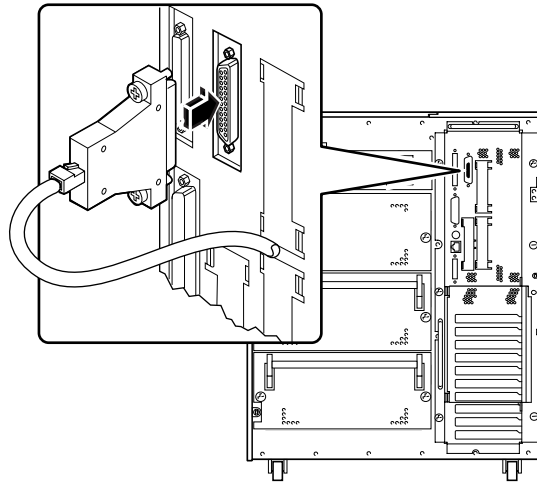
Refer to this illustration when performing the following procedures described in the *Ultra Enterprise 450 Server Owner's Guide* and the corresponding procedures in the *ShowMe How Multimedia* application:

- “How to Remove the Removable Media Backplane”
- “How to Install the Removable Media Backplane”
- “How to Remove a CD-ROM Drive or Tape Drive”
- “How to Install a CD-ROM Drive or Tape Drive”
- “How to Remove the SCSI Drive Data Cable”
- “How to Install the SCSI Drive Data Cable”

Note – There is no adverse effect on system operation or performance if the cable is installed according to the original instructions in the *Ultra Enterprise 450 Server Owner's Guide* and *ShowMe How Multimedia* application. However, the cable is easier to install, and less prone to damage during installation, if you install it as shown in these Product Notes.

Attaching an Alphanumeric Terminal

The illustration in the *Ultra Enterprise 450 Server Owner's Guide* incorrectly identifies the location of the serial port connector on the server's back panel. The correct location is shown below.



Rackmounting the Sun Enterprise 450 Server

An optional rackmounting kit is available for installing a Sun Enterprise 450 server into a EIA standard 19-inch rack. For additional details, contact your Sun authorized sales representative.

Rackmount placement information for the Sun Enterprise 450 server is available through the Web at the URL:

<http://docs.sun.com>

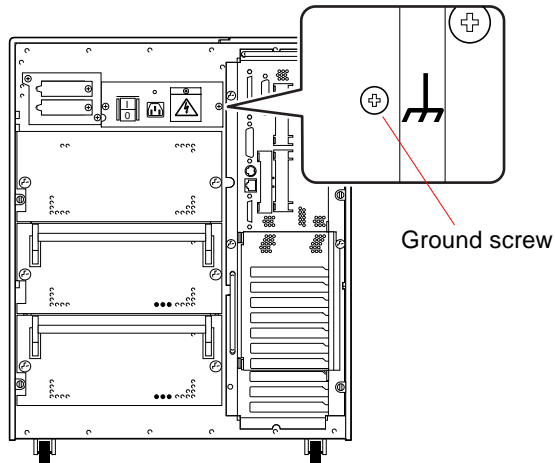
Click on “Storage & Peripherals” in the Hardware section and open the *Rackmount Placement Matrix*.

Note – Before installing the Sun Enterprise 450 server in a Sun Enterprise Expansion Cabinet, be sure to remove the kick plate at the bottom rear of the cabinet. Removing the kick plate allows two Sun Enterprise 450 servers to fit inside the cabinet. For additional details, see the documentation supplied with the Sun Enterprise Expansion Cabinet.

Connecting Rackmounted Peripherals

When connecting a desktide Sun Enterprise 450 server to any rackmounted peripheral, be sure to connect an appropriate grounding strap between the server and the rack enclosure. This strap prevents ground loops between the two systems and guards against possible data loss.

A grounding strap is typically provided with the rack enclosure. Attach one end of the strap to the designated ground point on your rack enclosure, according to the instructions provided with the enclosure. Attach the other end to the ground screw on the Sun Enterprise 450 server, as shown in the next figure. Be sure to tighten the ground screw completely to ensure a good connection.



Caution – The ground screw on the Sun Enterprise 450 server is a critical component for providing protection against electrical hazard in the event of a system power fault. Failure to replace and completely tighten the ground screw could result in a hazardous condition.

Electromagnetic Compatibility

The Sun Enterprise 450 server system meets the Class A requirements for electromagnetic interference (EMI) conforming to international standards. Some of these standards are noted in the “Declaration of Conformity” in the “Regulatory Compliance Statements” at the beginning of this document.



Caution – Please read the sections that apply to Class A equipment in the “Regulatory Compliance Statements” at the beginning of this document. There are several measures you can take to correct interference problems. For additional correction details, see the FCC Class B Notice in the “Regulatory Compliance Statements.”

Upper Blower Assembly

The upper blower assembly (part number 540-3023) is no longer a part of the Sun Enterprise 450 server; however, the procedures contained in the *Ultra Enterprise 450 Server Owner’s Guide* and *ShowMe How Multimedia* application assume that this part is present. For any procedure that involves removal of the main logic board, the instructions say to disconnect the upper blower cable from the main logic board before removing the board. Since your system does not include an upper blower assembly, you can safely ignore this step.

Power Interlock

The Sun Enterprise 450 server features a power interlock safety mechanism. Removing either of the system side panels activates the system power interlock switches. This safety mechanism prevents DC voltages from reaching any internal component when either side panel is removed and the AC power switch is left on. Do not remove either side panel while the system is running. Doing so will cause the system to power off abruptly.

Illustrated Parts Breakdown

The following information is an addition to the table in the *Ultra Enterprise 450 Server Owner's Guide*.

Note – Part numbers listed in this section are correct as of the publication date of these Product Notes but are subject to change without notice. Consult your authorized Sun sales representative or service provider to confirm a part number prior to ordering a replacement part.

Category	Replacement Part	Part Number
Main Logic Board and Components	Main Logic Board, 250 and 300 MHz	501-5270
	Main Logic Board, 400 MHz	501-5672
	Main Logic Board, 480 MHz	501-5673
	DIMM, 256 MB, 60 NS	501-4743
	UltraSPARC II CPU (250 MHz, 1 MB Ecache)	501-4857
	UltraSPARC II CPU (300 MHz, 2 MB Ecache)	501-4849
	UltraSPARC II CPU (400 MHz, 4 MB Ecache)	501-5239
	UltraSPARC II CPU (480 MHz, 8 MB Ecache)	501-5729
Backplanes	8-slot UltraSCSI Backplane	501-5274
Storage Devices	SunCD 32 CD-ROM Drive	370-3416
	DVD ROM Drive	390-0025
	9 GB UltraSCSI Disk Drive, 7200 rpm	501-3704
	18 GB UltraSCSI Disk Drive	540-4177
	36 GB UltraSCSI Disk Drive	540-4521
	DDS4 Tape Drive	390-0028
Internal Cables	LED Interface Cable	530-2363 ¹

1. Supersedes 530-2362

Remarques sur le serveur Sun Enterprise 450

Ces remarques sur le produit contiennent des informations de dernière minute qui ne sont pas fournies avec le système ni dans la documentation multimédia relative aux serveurs Ultra Enterprise™ 450. Elles examinent les points suivants :

- “Vérification de la prise des modules processeur à 480 MHz”, page 2
- “Identification de la version de révision du progiciel OpenBoot”, page 3
- “Identification des modules processeur UltraSPARC II”, page 4
- “Configuration des modules processeur”, page 5
- “Retrait ou installation d’un module processeur”, page 5
- “Retrait et remise en place du conduit d’aération du processeur”, page 6
- “Cavaliers de la carte logique principale”, page 12
- “Ouverture et fermeture de la porte du support amovible”, page 14
- “Retrait ou installation du module de mémoire NVRAM”, page 15
- “Calcul des besoins électriques de votre système”, page 15
- “Fonction de verrouillage de mémoire des blocs d’alimentation”, page 17
- “Configuration logicielle requise”, page 17
- “Unités SPARCstorage Multipack”, page 18
- “Caractéristiques techniques liées à l’environnement”, page 18
- “Installation du câble de données d’un lecteur SCSI”, page 19
- “Connexion d’un terminal alphanumérique”, page 20
- “Montage en armoire du serveur Sun Enterprise 450”, page 21
- “Connexion de périphériques montés en armoire”, page 21
- “Compatibilité électromagnétique”, page 22
- “Assemblage de ventilation supérieur”, page 23
- “Verrouillage électrique”, page 23
- “Tableau des pièces de rechange”, page 24

Vérification de la prise des modules processeur à 480 MHz

Pour vérifier si votre serveur prend en charge les modules processeur à 480 MHz, vous pouvez utiliser une commande UNIX[®] ou partir de l'invite `ok`.

Sur une console ou dans une fenêtre Command :

- Tapez la commande suivante à l'invite UNIX :

```
% /usr/sbin/prtconf -pv | grep "501-5673"
```

Si le numéro qui s'affiche est 501-5673, reportez-vous à la section intitulée "Identification des modules processeur UltraSPARC II", page 4 de ce guide.

Si aucun numéro ne s'affiche, cela indique que votre carte système ne porte pas la référence 501-5673, cas dans lequel vous ne pouvez pas installer le nouveau module processeur UltraSPARC II 480 MHz dessus. Veuillez contacter votre représentant Sun[™] afin de commander une mise à jour pour votre carte. Suivez ensuite les instructions d'installation de *Sun Enterprise 450 Server Board Upgrade Guide*.

Si l'invite `ok` est affichée à l'écran :

1. Tapez la commande suivante :

```
ok cd /
```

2. Tapez la commande suivante pour obtenir une liste de données relatives au système :

```
ok .prp
```

Recherchez la propriété `model` dans la liste obtenue. Si la carte système ne porte pas le numéro de référence 501-5673 (ou si aucun numéro de référence n'apparaît), vous ne pouvez pas installer le nouveau module processeur UltraSPARC II 480 MHz sur cette carte. Veuillez contacter votre représentant Sun[™] afin de commander une mise à jour pour votre carte. Suivez ensuite les instructions d'installation de module carte et processeur données dans le *Sun Enterprise 450 Server Board Upgrade Guide*.

Si le numéro de référence de la carte système est 501-5673, reportez-vous à la section suivante intitulée "Identification des modules processeur UltraSPARC II", page 4 de ce guide.

Identification de la version de révision du progiciel OpenBoot

Pour vérifier si votre serveur prend en charge les modules processeur à 480 MHz, vous pouvez utiliser une commande UNIX ou partir de l'invite `ok`.

Sur une console UNIX ou dans une fenêtre Command :

- Tapez la commande suivante à l'invite UNIX :

```
% /usr/sbin/prtconf -v | grep OBP
```

A partir de l'invite `ok` :

- Tapez la commande suivante à l'invite `ok` :

```
ok .version
```

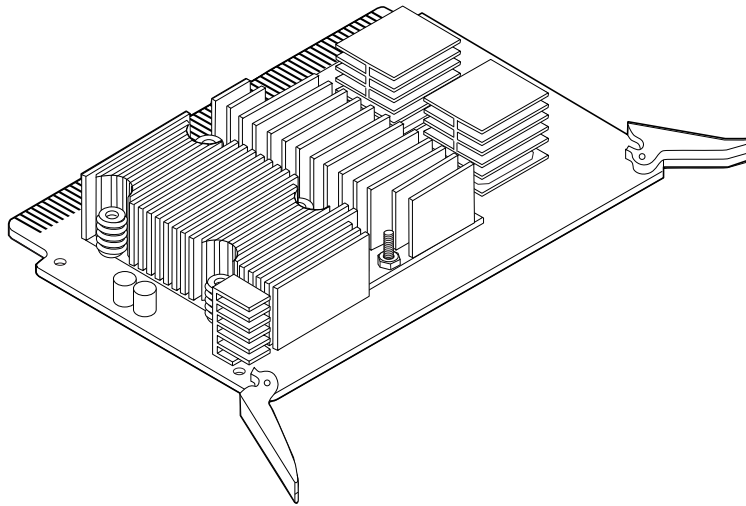
Si le numéro de version affiché est 3.18 ou une version compatible ultérieure, votre progiciel prend en charge les modules plus rapides. Pour en savoir plus, reportez-vous à la section intitulée “Vérification de la prise des modules processeur à 480 MHz”, page 2. Si le numéro de version affiché est inférieur à 3.18, vous devez mettre à jour le progiciel OpenBoot™ via la mémoire flash.

Connectez-vous au site Web SunSolve Online™ à l'adresse <http://sunsolve.Sun.COM> pour obtenir des informations relatives à la mise à jour de votre progiciel via la mémoire flash.

Pour télécharger une mise à jour flash, connectez-vous au site Web de SunSolve Online. Cliquez sur “Patches”. Sur la page suivante qui s'affiche, cliquez sur “Find Patch”, spécifiez le numéro de patch 106503 et suivez les instructions fournies à l'écran.

Identification des modules processeur UltraSPARC II

Le serveur Sun Enterprise 450 prend en charge jusqu'à quatre modules processeur UltraSPARC™ II à 250 MHz, 300 MHz, 400 MHz ou 480 MHz. La figure suivante représente le nouveau module processeur UltraSPARC II à 480 MHz non blindé qui possède 8 Mo de mémoire cache intégrée.



Avant d'installer un module processeur, vérifiez qu'il figure bien parmi les modules UltraSPARC II suivants (pour les serveurs Sun Enterprise 450). Le tableau ci-après indique les vitesses des modules processeur.

Vitesse du module (MHz)	N° de référence
250-MHz UltraSPARC II	501-4857 ou 501-4278
300-MHz UltraSPARC II	501-4849 ou 501-4196
400-MHz UltraSPARC II	501-5239 ou 501-5446
480-MHz UltraSPARC II	501-5729

Configuration des modules processeur

Avant de vous lancer dans la configuration d'un ou plusieurs modules processeur, vous devez vous assurer que le système puisse supporter les besoins en électricité de la nouvelle configuration. Consultez "Tableau des besoins électriques du système", page 16 de ce guide et la section "Calcul des besoins électriques de votre système" du *Guide du propriétaire Ultra Enterprise 450 Server*.



Attention – Tous les modules processeur installés dans un même système doivent fonctionner à des vitesses d'horloge identiques.

Configurez les modules processeur UltraSPARC II de votre serveur en suivant les règles de la section "A propos des modules processeur" du *Guide du propriétaire Ultra Enterprise 450 Server*.

Si votre système dispose de deux blocs d'alimentation et que vous n'avez pas besoin d'une alimentation redondante, suivez les instructions de la section suivante "Retrait ou installation d'un module processeur".

Retrait ou installation d'un module processeur

Avant de retirer ou d'installer des modules processeur, lisez la section "A propos des modules processeur" du *Guide du propriétaire Ultra Enterprise 450 Server*.



Attention – Avant d'installer un module processeur quel qu'il soit, lisez la section "Cavaliers de la carte logique principale", page 12, et vérifiez que le cavalier soit bien paramétré pour la vitesse du module processeur que vous installez. Un mauvais paramétrage du cavalier du mode d'horloge de la carte logique principale peut endommager sérieusement le système.

Pour retirer ou installer des modules processeur dans un serveur Ultra Enterprise 450, suivez les instructions des sections "Comment retirer un module processeur" et "Comment installer un module processeur" du *Guide du propriétaire Ultra Enterprise 450 Server*.

Remarque – Le module processeur à 480 MHz requiert l'utilisation d'un conduit d'aération. Suivez les instructions de retrait et d'installation du conduit d'aération du processeur de la section "Retrait et remise en place du conduit d'aération du processeur", page 6.

Remarque – Avant d'installer le quatrième module processeur dans l'emplacement processeur supérieur (CPU-A1), retirez la plaque de protection, s'il y en a une, du connecteur (J0101). Prenez cette plaque par sa poignée avant et faites-la glisser hors de l'emplacement

Retrait et remise en place du conduit d'aération du processeur

Un conduit d'aération est installé sur toutes les cartes logiques principales 501-5673. Les sections suivantes décrivent le retrait et la remise en place de ce conduit.



Attention – Le conduit d'aération est essentiel au refroidissement approprié du système. Ne relancez jamais le système si ce conduit n'est pas remis en place.

Comment retirer le conduit d'aération

Vous devez retirer le conduit d'aération avant de procéder au retrait ou à l'installation des modules processeur.



Attention – Cette manipulation doit être effectuée par un technicien qualifié du service de maintenance. Toute personne procédant au retrait des panneaux externes afin d'accéder à ce composant, doit observer les précautions de sécurité et répondre aux exigences de compétences, de certification et de tout autre règlement local ou national applicable.

Avant de commencer

Effectuez les tâches suivantes, telles qu'elles sont décrites dans le *Guide du propriétaire Ultra Enterprise 450 Server* :

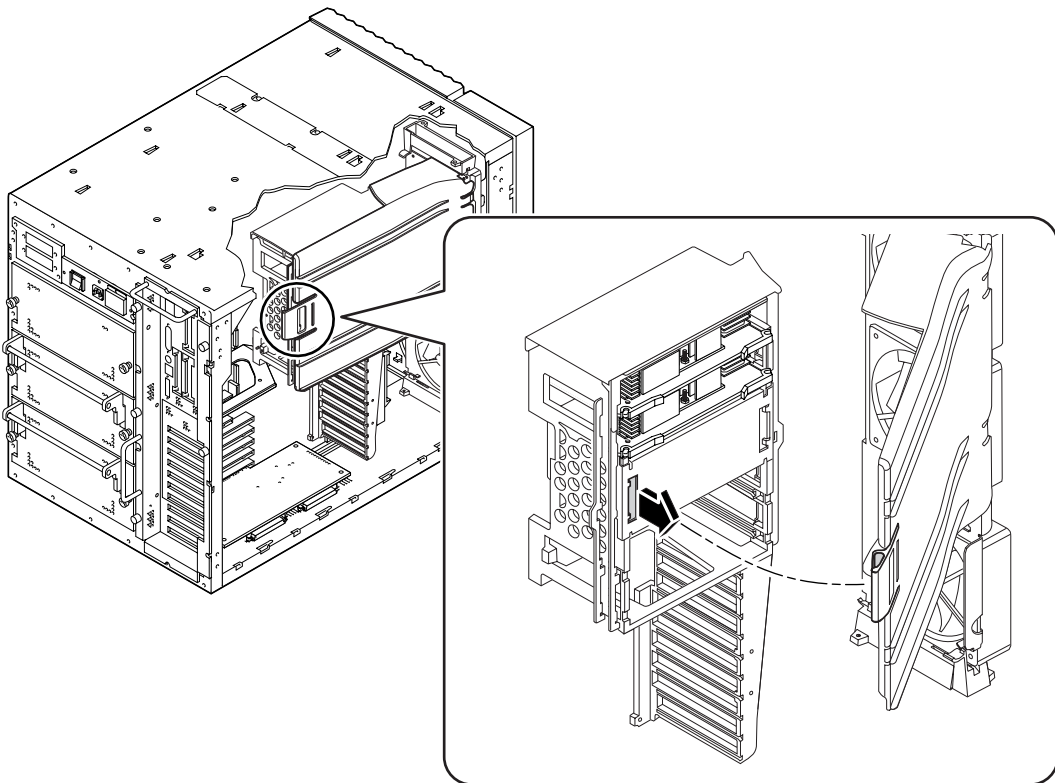
- “Comment mettre le système hors tension”
- “Comment retirer le panneau latéral gauche”
- “Comment éviter les décharges électrostatiques”

Comment procéder

Pour retirer le conduit d'aération du processeur, procédez de la façon suivante :

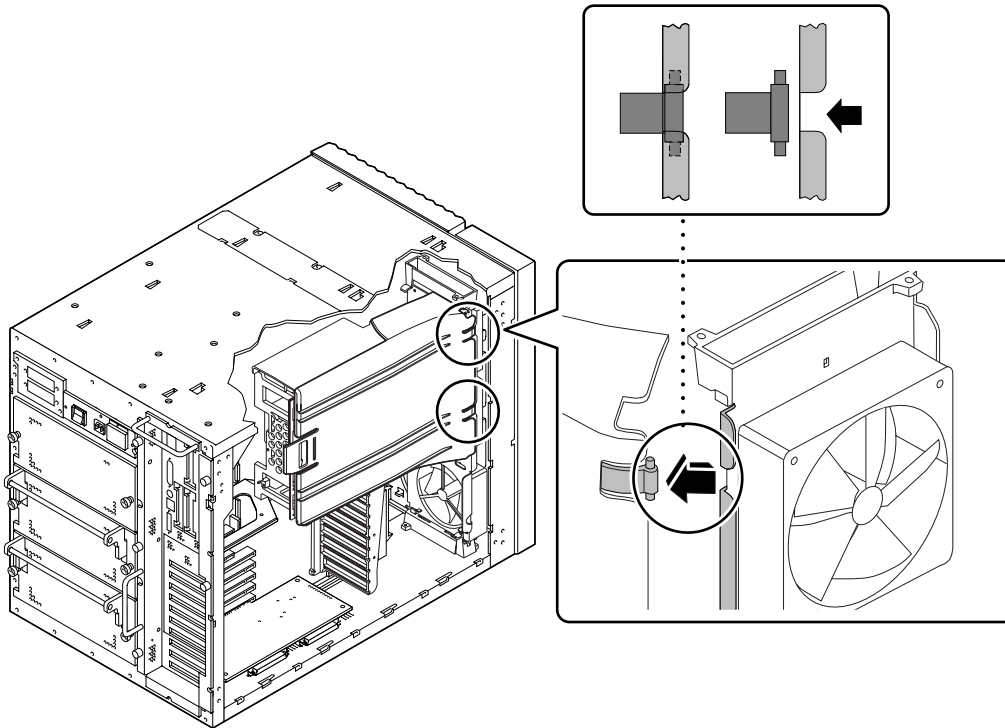
- 1. Soulevez délicatement la bascule latérale gauche et faites pivoter le conduit d'aération.**

La bascule du conduit d'aération se libère alors de son sautoir installé sur le crochet en Y de la carte logique principale.



2. Retirez les fiches maintenant le conduit sur le dispositif d'aération du processeur.

Faites glisser le conduit d'aération vers l'avant du châssis de façon à le désolidariser du dispositif d'aération du processeur.



Etape suivante

Consultez la section “Retrait ou installation d’un module processeur”, page 5 et le *Guide du propriétaire Ultra Enterprise 450* pour connaître les instructions de retrait ou d’installation des modules processeur.

Pour remettre le conduit d’aération du processeur en place, examinez le point suivant :

- “Comment remplacer le conduit d’aération du processeur”, page 9

Comment remplacer le conduit d'aération du processeur



Attention – Le conduit d'aération est essentiel au refroidissement approprié du système. Ne relancez jamais le système si ce conduit n'est pas remis en place.



Attention – Cette manipulation doit être effectuée par un technicien qualifié du service de maintenance. Toute personne procédant au retrait des panneaux externes afin d'accéder à ce composant, doit observer les précautions de sécurité et répondre aux exigences de compétences, de certification et de tout autre règlement local ou national applicable.

Avant de commencer

Effectuez les tâches suivantes, telles qu'elles sont décrites dans le *Guide du propriétaire Ultra Enterprise 450 Server* :

- “Comment mettre le système hors tension”
- “Comment retirer le panneau latéral gauche”
- “Comment éviter les décharges électrostatiques”

Vous devez en outre effectuer la tâche suivante :

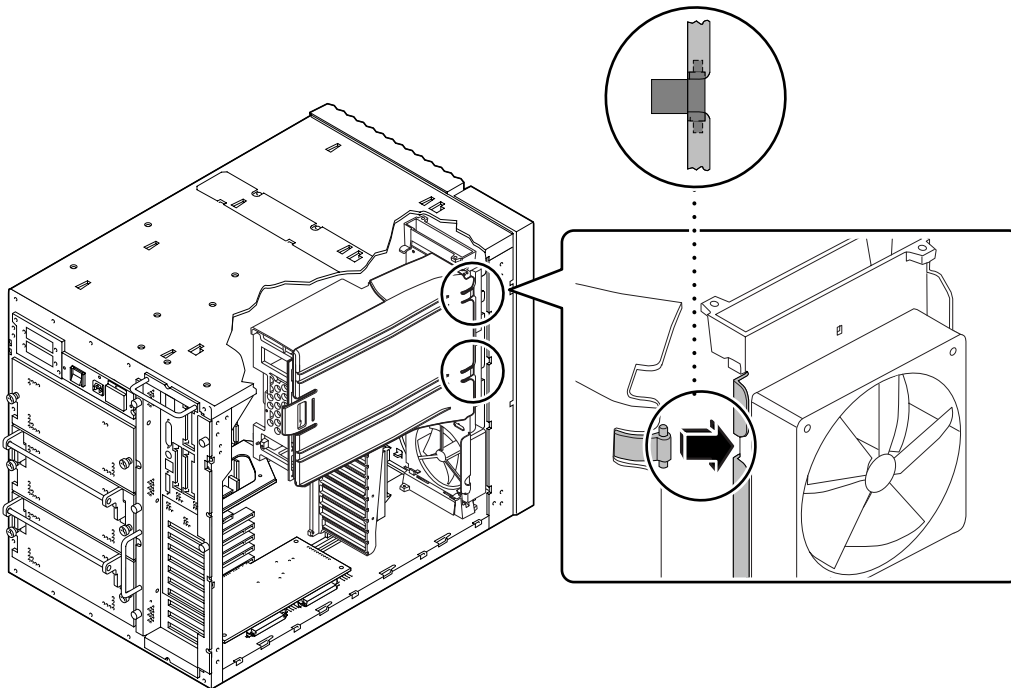
- “Comment retirer le conduit d'aération”, page 6 de ce guide

Comment procéder

Pour remettre en place le conduit d'aération du processeur, procédez de la façon suivante :

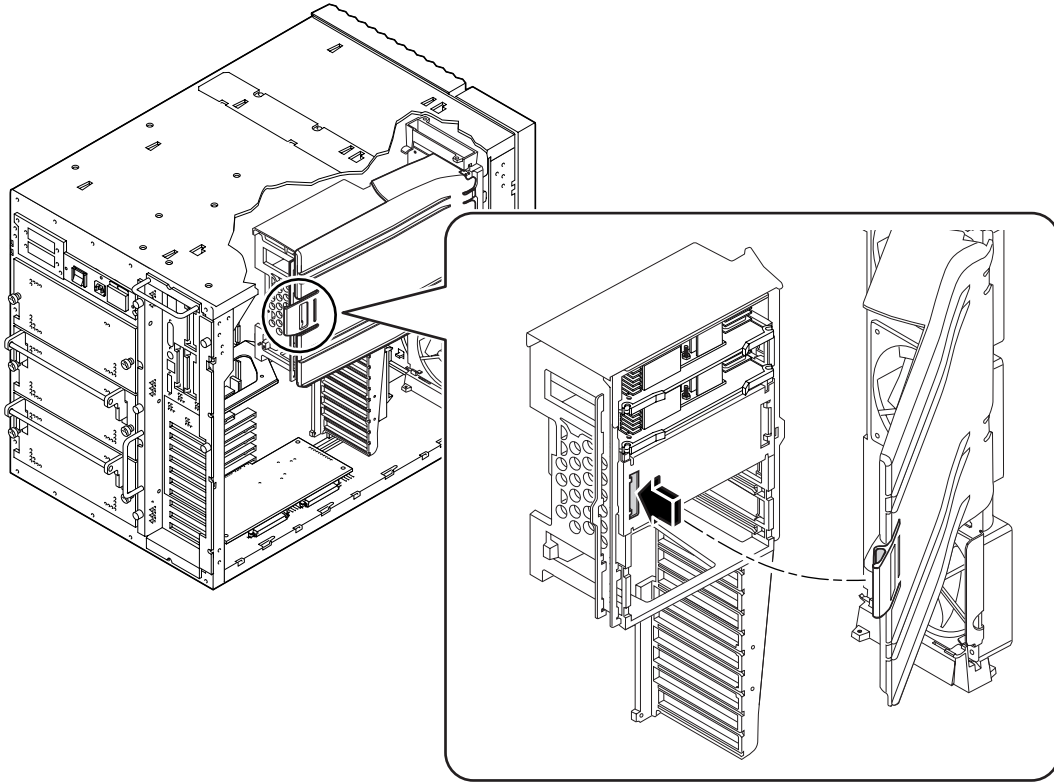
- 1. Enclenchez les fiches du conduit d'aération sous les connecteurs du dispositif d'aération du processeur.**

Manipulez le conduit d'aération guide en le tenant d'un seul côté afin de pouvoir enclencher les fiches sous les connecteurs du dispositif d'aération du processeur.



- 2. Faites glisser le conduit vers l'arrière du châssis afin d'enclencher correctement les fiches du conduit d'aération sur le dispositif d'aération du processeur.**

3. Faites pivoter le conduit d'aération sur le crochet en Y situé sur la carte logique principale et enclenchez la bascule à sa place.



Etape suivante

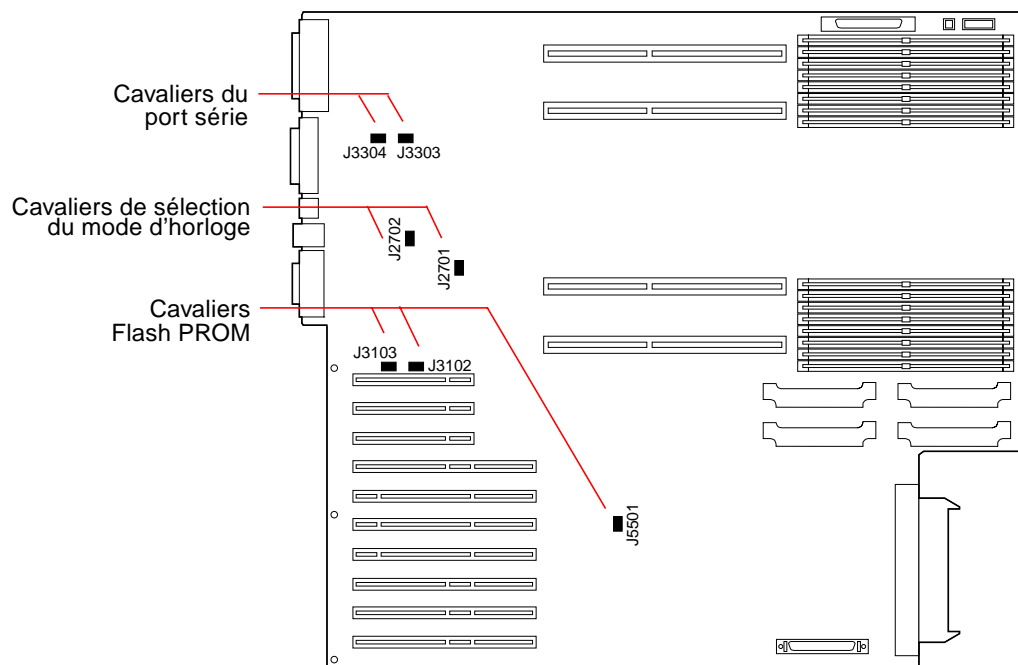
Reportez-vous au *Guide du propriétaire Ultra Enterprise 450 Server* pour connaître les instructions de réassemblage et de redémarrage du système.

Cavaliers de la carte logique principale

Ces informations remplacent celles de la section “A propos du cavalier de sélection du mode d’horloge” du *Guide du propriétaire Ultra Enterprise 450 Server*.

Remarque – Contrairement au tableau de la section “A propos du cavalier de sélection du mode d’horloge”, les cavaliers de sélection du mode d’horloge (J2701 et J2702) sont utilisés sur la carte logique principale (501-5673) du serveur Sun Enterprise 450.

La figure suivante montre l’emplacement des cavaliers de sélection du mode d’horloge sur la carte logique principale.



Paramétrez les cavaliers du mode d'horloge aux adresses J2701 et J2702 de façon à correspondre à la vitesse de votre module processeur UltraSPARC II. Vérifiez que les cavaliers sont bien paramétrés avant de démarrer le système.

Vitesse horloge	J2701	J2702
250 MHz	1 + 2	2 + 3
300 MHz	1 + 2	2 + 3
400 MHz	2 + 3	2 + 3
480 MHz	2 + 3	1 + 2

Le tableau qui décrit le paramétrage des trois cavaliers Flash PROM est erroné, servez-vous de celui ci-après.

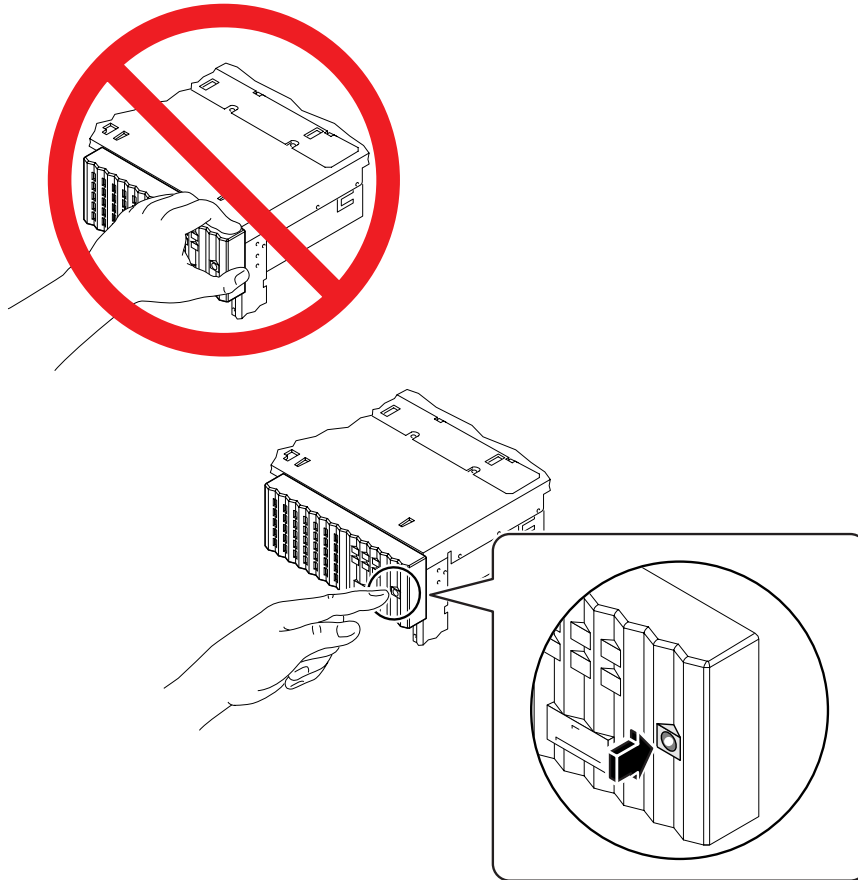
Cavalier	Sélection des broches 1 + 2	Sélection des broches 2 + 3	Position par défaut des broches	Contrôle par signal
J3102	Flash PROM	Ne pas utiliser	1 + 2	FLASH PROM SEL
J3103	Protection contre l'écriture	Accès en écriture	2 + 3	FLASH PROM PROG ENABLE
J5501	Démarrage demi-hauteur	Démarrage normal	2 + 3	XOR LOGIC SET

Ouverture et fermeture de la porte du support amovible

Pour ouvrir la porte du support amovible, appuyez sur le bouton situé à droite de la porte.



Attention – Ne tirez pas la porte du support amovible car vous risquez d'endommager son système de fermeture.



Pour fermer la porte du support amovible, appuyez sur le bouton situé à droite de celle-ci.

Retrait ou installation du module de mémoire NVRAM



Attention – Avant de retirer ou d'installer un module NVRAM sur la carte logique principale, veuillez à déconnecter cette carte de son connecteur électrique. Le non-respect de cette instruction peut causer la détérioration des informations stockées dans le module NVRAM et avoir des effets négatifs sur le fonctionnement du système. Pour déconnecter la carte logique principale de son connecteur électrique, desserrez les vis imperdables qui fixent la carte au panneau arrière du système et tirez sur les prises à l'arrière de la carte jusqu'à ce que celle-ci soit complètement sortie du connecteur.

Calcul des besoins électriques de votre système

La configuration minimum du serveur Sun Enterprise 450 comporte désormais deux blocs d'alimentation qui fournissent suffisamment d'électricité pour toutes les configurations prises en charge.

Remarque – Si la configuration de votre système nécessite une alimentation redondante, vous devrez certainement ajouter un troisième bloc d'alimentation.

Tableau des besoins électriques du système

Les informations qui suivent complètent celles de la section “Calcul des besoins électriques de votre système” du *Guide du propriétaire Ultra Enterprise 450 Server*. Reportez-vous au tableau suivant pour effectuer les calculs des besoins en électricité, si vous installez l’un des composants suivants.

- Module processeur à 480 MHz avec 8 Mo de mémoire cache E
- Module processeur à 400 MHz avec 4 Mo de mémoire cache E
- Lecteur de disque SunCD™ 32
- Disque numérique (DVD ROM)
- Lecteur de disque dur 18 Go
- Lecteur de disque dur 36 Go
- Lecteur de bande DDS4

N° ligne	Option	Qté	+3.3 (en CC) Ampérage	Ampérage total à 3,3 V	+5 (en CC) Ampérage	Ampérage totale	+12 (en CC) Ampérage	Ampérage total à 12 V
Options de processeur								
	Processeur à 480 MHz avec 8 Mo de mémoire cache E et un convertisseur continu/continu		7,5		6,7			
	Processeur à 400 MHz avec 4 Mo de mémoire cache E et un convertisseur continu/continu		5,0		5,6			
Options de périphérique de stockage externe								
	Lecteur de disque SunCD 32				0,55		0,61	
	Disque numérique (DVD ROM)				0,42		0,51	
	Lecteur de disque dur 18 Go				0,8		0,5	
	Lecteur de disque dur 36 Go				0,8		0,5	
	Lecteur de bande DDS4				0,9		0,5	

Fonction de verrouillage de mémoire des blocs d'alimentation

Les blocs d'alimentation du serveur Sun Enterprise 450 possèdent une fonction de verrouillage de mémoire qui leur permet de se "rappeler" de l'état (on/off) dans lequel ils se trouvaient lors d'une coupure de courant ou du retrait du cordon d'alimentation CA de la prise. Cette caractéristique permet à un bloc de reprendre automatiquement son fonctionnement au retour du courant. Elle permet également l'échange à chaud des blocs d'alimentation.

Dans certaines circonstances, il peut arriver que cette fonctionnalité soit assimilée par méprise à une coupure de courant. En effet, si vous retirez un bloc d'alimentation d'un système hors tension et l'installez à chaud dans un système sous tension, il restera à l'état Off (hors tension), mais ceci ne doit en aucun cas être interprété comme une coupure de courant. Pour mettre sous tension le bloc d'alimentation, il suffit de tourner l'interrupteur à clé qui se trouve sur le panneau avant de la position Power-On à la position Diagnostics et de nouveau sur la position Power-On. Vous pouvez aussi appuyer sur la touche Power-On sur un clavier Sun Type-5 rattaché au système.

Configuration logicielle requise

Le serveur Sun Enterprise 450 nécessite Solaris 2.5.1 Hardware: 11/97, Solaris 2.6 Hardware: 5/98, Solaris 7, 8 ou une version ultérieure compatible de Solaris. Pour vérifier qu'une version adéquate de l'environnement d'exploitation est installée sur votre serveur Sun Enterprise 450, examinez le fichier `/etc/release`. Ce fichier devrait, par exemple, contenir le texte "Solaris 2.5.1 Hardware: 11/97" ou indiquer une version ultérieure compatible de Solaris.

Pour de plus amples informations concernant la compatibilité des programmes, lisez la Publication Sun, *Installation du logiciel Solaris sur des matériels sélectionnés* (806-4005), fournie avec le CD-ROM d'installation de l'environnement d'exploitation.

Le cas échéant, vous pouvez vous procurer les patches nécessaires pour votre version de Solaris sur le site Web SunSolve Online à l'adresse suivante :

<http://sunsolve.Sun.COM/>

Unités SPARCstorage Multipack

Il existe un problème de compatibilité entre les cartes de contrôleur SCSI PCI intégrées ou ajoutées au serveur Sun Enterprise 450 et certaines unités Fast/Wide SCSI SPARCstorage™ MultiPack (SMP) anciennes qui peuvent comprendre des lecteurs de type UltraSCSI (Fast-20). Les cartes de contrôleur des serveurs Sun Enterprise 450 passent par défaut au fonctionnement UltraSCSI en présence de périphériques UltraSCSI, mais certaines unités SPARCstorage MultiPack (versions 6 et 12 lecteurs) ne prennent pas en charge le fonctionnement UltraSCSI. L'utilisation d'une telle configuration peut entraîner une détérioration des performances du bus SCSI et faire paniquer le système.

Que faire : avant d'utiliser cette configuration, désactivez le mode UltraSCSI sur tous les contrôleurs auxquels est connecté un SMP. Pour plus d'informations, reportez-vous aux pages de manuel `pci(4)`, `glm(7D)` et `isp(7D)`.

Remarque – L'autre solution qui consiste à effectuer un changement d'option SCSI global par le biais de `/etc/system` causerait la perte du mode UltraSCSI sur les fonds de panier de disques système internes.

Ce problème ne se présente pas avec les systèmes SPARCstorage MultiPack 2 à 6 lecteurs, qui peuvent fournir des performances de niveau UltraSCSI.

Caractéristiques techniques liées à l'environnement

Les informations suivantes viennent compléter la section consacrée aux caractéristiques liées à l'environnement de l'annexe B "Spécifications techniques du système" de la version anglaise du *Guide du propriétaire du serveur Ultra Enterprise 450* (805-0429-10).

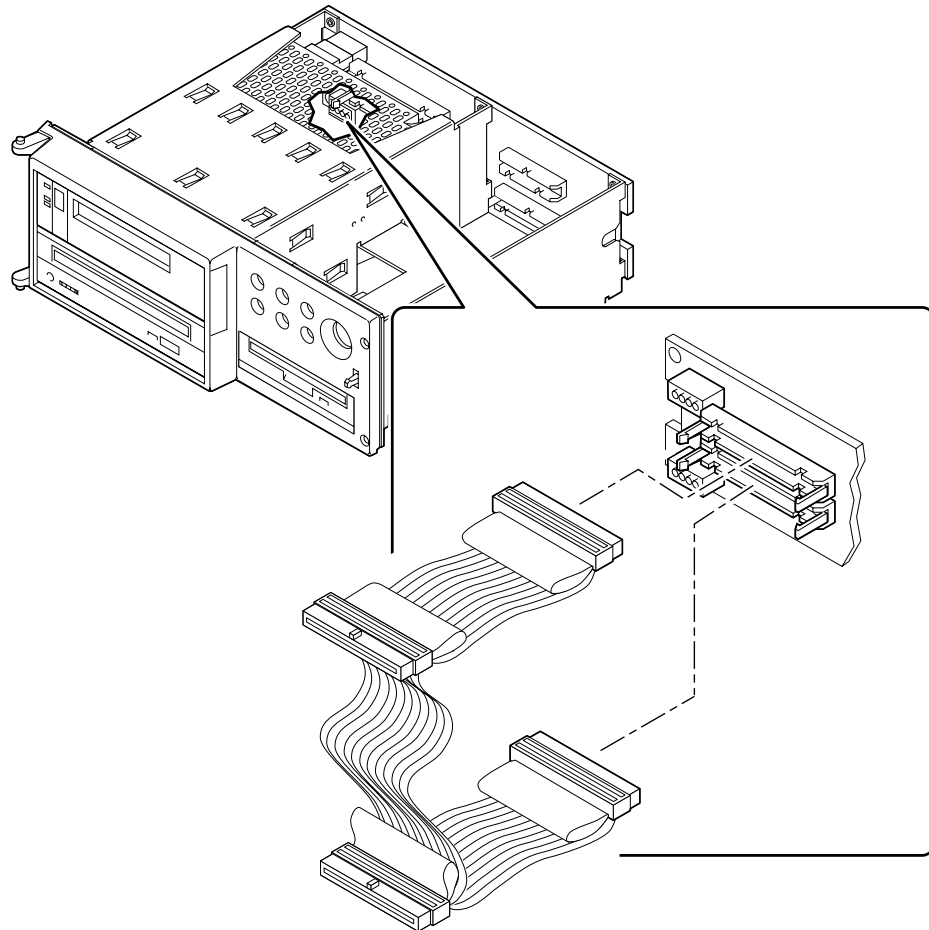
Paramètre	Valeur
En fonctionnement	
Température	De 5° C à 40° C ¹ (de 41° F à 95° F)—IEC 68-2-1, 68-2-2
Altitude	De 0 à 3000 mètres (de 0 à 10 000 pieds)—IEC 68-2-40, 68-2-41

1. Si un ou plusieurs modules processeur à 400 MHz sont installés, au-dessus de 1500 mètres (5000 pieds), la température ambiante maximum supportée diminue à partir de 40° C (95° F) de 0,8° C (1,44° F) tous les 304,8 mètres (1000 pieds) jusqu'à 3000 mètres (10 000 pieds).

Installation du câble de données d'un lecteur SCSI

Les explications fournies dans le *Guide du propriétaire du serveur Ultra Enterprise 450* et l'application *ShowMe How Multimedia* concernant l'installation du câble de données du lecteur SCSI pour un support amovible sont erronées. Suivant les procédures décrites, les connecteurs situés à chaque extrémité du câble sont connectés aux périphériques SCSI et les deux connecteurs situés au milieu du câble sont raccordés au panneau arrière du support amovible. Ces procédures sont incorrectes.

Pour une installation correcte du câble, les deux extrémités libres de ce dernier doivent être raccordées au panneau arrière du support amovible, comme illustré ci-dessous.



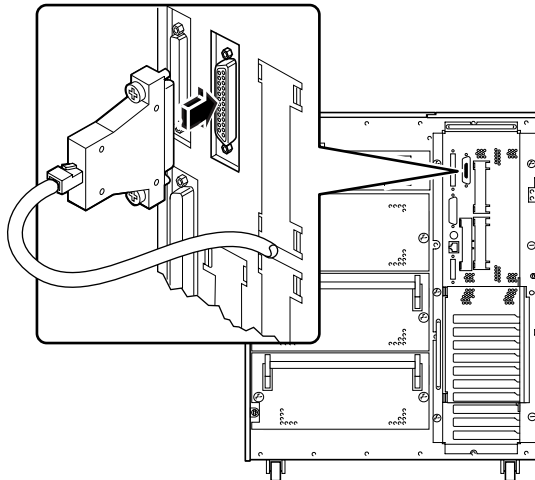
Reportez-vous à l'illustration ci-dessus lorsque vous exécutez les procédures suivantes, décrites dans le *Guide du propriétaire du serveur Ultra Enterprise 450 Server*, et les procédures correspondantes dans l'application *ShowMe How Multimedia* :

- “Comment retirer le panneau arrière du support amovible”
- “Comment installer le panneau arrière du support amovible”
- “Comment retirer un lecteur de CD-ROM ou un lecteur de bande”
- “Comment installer un lecteur de CD-ROM ou un lecteur de bande”
- “Comment retirer le câble de données du lecteur SCSI”
- “Comment installer le câble de données du lecteur SCSI”

Remarque – Aucun effet négatif ne vient entraver le fonctionnement ou les performances du système si le câble a été installé suivant les instructions initiales fournies dans le *Guide du propriétaire du serveur Ultra Enterprise 450* et l'application *ShowMe How Multimedia*. Cependant, son installation est plus simple et sans risque de dommage lorsqu'elle s'effectue à partir des instructions fournies dans ce document.

Connexion d'un terminal alphanumérique

L'illustration qui se trouve dans le *Guide du propriétaire Ultra Enterprise 450 Server* indique de façon erronée l'emplacement du connecteur du port série sur le panneau arrière du serveur. L'emplacement correct est indiqué ci-après.



Montage en armoire du serveur Sun Enterprise 450

Un kit permettant d'installer un Sun Enterprise 450 dans une armoire standard de 19 pouces selon EIA est disponible. Pour plus d'informations, contactez votre représentant Sun.

Les informations sur le montage en armoire du serveur Sun Enterprise 450 sont disponibles sur le Web à l'adresse suivante :

<http://docs.sun.com>

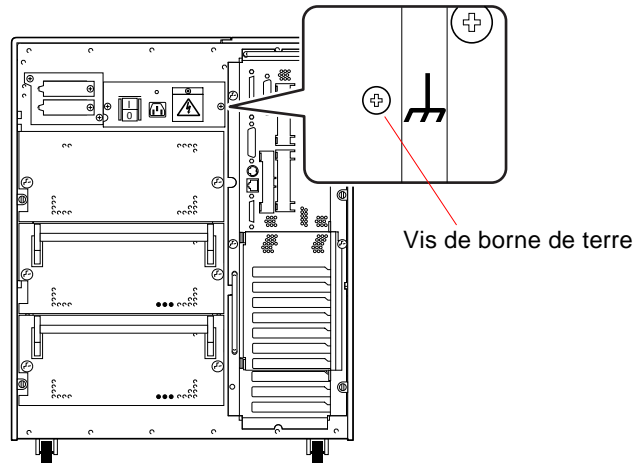
Cliquez sur "Mémoire et périphériques" dans la section Matériel et ouvrez *Rackmount Placement Matrix*.

Remarque – Avant d'installer le serveur Sun Enterprise 450 dans un élément d'extension Sun Enterprise, veillez à retirer la plaque qui se trouve en bas à l'arrière de cet élément. Cette opération vous permettra de loger deux serveurs Sun Enterprise 450 à l'intérieur. Pour plus d'informations, reportez-vous à la documentation qui accompagne cet élément.

Connexion de périphériques montés en armoire

Lorsque que vous connectez un serveur deskside Sun Enterprise 450 à un périphérique monté dans une armoire quelconque, veillez à connecter un ruban antistatique entre le serveur et l'armoire. Ce ruban évitera toute boucle de mise à la terre entre les deux systèmes et les protégera contre les pertes de données.

En général, un ruban antistatique est fourni avec l'armoire. Fixez l'une des extrémités du ruban au point indiqué sur l'armoire, selon les instructions fournies avec cette dernière. Fixez ensuite l'autre extrémité à la vis de borne de terre du serveur Sun Enterprise 450, comme indiqué sur la figure suivante. Veillez à bien serrer cette vis pour assurer une bonne connexion.



Attention – La vis de borne de terre du serveur Sun Enterprise 450 est un composant clé pour ce qui est de la protection contre les décharges électriques en cas de défaillance électrique du système. Ne pas remettre en place ou ne pas serrer à fond cette vis peut créer des conditions dangereuses.

Compatibilité électromagnétique

Le système serveur Sun Enterprise 450 répond aux spécifications de la Classe B en ce qui concerne les interférences électromagnétiques (EMI) et est donc conforme aux normes internationales. Certaines de ces normes figurent dans la “Declaration of Conformity” “Regulatory Compliance Statements” au début de guide.



Attention – Lisez attentivement les sections relatives à la classe A dans la section “Regulatory Compliance Statements” au début de ce guide. En effet, plusieurs mesures peuvent être prises afin de remédier aux problèmes d’interférences électromagnétiques. Pour de plus amples détails, consultez la Notice FCC Classe B dans “Regulatory Compliance Statements.”

Assemblage de ventilation supérieur

L'assemblage de ventilation supérieur (n° de référence 540-3023) ne fait plus partie du serveur Sun Enterprise 450 ; or, on assume dans les opérations du *Guide du propriétaire Ultra Enterprise 450 Server* et de l'application multimédia *ShowMe How Multimedia* que cette pièce est présente. Dans toutes les opérations impliquant le retrait de la carte logique principale, les instructions indiquent de déconnecter le câble du ventilateur supérieur de la carte logique principale avant de retirer la carte. Etant donné que votre système ne comporte pas d'assemblage de ce type, vous pouvez tout simplement ignorer cette étape.

Verrouillage électrique

Le serveur Sun Enterprise 450 dispose d'un mécanisme de verrouillage électrique de sécurité. Le retrait de l'un des panneaux latéraux du système active des commutateurs de verrouillage électrique. Ce mécanisme de sécurité empêche les tensions c.c. d'atteindre les composants internes lorsque l'un des panneaux latéraux est retiré et que le courant alternatif passe. Ne retirez en aucun cas l'un des panneaux latéraux pendant le fonctionnement du système car ce dernier s'arrêterait brusquement.

Tableau des pièces de rechange

Les informations suivantes viennent compléter le tableau fourni dans le *Guide du propriétaire du serveur Ultra Enterprise 450*.

Remarque – Les numéros de référence indiqués dans cette section sont exacts à la date de publication de ces remarques, mais ils peuvent être modifiés sans notification préalable. Consultez votre revendeur Sun agréé ou votre prestataire de services pour confirmer les numéros de référence avant de commander des pièces de rechange.

Catégorie	Pièce de rechange	Numéro de référence
Carte logique principale et composants	Carte logique principale, 250 et 300 MHz	501-5270
	Carte logique principale, 400 MHz	501-5672
	Carte logique principale, 480 MHz	501-5673
	DIMM, 256 Mo, 60 NS	501-4743
	Processeur UltraSPARC II (250 MHz, 1 Mo de mémoire cache E)	501-4857
	Processeur UltraSPARC II (300 MHz, 2 Mo de mémoire cache E)	501-4849
	Processeur UltraSPARC II CPU (400 MHz, 4 Mo de mémoire cache E)	501-5239
	Processeur UltraSPARC II CPU (480 MHz, 8 Mo de mémoire cache E)	501-5729
Panneaux arrières	Panneau arrière UltraSCSI à 8 emplacements	501-5274
Périphériques de stockage	Lecteur de CD-ROM SunCD 32	370-3416
	Lecteur de DVD ROM	390-0025
	Lecteur de disque UltraSCSI 9 Go, 7200 tr/min	501-3704
	Lecteur de disque UltraSCSI 18 Go	540-4177
	Lecteur de disque UltraSCSI 36 Go	540-4521
	Lecteur de bande DDS4	390-0028
Câbles internes	Câble d'interface DEL	530-2363 ¹

1. Remplace 530-2362

Sun Enterprise 450 Server

Produktionhinweise

In diesen Produktionshinweisen finden Sie neueste Informationen, die nicht in der System- bzw. der Multimedia-Dokumentation zu den Sun Enterprise™ 450 enthalten sind. Die folgenden Themen werden im vorliegenden Handbuch erläutert:

- “Überprüfen des Supports für CPU-Module mit 480 MHz” auf Seite 2
- “Identifizieren der Image-Version der OpenBoot Firmware” auf Seite 3
- “Identifizieren von UltraSPARC II CPU- Modulen” auf Seite 4
- “Konfigurieren der CPU-Module” auf Seite 5
- “Aus- oder Einbau eines CPU-Moduls” auf Seite 5
- “Ausbauen und Austauschen des CPU-Lüftungsgitters” auf Seite 6
- “Jumper auf der Hauptplatine” auf Seite 12
- “Öffnen und Schließen der Klappe für entnehmbare Datenträger” auf Seite 14
- “Ausbauen bzw. Einbauen des NVRAM-Moduls” auf Seite 15
- “Bestimmen des Leistungsbedarfs für die Stromversorgung” auf Seite 15
- “Memory-Latch-Funktion der Stromversorgung” auf Seite 17
- “System-Softwareanforderungen” auf Seite 17
- “SPARCstorage MultiPack-Module” auf Seite 18
- “Umweltanforderungen” auf Seite 18
- “Installieren des Datenkabels für das SCSI- Laufwerk” auf Seite 19
- “Anschließen eines alphanumerischen Terminals” auf Seite 20
- “Gestellmontage des Sun Enterprise 450 Server” auf Seite 21
- “Anschließen von Peripheriegeräten in Gestellen” auf Seite 21
- “Elektromagnetische Verträglichkeit” auf Seite 22
- “Oberer Lüfter” auf Seite 23
- “Verriegelung der Stromversorgung” auf Seite 23
- “Aufschlüsselung der abgebildeten Teile” auf Seite 24

Überprüfen des Supports für CPU-Module mit 480 MHz

Ob der Server die 480-MHz-CPU-Module unterstützt, kontrollieren Sie mit einem UNIX[®]-Kommando oder nach der Eingabeaufforderung `ok`.

Von einer Konsole oder in einer Kommandozeile:

Geben Sie nach der UNIX-Eingabeaufforderung folgendes Kommando ein:

```
% /usr/sbin/prtconf -pv | grep "501-5673"
```

Wenn die Nummer 501-5673 zurückgegeben wird, fahren Sie mit Abschnitt "Identifizieren von UltraSPARC II CPU- Modulen" auf Seite 4 in diesem Handbuch fort.

Wird keine Nummer zurückgegeben, weist die Hauptplatine nicht die Teilenummer 501-5673 auf, und Sie können das neue UltraSPARC II CPU-Modul mit 480-MHz nicht in die zur Zeit installierte Hauptplatine einbauen. Bestellen Sie bei Ihrem Sun[™]-Vertriebsbeauftragten ein Upgrade für die Hauptplatine. Installationsanweisungen für Hauptplatine und CPU-Module finden Sie im *Sun Enterprise 450 Server Board Upgrade Guide*.

Wenn die Eingabeaufforderung `ok` angezeigt wird:

1. Geben Sie folgendes Kommando ein:

```
ok cd /
```

2. Geben Sie folgendes Kommando ein, um eine Liste mit Systemdaten aufzurufen:

```
ok .prp
```

Überprüfen Sie in der ausgegebenen Liste die Eigenschaft `model`. Wenn die Hauptplatine nicht die Teilenummer 501-5673 aufweist oder keine Teilenummern aufgelistet sind, können Sie das neue UltraSPARC II 480-MHz CPU-Modul nicht installieren. Bestellen Sie bei Ihrem Sun[™]-Vertriebsbeauftragten gegebenenfalls ein Upgrade für die Hauptplatine. Anweisungen zur Installation der Platine und der CPU-Module finden Sie im *Sun Enterprise 450 Server Board Upgrade Guide*.

Wenn die Nummer 501-5673 lautet, fahren Sie mit dem Abschnitt "Identifizieren von UltraSPARC II CPU- Modulen" auf Seite 4 in diesem Handbuch fort.

Identifizieren der Image-Version der OpenBoot Firmware

Um zu überprüfen, ob der Server die CPU-Module für 480 MHz unterstützt, verwenden Sie einen UNIX[®]-Kommando oder geben nach der Eingabeaufforderung `ok` ein Kommando ein.

An einer UNIX-Konsole oder in einem Kommandofenster:

- Geben Sie nach der UNIX-Eingabeaufforderung folgendes Kommando ein:

```
% /usr/sbin/prtconf -v | grep OBP
```

Nach der Eingabeaufforderung `ok`:

- Geben Sie nach der Eingabeaufforderung `ok` folgendes Kommando ein:

```
ok .version
```

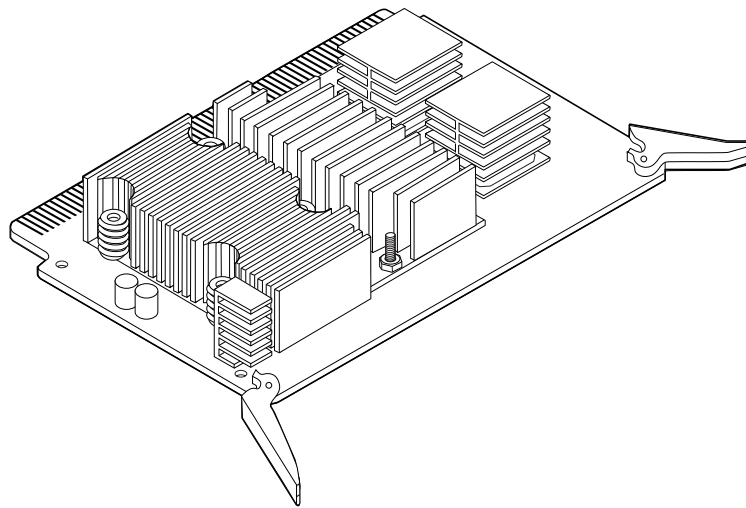
Wird als Version die Version 3.18 oder höher zurückgegeben, unterstützt Ihre Firmware die schnelleren Module. Weitere Informationen dazu finden Sie im Abschnitt "Überprüfen des Supports für CPU-Module mit 480 MHz" auf Seite 2. Ist die zurückgegebene Version niedriger als 3.18, müssen Sie einen Flash-Update der OpenBoot[™]-Firmware durchführen.

Informationen zu einem Flash-Update Ihrer Firmware finden Sie auf der Website von SunSolve Online[™] unter URL <http://sunsolve.sun.com>.

Melden Sie sich zur Durchführung eines Flash-Updates auf der Webseite von SunSolve Online[™] an. Klicken Sie auf "Patches" und auf der nächsten Seite auf "Find Patch", suchen Sie nach Patchnummer 106503 und richten Sie sich nach den Anweisungen auf dem Bildschirm.

Identifizieren von UltraSPARC II CPU-Modulen

Der Sun Enterprise 450-Server unterstützt jeweils bis zu vier CPU-Module mit 250 MHz, 300 MHz, 400 MHz oder 480 MHz für UltraSPARC II. Die folgende Abbildung zeigt das neue UltraSPARC II-CPU-Modul mit 480 MHz und 8 MB integriertem Cache (ohne Abdeckung).



Bevor Sie ein CPU-Modul einbauen, überprüfen Sie, ob es sich bei dem Modul um eines der folgenden UltraSPARC II-Module für Sun Enterprise 450-Server handelt. In der folgenden Tabelle sind die Taktfrequenzen der verschiedenen CPU-Module aufgeführt.

Taktfrequenz des CPU-Moduls (MHz)	Teilenummer
250 MHz UltraSPARC II	501-4857 oder 501-4278
300 MHz UltraSPARC II	501-4849 oder 501-4196
400 MHz UltraSPARC II	501-5239 oder 501-5446
480 MHz UltraSPARC II	501-5729

Konfigurieren der CPU-Module

Bevor Sie neue CPU-Module einbauen, müssen Sie ermitteln, ob das System den Leistungsbedarf der neuen Konfiguration abdecken kann. Schlagen Sie dazu im "Datenblatt mit dem Systemleistungsbedarf" auf Seite 16 in diesem Handbuch und im Abschnitt "Bestimmen der System-Leistungsaufnahme" in der *Ultra Enterprise 450-Server Benutzeranleitung* nach.



Vorsicht – Alle in einem System installierten CPUs müssen mit derselben Taktfrequenz arbeiten.

Konfigurieren Sie die UltraSPARC II-CPU-Module im Server gemäß den Regeln, die im Abschnitt "Informationen über CPU-Module" im *Ultra Enterprise 450-Server Benutzerhandbuch* erläutert sind.

Wenn das System mit zwei Netzteilen ausgestattet ist und Sie kein redundantes Netzteil benötigen, verfahren Sie nach den Anweisungen in "Aus- oder Einbau eines CPU-Moduls"

Aus- oder Einbau eines CPU-Moduls

Lesen Sie vor dem Aus- oder Einbau eines CPU-Moduls den Abschnitt "Informationen über CPU-Module" in der *Ultra Enterprise 450 Server Benutzeranleitung*.



Vorsicht – Lesen Sie vor dem Einbau eines CPU-Moduls den Abschnitt "Jumper auf der Hauptplatine" auf Seite 12 in dieser Anleitung und kontrollieren Sie, ob die Jumper-Einstellung der Taktfrequenz der CPU-Module entspricht, die Sie installieren. Wenn die Jumper auf der Hauptplatine falsch eingestellt sind, kann das gesamte System schwer beschädigt werden.

Richten Sie sich beim Aus- oder Einbau von CPU-Modulen in den Sun Enterprise 450 Server nach den Anweisungen in den Abschnitten "Ausbauen von CPU-Modulen" und "Installieren eines CPU-Moduls" in der *Ultra Enterprise 450 Server Benutzeranleitung*.

Hinweis – Das 480 MHz CPU-Modul erfordert zur ausreichenden Kühlung ein CPU-Lüftungsgitter. Anweisungen zum Ein- und Ausbau des Lüftungsgitters finden Sie unter "Ausbauen und Austauschen des CPU-Lüftungsgitters" auf Seite 6.

Hinweis – Entfernen Sie das ggf. montierte blanke Luftleitblech vom Steckverbinder (J0101), bevor Sie das vierte CPU-Modul in den oberen CPU-Steckplatz (CPU-A1) einsetzen. Erfassen Sie das blanke Luftleitblech am vorderen Griff und ziehen Sie es aus dem CPU-Steckplatz heraus.

Ausbauen und Austauschen des CPU-Lüftungsgitters

Auf allen Hauptplatinen 501-5673 ist ein Lüftungsgitter montiert. In den folgenden Abschnitten wird beschrieben, wie das CPU-Lüftungsgitter ausgebaut und ersetzt wird.



Vorsicht – Das Lüftungsgitter wird zur ordnungsgemäßen Kühlung unbedingt benötigt. Starten Sie das System nicht ohne montiertes Lüftungsgitter.

Ausbauen des CPU-Lüftungsgitters

Vor dem Ausbau oder Einbau des CPU-Modules muss das Lüftungsgitter ausgebaut werden.



Vorsicht – Diese Arbeit muss durch eine zugelassene Servicewerkstatt erfolgen. Personen, die die äußeren Verkleidungen abbauen, um Zugang zu dem Gerät zu erhalten, müssen alle Sicherheitsvorschriften beachten, die vorgeschriebenen Qualifikationen und Zertifizierungen besitzen und alle geltenden lokalen und nationalen Gesetze einhalten.

Arbeitsvorbereitung

Vor Beginn der Arbeiten müssen folgende in der *Ultra Enterprise 450 Server Benutzeranleitung* beschriebenen Maßnahmen durchgeführt sein:

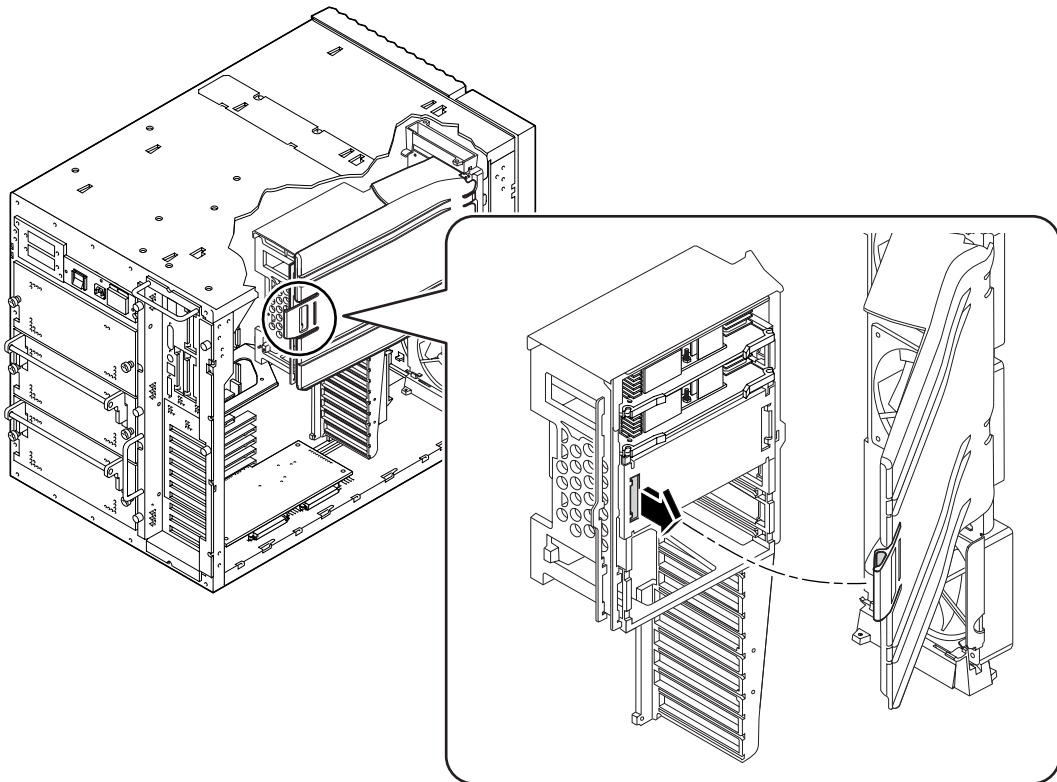
- “Abschalten des Systems”
- “Abnehmen der linken Seitenabdeckung”
- “Vermeidung von elektrostatischen Entladungen”

Erster Schritt

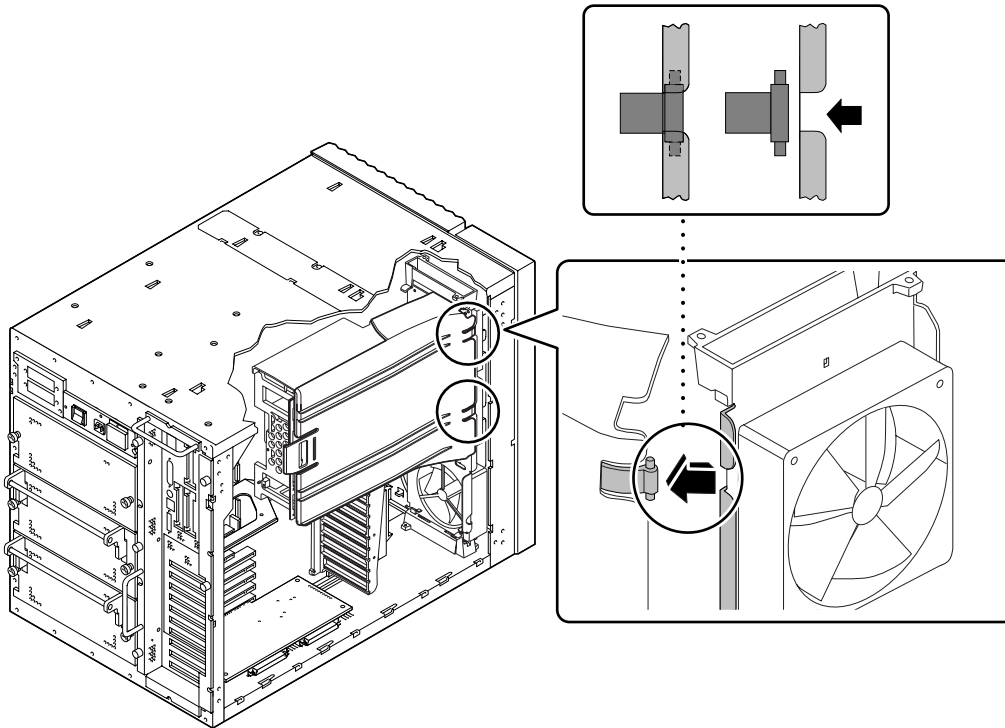
Gehen Sie beim Ausbau des CPU-Lüftungsgitters wie folgt vor:

- 1. Ziehen Sie vorsichtig die Verriegelung auf der linken Seite nach vorn und klappen Sie das Lüftungsgitter heraus.**

Die Verriegelung des Lüftungsgitters sollte aus ihrer Rastung in der Y-Schelle der Hauptplatine herauspringen.



- 2. Haken Sie die Arretierstifte des Lüftungsgitters aus dem CPU-Lüftereinschub aus.**
Schieben Sie das Lüftungsgitter zur Vorderseite des Gehäuses, bis es sich aus dem CPU-Lüftereinschub herausnehmen lässt.



Nächster Schritt

Richten Sie sich beim Ein- und Ausbau von CPU-Modulen nach den Anweisungen “Aus- oder Einbau eines CPU-Moduls” auf Seite 5 und den Einbau- und Ausbauanweisungen in der *Ultra Enterprise 450 Server Benutzeranleitung*.

Zum Austausch des CPU-Lüftungsgitters richten Sie sich nach:

- “Austausch des CPU-Lüftungsgitters” auf Seite 9

Austausch des CPU-Lüftungsgitters



Vorsicht – Das Lüftungsgitter ist zur ordnungsgemäßen Systemkühlung unbedingt erforderlich. Starten Sie das System nicht ohne montiertes Lüftungsgitter.



Vorsicht – Diese Arbeit muss durch eine zugelassene Servicewerkstatt erfolgen. Personen, die die äußeren Verkleidungen abbauen, um Zugang zu dem Gerät zu erhalten, müssen alle Sicherheitsvorschriften beachten, die vorgeschriebenen Qualifikationen und Zertifizierungen besitzen und alle geltenden lokalen und nationalen Gesetze einhalten.

Arbeitsvorbereitung

Vor Beginn der Arbeiten müssen die in der *Ultra Enterprise 450 Server Benutzeranleitung* beschriebenen Maßnahmen durchgeführt sein:

- “Abschalten des Systems”
- “Abnehmen der linken Seitenabdeckung”
- “Vermeidung von elektrostatischen Entladungen”

Zusätzlich ist folgender Arbeitsschritt auszuführen:

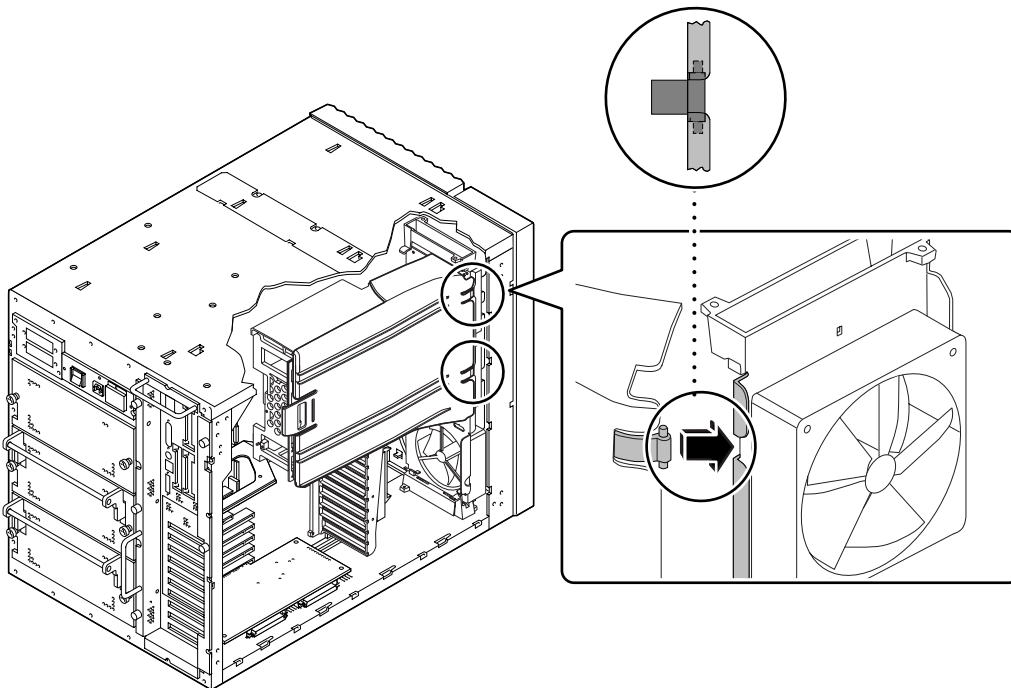
- “Ausbauen des CPU-Lüftungsgitters” auf Seite 6 dieses Dokuments.

Erster Schritt

Gehen Sie beim Ausbau des CPU-Lüftungsgitters wie folgt vor:

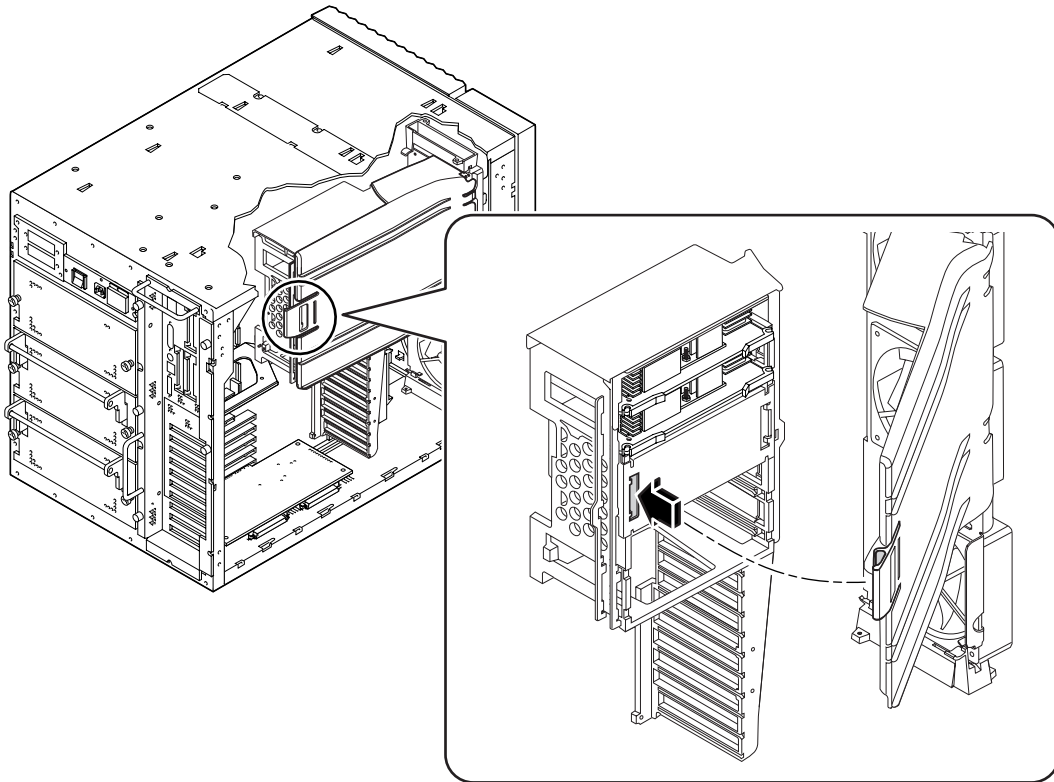
1. **Hängen Sie die Arretierstifte des Lüftungsgitters unter den Schlitten des CPU-Lüftereinschubs aus.**

Das Lüftungsgitter muss zur Seite geschwenkt werden, damit genug Platz zum Aushängen der Stifte aus den Schlitten des CPU-Lüftereinschubs ist.



2. **Schieben Sie das Lüftungsgitter zur Rückseite des Chassis, bis die Stifte des Lüftungsgitters in dem CPU-Lüftereinschub einrasten.**

3. Schwenken Sie das Lüftungsgitter zur Y-Schelle der Hauptplatine und lassen Sie die Arretierung einrasten.



Nächster Schritt

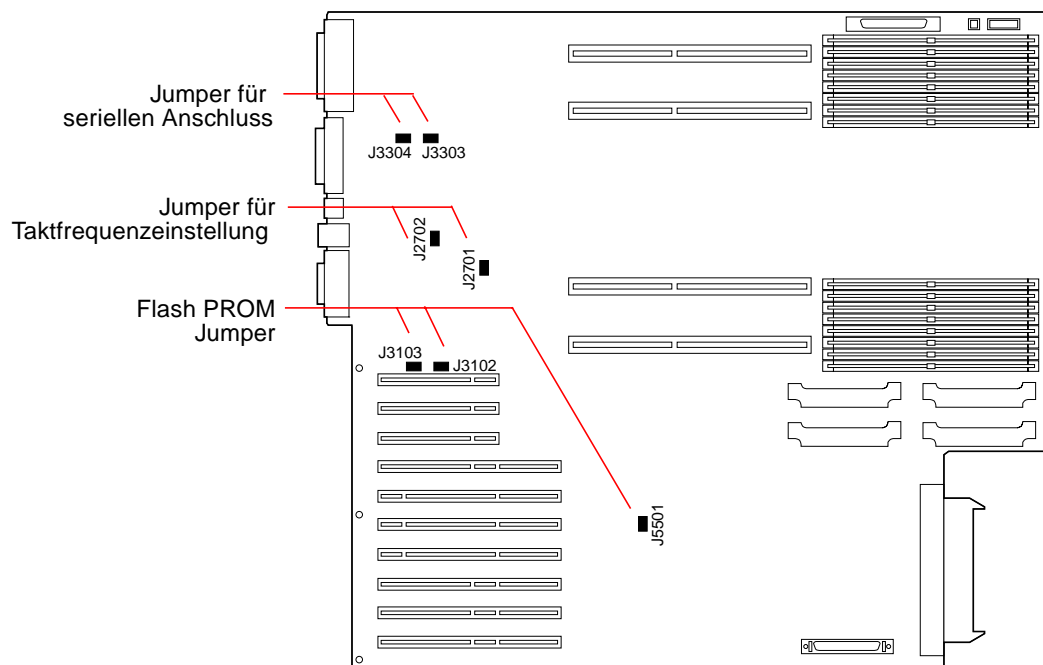
Hinweise zum Zusammenbau und zum Neustart des Systems finden Sie in der *Ultra Enterprise 450 Server Benutzeranleitung*.

Jumper auf der Hauptplatine

Die folgenden Informationen ersetzen die Informationen über die Jumper der Hauptplatine in der *Ultra Enterprise 450 Server Benutzeranleitung*.

Hinweis – Anders als in der Tabelle des Kapitels “Informationen über die Jumper zur Taktfrequenzauswahl” angegeben werden jetzt zur Auswahl der Taktfrequenz auf der Hauptplatine (501-5673) des Sun Enterprise 450 Servers die Jumper J2701 und J2702 verwendet.

Die folgende Abbildung zeigt die Anordnung der Jumper zur Auswahl der Taktfrequenz auf der Hauptplatine.



Setzen Sie den Jumper für die Taktfrequenz an den Adressen J2701 und J2702 auf die Taktfrequenz der CPU-Module des UltraSPARC II ein. Überprüfen Sie die korrekte JumperEinstellung, bevor Sie das System einschalten.

Taktfrequenz	J2701	J2702
250 MHz	1 + 2	2 + 3
300 MHz	1 + 2	2 + 3
400 MHz	2 + 3	2 + 3
480 MHz	2 + 3	1 + 2

Die Angaben zu den Einstellungen der drei Flash-PROM-Jumper in der Tabelle stimmen nicht. Entnehmen Sie die richtigen Einstellungen der folgenden Tabelle.

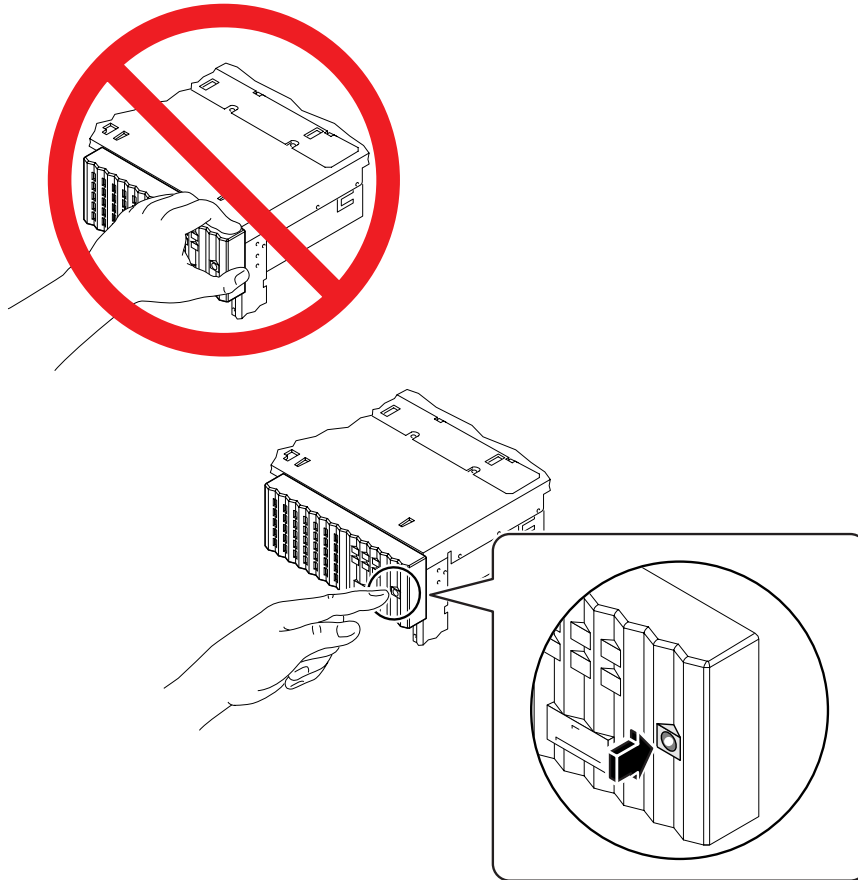
Jumper	Brücke an Stift 1 + 2 zur Auswahl von:	Brücke an Stift 2 + 3 zur Auswahl von:	Standard- brücke an Stift	Gesteuertes Signal
J3102	Flash PROM	Nicht verwenden	1 + 2	FLASH PROM SEL
J3103	Write Protect	Write Enable	2 + 3	FLASH PROM PROG ENABLE
J5501	Start obere Hälfte	Normaler Neustart	2 + 3	XOR LOGIC SET

Öffnen und Schließen der Klappe für entnehmbare Datenträger

Drücken Sie die Taste an der rechten Seite der Klappe, um die Klappe für entnehmbare Datenträger zu öffnen.



Vorsicht – Ziehen Sie nicht an der Klappe für entnehmbare Datenträger. Dadurch kann die Arretierung brechen.



Drücken Sie die Taste an der rechten Seite der Klappe, um die Klappe für entnehmbare Datenträger zu schließen.

Ausbauen bzw. Einbauen des NVRAM-Moduls



Vorsicht – Vor dem Aus- oder Einbau eines NVRAM-Moduls auf der Hauptplatine muss der Stromversorgungsstecker von der Hauptplatine abgezogen werden, sonst können in dem NVRAM-Modul gespeicherte Daten beschädigt und die Funktionen des System beeinträchtigt werden. Lösen Sie die Befestigungsschrauben, die die Hauptplatine an der Rückseite des Gehäuses halten, und ziehen Sie an den Griffen an der Rückseite der Platine, bis die Hauptplatine ganz aus dem Steckverbinder der Stromversorgung gelöst ist.

Bestimmen des Leistungsbedarfs für die Stromversorgung

Die Mindestkonfiguration für Sun Enterprise 450 Server enthält jetzt zwei Stromversorgungsmodule, die für alle unterstützten Konfigurationen genügend Leistungsreserve besitzen.

Hinweis – Falls Ihre Systemkonfiguration eine zusätzliche Leistungsreserve erfordert, muss eventuell ein drittes Stromversorgungsmodul ergänzt werden.

Datenblatt mit dem Systemleistungsbedarf

Die folgenden Informationen sind eine Ergänzung zu dem Abschnitt "Datenblatt mit dem Systemleistungsbedarf" in der *Ultra Enterprise 450 Server Benutzeranleitung*. Bei Installation einer der folgenden Komponenten ist zur Berechnung des Leistungsbedarfs die folgende Tabelle heranzuziehen:

- 480 MHz CPU-Modul mit 8 MB Ecache
- 400-MHz CPU-Modul mit 4 MB Ecache
- SunCD™ 32 CD-ROM
- DVD-ROM
- 18 GB Festplattenlaufwerk
- 36 GB Festplattenlaufwerk
- DDS4 Bandlaufwerk

Lei- tung Nr.	Option	Stk	Strom in A bei +3.3 V-	Gesamt- strom in A bei 3,3 V	Strom in A bei +5 V-	Gesamt- strom in A bei 5 V	Strom in A bei +12 V-	Gesamt- strom in A bei 12 V
CPU-Optionen								
	480 MHz CPU mit 8 MB Ecache und DC/DC Konverter		7,5		6,7			
	400 MHz CPU mit 4 MB Ecache und DC/DC Konverter		5,0		5,6			
Optionen für interne Speichergeräte								
	SunCD 32 CD-ROM				0,55		0,61	
	DVD-ROM				0,42		0,51	
	18 GB Festplattenlaufwerk				0,8		0,5	
	36 GB Festplattenlaufwerk				0,8		0,5	
	DDS4 Bandlaufwerk				0,9		0,5	

Memory-Latch-Funktion der Stromversorgung

Die Stromversorgung des Sun Enterprise 450 besitzt eine Memory-Latch-Funktion, mit der sich die Stromversorgung "merkt", ob sie bei dem letzten Ausfall der Netzspannung oder Betriebsspannung ein- oder ausgeschaltet war. Dank dieser Funktion kann die Stromversorgung den Betrieb automatisch wieder aufnehmen, sobald die Netzspannung wieder anliegt. Außerdem ist so ein Hot-Swapping der Stromversorgungsmodule möglich.

Unter bestimmten Umständen kann diese Funktion fälschlich als Ausfall der Stromversorgung interpretiert werden. Wird eine Stromversorgung von einem abgeschalteten System getrennt und eine Hot-Plug-Installation in einem eingeschalteten System versucht, bleibt die Stromversorgung ausgeschaltet. Dieses Verhalten sollte nicht als Defekt der Stromversorgung interpretiert werden. Um die Stromversorgung zu aktivieren, drehen Sie einfach den Schlüsselschalter an der Vorderseite aus der Stellung "Gerät Ein" in die Stellung "Diagnose" und dann zurück in die Stellung "Gerät Ein". Alternativ können Sie auch die Einschalttaste bei einer Sun-Tastatur Typ-5 drücken, die mit dem System verbunden ist.

System-Softwareanforderungen

Der Sun Enterprise 450 Server benötigt Solaris 2.5.1 Hardware: 11/97, Solaris 2.6 Hardware: 5/98, Solaris 7, Solaris 8 oder eine kompatible Folgeversion von Solaris. Um zu prüfen, ob die richtige Version der Betriebsumgebung auf dem Sun Enterprise 450 Server installiert ist, kontrollieren Sie den Inhalt der Datei `/etc/release`. Die Datei sollte u.a. den Text "Solaris 2.5.1 Hardware: 11/97" oder einen Verweis auf eine höhere, kompatible Version von Solaris enthalten.

Weitere Informationen über die Kompatibilität der Software finden Sie in der Sun-Publikation, *Installation der Solaris Software auf unterschiedlichen Hardware-Plattformen* (806-4005), welche mit der Installations-CD für die Betriebsumgebung ausgeliefert wurde.

Eventuell benötigte Patches für Ihre Version der Solaris-Software finden Sie auf der Website SunSolve Online unter folgender URL:

<http://sunsolve.Sun.COM/>

SPARCstorage MultiPack-Module

Zwischen den integrierten oder als Erweiterung eingebauten PCI-SCSI-Adapterkarten (HBAs) des Sun Enterprise 450 Server und einigen älteren Fast/Wide SCSI SPARCstorage™ MultiPack-Modulen (SMPs) mit UltraSCSI (Fast-20)-fähigen Laufwerken besteht ein Kompatibilitätsproblem. Die für Sun Enterprise 450 Server verfügbaren HBAs stellen standardmäßig UltraSCSI ein, wenn Geräte für UltraSCSI angeschlossen sind. Einige Module SPARCstorage MultiPack (sowohl die Ausführungen für 6 als auch 12 Laufwerke) unterstützen UltraSCSI nicht. Wird versucht, eine solche Konfiguration zu verwenden, sinkt die Leistung des SCSI-Bus und es können Systemfehler auftreten.

Abhilfe: Deaktivieren Sie vor Verwendung dieser Konfiguration den Modus UltraSCSI bei jedem Controller, an dem ein SMP angeschlossen ist. Details finden Sie auf den Man Pages `pci(4)`, `glm(7D)` und `isp(7D)`.

Hinweis – Wird statt dessen versucht, diese Inkompatibilität durch eine globale Änderung der SCSI-Option in `/etc/system` zu beheben, steht der Modus UltraSCSI für die internen Systemfestplatten nicht mehr zur Verfügung.

Dieser Fehler tritt bei den Systemen SPARCstorage MultiPack 2 mit 6 Laufwerk-Backplanes nicht auf, diese unterstützen UltraSCSI.

Umweltanforderungen

Die folgenden Informationen sind eine Ergänzung zu dem Abschnitt "Umweltanforderungen" in Anhang B "Systemspezifikationen" in der englischen Fassung der *Ultra Enterprise 450 Server Benutzeranleitung* (805-0429-10).

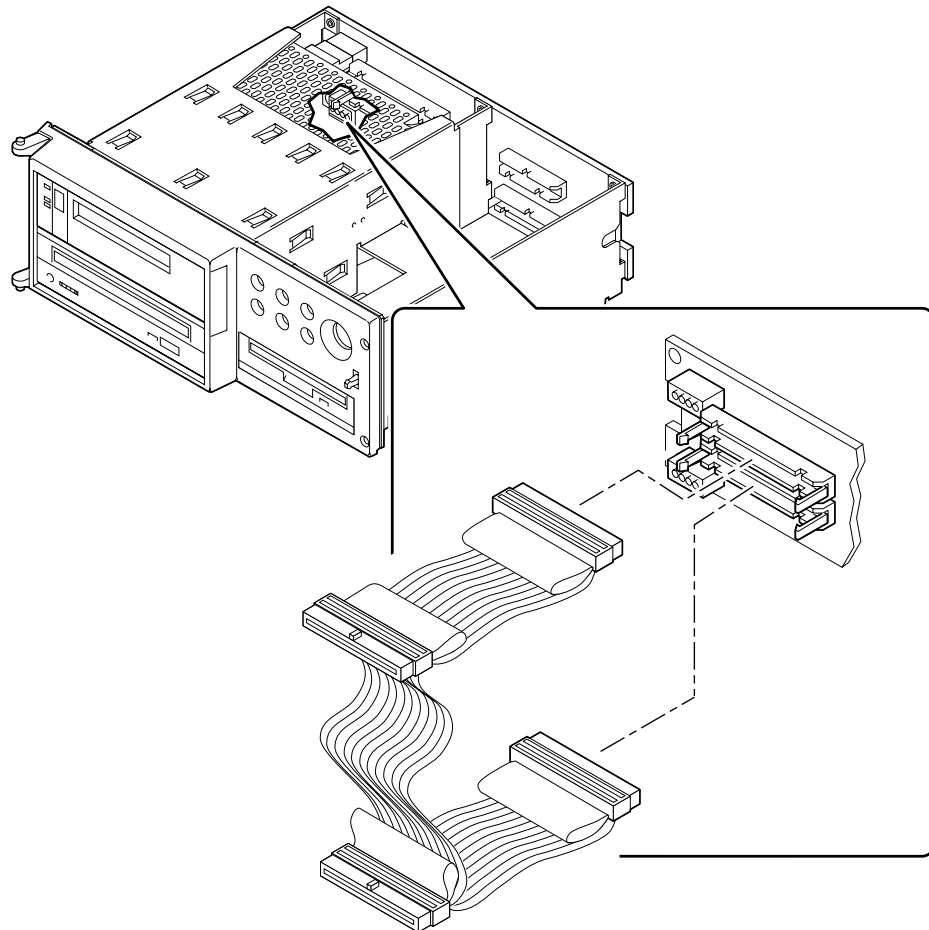
Parameter	Wert
In Betrieb	
Temperatur	5 °C bis 40 °C ¹ (41°F bis 95°F) — IEC 68-2-1, 68-2-2
Höhe	0 bis 3000 Meter (0 bis 10.000 Fuß) — IEC 68-2-40, 68-2-41

1. bei einem oder mehreren installierten 400 MHz- Modulen in Höhen über 1500 Metern (5000 Fuß) sinkt die zulässige Umgebungstemperatur bei Betrieb alle 304,8 Meter (1000 Fuß) von 40 °C (95°F) um jeweils 0,8 °C (1,44°F), bis die Höhe von 3000 Metern (10.000 Fuß) erreicht ist.

Installieren des Datenkabels für das SCSI- Laufwerk

In der *Ultra Enterprise 450 Server Benutzeranleitung* und in der Anwendung *ShowMe How Multimedia* ist die Installation des Datenkabels für das SCSI-Laufwerk für entnehmbare Datenträger falsch dargestellt. In beiden Fällen wird gezeigt, dass die Steckverbinder an jedem Ende des Kabels an den SCSI-Geräten angeschlossen und die beiden Steckverbinder in der Mitte des Kabels mit der Platine für die entnehmbaren Datenträger verbunden sind. Diese Installation ist inkorrekt.

Das Kabel muss statt dessen so installiert werden, dass die beiden freien Enden des Kabels wie im folgenden mit der Platine für die entnehmbaren Datenträger verbunden sind.



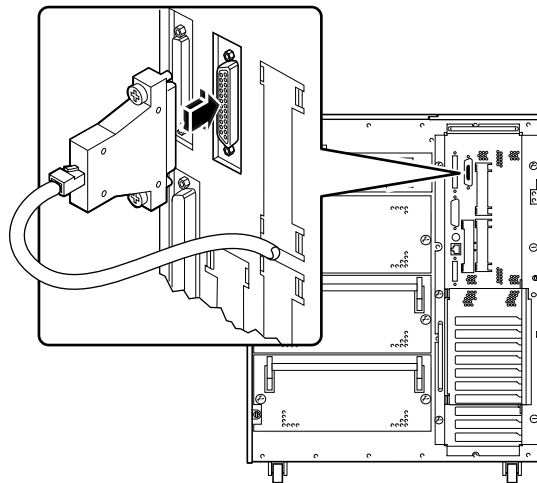
Beachten Sie diese Abbildung bei den folgenden Maßnahmen, die in der *Ultra Enterprise 450 Server Benutzeranleitung* und in der Anwendung *ShowMe How Multimedia* beschrieben werden:

- “Ausbau der Platine für die entnehmbaren Datenträger”
- “Installation der Platine für die entnehmbaren Datenträger”
- “Ausbau eines CD-ROM- oder Bandlaufwerks”
- “Installation eines CD-ROM- oder Bandlaufwerks”
- “Ausbau des Datenkabels für das SCSI-Laufwerk”
- “Installation des Datenkabels für das SCSI-Laufwerk”

Hinweis – Die Systemfunktion bzw. Systemleistung wird nicht negativ beeinflusst, wenn das Kabel entsprechend den Originalanweisungen in der *Ultra Enterprise 450 Server Benutzeranleitung* und der Anwendung *ShowMe How Multimedia* installiert wird. Die Installation des Kabels ist jedoch einfacher, und Beschädigungen sind seltener, wenn die Installation nach den Abbildungen in diesen Produktinformationen erfolgt.

Anschließen eines alphanumerischen Terminals

Die Abbildung in der *Ultra Enterprise 450 Server Benutzeranleitung* gibt die Lage des seriellen Anschlusses an der Rückseite des Servers nicht richtig wieder. Die richtige Lage sehen Sie auf der folgenden Abbildung.



Gestellmontage des Sun Enterprise 450 Server

Als Option zur Installation eines Sun Enterprise 450 Server steht ein Kit für Gestellmontage (EIA-Standardgestell 19 Zoll) zur Verfügung. Wenden Sie sich wegen weiterer Details an den zuständigen Sun-Vertriebsbeauftragten.

Informationen zur Aufstellung von Sun Enterprise 450 Server in Gestellen finden Sie im Web unter folgender URL:

<http://docs.sun.com>

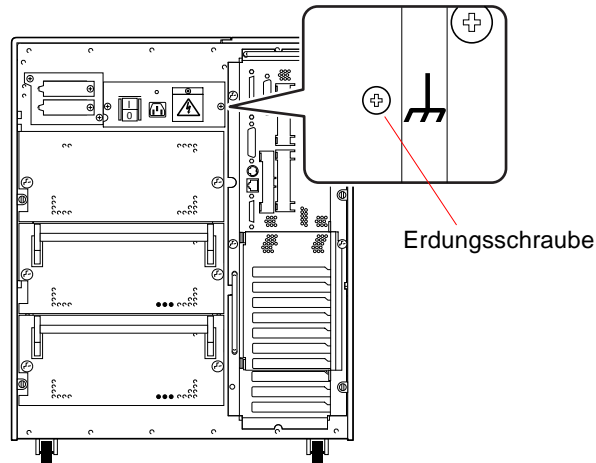
Klicken Sie auf "Speicher & Peripheriegeräte" in dem Abschnitt Hardware und öffnen Sie die *Rackmount Placement Matrix*.

Hinweis – Vor Installation des Sun Enterprise 450 Server in einem Sun Enterprise Erweiterungsschrank muss die Schutzleiste am unteren Rand der Rückseite des Erweiterungsschranks entfernt werden. Dadurch passen zwei Sun Enterprise 450 Server in einen Erweiterungsschrank. Weitere Details finden Sie in der Dokumentation, die mit dem Sun Enterprise Erweiterungsschrank mitgeliefert wird.

Anschließen von Peripheriegeräten in Gestellen

Beim Anschluss eines Sun Enterprise 450 Servers als Beistellgerät an Peripheriegeräte, welche in Gestellen untergebracht sind, muss zwischen dem Server und dem Gestellrahmen eine Erdleitung montiert werden. Diese Erdleitung verhindert Erdschleifen zwischen beiden Systemen und schützt gegen eventuelle Datenverluste.

In der Regel wird eine Erdleitung mit dem Gestellrahmen mitgeliefert. Schließen Sie das eine Ende an dem vorgesehenen Erdungspunkt des Gestellrahmens entsprechend den mitgelieferten Montageanweisungen an. Das andere Ende verbinden Sie mit der Erdungsschraube am Sun Enterprise 450 Server, die Lage ist in der nächsten Abbildung angegeben. Die Erdungsschraube muss fest angezogen werden, um eine sichere Verbindung zu gewährleisten.



Vorsicht – Die Erdungsschraube an dem Sun Enterprise 450 Server ist ein wichtiges Bauteil zum Schutz gegen Elektrounfälle bei Defekten in der Stromversorgung des Systems. Wird die Erdungsschraube nicht ersetzt und nicht richtig angezogen, kann eine Gefährdung eintreten.

Elektromagnetische Verträglichkeit

Der Sun Enterprise 450 Server erfüllt die Forderungen nach Klasse A zur Verträglichkeit gegenüber elektromagnetischen Störungen (EMI) entsprechend den internationalen Normen. Einige dieser Normen werden in der "Declaration of Conformity" in den "Regulatory Compliance Statement" am Anfang dieses Dokuments genannt.



Vorsicht – Beachten Sie die Abschnitte zu Geräten der Klasse A in den "Regulatory Compliance Statement" am Anfang dieses Dokuments. Störungen können Sie auf verschiedenem Wege beseitigen. Details über Entstörungsmaßnahmen finden Sie in der Mitteilung der FCC zu Geräten der Klasse B in den "Regulatory Compliance Statement".

Oberer Lüfter

Der obere Lüfter (Teilenummer 540-3023) gehört nicht mehr zum Lieferumfang von Sun Enterprise 450 Server; bei den in der *Ultra Enterprise 450 Server Benutzeranleitung* und der Anwendung *ShowMe How Multimedia* beschriebenen Arbeiten wird jedoch davon ausgegangen, dass dieses Teil vorhanden ist. Bei jedem Arbeitsschritt, bei dem die Hauptplatine ausgebaut werden muss, wird in den Anweisungen gefordert, das Kabel für den oberen Lüfter von der Hauptplatine abzuziehen, bevor die Hauptplatine ausgebaut wird. Da der obere Lüfter nicht mehr zu dem System gehört, können Sie diese Anweisung ignorieren.

Verriegelung der Stromversorgung

Der Sun Enterprise 450 Server verfügt über eine Verriegelung der Stromversorgung. Wird eine der Seitenverkleidungen des Systems entfernt, werden die Verriegelungsschalter für die Systemstromversorgung aktiviert. Diese Sicherheitsfunktion verhindert, dass die Gleichspannungen Kontakt mit internen Bauteilen bekommen, wenn eine Seitenverkleidung entfernt wird und die Netzstromversorgung nicht abgeschaltet wurde. Entfernen Sie bei laufendem System die Seitenverkleidungen nicht. In solchen Fällen schaltet das System die Stromversorgung sofort ab.

Aufschlüsselung der abgebildeten Teile

Die folgenden Informationen ergänzen die Tabelle in der *Ultra Enterprise 450 Server Benutzeranleitung*.

Hinweis – Die Teilenummern in diesem Abschnitt sind zum Zeitpunkt der Veröffentlichung dieser Produktinformationen korrekt. Änderungen jederzeit vorbehalten. Sprechen Sie vor der Bestellung eines Ersatzteils mit Ihrem zuständigen Sun-Vertriebsbeauftragten oder Diensteanbieter und lassen Sie sich die Teilenummer bestätigen.

Kategorie	Ersatzteil	Teilenummer
Hauptplatine und Bauteile	Hauptplatine, 250 und 300 MHz	501-5270
	Hauptplatine, 400 MHz	501-5672
	Hauptplatine, 480 MHz	501-5673
	DIMM, 256 MB, 60 ns	501-4743
	UltraSPARC II CPU (250 MHz, 1 MB Ecache)	501-4857
	UltraSPARC II CPU (300 MHz, 2 MB Ecache)	501-4849
	UltraSPARC II CPU (400 MHz, 4 MB Ecache)	501-5239
	UltraSPARC II CPU (480 MHz, 8 MB Ecache)	501-5729
Backplanes mit Speichergeräten	UltraSCSI-Backplane mit 8 Steckplätzen	501-5274
Speichergeräte	SunCD 32 CD-ROM-Laufwerk	370-3416
	DVD ROM-Laufwerk	390-0025
	9 GB UltraSCSI Festplattenlaufwerk, 7200 U/ min	501-3704
	18 GB UltraSCSI Festplattenlaufwerk	540-4177
	36 GB UltraSCSI Festplattenlaufwerk	540-4521
	DDS4 Bandlaufwerk	390-0028
Interne Kabel	LED Schnittstellenkabel	530-2363 ¹

1. Ersetzt 530-2362

Note sul server Sun Enterprise 450

Questo documento contiene informazioni aggiornate non incluse nella documentazione in formato cartaceo o multimediale dei server Sun Enterprise™ 450. Gli argomenti trattati sono i seguenti:

- “Verifica del supporto dei moduli CPU a 480 MHz” a pagina 2
- “Come identificare la revisione dell’immagine del firmware OpenBoot” a pagina 3
- “Identificazione dei moduli CPU UltraSPARC II” a pagina 4
- “Configurazione dei moduli CPU” a pagina 5
- “Rimozione e installazione di un modulo CPU” a pagina 5
- “Rimozione e installazione del profilo di canalizzazione dell’aria della CPU” a pagina 6
- “Jumper della scheda logica principale” a pagina 12
- “Apertura e chiusura dello sportello del gruppo supporti removibili” a pagina 14
- “Rimozione o installazione del modulo NVRAM” a pagina 15
- “Determinazione dei requisiti di alimentazione” a pagina 15
- “Funzione di blocco della memoria dell’alimentatore” a pagina 17
- “Requisiti software del sistema” a pagina 17
- “Unità SPARCstorage MultiPack” a pagina 18
- “Requisiti ambientali” a pagina 18
- “Installazione del cavo di dati dell’unità SCSI” a pagina 19
- “Collegamento di un terminale alfanumerico” a pagina 20
- “Montaggio in rack del server Sun Enterprise 450” a pagina 21
- “Collegamento di periferiche montate in rack” a pagina 21
- “Compatibilità elettromagnetica” a pagina 22
- “Gruppo di areazione superiore” a pagina 23
- “Meccanismo di interdizione dell’alimentazione” a pagina 23
- “Informazioni in dettaglio sui componenti” a pagina 24

Verifica del supporto dei moduli CPU a 480 MHz

Per verificare che il server supporti i moduli CPU a 480 MHz, è possibile usare un comando UNIX[®] o eseguire uno speciale comando al prompt ok.

Da una console o da una finestra di comando:

- **Digitare il comando seguente al prompt UNIX:**

```
% /usr/sbin/prtconf -pv | grep "501-5673"
```

Se il numero restituito è 501-5673, passare alla sezione “Identificazione dei moduli CPU UltraSPARC II” a pagina 4 di questa guida.

Se non viene restituito nessun numero, significa che la scheda di sistema non ha il numero di parte corretto (501-5673) e quindi non supporta l’installazione del nuovo modulo CPU UltraSPARC II a 480 MHz. Contattare il proprio rivenditore Sun[™] per ordinare un aggiornamento della scheda. Per l’installazione della scheda e del modulo CPU, seguire le istruzioni del manuale *Sun Enterprise 450 Server Board Upgrade Guide*.

Dal prompt ok:

1. **Digitare il comando seguente:**

```
ok cd /
```

2. **Per visualizzare i dati relativi alla scheda di sistema, digitare il comando seguente:**

```
ok .prp
```

Esaminare l’output relativo alla proprietà `model`. Se la scheda di sistema non ha il numero di parte 501-5673 (o non compare alcun numero di parte), non è possibile installare il nuovo modulo CPU UltraSPARC II a 480 MHz. Contattare il proprio rivenditore Sun per ordinare un aggiornamento della scheda. Per l’installazione della scheda e del modulo CPU, seguire le istruzioni del manuale *Sun Enterprise 450 Server Board Upgrade Guide*.

Se il numero della scheda di sistema è 501-5673, passare alla sezione “Come identificare la revisione dell’immagine del firmware OpenBoot” di questa guida.

Come identificare la revisione dell'immagine del firmware OpenBoot

Per verificare che il server supporti i moduli CPU a 480 MHz, è possibile usare un comando UNIX o eseguire uno speciale comando al prompt `ok`.

Da una console o da una finestra di comando:

- **Digitare il comando seguente al prompt UNIX:**

```
% /usr/sbin/prtconf -v | grep OBP
```

Dal prompt `ok`:

- **Digitare il comando seguente al prompt `ok`:**

```
ok .version
```

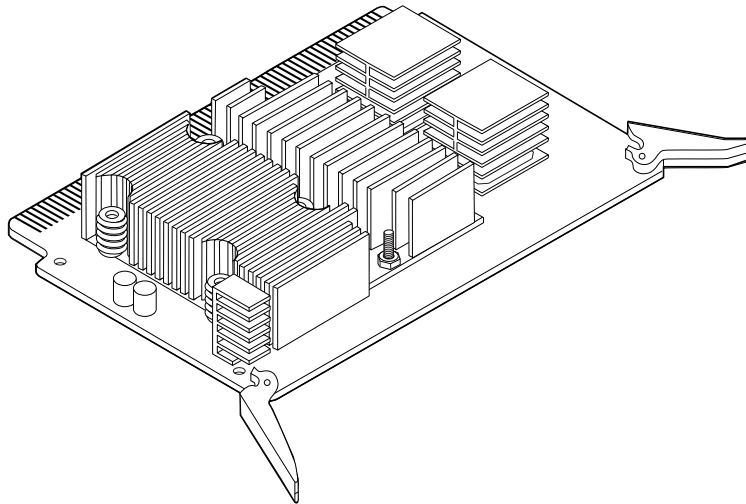
Se la versione restituita è la 3.18 o superiore, il firmware garantisce il supporto dei moduli CPU di velocità maggiore. Per maggiori informazioni, vedere la sezione “Verifica del supporto dei moduli CPU a 480 MHz” a pagina 2. Se la versione restituita è precedente alla 3.18, occorre procedere all'aggiornamento flash del firmware OpenBoot™.

Accedere al sito Web SunSolve Online™ all'indirizzo URL <http://sunsolve.Sun.COM> per reperire informazioni sull'esecuzione dell'aggiornamento flash del firmware del sistema.

Per scaricare un aggiornamento flash, collegarsi alla pagina Web SunSolve Online. Fare clic su “Patches”. Nella pagina successiva, fare clic su “Find patch” per individuare la patch numero 106503, quindi seguire le istruzioni visualizzate sullo schermo.

Identificazione dei moduli CPU UltraSPARC II

Il server Sun Enterprise 450 supporta un massimo di quattro moduli CPU UltraSPARC™ II a 250 MHz, 300 MHz, 400 MHz o 480 MHz. La figura seguente mostra il nuovo modulo UltraSPARC II a 480 MHz, dotato di 8 Mbyte di memoria cache integrata.



Prima di installare un modulo CPU, verificare che si tratti di uno dei seguenti moduli UltraSPARC II per server Sun Enterprise 450. La tabella seguente riporta le velocità in MHz dei vari moduli CPU.

Velocità del modulo CPU (MHz)	Numero di parte
UltraSPARC II a 250 MHz	501-4857 o 501-4278
UltraSPARC II a 300 MHz	501-4849 o 501-4196
UltraSPARC II a 400 MHz	501-5239 o 501-5446
UltraSPARC II a 480 MHz	501-5729

Configurazione dei moduli CPU

Prima di configurare uno o più moduli CPU, determinare se il sistema supporti i requisiti di alimentazione della nuova configurazione. Vedere a riguardo la sezione “Requisiti di alimentazione del sistema” a pagina 16 di questa guida, e la sezione “Come determinare i requisiti di potenza del sistema” del *Manuale dell'utente per server Ultra Enterprise 450*.



Attenzione – Tutti i moduli CPU installati in un sistema devono operare alla stessa velocità di clock.

Configurare i moduli CPU UltraSPARC II nel server secondo le regole descritte nella sezione “Informazioni sui moduli della CPU” del *Manuale dell'utente per server Ultra Enterprise 450*.

Se il sistema dispone di due alimentatori e non è richiesta un'alimentazione ridondante, seguire le istruzioni della sezione successiva, “Rimozione e installazione di un modulo CPU” a pagina 5.

Rimozione e installazione di un modulo CPU

Prima di rimuovere o installare un modulo CPU, leggere la sezione “Informazioni sui moduli della CPU” del *Manuale dell'utente per server Ultra Enterprise 450*.



Attenzione – Prima di installare qualsiasi modulo CPU, leggere la sezione “Jumper della scheda logica principale” a pagina 12, e verificare che l'impostazione dei jumper sia corretta per la velocità del modulo CPU da installare. Un'impostazione errata del jumper per la selezione della modalità di clock della scheda logica principale può causare gravi danni al sistema.

Per rimuovere o installare uno o più moduli CPU nel server Sun Enterprise 450, seguire le istruzioni delle sezioni “Come rimuovere un modulo della CPU” e “Come installare un modulo della CPU” del *Manuale dell'utente per server Ultra Enterprise 450*.

Nota – Per il corretto raffreddamento dei moduli CPU a 480 MHz è richiesto un profilo di canalizzazione dell'aria. Le istruzioni per la rimozione e il successivo riposizionamento del profilo sono fornite nella sezione “Rimozione e installazione del profilo di canalizzazione dell'aria della CPU” a pagina 6.

Nota – Prima di installare il quarto modulo CPU nello slot superiore (CPU-A1), rimuovere il modulo di protezione installato nel connettore (J0101). Afferrare il modulo di protezione per l'impugnatura anteriore e rimuoverlo dallo slot.

Rimozione e installazione del profilo di canalizzazione dell'aria della CPU

Tutte le schede logiche principali 501-5673 comprendono un profilo per la canalizzazione dell'aria alla CPU. Le sezioni seguenti indicano come rimuoverlo e ricollocarlo.



Attenzione – Il profilo di canalizzazione dell'aria è essenziale per un corretto raffreddamento del sistema. Non avviare il sistema senza aver prima installato questo profilo.

Come rimuovere il profilo di canalizzazione dell'aria della CPU

Prima di procedere alla rimozione o all'installazione dei moduli CPU, occorre rimuovere il profilo di canalizzazione dell'aria.



Attenzione – Questa procedura deve essere eseguita da personale qualificato. Chiunque rimuova i pannelli esterni per avere accesso ai componenti interni del server deve osservare tutte le precauzioni di sicurezza e soddisfare i requisiti applicabili e previsti in materia di formazione professionale, certificazione e normative locali e nazionali.

Prima di iniziare

Completare le seguenti operazioni, come descritto nel *Manuale dell'utente per server Ultra Enterprise 450*:

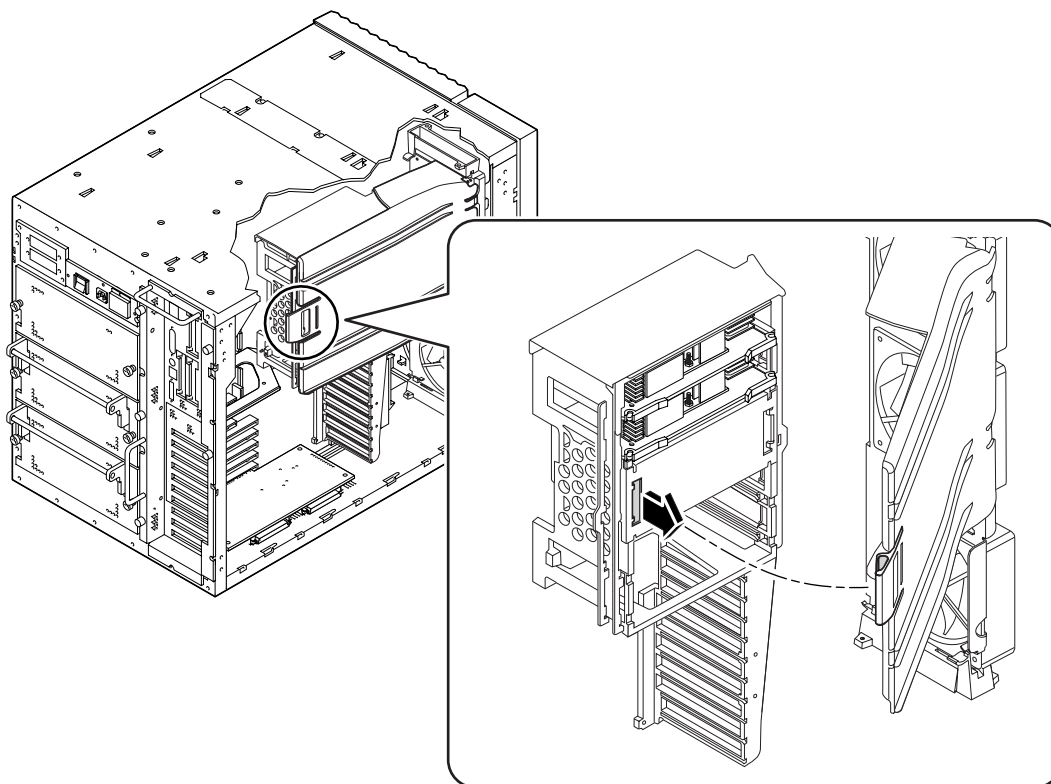
- “Come spegnere il sistema”
- “Come rimuovere il pannello sinistro”
- “Come evitare le scariche elettrostatiche”

Come procedere

Per rimuovere il profilo di canalizzazione dell'aria della CPU, procedere come segue:

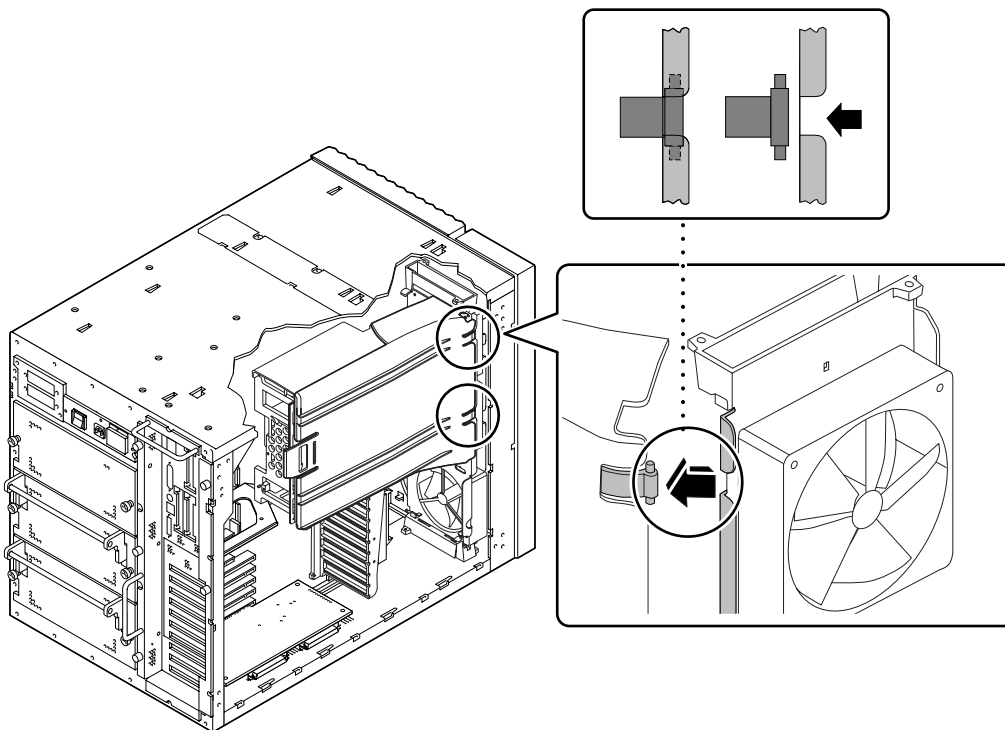
- 1. Tirare delicatamente verso l'esterno la levetta di blocco di sinistra ed estrarre il profilo di canalizzazione dell'aria.**

La levetta di blocco del profilo di canalizzazione dell'aria si sgancerà dal suo alloggiamento sulla staffa della scheda logica principale.



2. Sganciare le linguette del profilo dal gruppo di ventilazione della CPU.

Estrarre il profilo di canalizzazione dell'aria facendolo scorrere verso la parte anteriore dello chassis per liberarlo dal gruppo di ventilazione della CPU.



Argomenti successivi

Per reperire indicazioni su come rimuovere o installare i moduli CPU, vedere il *Manuale dell'utente per server Ultra Enterprise 450*.

Per ricollocare il profilo di canalizzazione dell'aria della CPU, completare la procedura seguente:

- “Come ricollocare il profilo di canalizzazione dell'aria della CPU” a pagina 9

Come ricollocare il profilo di canalizzazione dell'aria della CPU



Attenzione – Il profilo di canalizzazione dell'aria è essenziale per un corretto raffreddamento del sistema. Non avviare il sistema senza aver prima installato il profilo.



Attenzione – Questa procedura deve essere eseguita da personale qualificato. Chiunque rimuova i pannelli esterni per avere accesso ai componenti interni del server deve osservare tutte le precauzioni di sicurezza e soddisfare i requisiti applicabili e previsti in materia di formazione professionale, certificazione e normative locali e nazionali.

Prima di iniziare

Completare le seguenti operazioni, come descritto nel *Manuale dell'utente per server Ultra Enterprise 450*:

- “Come spegnere il sistema”
- “Come rimuovere il pannello sinistro”
- “Come evitare le scariche elettrostatiche”

Inoltre, completare la procedura seguente:

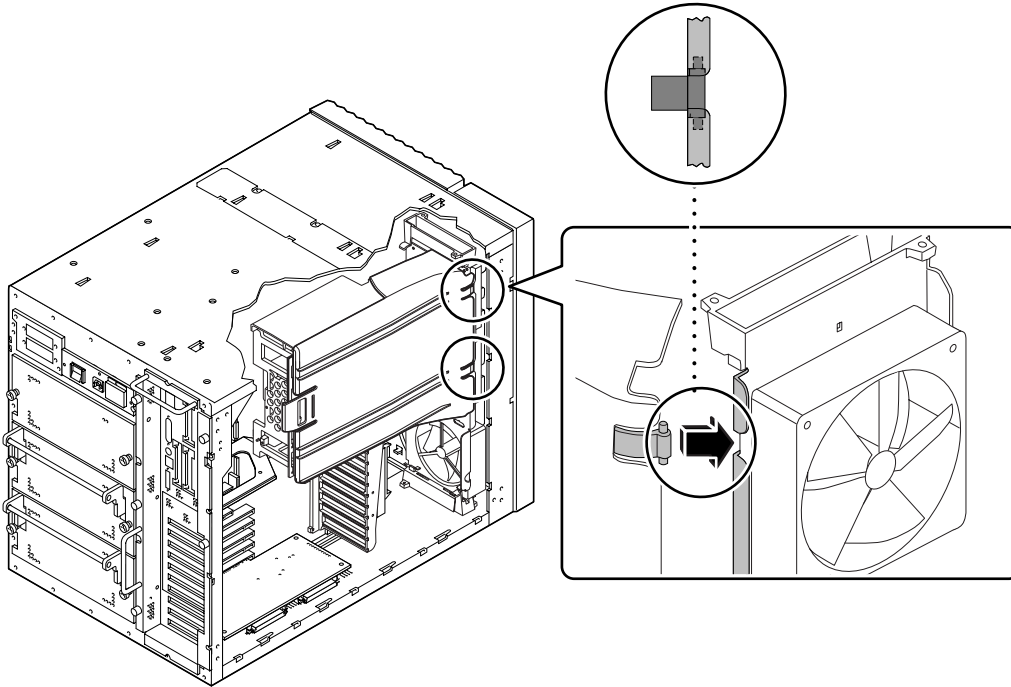
- “Come rimuovere il profilo di canalizzazione dell'aria della CPU” a pagina 6 di questo documento.

Come procedere

Per ricollocare il profilo di canalizzazione dell'aria della CPU, procedere come segue:

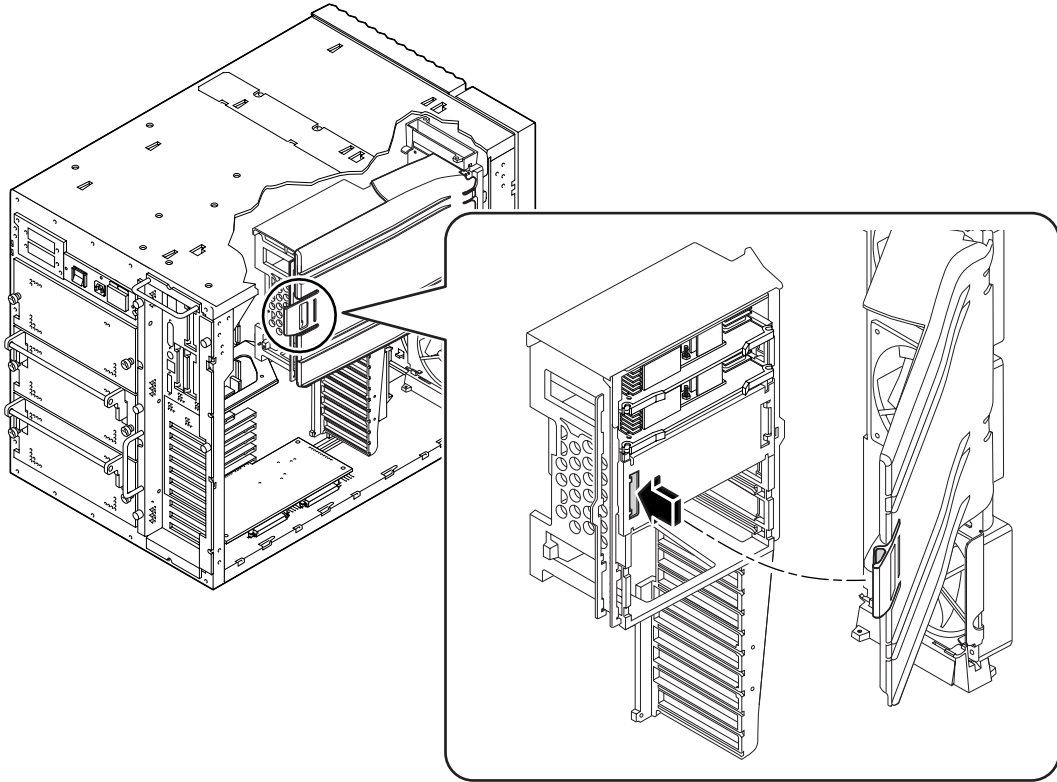
1. Agganciare le linguette del profilo al gruppo di ventilazione della CPU.

È necessario tenere inclinata il profilo per disporre dello spazio necessario a inserire le linguette sotto gli appositi fori del gruppo di ventilazione della CPU.



2. Far scorrere il profilo di canalizzazione dell'aria verso la parte posteriore dello chassis per assicurare saldamente le linguette del profilo al gruppo di ventilazione della CPU.

- 3. Posizionare il profilo contro la staffa della scheda logica principale e bloccare in posizione la levetta.**



Argomenti successivi

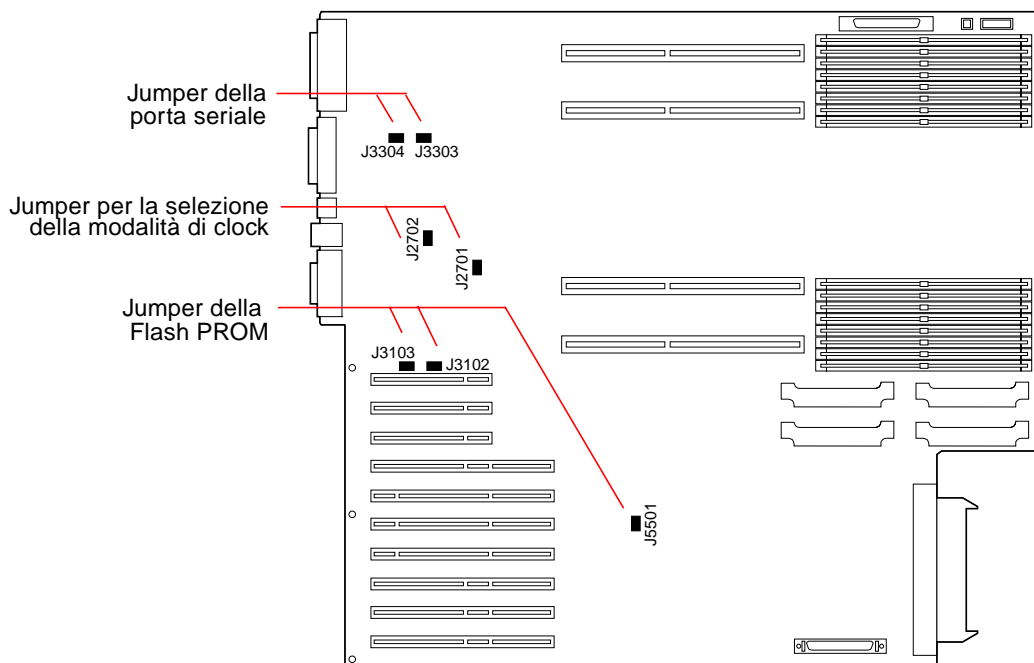
Consultare il *Manuale dell'utente per server Ultra Enterprise 450* per reperire le istruzioni per il riassettaggio e l'avvio del sistema.

Jumper della scheda logica principale

Le seguenti informazioni rappresentano un aggiornamento del contenuto del *Manuale dell'utente per server Ultra Enterprise 450* per quanto riguarda i jumper della scheda logica principale:

Nota – Diversamente da quanto indicato nella tabella della sezione “Informazioni sul jumper di selezione della modalità di clock”, i jumper per la selezione della modalità di clock (J2701 e J2702) si trovano ora sulla scheda logica principale del server Sun Enterprise 450 (501-5673).

La figura seguente mostra l'ubicazione dei jumper per la selezione della modalità di clock sulla scheda logica principale.



Impostare il ponticello del jumper per la selezione della modalità di clock agli indirizzi J2701 e J2702 in modo che corrisponda alla velocità del modulo CPU UltraSPARC II. Verificare che l'impostazione sia corretta prima di avviare il sistema.

Velocità di clock	J2701	J2702
250 MHz	1 + 2	2 + 3
300 MHz	1 + 2	2 + 3
400 MHz	2 + 3	2 + 3
480 MHz	2 + 3	1 + 2

La tabella che descrive le impostazioni relative ai tre jumper della flash PROM non è corretta. La tabella corretta è la seguente.

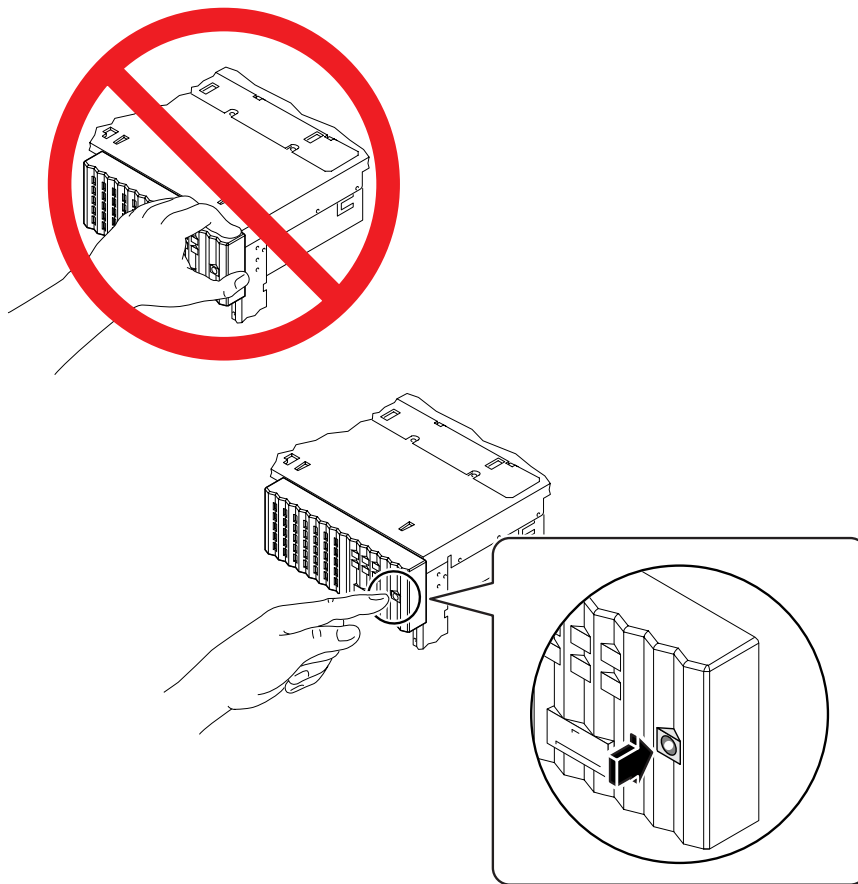
Jumper	Il ponticello sui piedini 1 + 2 seleziona	Il ponticello sui piedini 2 + 3 seleziona	Ponticello predefinito sui piedini	Segnale controllato
J3102	Flash PROM	Non utilizzato	1 + 2	FLASH PROM SEL
J3103	Protezione dalla scrittura	Abilitazione alla scrittura	2 + 3	FLASH PROM PROG ENABLE
J5501	Boot a metà altezza	Boot normale	2 + 3	XOR LOGIC SET

Apertura e chiusura dello sportello del gruppo supporti removibili

Per aprire lo sportello del gruppo supporti removibili, premere il pulsante sul lato destro dello sportello stesso.



Attenzione – Non cercare aprire lo sportello tirandolo, perché si potrebbe provocare la rottura della levetta di blocco.



Per richiudere lo sportello, premere di nuovo il pulsante.

Rimozione o installazione del modulo NVRAM



Attenzione – Prima di rimuovere o di installare un modulo NVRAM sulla scheda logica principale, scollegare il connettore di alimentazione dalla scheda. Diversamente, si potrebbero causare danni alle informazioni memorizzate nel modulo NVRAM e al funzionamento del sistema. Per scollegare il connettore di alimentazione dalla scheda logica principale, allentare le viti prigioniere che fissano la scheda al pannello posteriore del sistema e tirare le impugnature sul retro della scheda.

Determinazione dei requisiti di alimentazione

La configurazione minima del server Sun Enterprise 450 include due alimentatori, che assicurano energia sufficiente per tutte le configurazioni supportate.

Nota – Se la configurazione del sistema richiede un'alimentazione ridondante, potrà essere necessario aggiungere un terzo alimentatore.

Requisiti di alimentazione del sistema

Le informazioni seguenti integrano il contenuto della sezione “Foglio di lavoro per i requisiti di alimentazione del sistema” del *Manuale dell'utente per server Ultra Enterprise 450*. La tabella qui sotto permette di calcolare i requisiti di alimentazione in caso di installazione dei componenti seguenti:

- Modulo CPU a 480 MHz con 8 MB di cache esterna
- Modulo CPU a 400 MHz con 4 MB di cache esterna
- CD-ROM SunCD™ 32X
- DVD ROM
- Unità disco rigido da 18 GB
- Unità disco rigido da 36 GB
- Unità nastro DDS4.

Riga N.	Dispositivo	Qtà	Amp a 3,3 V c.c.	Totale Ampere a 3,3 V	Amp a +5 V c.c.	Totale Ampere a 5 V	Amp a +12 Vc.c.	Totale Ampere a 12 V
CPU								
	CPU a 480 MHz con 8 MB di Ecache e convertitore DC/DC		7,5		6,7			
	CPU a 400 MHz con 4 MB di Ecache e convertitore DC/DC		5,0		5,6			
Dispositivi di memorizzazione interni								
	CD-ROM SunCD 32				0,55		0,61	
	DVD ROM				0,42		0,51	
	Unità disco rigido da 18 GB				0,8		0,5	
	Unità disco rigido da 36 GB				0,8		0,5	
	Unità nastro DDS4				0,9		0,5	

Funzione di blocco della memoria dell'alimentatore

L'alimentatore del server Sun Enterprise 450 ha una funzione di blocco della memoria in grado di "ricordare" lo stato di accensione o spegnimento in cui il sistema si trovava prima di un'interruzione di corrente o del distacco del cavo di alimentazione. Questa funzione permette al sistema di riprendere automaticamente il funzionamento non appena l'alimentazione viene ripristinata. Permette inoltre di sostituire "a caldo" gli alimentatori.

In alcune circostanze, questa funzione può essere erroneamente interpretata come un malfunzionamento degli alimentatori. Se ad esempio si rimuove un alimentatore da un sistema spento e si cerca di eseguire un'installazione "a caldo" dopo avere acceso il sistema, l'alimentatore resterà spento. Questa condizione non deve essere interpretata come un malfunzionamento dell'alimentatore. Per attivare l'alimentatore, è sufficiente ruotare il selettore del pannello frontale dalla posizione di accensione alla posizione di diagnostica e quindi riportarlo in posizione di accensione. Oppure, è sufficiente premere il tasto di accensione su una tastiera Sun Tipo 5 collegata al sistema.

Requisiti software del sistema

Il server Sun Enterprise 450 richiede Solaris 2.5.1 Hardware: 11/97, Solaris 2.6 Hardware: 5/98, Solaris 7, Solaris 8 o una release successiva compatibile di Solaris. Per verificare che sul server Sun Enterprise 450 sia installata la versione corretta dell'ambiente operativo, esaminare il file `/etc/release`. Il file dovrebbe, ad esempio, contenere il testo "Solaris 2.5.1 Hardware: 11/97" o identificare una release successiva compatibile di Solaris.

Per maggiori informazioni sulla compatibilità del software, consultare la pubblicazione Sun *Installazione di Solaris su sistemi hardware specifici* (806-4005), fornita con il CD di installazione dell'ambiente operativo.

Le patch richieste per le specifiche versioni di Solaris sono disponibili sul sito Web SunSolve Online, all'indirizzo:

<http://sunsolve.Sun.COM/>

Unità SPARCstorage MultiPack

Esiste un problema di compatibilità tra i controller SCSI PCI integrati o di espansione del server Ultra Enterprise 450 e alcuni dispositivi SPARCstorage™ MultiPack (SMP) Fast/Wide SCSI che contengono unità UltraSCSI (Fast-20). I controller dei server Ultra Enterprise 450 operano automaticamente in modalità UltraSCSI quando sono presenti dispositivi UltraSCSI. Tuttavia, alcuni dispositivi SPARCstorage MultiPack (sia in versione a 6 che a 12 unità) non supportano il funzionamento in modalità UltraSCSI. L'uso di una configurazione di questo tipo può causare un peggioramento delle prestazioni del bus SCSI e un errore "panic" del sistema.

Soluzione: Prima di usare una configurazione di questo tipo, disabilitare la modalità UltraSCSI su ogni controller a cui è collegato un dispositivo SMP. Per maggiori dettagli, vedere le pagine `man pci(4)`, `glm(7D)` e `isp(7D)`.

Nota – La soluzione alternativa che consiste nel modificare a livello globale l'opzione SCSI nel file `/etc/system` causerebbe una perdita della modalità UltraSCSI sulle piastre base dei dischi interni del sistema.

Questo problema non si verifica con i sistemi SPARCstorage MultiPack 2 a sei unità, che supportano il funzionamento in modalità UltraSCSI.

Requisiti ambientali

Le informazioni seguenti integrano la sezione "Requisiti ambientali" contenuta nell'Appendice B "Specifiche del sistema" della versione inglese del *Manuale dell'utente per server Ultra Enterprise 450* (805-0429-10).

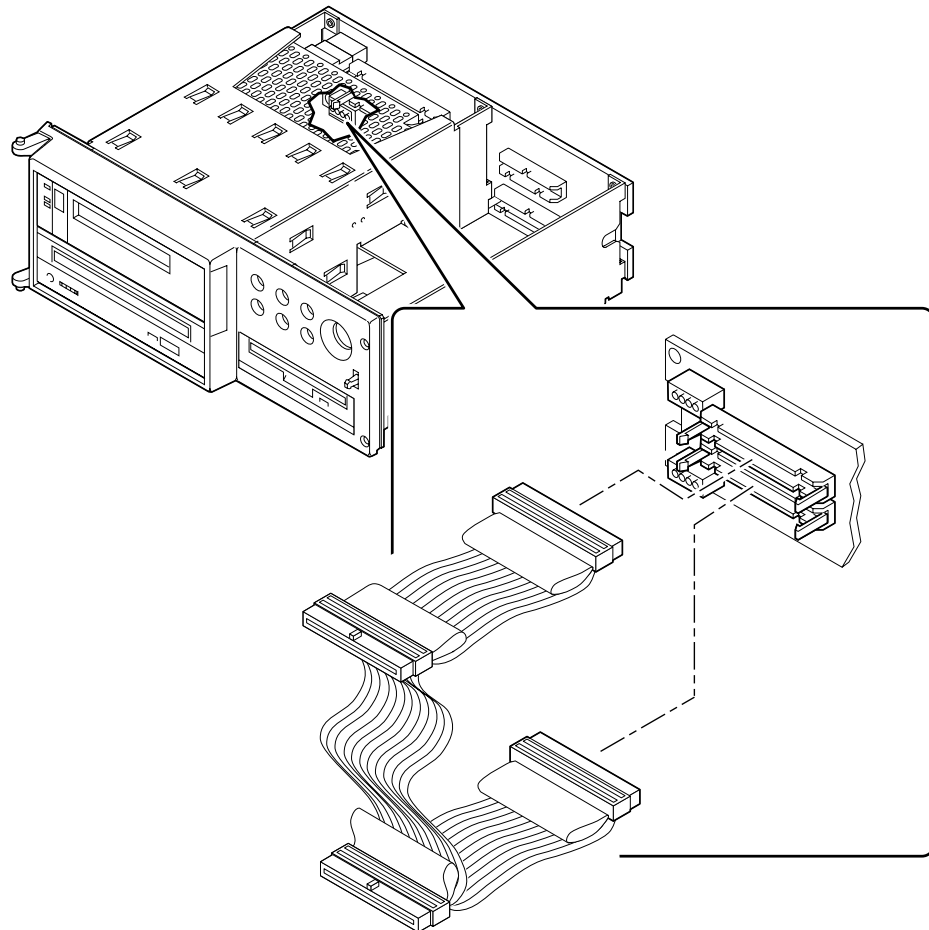
Parametro	Valore
In funzione	
Temperatura	Da 5° C a 40° C ¹ —IEC 68-2-1, 68-2-2
Altitudine	Da 0 a 3000 metri—IEC 68-2-40, 68-2-41

1. Con uno o più moduli CPU a 400 MHz installati, ad altitudini superiori a 1500 metri la temperatura operativa massima supportata scende dai 40° C alla frequenza di 0,8° C per ogni 304,8 metri fino a 3000 metri.

Installazione del cavo di dati dell'unità SCSI

Il *Manuale dell'utente per server Ultra Enterprise 450* e l'applicazione *ShowMe How Multimedia* illustrano in modo non corretto le modalità di installazione del cavo di dati dell'unità SCSI nel gruppo supporti removibili. Le procedure documentate in entrambi i riferimenti mostrano che i connettori ad ognuna delle estremità del cavo sono collegati ai dispositivi SCSI, mentre i due connettori al centro si collegano alla piastra base del gruppo supporti removibili. Queste procedure sono errate.

La modalità di installazione corretta del cavo è con le due estremità del cavo libere collegate alla piastra base del gruppo supporti removibili, come illustrato nella figura sotto.



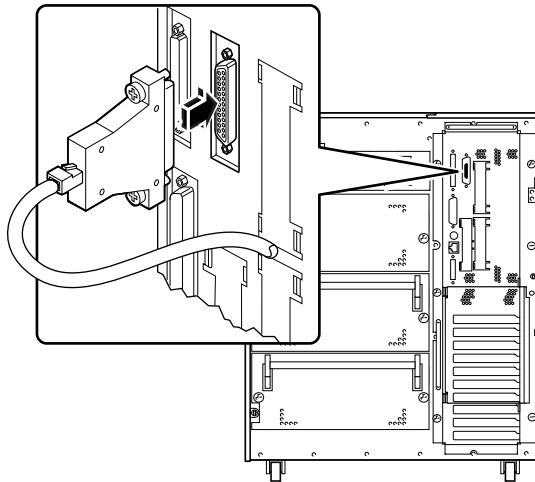
Fare riferimento a questa figura per l'esecuzione delle procedure seguenti, descritte nel *Manuale dell'utente per server Ultra Enterprise 450* e nell'applicazione *ShowMe How Multimedia*:

- “Come rimuovere il gruppo dei supporti removibili”
- “Come installare il gruppo dei supporti removibili”
- “Come rimuovere un lettore di CD-ROM o un'unità nastro”
- “Come installare un lettore di CD-ROM o un'unità nastro”
- “Come rimuovere il cavo di dati dell'unità SCSI”
- “Come installare il cavo di dati dell'unità SCSI”

Nota – Qualora il cavo venga installato seguendo le istruzioni originalmente fornite nel *Manuale dell'utente per server Ultra Enterprise 450* e nell'applicazione *ShowMe How Multimedia*, non si produrranno effetti negativi sul funzionamento del sistema o sulle prestazioni. La procedura corretta descritta in queste Note consente però un'installazione più agevole del cavo con minori rischi di danneggiarlo durante l'operazione.

Collegamento di un terminale alfanumerico

L'illustrazione riportata nel *Manuale dell'utente per server Ultra Enterprise 450* identifica erroneamente la posizione del connettore per la porta seriale sul pannello posteriore del server. La posizione corretta è indicata nella figura qui sotto.



Montaggio in rack del server Sun Enterprise 450

È disponibile un kit opzionale per l'installazione del server Sun Enterprise 450 in un rack standard EIA da 19 pollici. Per maggiori dettagli, contattare il proprio rivenditore autorizzato Sun.

Per informazioni sul montaggio in rack del server Sun Enterprise 450, si veda inoltre il sito Web all'indirizzo:

<http://docs.sun.com>

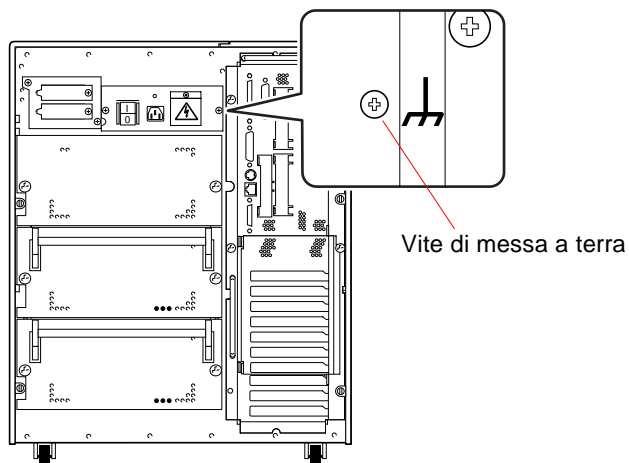
Fare clic su "Periferiche e unità di memorizzazione" nella sezione Hardware e aprire la *Rackmount Placement Matrix*.

Nota – Prima di installare il server Sun Enterprise 450 in un cabinet di espansione Sun Enterprise, rimuovere la piastra situata nella parte bassa posteriore del cabinet. In questo modo sarà possibile collocare due server Sun Enterprise 450 nel cabinet. Per maggiori dettagli, vedere la documentazione fornita con il cabinet di espansione Sun Enterprise.

Collegamento di periferiche montate in rack

Nel collegare un server Sun Enterprise 450 a una periferica montata in un rack, collegare sempre un nastro di messa a terra appropriato tra il server e il rack. Questo nastro impedirà la formazione di collegamenti via terra tra i due sistemi e i conseguenti rischi di perdita dei dati.

I nastri di messa a terra fanno parte generalmente della dotazione standard dei rack. Collegare un'estremità del nastro al punto di messa a terra designato sul rack, secondo le istruzioni fornite con il cabinet, e collegare l'altra estremità alla vite di messa a terra del server Sun Enterprise 450, come illustrato nella figura seguente. Per assicurare un buon collegamento, stringere la vite di messa a terra fino in fondo.



Attenzione – La vite di messa a terra del server Sun Enterprise 450 è un componente fondamentale per la protezione del sistema contro gli shock elettrici nel caso di un'interruzione di corrente. Il mancato inserimento o un posizionamento non corretto della vite di messa a terra potrebbero generare condizioni di pericolo.

Compatibilità elettromagnetica

Il server Sun Enterprise 450 soddisfa i requisiti di Classe A per le interferenze elettromagnetiche (EMI) previsti dagli standard internazionali. Alcuni di questi standard sono indicati nella "Declaration of Conformity" inclusa nella sezione "Regulatory Compliance Statements" all'inizio di questo documento.



Attenzione – Leggere le sezioni applicabili alle apparecchiature di Classe A nella sezione "Regulatory Compliance Statements" all'inizio di questo documento. Sono previste diverse misure correttive per risolvere i problemi di interferenza. Per ulteriori informazioni, consultare la sezione FCC Class B Notice nella sezione "Regulatory Compliance Statements".

Gruppo di areazione superiore

Il server Sun Enterprise 450 non comprende più il gruppo di areazione superiore (numero di parte 540-3023); tuttavia, le procedure descritte nel *Manuale dell'utente per server Ultra Enterprise 450* e nell'applicazione *ShowMe How Multimedia* fanno ancora riferimento a tale componente. Per le procedure che comportano la rimozione della scheda logica principale, le istruzioni indicano di scollegare il cavo del gruppo di areazione superiore dalla scheda prima di procedere alla rimozione. Poiché il sistema non contiene tale gruppo, ignorare questo passaggio.

Meccanismo di interdizione dell'alimentazione

Il server Sun Enterprise 450 è dotato di un meccanismo di sicurezza con il quale, rimuovendo uno dei pannelli laterali del sistema, vengono attivati speciali interruttori di interdizione dell'alimentazione. Questo meccanismo impedisce che la tensione a corrente alternata raggiunga i componenti interni quando uno dei pannelli laterali viene staccato e l'interruttore di alimentazione principale viene lasciato acceso. Evitare di rimuovere i pannelli laterali con il sistema acceso. Tale rimozione causerà uno spegnimento immediato del sistema.

Informazioni in dettaglio sui componenti

Le informazioni seguenti vanno a integrare la tabella contenuta nel *Manuale dell'utente per server Ultra Enterprise 450*.

Nota – I numeri di parte elencati nella sezione seguente sono corretti alla data di pubblicazione di queste Note, ma soggetti a modifica senza obbligo di preavviso. Rivolgersi al rivenditore autorizzato Sun o al fornitore di fiducia per ricevere conferma del numero di parte prima di ordinare un componente sostitutivo.

Categoria	Componente sostitutivo	Numero di parte
Scheda logica principale e componenti	Scheda logica principale, 250 e 300 MHz	501-5270
	Scheda logica principale, 400 MHz	501-5672
	Scheda logica principale, 480 MHz	501-5673
	DIMM, 256 MB, 60 NS	501-4743
	CPU UltraSPARC II (250 MHz, 1 MB di Ecache)	501-4857
	CPU UltraSPARC II (300 MHz, 2 MB di Ecache)	501-4849
	CPU UltraSPARC II (400 MHz, 4 MB di Ecache)	501-5239
	CPU UltraSPARC II (480 MHz, 8 MB di Ecache)	501-5729
Piastra base	Piastra base UltraSCSI a 8 slot	501-5274
Dispositivi di memorizzazione	Unità CD-ROM SunCD 32	370-3416
	Unità DVD ROM	390-0025
	Unità disco UltraSCSI da 9 GB, 7200 rpm	501-3704
	Unità disco UltraSCSI da 18 GB	540-4177
	Unità disco UltraSCSI da 36 GB	540-4521
	Unità nastro DDS4	390-0028
Cavi interni	Cavo di interfaccia LED	530-2363 ¹

1. Sostituisce 530-2362

Servidor Sun Enterprise 450: notas sobre el producto

Este documento contiene información de última hora que no ha sido incluida en la documentación que acompaña a los servidores Sun Enterprise™ 450. Consta de los temas siguientes:

- “Verificación de la compatibilidad de los módulos de CPU de 480 MHz” en la página 2
- “Identificación de la versión de la imagen de firmware de OpenBoot” en la página 3
- “Identificación de los módulos de CPU UltraSPARC II” en la página 4
- “Configuración de los módulos de CPU” en la página 5
- “Instalación o extracción de un módulo de CPU” en la página 5
- “Extracción y montaje de la guía de aire de la CPU” en la página 6
- “Puentes de la placa lógica principal” en la página 12
- “Apertura y cierre de la puerta del conjunto de la unidad extraíble” en la página 14
- “Extracción o instalación del módulo de NVRAM” en la página 15
- “Determinación de la potencia necesaria” en la página 15
- “Función de bloqueo puntual de la fuente de alimentación” en la página 17
- “Requisitos de software del sistema” en la página 17
- “Unidades SPARCstorage MultiPack” en la página 18
- “Requisitos ambientales” en la página 18
- “Instalación del cable de datos de la unidad SCSI” en la página 19
- “Conexión de un terminal alfanumérico” en la página 20
- “Montaje en rack del servidor Sun Enterprise 450” en la página 21
- “Conexión de periféricos montados en rack” en la página 21
- “Compatibilidad electromagnética” en la página 22
- “Conjunto del ventilador superior” en la página 23
- “Conmutadores de bloqueo de la alimentación” en la página 23
- “Clasificación de componentes” en la página 24

Verificación de la compatibilidad de los módulos de CPU de 480 MHz

Para verificar si el servidor admite módulos de 480 MHz, puede utilizar un comando UNIX[®] o averiguarlo desde el indicador ok.

Desde una consola o desde una ventana de comandos:

- **Escriba el comando siguiente en el indicador de UNIX:**

```
% /usr/sbin/prtconf -pv | grep "501-5673"
```

Si el número obtenido es 501-5673, consulte la sección “Identificación de los módulos de CPU UltraSPARC II” en la página 4 de este documento.

Si no obtiene ningún número, quiere decir que la placa del sistema no tiene el número de referencia 501-5673 y que no puede instalar el nuevo módulo de CPU UltraSPARC II de 480 MHz en la placa lógica principal del sistema. Acuda a un representante de Sun[™] si desea pedir una actualización de la placa. Siga las instrucciones de instalación del módulo de CPU y de la placa del manual *Sun Enterprise 450 Server Board Upgrade Guide*.

Si aparece el indicador:

1. **Escriba el siguiente comando:**

```
ok cd /
```

2. **Escriba el siguiente comando para obtener la lista de datos relativos al sistema:**

```
ok .prp
```

Examine la lista relativa a la propiedad `model`. Si la placa del sistema no tiene el número de referencia 501-5673, o no hay ningún número de referencia en la lista, quiere decir que no puede instalar el módulo de CPU UltraSPARC II de 480 MHz. Acuda a un representante de Sun si desea pedir una actualización de la placa. Siga las instrucciones de instalación del módulo de CPU y de la placa del manual *Sun Enterprise 450 Server Board Upgrade Guide*.

Si el número de la placa del sistema es 501-5673, consulte la sección “Identificación de los módulos de CPU UltraSPARC II” en la página 4 de este documento.

Identificación de la versión de la imagen de firmware de OpenBoot

Para verificar si el servidor admite módulos de 480 MHz, puede utilizar un comando UNIX o averiguarlo desde el indicador `ok`.

Desde una consola o desde una ventana de comandos:

- **Escriba el comando siguiente en el indicador de UNIX:**

```
% /usr/sbin/prtconf -v | grep OBP
```

Desde el indicador `ok`:

- **Escriba el comando siguiente en el indicador `ok`:**

```
ok .version
```

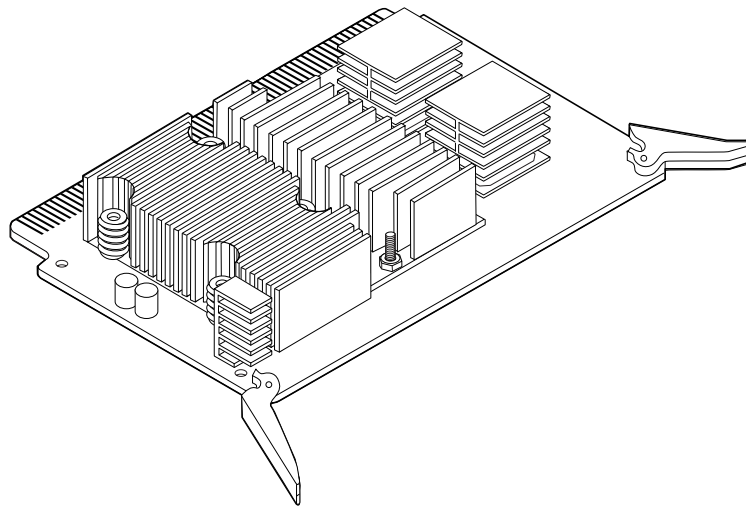
Si la versión obtenida es la 3.18 u otra posterior compatible, el firmware admite módulos de frecuencia superior. Consulte la sección “Verificación de la compatibilidad de los módulos de CPU de 480 MHz” en la página 2. Si la versión es anterior a la 3.18, deberá actualizar inmediatamente el firmware de OpenBoot™.

Consulte la página Web SunSolve™ Online en la dirección <http://sunsolve.Sun.COM> si desea obtener información sobre la actualización inmediata del firmware del sistema.

Para descargar una actualización inmediata, acceda a la página SunSolve Online y haga clic en “Patches”. En la página siguiente, haga clic en “Find Patch” para buscar la modificación con número de referencia 106503 y siga las instrucciones de la pantalla.

Identificación de los módulos de CPU UltraSPARC II

El servidor Sun Enterprise 450 admite hasta cuatro módulos de CPU UltraSPARC II de 300 MHz, de 400 MHz o de 480 MHz. La figura siguiente muestra el nuevo módulo de CPU UltraSPARC II de 480 MHz abierto con 8 Mbytes de memoria caché integrada.



Antes de instalar cualquier módulo, compruebe si pertenece a uno de los siguientes tipos de módulos UltraSPARC II para servidores Sun Enterprise 450. En la tabla siguiente se indican las distintas frecuencias disponibles.

Frecuencia del módulo (MHz)	Número de referencia
UltraSPARC II de 250 MHz	501-4857 o 501-4278
UltraSPARC II de 300 MHz	501-4849 o 501-4196
UltraSPARC II de 400 MHz	501-5239 o 501-5446
UltraSPARC II de 480 MHz	501-5729

Configuración de los módulos de CPU

Antes de configurar el módulo de CPU, determine si el sistema responde a las necesidades de potencia de la nueva configuración. Consulte la sección “Hoja de requisitos de potencia del sistema” en la página 16 y la sección “Cómo determinar las necesidades de potencia del sistema” del manual *Ultra Enterprise 450 Server: Guía del propietario*.



Precaución – Todos los módulos de CPU instalados en un sistema deben operar a la misma frecuencia de reloj.

Configure los módulos de CPU UltraSPARC II del servidor siguiendo las directrices especificadas en la sección “Acerca de los módulos de CPU” del manual *Ultra Enterprise 450 Server: Guía del propietario*.

Si el sistema cuenta con dos fuentes de alimentación y no necesita una fuente de alimentación redundante, siga las instrucciones de la sección “Instalación o extracción de un módulo de CPU”, incluida a continuación.

Instalación o extracción de un módulo de CPU

Antes de instalar o extraer un módulo de CPU, consulte la sección “Acerca de los módulos de CPU” del manual *Ultra Enterprise 450 Server: Guía del propietario*.



Precaución – Antes de instalar un módulo de CPU, lea la sección “Puentes de la placa lógica principal” en la página 12 y compruebe si la configuración de los puentes es adecuada para la frecuencia del módulo que va a instalar. Una disposición incorrecta de los puentes que definen la modalidad de reloj de la placa lógica principal puede ocasionar serios daños en el sistema.

Para instalar o extraer módulos de CPU en el servidor Sun Enterprise 450, siga las instrucciones contenidas en las secciones “Cómo extraer un módulo de CPU Module” y “Cómo instalar un módulo de CPU” del manual *Ultra Enterprise 450 Server: Guía del propietario*.

Nota – Los módulos de CPU de 480 MHz requieren una guía de aire. Para obtener información sobre la extracción e instalación de la guía de aire de la CPU, consulte “Extracción y montaje de la guía de aire de la CPU” en la página 6.

Nota – Si el conector (J0101) de la ranura superior de la CPU (CPU-A1) tiene instalada una placa de protección, retírela antes de instalar el cuarto módulo. Sujete la placa por su parte frontal y deslícela para extraerla de la ranura.

Extracción y montaje de la guía de aire de la CPU

Todas las placas lógicas principales 501-5673 incluyen una guía de aire. En las secciones siguientes se describe el procedimiento de extracción e instalación de la guía de aire de la CPU.



Precaución – La guía de aire es imprescindible para una buena refrigeración del sistema. No inicie el sistema si no ha instalado la guía de aire.

Extracción de la guía de aire de la CPU

Antes de extraer o instalar los módulos de la CPU, debe quitar la guía de aire.



Precaución – Un proveedor de mantenimiento con la preparación adecuada deberá realizar este procedimiento. Toda persona que extraiga los paneles exteriores para acceder al equipo deberá respetar las advertencias de seguridad y cumplir los requisitos de capacitación y homologación, así como los establecidos por la legislación local y nacional vigente.

Antes de empezar

Realice los procedimientos descritos en el manual *Ultra Enterprise 450 Server: Guía del propietario*:

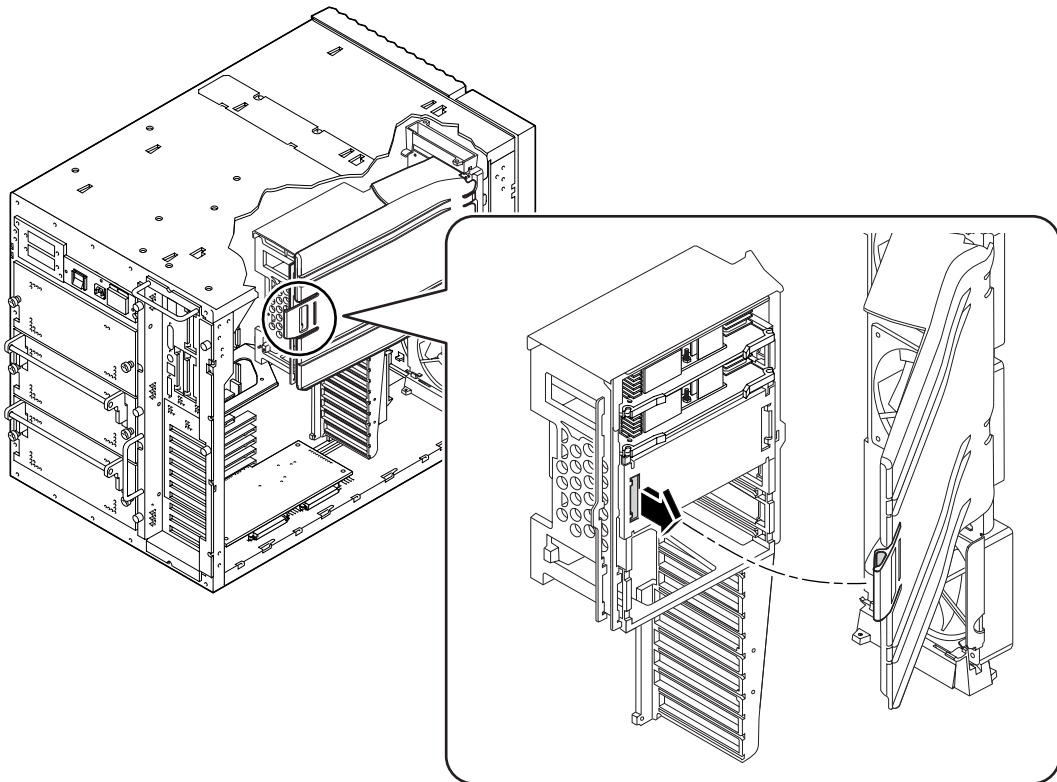
- “Cómo apagar el sistema”
- “Cómo extraer el panel lateral izquierdo”
- “Cómo evitar las descargas electrostáticas”

Qué hacer

Para extraer la guía de aire de la CPU, realice lo siguiente:

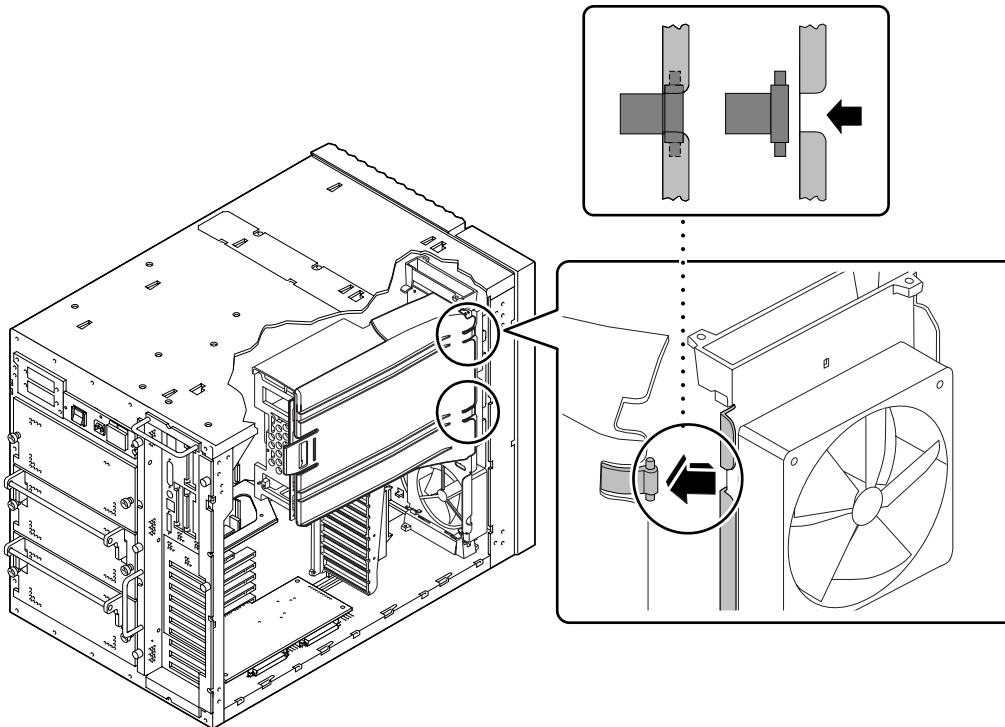
1. Tire hacia fuera del seguro del lado izquierdo con cuidado y gire la guía de aire para extraerla.

El seguro de la guía debería soltarse del enganche situado en el soporte bifurcado de la placa lógica principal.



2. Desenganche las lengüetas de la guía de aire del conjunto de la bandeja del ventilador de la CPU.

Deslice la guía hacia la parte delantera de la estructura para desengancharla del conjunto de la bandeja del ventilador.



Y después

Consulte las instrucciones de extracción e instalación de los módulos de CPU en la sección “Instalación o extracción de un módulo de CPU” en la página 5 y el manual *Ultra Enterprise 450 Server: Guía del propietario*.

Para volver a montar la guía de aire de la CPU, realice los procedimientos siguientes:

- “Instalación de la guía de aire de la CPU” en la página 9

Instalación de la guía de aire de la CPU



Precaución – La guía de aire es imprescindible para una buena refrigeración del sistema. No ejecute el sistema si no ha instalado la guía de aire.



Precaución – Un proveedor de mantenimiento con la preparación adecuada deberá realizar este procedimiento. Toda persona que extraiga los paneles exteriores para acceder al equipo deberá respetar las advertencias de seguridad y cumplir los requisitos de capacitación y homologación, así como los establecidos por la legislación local y nacional vigente.

Antes de empezar

Realice los procedimientos descritos en el manual *Ultra Enterprise 450 Server: Guía del propietario*:

- “Cómo apagar el sistema”
- “Cómo extraer el panel lateral izquierdo”
- “Cómo evitar las descargas electrostáticas”

Realice también los siguientes procedimientos:

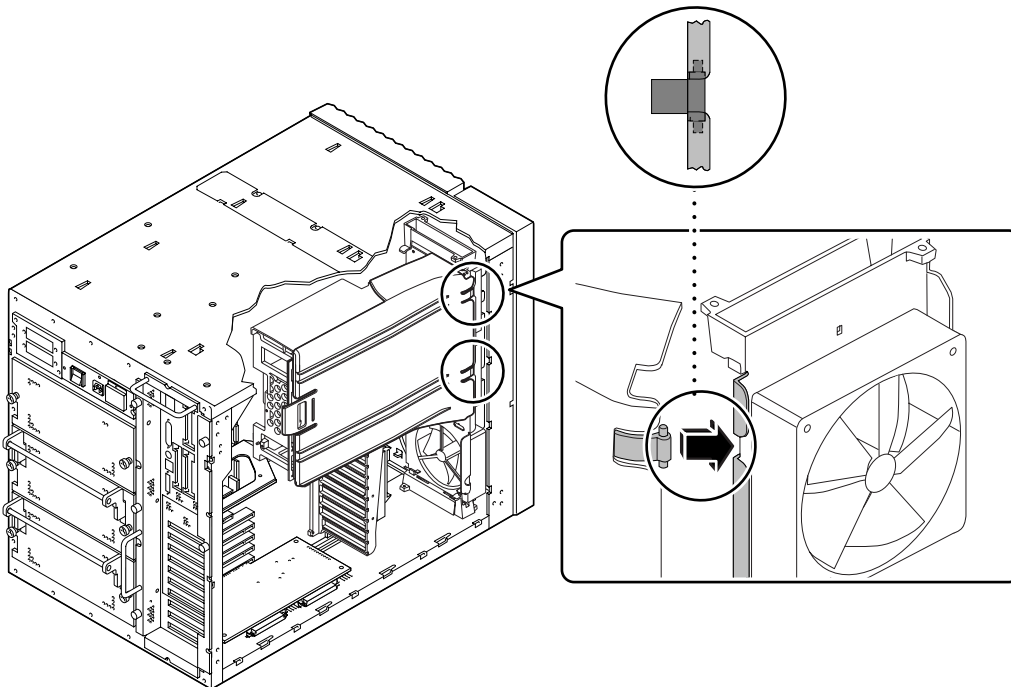
- “Extracción de la guía de aire de la CPU” en la página 6 de este documento

Qué hacer

Para volver a montar la guía de aire de la CPU, realice lo siguiente:

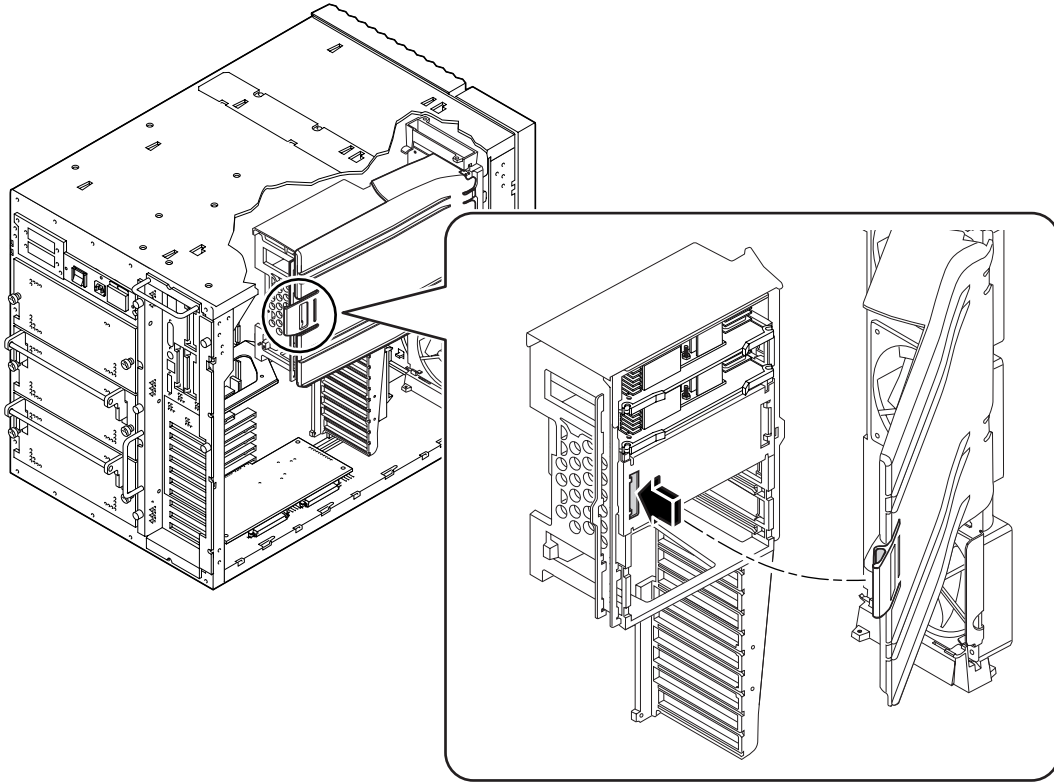
1. **Enganche las lengüetas de la guía de aire por debajo de las ranuras situadas en el conjunto de la bandeja del ventilador de la CPU.**

La guía debe sujetarse en ángulo de forma que quede el espacio suficiente para enganchar las lengüetas en las ranuras.



2. **Deslice la guía hacia la parte posterior de la estructura para fijar las lengüetas al conjunto de la bandeja del ventilador.**

3. Gire la guía contra el soporte bifurcado de la placa lógica principal y cierre el seguro.



Y después

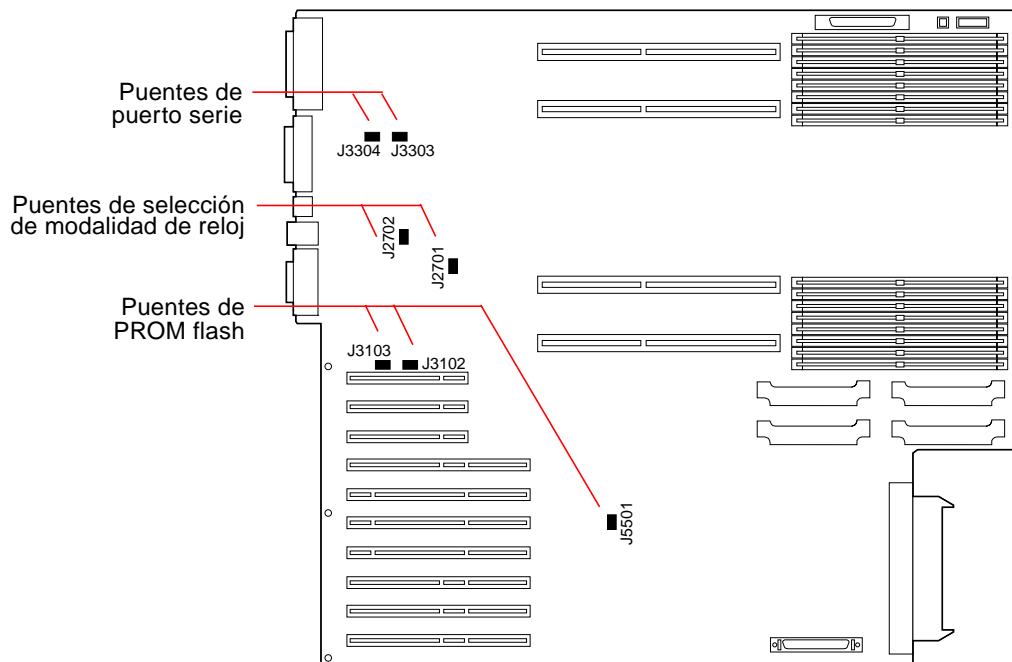
Consulte las instrucciones de reensamblaje y reinicio del sistema en el manual *Ultra Enterprise 450 Server: Guía del propietario*.

Puentes de la placa lógica principal

La información siguiente sustituye a la contenida en el manual *Ultra Enterprise 450 Server: Guía del propietario* con respecto a los puentes de la placa lógica principal.

Nota – Al contrario de lo que se indica en la tabla de la sección “Acerca del puente de selección de la modalidad de reloj”, estos puentes (J2701 y J2702) ahora se utilizan en la placa lógica principal del Sun Enterprise 450 (501-5673).

En la figura siguiente se muestra la ubicación de los puentes de la modalidad de reloj en la placa lógica principal.



Configure el contacto del puente de modalidad de reloj en las direcciones J2701 y J2702 para adecuarlo a la frecuencia del módulo de CPU UltraSPARC II. Compruebe si la configuración de los puentes es correcta antes de iniciar el sistema.

Frecuencia de reloj	J2701	J2702
250 MHz	1 + 2	2 + 3
300 MHz	1 + 2	2 + 3
400 MHz	2 + 3	2 + 3
480 MHz	2 + 3	1 + 2

La tabla en la que se describe la configuración de puentes de la PROM flash no es correcta. Los valores correctos son los siguientes.

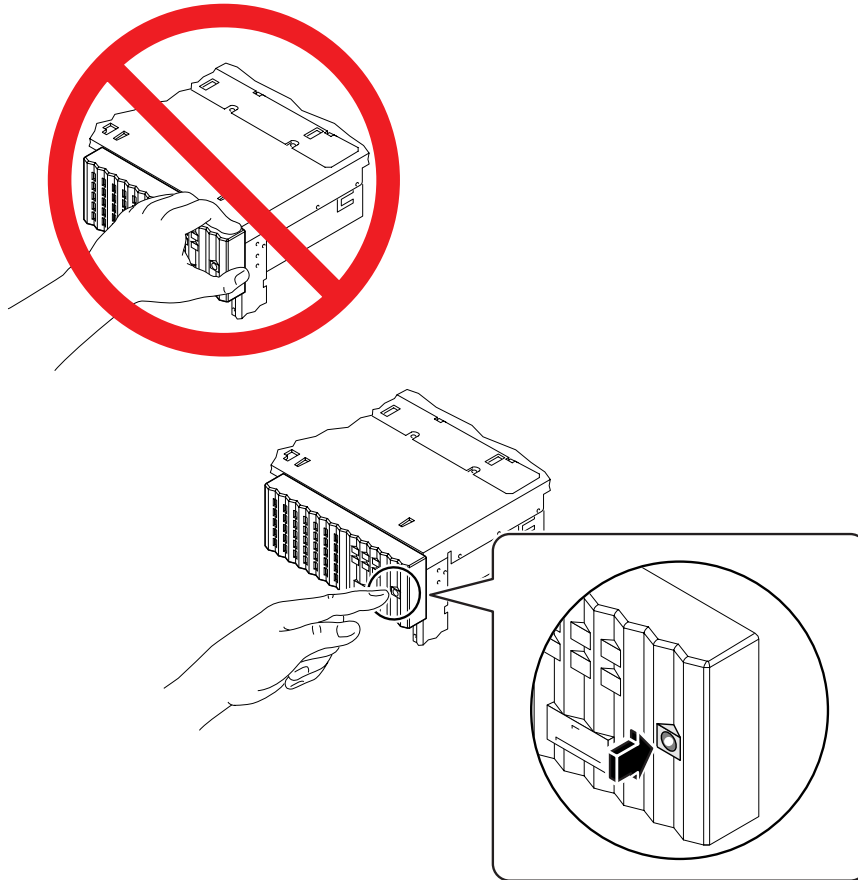
Puente	Contacto en patillas 1 + 2 selecciona	Contacto en patillas 2 + 3 selecciona	Contacto predeterminado en patillas	Controlado por señal
J3102	PROM flash	No utilizable	1 + 2	FLASH PROM SEL
J3103	Protección contra escritura	Escritura habilitada	2 + 3	FLASH PROM PROG ENABLE
J5501	Arranque en la mitad alta	Arranque normal	2 + 3	XOR LOGIC SET

Apertura y cierre de la puerta del conjunto de la unidad extraíble

Para abrir la puerta de la unidad extraíble, presione el botón que está situado a la derecha de la puerta.



Precaución – No tire de la puerta de la unidad extraíble, ya que el cierre podría romperse.



Para cerrar la puerta de la unidad extraíble, presione el botón del lado izquierdo de la puerta.

Extracción o instalación del módulo de NVRAM



Precaución – Antes de desinstalar o instalar un módulo de NVRAM en la placa lógica principal, no olvide desconectar el conector de alimentación de la placa. De no hacerlo así, podría afectar a la información almacenada en el módulo de NVRAM y perjudicar el funcionamiento del sistema. Para desconectar la placa del conector, afloje los tornillos cautivos que sujetan la placa en el panel posterior del sistema y tire de las palancas situadas en la parte trasera de la placa hasta que ésta se separe del conector.

Determinación de la potencia necesaria

La configuración mínima del servidor Sun Enterprise 450 incluye ahora dos fuentes de alimentación que proporcionan suficiente potencia para todas las configuraciones admitidas.

Nota – Si la configuración del sistema precisa alimentación redundante, puede ser necesario añadir una tercera fuente de alimentación.

Hoja de requisitos de potencia del sistema

La información siguiente sirve de complemento a la que encontrará en la sección “Hoja de requisitos de potencia del sistema” del manual *Ultra Enterprise 450 Server: Guía del propietario*. Si va a instalar cualquiera de los componentes citados a continuación, utilice la tabla siguiente para calcular las necesidades de potencia:

- Módulo de CPU de 480 MHz con 8 Mbytes de caché ext.
- Módulo de CPU de 400 MHz con 4 Mbytes de caché ext.
- Unidad de CD-ROM SunCD™ 32
- Unidad de DVD ROM
- Unidad de disco duro de 18 Gbytes
- Unidad de disco duro de 36 Gbytes
- Unidad de cinta DDS4

N° de línea	Opción	Ctd	Amp a +3,3 VCC	Total amp a 3,3 V	Amp a +5 VCC	Total amp a 5 V	Amp a +12 VCC	Total amp a 12 V
Opciones de CPU								
	CPU de 480 MHz con 8 MB de caché ext. y conversor DC/DC		7,5		6,7			
	CPU de 400 MHz con 4 MB de caché ext. y conversor DC/DC		5,0		5,6			
Opciones de dispositivo de almacenamiento interno								
	Unidad de CD-ROM SunCD 32				0,55		0,61	
	Unidad de DVD ROM				0,42		0,51	
	Unidad de disco duro de 18 GB				0,8		0,5	
	Unidad de disco duro de 36 GB				0,8		0,5	
	Unidad de cinta DDS4				0,9		0,5	

Función de bloqueo puntual de la fuente de alimentación

La fuente de alimentación del Sun Enterprise 450 incluye una función de bloqueo puntual que le permite “recordar” su última operación de encendido/apagado como respuesta a una interrupción del suministro de energía o a la desconexión del cable de alimentación de CA. Gracias a esta función, las fuentes de alimentación pueden reanudar el funcionamiento de forma automática cuando se restablece el suministro y es posible sustituirlas sin necesidad de apagar el sistema.

Bajo determinadas circunstancias, esta función puede considerarse como un fallo de la fuente de alimentación. Si se extrae una fuente de alimentación de un sistema apagado y se intenta su instalación en marcha cuando el sistema está encendido, la fuente de alimentación permanece en estado inactivo (Off). Esto no debe interpretarse como un fallo de la fuente de alimentación. Para reactivarla, basta cambiar el selector del panel frontal de la posición Power-On (marcha) a la posición Diagnostics (diagnóstico) y volver a situarlo a continuación en Power-On. Como alternativa, se puede presionar la tecla Power-On del teclado Sun Tipo 5 conectado al sistema.

Requisitos de software del sistema

El servidor Sun Enterprise 450 necesita tener instalado Solaris 2.5.1 Hardware: 11/97, Solaris Hardware 2.6: 3/98, Solaris 7, Solaris 8 o una versión posterior de Solaris que sea compatible. Para comprobar si se encuentra instalada la versión adecuada del entorno operativo, examine el archivo `/etc/release`, que debe contener, por ejemplo, el texto “Solaris 2.5.1 Hardware: 11/97” o especificar una versión posterior compatible de Solaris.

Para obtener más información sobre la compatibilidad del software, consulte la publicación de Sun *Instalación des software de Solaris en determinados sistemas de hardware* (806-4005) que se suministra con el CD de instalación del entorno operativo.

Cualquier modificación de software necesaria para la versión de Solaris en uso puede encontrarse en las páginas Web de SunSolve Online en la dirección:

<http://sunsolve.Sun.COM/>

Unidades SPARCstorage MultiPack

Existe un problema de compatibilidad entre los adaptadores de sistema SCSI con bus PCI (incorporados o de expansión) del servidor Sun Enterprise 450 y algunas unidades antiguas SPARCstorage™ MultiPack (SMP) Fast/Wide SCSI que pueden contener unidades UltraSCSI (Fast-20). Los adaptadores de sistema disponibles en los servidores Sun Enterprise 450 adoptan el modo de funcionamiento UltraSCSI cuando hay dispositivos UltraSCSI presentes, pero algunas unidades SPARCstorage MultiPack (las versiones de 6 y 12 unidades) no admiten el funcionamiento UltraSCSI. El intento de utilizar esta configuración puede provocar una disminución del rendimiento del bus SCSI y un posible fallo grave del sistema.

Solución: Antes de utilizar esta configuración, desactive el modo UltraSCSI para cada entrada del controlador conectada a la unidad SMP. Consulte las páginas del comando `man` correspondientes a `pci(4)`, `glm(7D)` e `isp(7D)` para obtener más información.

Nota – El uso de otra solución alternativa que implique un cambio global de la opción SCSI a través de `/etc/system` podría acarrear la pérdida del modo UltraSCSI en las placas posteriores de discos del sistema.

Este problema no existe con los sistemas SPARCstorage MultiPack 2 de 6 unidades, que sí admiten el modo UltraSCSI.

Requisitos ambientales

La información siguiente sirve de complemento a la que encontrará en la sección “Environmental Requirements” que está incluida en el Apéndice B “System Specifications” de la versión en inglés del manual *Ultra Enterprise 450 Server: Guía del propietario* (805-0429-10).

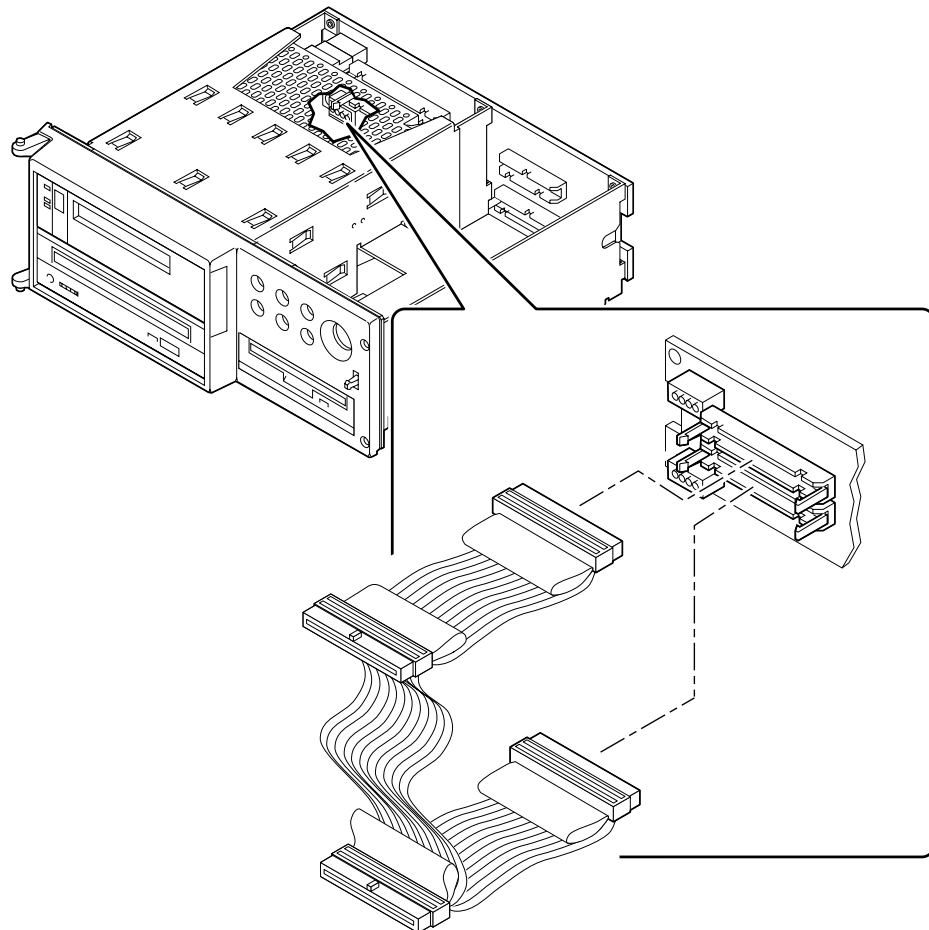
Parámetro	Valor
Funcionamiento	
Temperatura	5° C a 40° C ¹ (41° F a 95° F)—IEC 68-2-1, 68-2-2
Altitud	0 a 3000 metros (0 a 10.000 pies)—IEC 68-2-40, 68-2-41

1. Si se instala uno o varios módulos de 400 MHz, la temperatura ambiente máxima permitida durante el funcionamiento disminuirá desde 40° C (95° F) a intervalos de 0,8° C (1,44° F) por cada 304,8 metros (1000 pies), hasta los 3.000 metros (10.000 pies), por encima de los 1.500 metros (5.000 pies).

Instalación del cable de datos de la unidad SCSI

El procedimiento de conexión del cable de datos de la unidad SCSI a la unidad extraíble que se describe en el manual *Ultra Enterprise 450 Server: Guía del propietario* y la aplicación *ShowMe How Multimedia* es incorrecto. Conforme al procedimiento indicado en éstos, los conectores de los extremos del cable se conectan a los dispositivos SCSI y los dos conectores situados en el centro del cable se fijan a la placa posterior de la unidad extraíble. Esta conexión es incorrecta.

En una instalación adecuada, los dos extremos libres del cable se conectan a la placa posterior de la unidad, como se ilustra a continuación.



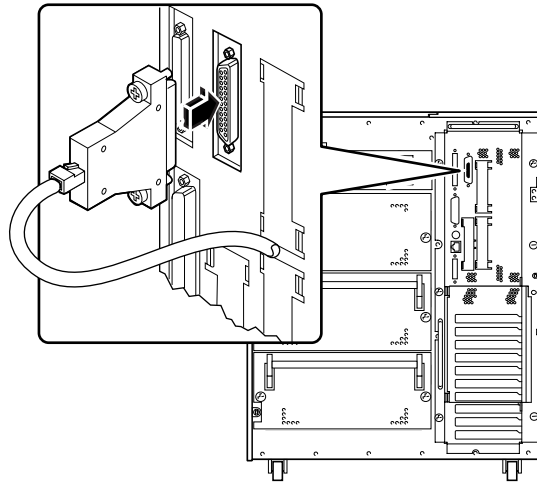
Consulte esta ilustración cuando realice los procedimientos descritos en el manual *Ultra Enterprise 450 Server: Guía del propietario* y en la aplicación *ShowMe How Multimedia*:

- “Cómo extraer la placa posterior de la unidad extraíble”
- “Cómo instalar la placa posterior de la unidad extraíble”
- “Cómo extraer una unidad de CD-ROM o de cinta”
- “Cómo instalar una unidad de CD-ROM o de cinta”
- “Cómo desconectar el cable de datos de la unidad SCSI”
- “Cómo conectar el cable de datos de la unidad SCSI”

Nota – La instalación del cable conforme a lo descrito en el manual *Ultra Enterprise 450 Server: Guía del usuario* y la aplicación *ShowMe How Multimedia* no perjudica al funcionamiento ni al rendimiento del sistema. Sin embargo, las instrucciones incluidas en esta notas sobre el producto facilitan la conexión y evitan posibles daños durante la instalación.

Conexión de un terminal alfanumérico

La figura del manual *Ultra Enterprise 450 Server: Guía del propietario* indica una ubicación incorrecta del conector del puerto serie en el panel posterior del servidor. La ubicación correcta se muestra a continuación.



Montaje en rack del servidor Sun Enterprise 450

Existe un kit de montaje en rack opcional para la instalación del Sun Enterprise 450 en un rack EIA estándar de 19 pulgadas. Para obtener más información al respecto, póngase en contacto con un representante autorizado de Sun.

La información relativa a la colocación en rack del Sun Enterprise 450 puede encontrarse en la siguiente dirección de Web:

<http://docs.sun.com>

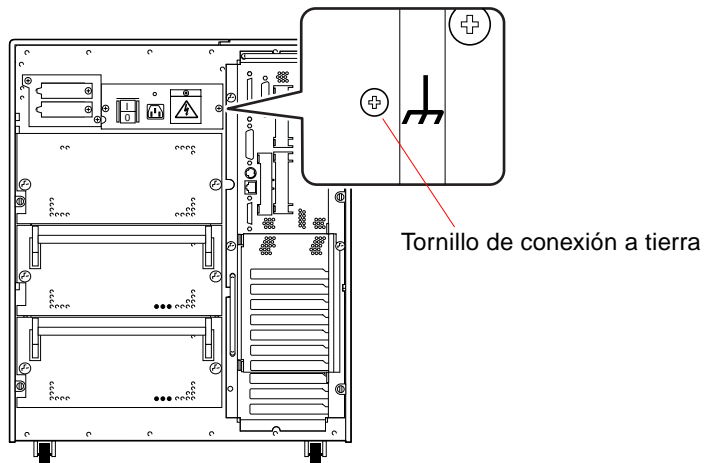
Haga clic en “Almacenamiento y periféricos” dentro de la sección de Hardware y abra *Rackmount Placement Matrix*.

Nota – Antes de instalar el Sun Enterprise 450 en un Enterprise Expansion Cabinet de Sun, no olvide retirar la placa protectora inferior de la parte trasera del armario, para dar cabida a dos servidores Sun Enterprise 450. Consulte la documentación que acompaña al Sun Enterprise Expansion Cabinet para obtener más información.

Conexión de periféricos montados en rack

Al conectar un servidor de escritorio Sun Enterprise 450 a cualquier periférico montado en rack, asegúrese de conectar una tira para conexión a tierra adecuada entre el servidor y la cobertura del rack. Esta cinta impide bucles de conexión a tierra entre los dos sistemas y protege frente a posibles pérdidas de datos.

Normalmente se suministra una tira para conexión a tierra con la cobertura del rack. Conecte un extremo de la cinta al punto de conexión a tierra designado en la cobertura y el otro extremo al tornillo de conexión a tierra del servidor Sun Enterprise 450, como se muestra en la figura siguiente. No olvide apretar con firmeza el tornillo para que la conexión sea correcta.



Precaución – El tornillo de conexión a tierra del Sun Enterprise 450 es un componente esencial para la protección frente a daños producidos por fallos del suministro de energía. Una instalación incorrecta del mismo puede crear una situación de riesgo para el sistema.

Compatibilidad electromagnética

El servidor Sun Enterprise 450 cumple las especificaciones de Clase A relativas a las interferencias electromagnéticas (EMI) de acuerdo con las normas internacionales. Algunas de estas normas están indicadas en la “Declaración de conformidad” de la sección “Regulatory Compliance Statements” al principio de este documento.



Precaución – Lea las secciones incluidas en “Regulatory Compliance Statements” al principio de este documento para obtener información sobre los equipos de Clase A. En éstas se incluyen algunas de las medidas que pueden tomarse para solucionar problemas de interferencias. Si dese obtener información detallada, consulte el aviso de Clase B de la FCC en “Regulatory Compliance Statements”.

Conjunto del ventilador superior

El conjunto del ventilador superior (número de referencia 540-3023) ya no forma parte del servidor Sun Enterprise 450, pero los procedimientos descritos en el manual *Ultra Enterprise 450 Server: Guía del propietario* y la aplicación *ShowMe How Multimedia* dan por supuesto que existe este componente. Para llevar a cabo cualquier procedimiento que implique la desinstalación de la placa lógica principal, las instrucciones indican que debe desconectarse el cable del ventilador superior antes de extraer la placa. Dado que el sistema no incluye dicho ventilador, no es necesario tener en cuenta este paso.

Conmutadores de bloqueo de la alimentación

El servidor Sun Enterprise 450 incluye un mecanismo de seguridad de interbloqueo de la alimentación. Si se retira alguno de los paneles laterales del sistema, se activan los interruptores de bloqueo de la corriente, que impiden que la corriente CC pueda alcanzar a algún componente interno cuando falta alguno de los paneles y el interruptor de CA está encendido. No retire los paneles laterales mientras el sistema está en funcionamiento, ya que el sistema se apagaría bruscamente.

Clasificación de componentes

La información siguiente sirve de complemento a la que encontrará en la tabla del manual *Ultra Enterprise 450 Server: Guía del propietario*.

Nota – Aunque los números de referencia incluidos en esta sección se consideran válidos a la fecha de publicación de estas notas sobre el producto, están sujetos a cambios sin previo aviso. Antes de hacer el pedido de una pieza de repuesto, póngase en contacto con un representante autorizado de Sun o con el proveedor de servicios para verificar el número de referencia.

Categoría	Pieza de repuesto	N° referencia
Placa lógica principal y componentes	Placa lógica principal, 250 y 300 MHz	501-5270
	Placa lógica principal, 400 MHz	501-5672
	Placa lógica principal, 480 MHz	501-5673
	DIMM, 256 MB, 60 NS	501-4743
	Módulo de CPU UltraSPARC II (250 MHz, 1 MB caché ext)	501-4857
	Módulo de CPU UltraSPARC II (300 MHz, 2 MB caché ex)	501-4849
	Módulo de CPU UltraSPARC II (400 MHz, 4 MB caché ex)	501-5239
	Módulo de CPU UltraSPARC II (480 MHz, 8 MB caché ex)	501-5729
Placas posteriores	Placa posterior UltraSCSI de 8 ranuras	501-5274
Dispositivos de almacenamiento	Unidad de CD-ROM SunCD 32	370-3416
	Unidad de DVD ROM	390-0025
	Unidad de disco UltraSCSI de 9 GB, 7200 rpm	501-3704
	Unidad de disco UltraSCSI de 18 GB	540-4177
	Unidad de disco UltraSCSI de 36 GB	540-4521
Cables internos	Unidad de cinta DDS4	390-0028
	Cable de interfaz LED	530-2363 ¹

1. Sustituye a 530-2362

Sun Enterprise 450 Server

Produktinformation

I den här produktinformationen finner du senaste nytt om Sun Enterprise™ 450 (sådan information som vi inte hann få med i system- eller multimedia-dokumentationen). Följande ämnen tas upp:

- “Kontrollera stöd för 480-MHz CPU-moduler” på sidan 2
- “Kontrollera version av OpenBoot processorkod” på sidan 3
- “Om UltraSPARC II-CPU-moduler” på sidan 4
- “Konfigurera CPU-moduler” på sidan 5
- “Ta bort och installera CPU-moduler” på sidan 5
- “Ta bort och sätta tillbaks luftstyrning för CPU” på sidan 6
- “Huvudlogikkortets byglar” på sidan 12
- “Öppna och stänga luckan för löstagbara media” på sidan 14
- “Ta ur och sätta i NVRAM-modulen” på sidan 15
- “Avgöra vilken strömförsörjning som behövs” på sidan 15
- “Nättaggregatets minne för strömläge” på sidan 17
- “Krav på systemprogramvara” på sidan 17
- “SPARCstorage MultiPack-enheter” på sidan 18
- “Driftsmiljö” på sidan 18
- “Installera SCSI-enhetskabel” på sidan 19
- “Ansluta en alfanumerisk terminal” på sidan 20
- “Rackmontering av Sun Enterprise 450 Server” på sidan 21
- “Ansluta rackmonterade tillbehör” på sidan 21
- “Elektromagnetisk kompatibilitet” på sidan 22
- “Sats för övre blåsare” på sidan 23
- “Strömspär” på sidan 23
- “Sprängskiss” på sidan 24

Kontrollera stöd för 480-MHz CPU-moduler

För att kontrollera om servern stöder moduler på 480 MHz kan du använda ett UNIX[®]-kommando. Du kan även få fram det via `ok`-ledtexten.

Från en konsol eller kommandofönster gör du så här:

- **Skriv in följande kommando vid UNIX-ledtexten:**

```
% /usr/sbin/prtconf -pv | grep "501-5673"
```

Om du får fram numret 501-5673 går du till avsnittet "Om UltraSPARC II-CPU-moduler" på sidan 4 i denna handbok.

Om du inte får något nummer är systemkortets artikelnummer inte 501-5673. Du kan inte installera den nya UltraSPARC II-CPU-modulen på 480 MHz på det nuvarande huvudlogikkortet. Kontakta din Sun[™]-återförsäljare för att beställa en uppgradering. Följ installationsinstruktionerna för kort och CPU-modul i *Sun Enterprise 450 Server Board Upgrade Guide*.

Om ledtexten `ok` visas gör du så här:

1. **Skriv in följande kommando::**

```
ok cd /
```

2. **Skriv in följande kommando för att få en lista med data om systemet:**

```
ok .prp
```

Titta i utmatningen under `model`. Om systemkortet inte har artikelnummer 501-5673 (eller det inte står något artikelnummer), kan du inte installera den nya 480 MHz-modulen. Kontakta din Sun-återförsäljare för att beställa en uppgradering. Följ installationsinstruktionerna för CPU-modulen i *Sun Enterprise 450 Server Board Upgrade Guide*.

Om systemkortsnumret är 501-5673 går du till nästa avsnitt "Om UltraSPARC II-CPU-moduler" på sidan 4 i denna handbok.

Kontrollera version av OpenBoot processorkod

För att kontrollera om servern stöder moduler på 480 MHz kan du använda ett UNIX[®]-kommando. Du kan även få fram det via ok-ledtexten.

Från en UNIX-konsol eller kommandoprompten gör du så här:

- **Skriv in följande kommando vid UNIX-ledtexten:**

```
% /usr/sbin/prtconf -v | grep OBP
```

Om ledtexten ok visas gör du så här:

- **Skriv in följande kommando:**

```
ok .version
```

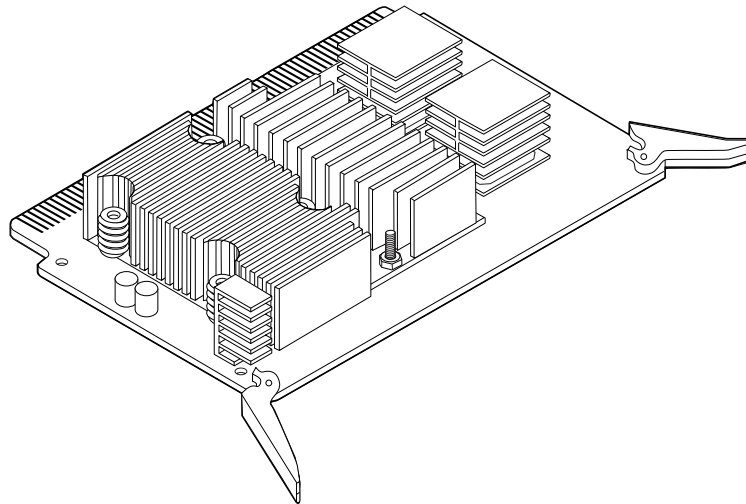
Om versionsnumret som returneras är 3.18 eller högre kompatibel version stöder den inbyggda processorkoden de snabbare modulerna. Mer information finns i avsnittet "Kontrollera stöd för 480-MHz CPU-moduler" på sidan 2. Om versionsnumret som returneras är lägre än 3.18 måste du uppdatera OpenBoot[™] processorkod via en flash-uppdatering.

Gå till SunSolve Online[™] på internetadressen URL <http://sunsolve.Sun.COM> för mer information om hur du genomför en flash-uppdatering av ditt systems processorkod.

När du vill ladda ner en flash-uppdatering går du först till hemsidorna för SunSolve Online. Klicka på "Patches" och därefter på "Find Patch". Sök efter uppgradering 106503 och följ sedan instruktionerna på skärmen.

Om UltraSPARC II-CPU-moduler

Sun Enterprise 450 stöder upp till fyra UltraSPARC™ II-CPU-moduler på 250 MHz, upp till fyra på 300 MHz, upp till fyra på 400 MHz eller upp till fyra moduler på 480 MHz. Följande figur visar den nya "nakna" UltraSPARC II-CPU-modulen på 480 MHz som har 8 Mbyte integrerat cache-minne



Innan du installerar en ny CPU-modul måste du kontrollera att den finns med i följande lista med UltraSPARC II-moduler för Sun Enterprise 450-serverar. I tabellen finns de olika CPU-hastigheterna angivna.

Modulhastighet (i MHz)	Artikelnummer
250-MHz UltraSPARC II	501-4857 eller 501-4278
300-MHz UltraSPARC II	501-4849 eller 501-4196
400-MHz UltraSPARC II	501-5239 eller 501-5446
480-MHz UltraSPARC II	501-5729

Konfigurera CPU-moduler

Innan du konfigurerar CPU-modulen/modulerna måste du ta reda på om systemet klarar av att ge så mycket ström som den nya konfigurationen kommer att behöva. Läs i "Systemets strömförbrukning" på sidan 16 i den här handboken, och se avsnittet "Hur man avgör systemets kraftbehov" i *Ultra Enterprise 450 Server Användarhandbok*.



Varning – Alla CPU:er i ett system måste gå på samma hastighet.

Konfigurera UltraSPARC II-CPU-modulerna i servern enligt de regler som finns i avsnittet "Om CPU-moduler" i *Ultra Enterprise 450 Server Användarhandbok*.

Om systemet har två nätaggregat och du inte behöver någon redundant strömförsörjning kan du nu fortsätta med instruktionerna i nästa avsnitt "Ta bort och installera CPU-moduler".

Ta bort och installera CPU-moduler

Innan du installerar eller tar bort några CPU-moduler bör du läsa avsnittet "Om CPU-moduler" i *Ultra Enterprise 450 Server Användarhandbok*.



Varning – Innan du installerar en CPU-modul bör du läsa avsnittet "Huvudlogikkortets byglar" på sidan 12 i denna handbok och kontrollera att byglarna är inställda för den hastighet som den nya processorn skall köras på. Systemet kan skadas allvarligt om huvudlogikkortets bygel för klockläge är felaktigt inställd.

Om du vill installera eller ta bort CPU-moduler i en Ultra Enterprise 450-server måste du följa instruktionerna i avsnitten "Hur man tar bort en CPU-modul" och "Hur man installerar en CPU-modul" i *Ultra Enterprise 450 Server Användarhandbok*.

Obs! – CPU-modulen på 480-MHz kräver en särskild luftstyrning. Mer information om hur du tar bort och sätter tillbaks luftstyrningen finns i avsnittet "Ta bort och sätta tillbaks luftstyrning för CPU" på sidan 6.

Obs! – Innan du installerar en fjärde CPU-modul i den översta CPU-platsen (CPU-A1) måste du ta ur den tomma plugg som eventuellt sitter i kontakten (J0101). Ta tag i det främre handtaget på pluggen och dra ut den ur CPU-platsen.

Ta bort och sätta tillbaks luftstyrning för CPU

På huvudlogikkort med nummer 501-5673 finns en luftstyrning installerad. I följande avsnitt beskrivs hur du tar bort och sätter tillbaks luftstyrningen.



Varning – Luftstyrningen är nödvändig för korrekt kylning av systemet. Starta aldrig systemet utan att luftstyrningen är på plats.

Ta bort luftstyrningen

Du måste ta bort luftstyrningen innan du kan ta bort eller installera CPU-moduler.

Varning – Denna procedur får bara utföras av utbildad serviceleverantör. Personal som tar bort någon av de yttre panelerna måste följa alla säkerhetsföreskrifter och uppfylla gällande kunskapskrav, certifieringar och nationella samt lokala lagar och förordningar.

Innan du börjar

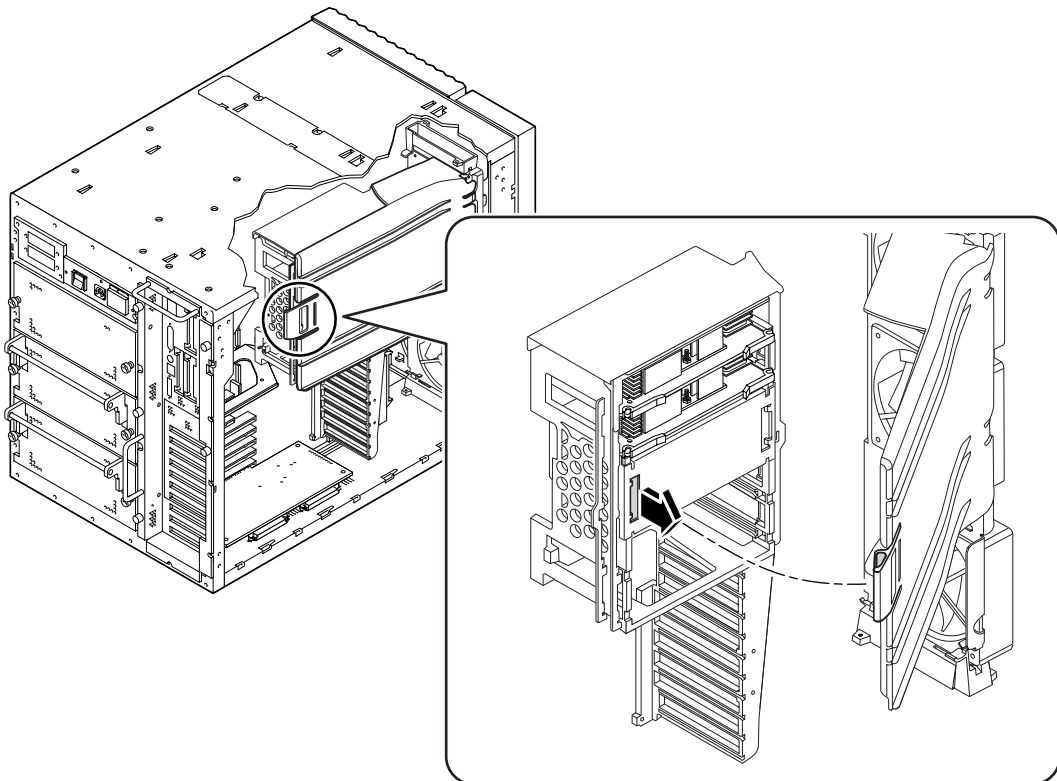
Genomför följande moment enligt beskrivningarna i *Ultra Enterprise 450 Server Användarhandbok*:

- “Hur man stänger av systemet”
- “Hur man tar bort panelen på vänster sida”
- “Hur man undviker elektrostatisk urladdning”

Att göra

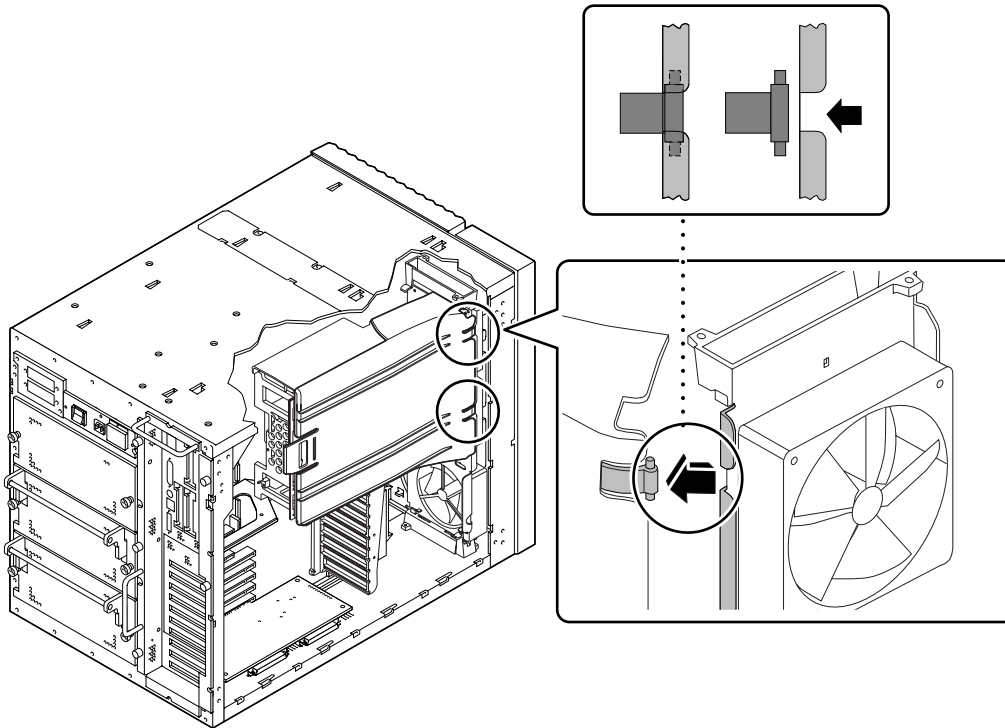
Följ nedanstående instruktioner när du vill ta bort luftstyrningen:

- 1. Dra försiktigt läset på vänster sida emot dig och sväng ut luftstyrningen.**
Läset för luftstyrningen ska lossa från fästet på huvudlogikkortets Y-fäste.



2. Haka av luftstyrningens pinnar från fläktens montage.

Dra luftstyrningen framåt mot fronten på chassit för att lossa den från fläktbrickans montage.



Nästa steg

Se avsnittet “Ta bort och installera CPU-moduler” på sidan 5 och *Ultra Enterprise 450 Användarhandbok* för mer instruktioner om hur du tar bort och installerar CPU-moduler.

När du vill sätta tillbaka luftstyrningen hittar du mer information i avsnittet:

- “Sätta tillbaka luftstyrning för CPU” på sidan 9

Sätta tillbaks luftstyrning för CPU



Varning – Luftstyrningen är nödvändig för korrekt kylning av systemet. Starta aldrig systemet utan att luftstyrningen är på plats.



Varning – Denna procedur får bara utföras av utbildad serviceleverantör. Personal som tar bort någon av de yttre panelerna måste följa alla säkerhetsföreskrifter och uppfylla gällande kunskapskrav, certifieringar och nationella samt lokala lagar och förordningar.

Innan du börjar

Genomför följade moment enligt beskrivningarna i *Ultra Enterprise 450 Server Användarhandbok*:

- “Hur man stänger av systemet”
- “Hur man tar bort panelen på vänster sida”
- “Hur man undviker elektrostatisk urladdning”

Följ dessutom instruktionerna i avsnittet:

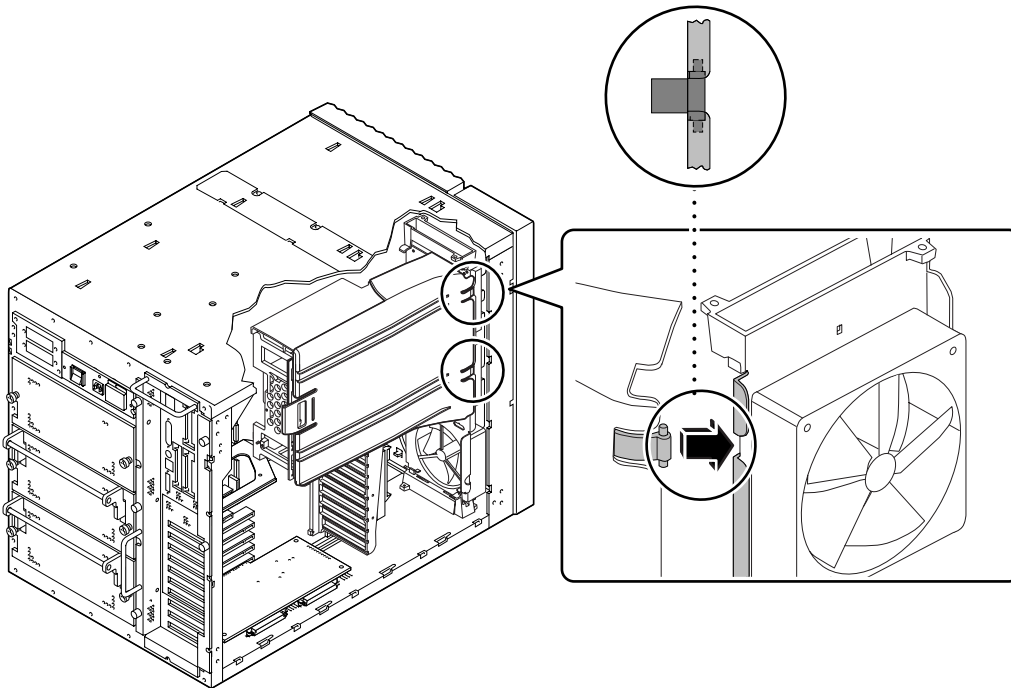
- “Ta bort luftstyrningen” på sidan 6 i denna handbok

Att göra

Följ instruktionerna nedan när du vill sätta tillbaka luftstyrningen:

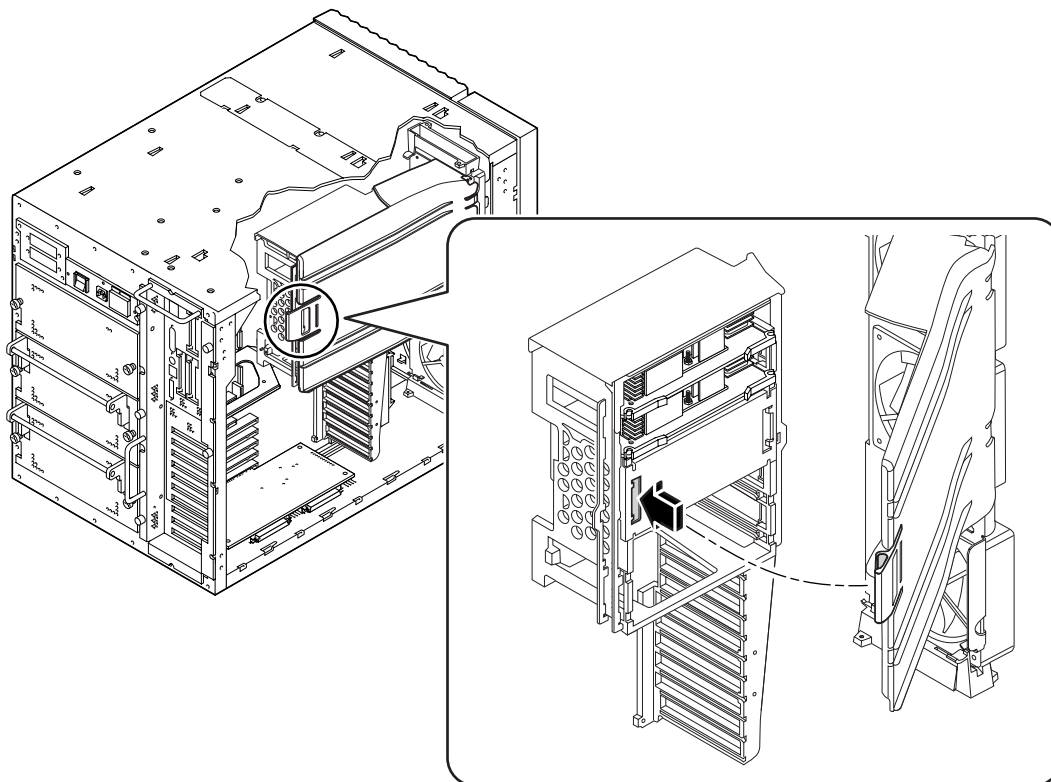
1. Haka fast styripinnarna i spåren på fläktbrickans montage.

Luftstyrningen måste hållas i vinkel för att nog mycket utrymme ska finnas för att haka fast pinnarna i spåren i fläktbrickans montage.



2. Skjut luftstyrningen mot bakänden av chassit så att luftstyrningens pinnar läses i rätt läge på fläktbrickan.

3. Vrid styrningen moy Y-fästet på huvudlogikkortet och snäpp fast läsningen.



Nästa steg

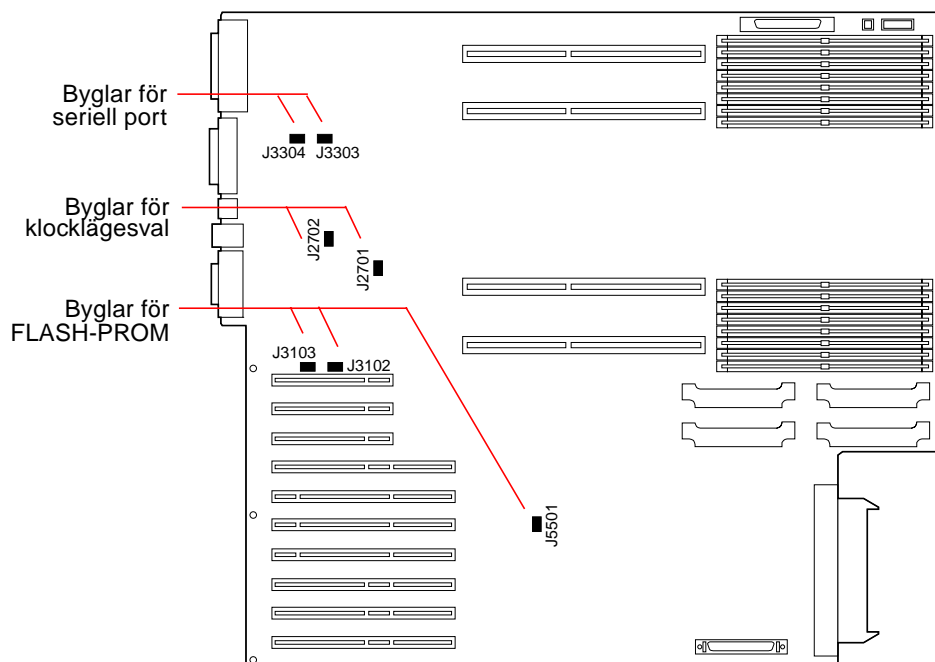
I *Ultra Enterprise 450 Användarhandbok* hittar du mer instruktioner om hur du startar om systemet.

Huvudlogikkortets byglar

Följande information gäller i stället för den information om huvudlogikkortets byglar som finns i *Ultra Enterprise 450 Server Användarhandbok*.

Obs! – I motsats till vad som anges i tabellen i avsnittet “Om bygeln för klocklägesval” används numera byglarna J2701 och J2702 för klocklägesval på Sun Enterprise 450 servers huvudlogikkort (501-5673).

Nedanstående bild visar placeringen av byglarna för klocklägesval på huvudlogikkortet.



Ställ in byglarna för klocklägesval på adresserna J2701 och J2702 så att det överensstämmer med hastigheten på din UltraSPARC II-CPU-modul. Kontrollera att bygeln är korrekt inställd innan du startar systemet.

Klocka	J2701	J2702
250 MHz	1 + 2	2 + 3
300 MHz	1 + 2	2 + 3
400 MHz	2 + 3	2 + 3
480 MHz	2 + 3	1 + 2

Den tabell som beskriver de olika inställningarna för de tre flash-PROM-byglarna är felaktig. En korrigerad version av tabellen finns här nedan.

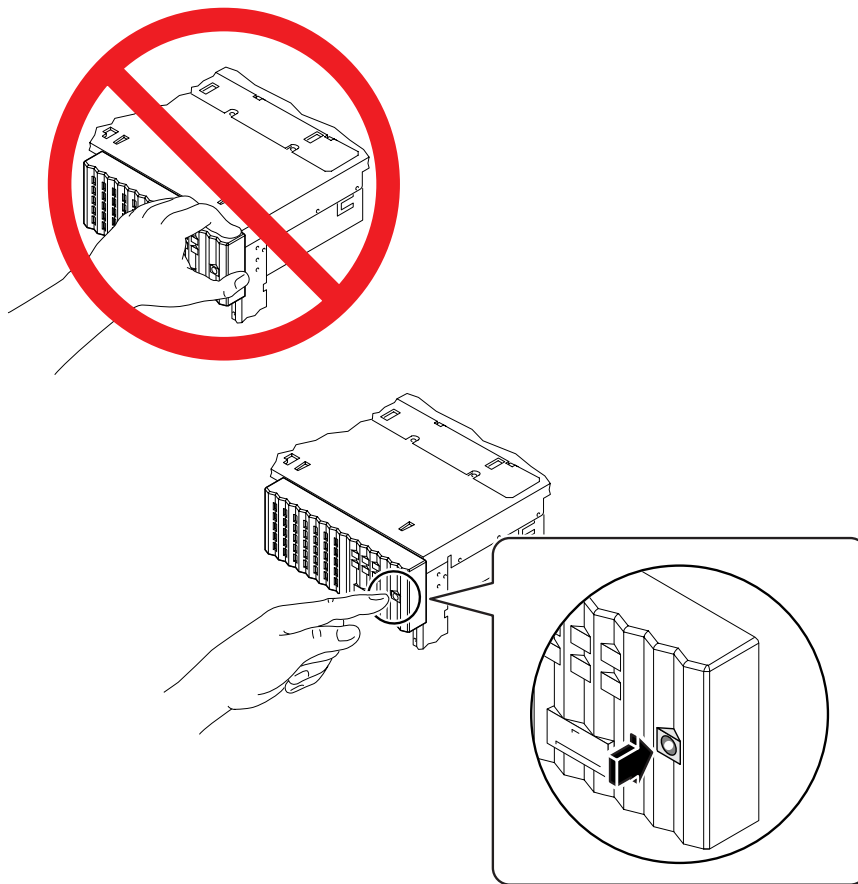
Bygel	Block på stift 1 + 2...	Block på stift 2 + 3...	Standardläge för blocket	Styrd signal
J3102	anger flash-PROM	skall ej användas	1 + 2	FLASH PROM SEL
J3103	skrivskydd	anger att skrivning är tillåten	2 + 3	FLASH PROM PROG ENABLE
J5501	start av övre halvan	anger normal start	2 + 3	XOR LOGIC SET

Öppna och stänga luckan för löstagbara media

När du vill öppna luckan för löstagbara media trycker du på knappen till höger på luckan.



Varning – Dra aldrig i luckan för löstagbara media. Om du drar i luckan kan låsningsmekanismen skadas.



När du vill stänga luckan för löstagbara media trycker du på knappen till höger på luckan igen.

Ta ur och sätta i NVRAM-modulen



Varning – Innan du tar ur eller installerar en NVRAM-modul på huvudlogikkortet måste du se till att kortet är losskopplat från sin strömkontakt. I annat fall kan information lagrad i NVRAM-modulen skadas och systemet påverkas på ett mycket allvarligt sätt. För att koppla loss kortet från kontakten skruvar du ur de skruvar som håller fast kortet vid systemets bakpanel och trycker ned handtagen längst bak på kortet tills det är helt losskopplat från strömkontakten.

Avgöra vilken strömförsörjning som behövs

Minimikonfigurationen av Sun Enterprise 450 innehåller nu två nätaggregat, vilket är tillräckligt för alla konfigurationer som stöds.

Obs! – Om systemkonfigurationen kräver redundant strömförsörjning måste du eventuellt installera ett tredje aggregat.

Systemets strömförbrukning

Följande information utgör ett tillägg till avsnittet "Arbetsblad för systemets kraftbehov" i *Ultra Enterprise 450 Server Användarhandbok*. Om du skall beräkna strömbehoven för ett system där någon av följande komponenter skall ingå, behöver du följande information:

- 480-MHz CPU-modul med 8-Mbyte Ecache
- 400-MHz CPU-modul med 4-Mbyte Ecache
- SunCD™ 32 CD-ROM
- DVD ROM
- 18-Gb hårddisk
- 36-Gb hårddisk
- DDS4 bandstation

Rad nr	Tillval	Ant	+3,3 volt likström amp	Total amp @ 3,3 V	+5 volt likström amp	Total amp @ 5 V	+12 volt likström amp	Total amp @ 12 V
CPU-tillval								
	480 MHz CPU med 8 Mbyte Ecache och DC/DC-omvandlare		7,5		6,7			
	400 MHz CPU med 4 Mbyte Ecache och DC/DC-omvandlare		5,0		5,6			
Tillval för interna lagringsenheter								
	SunCD 32 CD-ROM				0,55		0,61	
	DVD ROM				0,42		0,51	
	18 Gb hårddisk				0,8		0,5	
	36 Gb hårddisk				0,8		0,5	
	DDS4 bandstation				0,9		0,5	

Nätaggregatets minne för strömläge

Nätaggregaten i Sun Enterprise 450 har ett minne för strömläge som gör att de kan "komma ihåg" om de är i läge "på" eller "av" om ett strömavbrott skulle inträffa, eller växelströmskabeln dras ur. Detta innebär att nätaggregaten kan gå igång igen automatiskt så fort strömmen kommer tillbaka. Den gör det även möjligt att byta nätaggregat under drift.

Under vissa förhållanden gör dock den här funktionen att det ser ut som om det vore fel på nätaggregatet. Om du skulle ta ur ett nätaggregat ur ett avstängt system och sätta i det i ett som är påslaget förblir nätaggregatet avstängt. Du skall inte tolka detta som att aggregatet är defekt. För att aktivera nätaggregatet vrider du helt enkelt frontpanelens nyckelbrytare från läget för påslag ("Power-On") till läget för diagnostik ("Diagnostics") och sedan tillbaka till "Power-On". Om du använder ett Sun Type-5-tangentbord trycker du på "Power-On"-tangenten.

Krav på systemprogramvara

Sun Enterprise 450 kräver Solaris 2.5.1 hårdvara: 11/97, Solaris 2.6 hårdvara: 3/98, Solaris 7, Solaris 8, eller senare kompatibel version av Solaris. Du kan kontrollera att du har en kompatibel version av systemprogramvaran installerad på din Sun Enterprise 450 server genom att öppna filen `/etc/release`. Filen ska t ex innehålla texten "Solaris 2.5.1 Hardware: 11/97" eller beskrivningen av en senare kompatibel version av Solaris.

Mer information om programkompatibilitet finns i publikationen *Installera Solaris på viss maskinvara* (806-4005) som levereras med installations-CD:n för operativsystemet.

Eventuella uppdateringar som kan krävas för din version av Solaris finns på SunSolve Online med internetadressen:

<http://sunsolve.Sun.COM/>

SPARCstorage MultiPack-enheter

För Sun Enterprise 450 föreligger det ett kompatibilitetsproblem mellan inbyggda värdadapttrar och tillvalsvärdadapttrar för SCSI med PCI-buss (HBA:er), och vissa äldre Fast/Wide SCSI SPARCstorage™ MultiPack (SMP)-enheter där det eventuellt ingår enheter som klarar UltraSCSI (Fast-20). Om det finns några UltraSCSI-enheter använder HBA:erna till Sun Enterprise 450 UltraSCSI som standard. Vissa SPARCstorage MultiPack-enheter (både för sex och tolv enheter) stöder dock inte UltraSCSI. Om du försöker använda en sådan konfiguration kan SCSI-bussens prestanda försämrans och systemet eventuellt kraschar.

Lösning: Innan du använder denna konfiguration måste du deaktivera UltraSCSI för alla styrenheter som har en SMP ansluten. Se mansidorna för `pci(4)`, `glm(7D)` och `isp(7D)` för mer information.

Obs! – En alternativ lösning (som innebär att man ändrar hela SCSI-konfigurationen genom `/etc/system`) medför att UltraSCSI inte heller skulle användas på bakplanen för systemets interna skivor.

Problemet förekommer ej med SPARCstorage MultiPack 2-system med 6 enheter som klarar UltraSCSI.

Driftsmiljö

Följande information är ett tillägg till avsnittet “Environmental Requirements” i bilaga B “System Specifications” i den engelska versionen av *Ultra Enterprise 450 Server Användarhandbok* (805-0429-10).

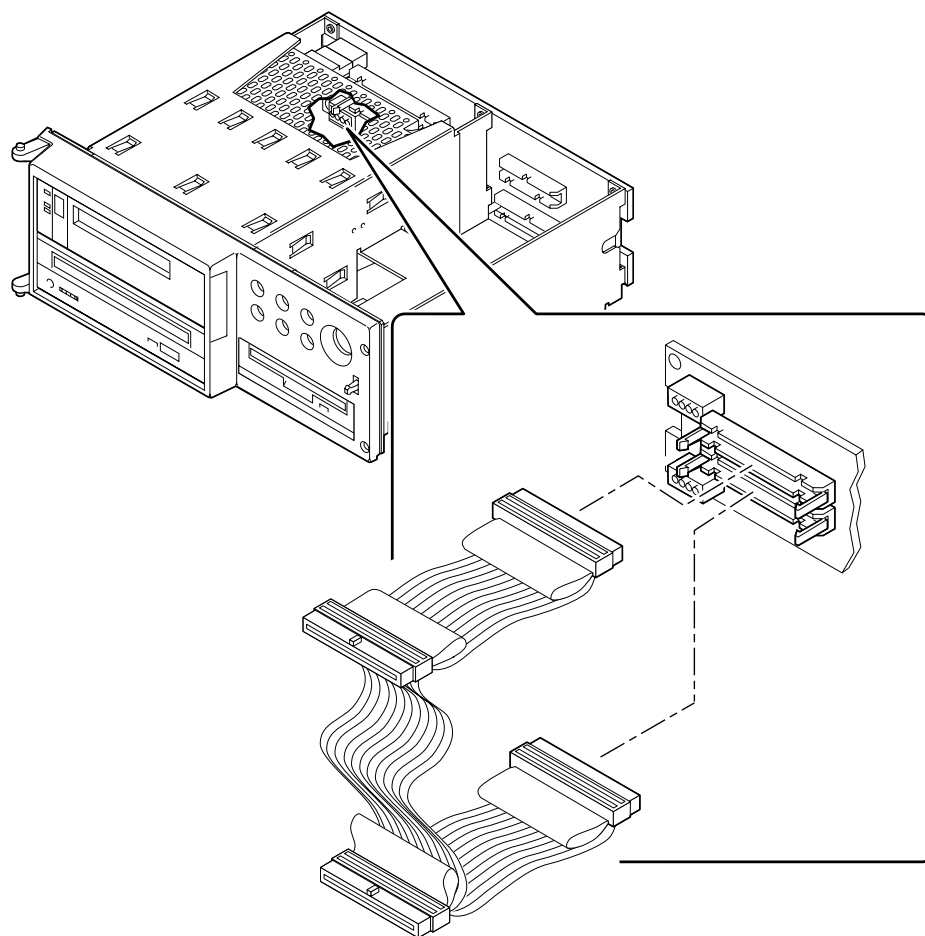
Parameter	Värde
Drifts-	
temperatur	5° C till 40° C ¹ (41° F till 95° F)—IEC 68-2-1, 68-2-2
höjd	0 till 3000 meter (0 till 10 000 fot)—IEC 68-2-40, 68-2-41

1. Med en eller flera 400-MHz moduler installerade, och höjd över havet på mer än 1500 meter, minskar den maximala driftstemperaturen från normala 40° C (95° F) med en takt om 0,8° C (1,44° F) per 304,8 meter (1000 fot) upp till 3000 meter (10000 fot).

Installera SCSI-enhetskabel

I handboken *Ultra Enterprise 450 Server Användarhandbok* och applikationen *ShowMe How Multimedia* är informationen om hur man installerar SCSI-enhetskabeln till montaget för löstagbara media felaktig. Procedurerna i handledningen visar att anslutningarna i båda ändarna av kabeln är anslutna till SCSI-enheten och de två anslutningarna mitt på kabeln är anslutna till enheten för löstagbara media. Detta är inte korrekt.

Rätt sätt att installera kabeln är genom att sätta i de två ändarna av kabeln i enheten för löstagbara media enligt bilden nedan.



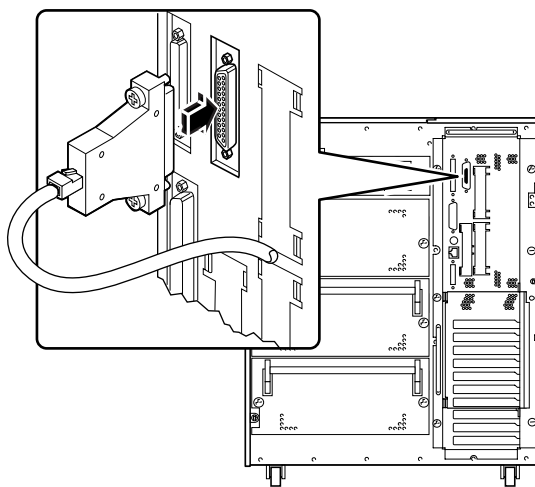
Använd denna bild som referens till beskrivningen i *Ultra Enterprise 450 Server Användarhandbok* och motsvarande rutiner i applikationen *ShowMe How Multimedia*:

- “Hur man tar bort enheten för löstagbara media”
- “Hur man installerar enheten för löstagbara media”
- “Hur man tar bort en CD-ROM eller bandstation”
- “Hur man installerar en CD-ROM eller bandstation”
- “Hur man tar bort en SCSI-enhetskabel”
- “Hur man installerar en SCSI-enhetskabel”

Obs! – Det har inga negativa effekter på systemets funktion eller prestanda om kabeln är installerad enligt originalinstruktionerna i handboken *Ultra Enterprise 450 Server Användarhandbok* eller applikationen *ShowMe How Multimedia*. Kabeln är dock lättare att installera och risken är mindre för skador på kabeln om du använder beskrivningen i detta dokument.

Ansluta en alfanumerisk terminal

Bilden i *Ultra Enterprise 450 Server Användarhandbok* ger inte en korrekt beskrivning av var serieporten sitter på serverns bakpanel. Rätt plats visas nedan.



Rackmontering av Sun Enterprise 450 Server

Det finns som tillval en rackmonteringsatts för att montera Sun Enterprise 450 i ett vanligt 19-tums EIA-rack. För fler detaljer kontaktar du din auktoriserade Sun-återförsäljare.

Information om rackmontering av Sun Enterprise 450-serverar finns på följande Internet-adress:

<http://docs.sun.com>

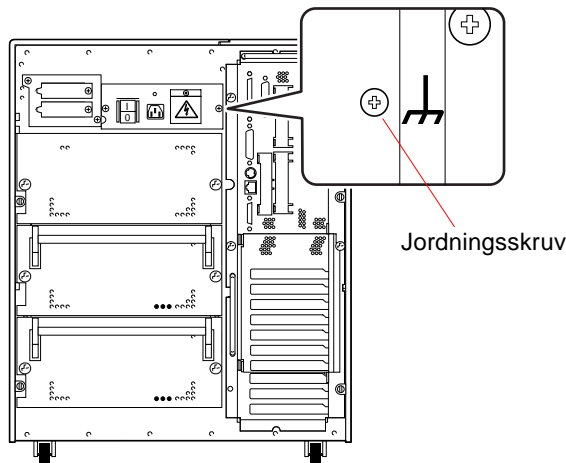
Klicka på "Minne och kringutrustning" i avsnittet Maskinvara och öppna *Rackmount Placement Matrix*.

Obs! – Innan Sun Enterprise 450 installeras i ett Sun Enterprise Expansion Cabinet skall sparkplåten längst ner baktill i utrustningen ovillkorligen tas bort. Om den tas bort får man plats med två Sun Enterprise 450-serverar. Mer information finns i den dokumentation som medföljer utrustningen.

Ansluta rackmonterade tillbehör

Om en fristående Sun Enterprise 450-server ansluts till ett rackmonterat tillbehör måste man koppla ett lämpligt jordningsband mellan servern och rackhöljet. Bandet förhindrar jordningsslingor mellan de båda systemen och skyddar mot eventuella dataförluster.

Ett jordningsband medföljer oftast racket. Anslut den ena änden av bandet till rätt jordningspunkt på rackhöljet enligt instruktionerna för racket. Anslut den andra änden till jordningsskruven på Sun Enterprise 450 (se följande figur). Kontrollera att jordningsskruven är ordentligt åtskruvad för att garantera en bra anslutning.



Varning – Jordningsskruven på Sun Enterprise 450 är en kritisk komponent för att skydda mot elchock om något strömförsörjningsfel skulle uppkomma i systemet. Om du inte sätter tillbaka skruven och skruvar åt den ordentligt kan en mycket riskabel situation uppstå.

Elektromagnetisk kompatibilitet

Ultra Enterprise 450 Server uppfyller EMI-kraven klass A enligt internationella standarder. Vissa av dessa standarder finns angivna i "Declaration of Conformity" i "Intyg om uppfyllda krav" i början av detta dokument.



Varning – Läs noga igenom avsnitten som berör utrustning av klass A i avsnittet "Regulatory Compliance Statements" i början av detta dokument. Det finns flera olika åtgärder som du kan vidta för att lösa olika problem med störningar. Mer information finns under anmärkningen FCC klass B i avsnittet "Regulatory Compliance Statements."

Sats för övre blåsare

Satsen för övre blåsare (artikelnummer 540-3023) ingår inte längre i Sun Enterprise 450, men instruktionerna i *Ultra Enterprise 450 Server Användarhandbok* och *ShowMe How Multimedia* förutsätter att den finns. Om man av någon anledning måste ta bort huvudloggkortet får man instruktioner att koppla loss kabeln för övre blåsare från huvudloggkortet innan detta tas bort. Eftersom det inte ingår någon sats för övre blåsare i systemet kan man utan risk strunta i detta steg.

Strömspärr

Sun Enterprise 450 har en säkerhetsfunktion med en strömspärr. Om man tar loss någon av systemets sidopaneler aktiveras systemets strömspärr. Denna säkerhetsmekanism ser till att inga interna komponenter får likström när någon sidopanel är borttagen även om växelströmsbrytaren är i läge "on". Ta därför inte loss någon av sidopanelerna medan systemet är igång. Om du gör det kommer systemet omedelbart att stängas av.

Sprängskiss

Följande information är ett tillägg till tabellen i *Ultra Enterprise 450 Server Användarhandbok*.

Obs! – Artikelnummer i detta avsnitt är korrekt utifrån utgivningsdatum, men kan ändras utan föregående meddelande. Kontakta alltid din Sun återförsäljare eller serviceverkstad och kontrollera aktuellt artikelnummer innan du beställer reservdelar.

Kategori	Reservdel	Artikelnummer
Huvudlogikkort och komponenter	Huvudlogikkort, 250 och 300 MHz	501-5270
	Huvudlogikkort, 400 MHz	501-5672
	Huvudlogikkort, 480 MHz	501-5673
	DIMM, 256 MB, 60 NS	501-4743
	UltraSPARC II CPU (250 MHz, 1 MB Ecache)	501-4857
	UltraSPARC II CPU (300 MHz, 2 MB Ecache)	501-4849
	UltraSPARC II CPU (400 MHz, 4 MB Ecache)	501-5239
	UltraSPARC II CPU (480 MHz, 8 MB Ecache)	501-5729
Bakpanel	8-slot UltraSCSI bakpanel	501-5274
Lagringsenheter	SunCD 32 CD-ROM-enhet	370-3416
	DVD ROM-enhet	390-0025
	9 GB UltraSCSI skivminne, 7200 rpm	501-3704
	18 GB UltraSCSI skivminne	540-4177
	36 GB UltraSCSI skivminne	540-4521
	DDS4 bandstation	390-0028
Internt kablage	LED anslutningskabel	530-2363 ¹

1. Supersedes 530-2362

Copyright 2000 Sun Microsystems, Inc., 901 San Antonio Road • Palo Alto, CA 94303 USA. Alle Rechte vorbehalten.

Dieses Produkt oder Dokument ist urheberrechtlich geschützt und wird in Lizenz vertrieben. Dadurch sind seine Verwendung, Vervielfältigung, Weitergabe und Dekompilierung eingeschränkt. Ohne vorherige schriftliche Genehmigung der Sun Microsystems, Inc., oder gegebenenfalls ihrer Lizenzgeber darf kein Teil dieses Produkts oder Dokuments auf irgendeine Weise vervielfältigt werden. Software von anderen Herstellern einschließlich aller Schriften ist urheberrechtlich geschützt und von Sun-Lieferanten lizenziert.

Teile dieses Produkts können auf Berkeley BSD-Systemen basieren, die von der University of California lizenziert sind. UNIX ist ein in den USA und anderen Ländern eingetragenes Warenzeichen, das ausschließlich über die X/Open Company, Ltd., lizenziert wird. Für Netscape Communicator™ gilt folgender Hinweis: Copyright 1995 Netscape Communications Corporation. Alle Rechte vorbehalten.

Sun, Sun Microsystems, das Sun-Logo, AnswerBook2, docs.sun.com, Sun Enterprise, OpenBoot, SunCD und Solaris sind Warenzeichen oder eingetragene Warenzeichen von Sun Microsystems, Inc., in den USA und in anderen Ländern. Alle SPARC-Warenzeichen werden unter Lizenz verwendet und sind Warenzeichen oder eingetragene Warenzeichen von SPARC International, Inc., in den USA und in anderen Ländern. Produkte mit SPARC-Warenzeichen basieren auf einer von Sun Microsystems, Inc., entwickelten Architektur.

Die grafischen Benutzerschnittstellen OPEN LOOK und Sun™ wurden von Sun Microsystems, Inc., für seine Benutzer und Lizenznehmer entwickelt. Sun anerkennt dabei die von der Xerox Corporation geleistete Forschungs- und Entwicklungsarbeit auf dem Gebiet der visuellen oder grafischen Benutzeroberflächen für die Computerindustrie. Sun ist Inhaber einer nicht ausschließlichen Lizenz von Xerox für die grafische Benutzeroberfläche von Xerox. Diese Lizenz gilt auch für Suns Lizenznehmer, die mit den OPEN LOOK-Spezifikationen übereinstimmende Benutzerschnittstellen implementieren und sich an die schriftlichen Lizenzvereinbarungen mit Sun halten.

DIE DOKUMENTATION WIRD IN DER VORLIEGENDEN FORM GELIEFERT, UND ALLE AUSDRÜCKLICHEN ODER IMPLIZITEN REGELUNGEN, ZUSAGEN UND GEWÄHRLEISTUNGEN, EINSCHLIESSLICH JEGLICHER IMPLIZITEN GEWÄHRLEISTUNG HINSICHTLICH HANDELSÜBLICHER QUALITÄT, DER EIGNUNG FÜR EINEN BESTIMMTEN ZWECK UND DER WAHRUNG DER RECHTE DRITTER, WERDEN AUSGESCHLOSSEN, SOWEIT EIN SOLCHER HAFTUNGSAUSSCHLUSS GESETZLICH ZULÄSSIG IST.

Copyright 2000 Sun Microsystems, Inc., 901 San Antonio Road • Palo Alto, CA 94303 USA. Tutti i diritti riservati.

Questo prodotto o documento è protetto da copyright e distribuito sotto licenze che ne limitano l'uso, la copia, la distribuzione e la decompilazione. Nessuna parte di questo prodotto o documento può essere riprodotta, in qualunque forma o con qualunque mezzo, senza la previa autorizzazione scritta di Sun e dei suoi eventuali concessionari di licenza. I prodotti software di terze parti, incluse le tecnologie dei font, sono protetti da copyright e distribuiti su licenza dai fornitori di font Sun.

Alcune parti di questo prodotto possono derivare dai sistemi Berkeley BSD, concessi in licenza dalla University of California. UNIX è un marchio registrato negli Stati Uniti e in altri paesi, distribuito su licenza esclusivamente da X/Open Company, Ltd. Per Netscape Communicator™, è applicabile quanto segue: Copyright 1995 Netscape Communications Corporation. Tutti i diritti riservati.

Sun, Sun Microsystems, il logo Sun, AnswerBook2, docs.sun.com, Sun Enterprise, UltraSPARC, SunCD e Solaris sono marchi, marchi registrati o marchi di servizi di Sun Microsystems, Inc. negli Stati Uniti e in altri paesi. Tutti i marchi SPARC sono utilizzati su licenza e sono marchi o marchi registrati di SPARC International, Inc. negli Stati Uniti e in altri paesi. I prodotti con marchio SPARC sono basati su un'architettura sviluppata da Sun Microsystems, Inc.

Le interfacce utente grafiche OPEN LOOK e Sun™ sono state sviluppate da Sun Microsystems, Inc. per i suoi utenti e licenziatari. Sun riconosce il lavoro innovativo di Xerox nella ricerca e nello sviluppo del concetto di interfaccia utente grafica o visuale per l'industria informatica. Sun detiene una licenza non esclusiva di Xerox per la Xerox Graphical User Interface; tale licenza copre anche i licenziatari di Sun che implementano le GUI OPEN LOOK e che aderiscono ai contratti di licenza stipulati con Sun.

QUESTA DOCUMENTAZIONE VIENE FORNITA SENZA ALCUNA GARANZIA ESPLICITA O IMPLICITA, INCLUSE LE EVENTUALI GARANZIE IMPLICITE DI COMMERCIALIZZABILITÀ, IDONEITÀ A UN DETERMINATO SCOPO O NON VIOLAZIONE, ESCLUSE LE EVENTUALI GARANZIE PREVISTE DALLE LEGGI IN VIGORE.

Copyright 2000 Sun Microsystems, Inc., 901 San Antonio Road • Palo Alto, CA 94303-4900 USA. Todos los derechos reservados.

Este documento o producto está protegido por copyright y distribuido bajo licencias que restringen su uso, copia, distribución y descompilación. Ninguna parte de este producto o documento puede ser reproducida en ninguna forma ni por cualquier medio sin la autorización previa por escrito de Sun y sus concesionarios, si los hubiera. El software de terceros, incluyendo la tecnología de fuentes, tiene copyright y está concedido bajo licencia por proveedores de Sun.

Partes de este producto pueden derivarse de los sistemas Berkeley BSD, bajo licencia de la Universidad de California. UNIX es una marca registrada en los EE.UU. y otros países, bajo licencia exclusiva de X/Open Company, Ltd. En el caso de Netscape Communicator™, se aplica la siguiente mención: Copyright 1995 Netscape Communications Corporation. Todos los derechos reservados.

Sun, Sun Microsystems, the Sun logo, AnswerBook2, docs.sun.com, Sun Enterprise, OpenBoot, SunCD y Solaris son marcas comerciales, marcas comerciales registradas o marcas de servicio de Sun Microsystems, Inc. en los EE.UU. y otros países. Todas las marcas comerciales SPARC se utilizan bajo licencia y son marcas comerciales o marcas comerciales registradas de SPARC International, Inc. en los EE.UU. y otros países. Los productos con marcas comerciales SPARC están basados en una arquitectura desarrollada por Sun Microsystems, Inc.

OPEN LOOK y la Interfaz Gráfica de Usuario (Graphical User Interface) de Sun™ fueron desarrollados por Sun Microsystems, Inc. para sus usuarios y licenciatarios. Sun reconoce los esfuerzos pioneros de Xerox en la investigación y el desarrollo del concepto de interfaces gráficas o visuales de usuario para el sector informático. Sun mantiene una licencia no exclusiva de Xerox para Xerox Graphical User Interface, que también cubre a los concesionarios de Sun que implementen la GUI de OPEN LOOK y que por otra parte cumplan con los acuerdos de licencia por escrito de Sun.

ESTA DOCUMENTACIÓN SE PROPORCIONA "TAL CUAL" y TODA OBLIGACIÓN, CLÁUSULA Y GARANTÍA, YA SEA IMPLÍCITA O EXPLÍCITA, INCLUIDAS LAS GARANTÍAS IMPLÍCITAS DE COMERCIALIZACIÓN, IDONEIDAD PARA UN PROPÓSITO EN PARTICULAR O NO INFRACCIÓN, SERÁ RECHAZADA EN LA MEDIDA EN QUE SE CONSIDERE LEGALMENTE ACEPTABLE.

Copyright 2000 Sun Microsystems, Inc., 901 San Antonio Road, Palo Alto, CA 94303-4900 U.S.A. Med ensamrätt.

Denna produkt eller detta dokument skyddas av upphovsrättslagen och levereras med en licens som begränsar användarens rättigheter att använda, kopiera, distribuera och dekompileta produkten. Denna produkt eller detta dokument får inte utan skriftlig tillåtelse från Sun eller Suns licensgivare kopieras på något sätt. Tredjepartsprogramvara, inklusive teckensnittsteknologi är också skyddad och licensierad från Suns leverantörer.

Delar av denna produkt härrör från Berkeleys BSD-system, för vilket Sun har licenser från University of California. UNIX är ett registrerat varumärke i USA och andra länder och licensieras endast av X/Open Company Ltd. För Netscape Communicator™ gäller följande: Copyright 1995 Netscape Communications Corporation. Med ensamrätt.

Sun, Sun Microsystems, Sun-logotypen, AnswerBook2, docs.sun.com, Sun Enterprise, OpenBoot, SunCD och Solaris är varumärken eller registrerade varumärken för Sun Microsystems, Inc. i USA och andra länder. Alla SPARC-varumärken är licensierade och är varumärken eller registrerade varumärken för SPARC International, Inc. i USA och andra länder. Produkter som bär SPARC-varumärkena är baserade på en arkitektur som Sun Microsystems, Inc. har utvecklat.

OPEN LOOK® och Suns grafiska användargränssnitt har utvecklats av Sun Microsystems, Inc. för användare och licenstagare. Sun erkänner Xerox banbrytande insatser inom forskningen om och utvecklingen av begreppet visuellt eller grafiskt användargränssnitt för datorindustrin. Sun har en icke-exklusiv licens från Xerox avseende Xerox grafiska användargränssnitt, som också omfattar Suns licenstagare som utvecklar grafiska användargränssnitt enligt OPEN LOOK och i övrigt uppfyller Suns skriftliga licensavtal.

DENNA DOKUMENTATION LEVERERAS I BEFINTLIGT SKICK UTAN NÅGRA SOM HELST GARANTIER, VARE SIG UTTRYCKLIGA ELLER UNDERFÖRSTÅDDA, TILL EXEMPEL UNDERFÖRSTÅDDA GARANTIER OM ATT DEN SKULLE VARA I SÄLJBART SKICK, ATT DEN ÄR LÄMPLIG FÖR ETT VISST ÄNDAMÅL ELLER ATT DEN INTE INKRÄKTAR PÅ ANDRA FÖRETAGS RÄTTIGHETER.