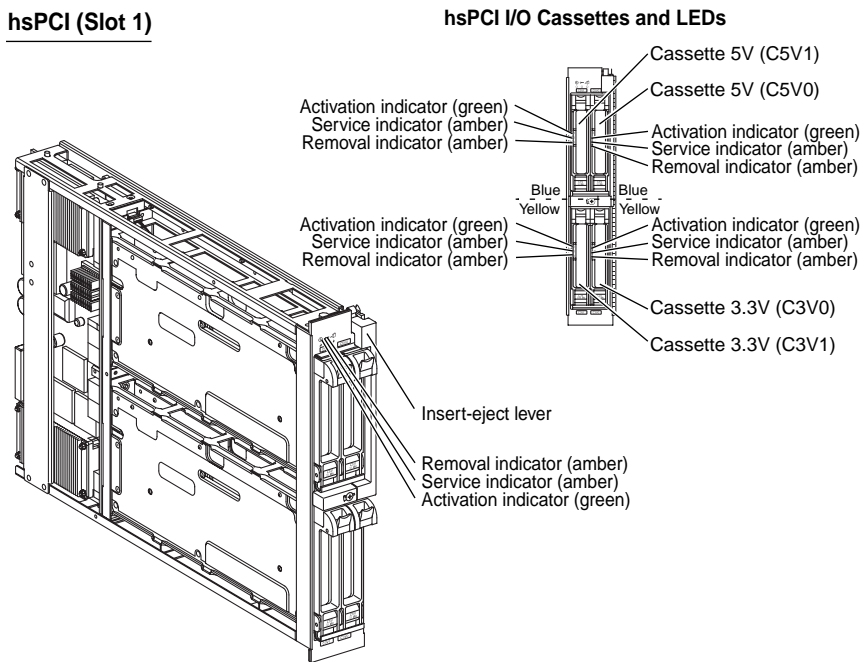
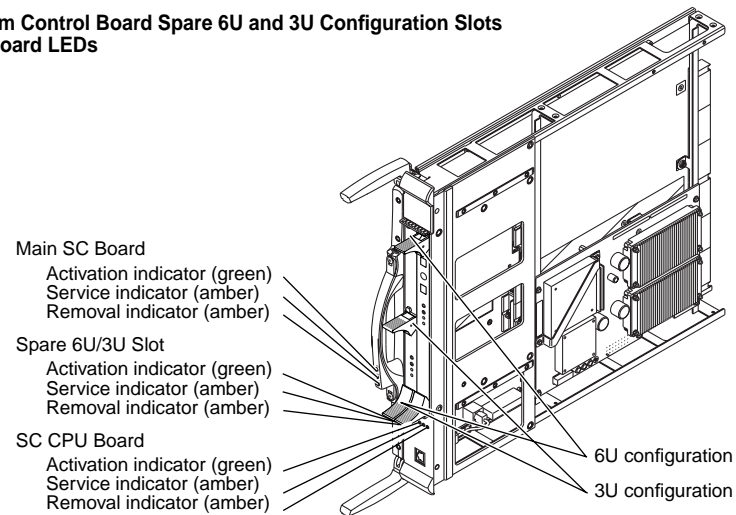


hsPCI (Slot 1)



System Control Board Spare 6U and 3U Configuration Slots and Board LEDs



Slot 0 and Slot 1 Board Component Numbering

Assessing Sun Documentation Online

A broad selection of Sun system documentation is located at:

<http://www.sun.com/products-n-solutions/hardware/doc>

A complete set of Solaris documentation and many other titles are located at:

<http://docs.sun.com>

Sun Welcomes Your Comments

Sun is interested in improving its documentation and welcomes your comments and suggestions. You can email your comments to Sun at:

docfeedback@sun.com

Please include the part number (806-3513-11) of the document in the subject line of your email.

Copyright 2002 Sun Microsystems, Inc. All rights reserved. Use is subject to license terms. Third-party software, including font technology, is copyrighted and licensed from Sun suppliers. Portions may be derived from Berkeley BSD systems, licensed from U. of CA. Sun, Sun Microsystems, the Sun logo, Sun Fire, and Solaris are trademarks or registered trademarks of Sun Microsystems, Inc. in the U.S. and in other countries. All SPARC trademarks are used under license and are trademarks or registered trademarks of SPARC International, Inc. in the U.S. and in other countries. Federal Acquisitions: Commercial Software—Government Users Subject to Standard License Terms and Conditions.

Copyright 2002 Sun Microsystems, Inc. Tous droits réservés. Distribué par des licences qui en restreignent l'utilisation. Le logiciel détenu par des tiers, et qui comprend la technologie relative aux polices de caractères, est protégé par un copyright et licencié par des fournisseurs de Sun. Des parties de ce produit pourront être dérivées des systèmes Berkeley BSD licenciés par l'Université de Californie. Sun, Sun Microsystems, le logo Sun, Sun Fire, et Solaris sont des marques de fabrique ou des marques déposées de Sun Microsystems, Inc. aux Etats-Unis et dans d'autres pays. Toutes les marques SPARC sont utilisées sous licence et sont des marques de fabrique ou des marques déposées de SPARC International, Inc. aux Etats-Unis et dans d'autres pays.



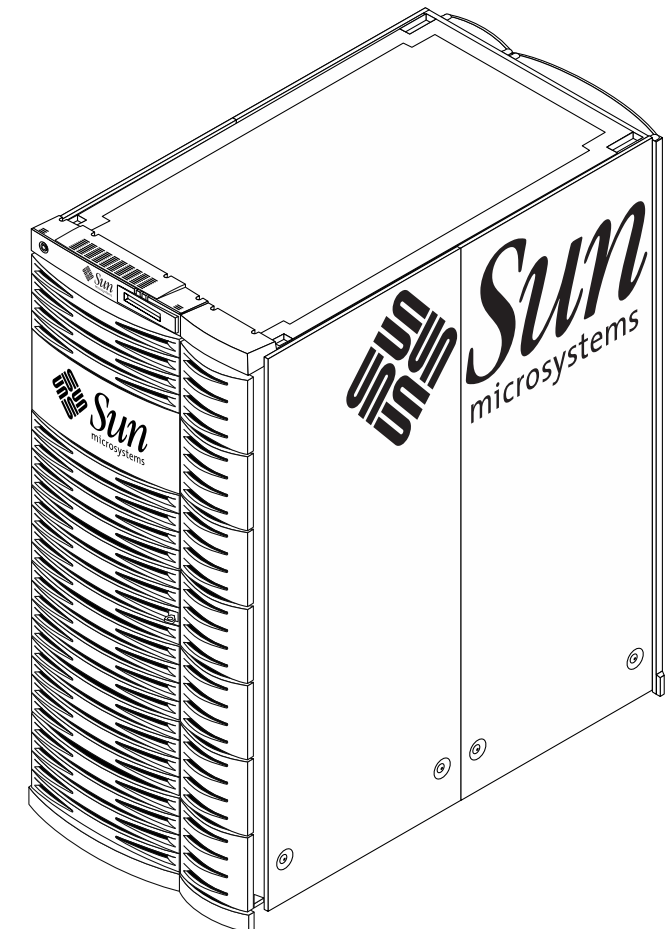
Sun Microsystems, Inc., 4150 Network Circle, Santa Clara, CA 95054 U.S.A.
650 960-1300, Fax 650 969-9131



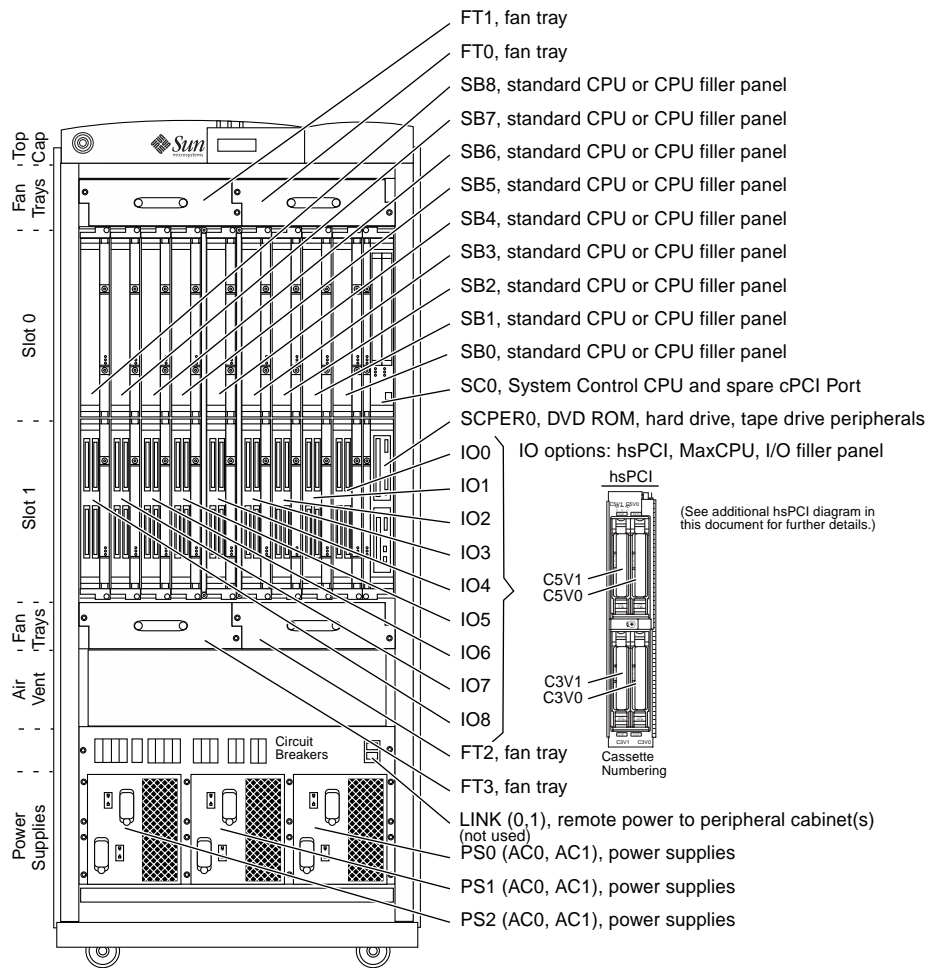
Part Number: 806-3513-11
June 2002, Revision A

Sun Fire™ 15K/12k Systems

Service Reference II Component Numbering

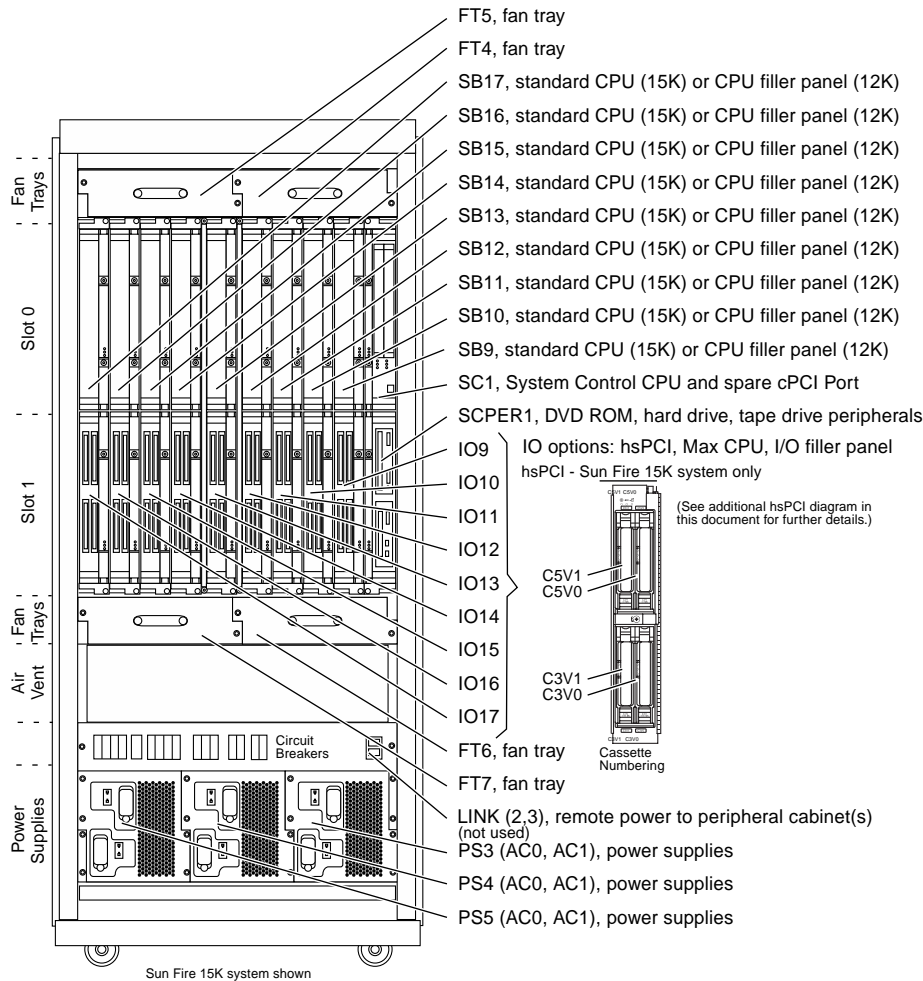


This System Service Reference II has been prepared as a quick-reference guide to the established nomenclature used for the Sun Fire 15K/12K systems. For additional detailed information, refer to the *Sun Fire 15K/12K Systems Service Manual*, part number 806-3512.



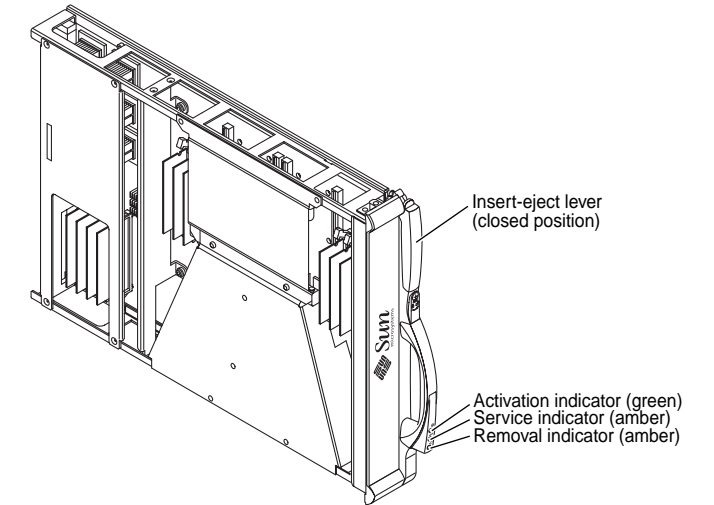
System Component Numbering—Front

The rear of the Sun Fire 15K/12K systems are essentially the same except the standard CPUs and the IOs slots are filled with CPU filler panels and IO filler panels in the Sun Fire 12K system.

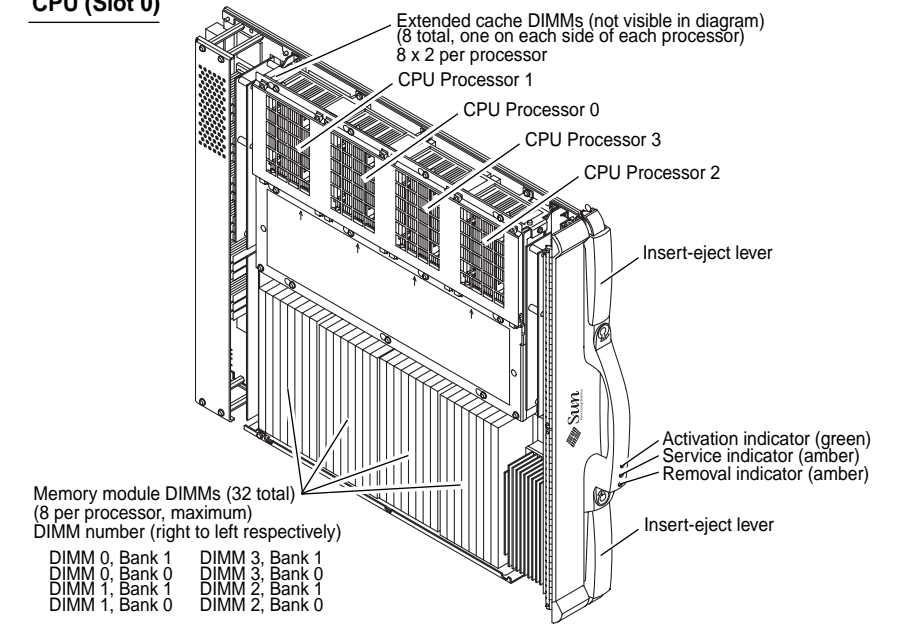


System Component Numbering—Rear

MaxCPU (Slot 1)



CPU (Slot 0)



Slot 1 Board Component Numbering