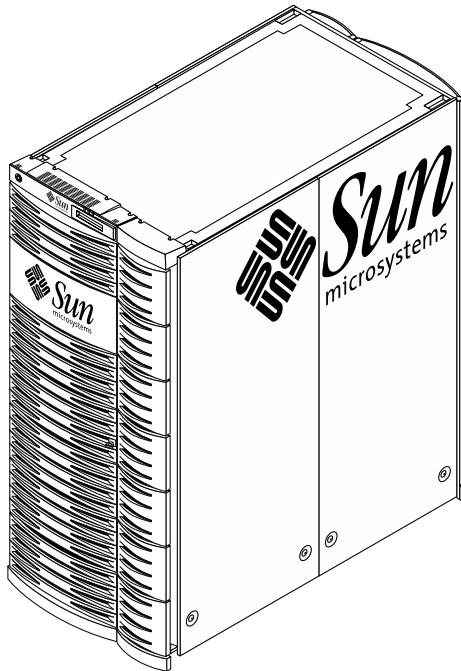
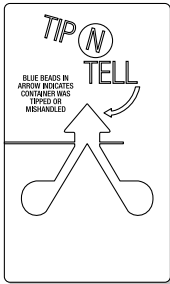




Sun Fire™ 15K/12K Systems Read Me First





Read this document completely before proceeding with the unpacking and installing of the Sun Fire™ 15K/12K systems.

1. Review the TIP N TELL and the container for any damages during shipment. If you notice damage, refer to the *Sun Fire 15K/12K Systems Unpacking Guide* for damage-claim instructions. If you notice any damage, email a damage report to bvtn-traffic@west.sun.com, your contact for shipping or delivery problems.

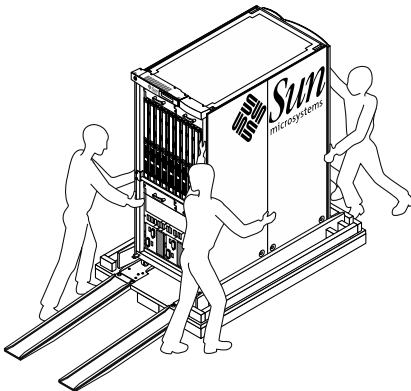
Note – After the Sun Fire 15K/12K system arrives, contact your local service provider. Installation, verification, and maintenance must be performed only by qualified service personnel.

2. If multiple systems were shipped, separate all boxes by the serial numbers listed on the shipping label. Confirm that all boxes are present.



Caution – Before moving the Sun Fire 15K/12K systems consider the elevator capacity and its below-threshold drop possibility when carrying a maximum load. The uncrated unit maximum weight is 2,467.8 lbs (1,121.7 kg).

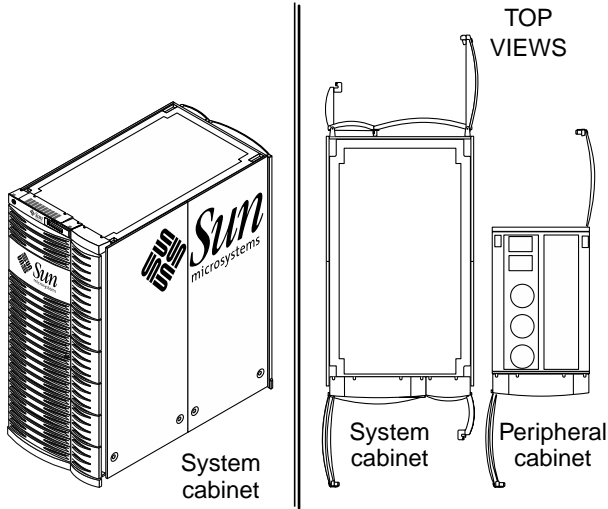
3. Refer to the *Sun Fire 15K/12K Systems Unpacking Guide* for suggested uncrating instructions.



4. Locate the documentation in the shipping kit box.

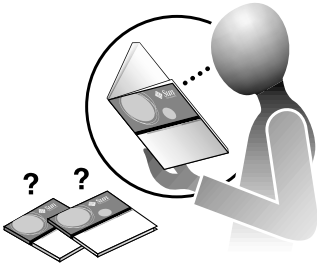
Refer to the *Sun Fire 15K/12K Systems Site Planning Guide* for facility power requirements, physical specifications, security and network planning, and the site planning checklist prior to installation.

5. Complete the software configuration setup *Parameters Worksheet* located in the system documentation packet.
6. Install the Sun Fire 15K/12K systems following the steps outlined in the *Sun Fire 15K/12K Systems Hardware Installation and De-Installation Guide*.



7. In the event of a system failure, refer to the other documents included in the documentation packet:

- *Sun Fire 15K/12K Systems Service Manual*
- *Sun Fire 15K/12K Systems Overview*



8. After following the steps for the installation and verification of the Sun Fire 15K/12K systems, complete the *Installation Report*, located in the system documentation packet.

Return the report by email, fax, or mail to the address indicated on the form.



Accessing Sun Documentation

You can view, print, or purchase a broad selection of Sun documentation, including localized versions, at:

<http://www.sun.com/documentation>

Contacting Sun Technical Support

If you have technical questions about this product that are not answered in this document, go to:

<http://www.sun.com/service/contacting>

Sun Welcomes Your Comments

Sun is interested in improving its documentation and welcomes your comments and suggestions. You can submit your comments by going to:

<http://www.sun.com/hwdocs/feedback>

Please include the title and part number of your document with your feedback:

Sun Fire 15K/12K Systems Read Me First, part number 806-3507-12

Copyright 2003 Sun Microsystems, Inc. All rights reserved. Use is subject to license terms. Third-party software, including font technology, is copyrighted and licensed from Sun suppliers. Portions may be derived from Berkeley BSD systems, licensed from U. of CA. Sun, Sun Microsystems, the Sun logo, Sun Fire, and Solaris are trademarks or registered trademarks of Sun Microsystems, Inc. in the U.S. and in other countries. All SPARC trademarks are used under license and are trademarks or registered trademarks of SPARC International, Inc. in the U.S. and in other countries. U.S. Government Rights-Commercial use. Government users are subject to the Sun Microsystems, Inc. standard license agreement and applicable provisions of the FAR and its supplements.

Copyright 2003 Sun Microsystems, Inc. Tous droits réservés. Distribué par des licences qui en restreignent l'utilisation. Le logiciel détenu par des tiers, et qui comprend la technologie relative aux polices de caractères, est protégé par un copyright et licencié par des fournisseurs de Sun. Des parties de ce produit pourront être dérivées des systèmes Berkeley BSD licenciés par l'Université de Californie. Sun, Sun Microsystems, le logo Sun, Sun Fire, et Solaris sont des marques de fabrique ou des marques déposées de Sun Microsystems, Inc. aux Etats-Unis et dans d'autres pays. Toutes les marques SPARC sont utilisées sous licence et sont des marques de fabrique ou des marques déposées de SPARC International, Inc. aux Etats-Unis et dans d'autres pays.



Sun Microsystems, Inc.
4150 Network Circle
Santa Clara, CA 95054 USA
www.sun.com

Part No. 806-3507-12, Rev. A
June 2003