

## Accessing Sun Documentation Online

A broad selection of Sun system documentation is located at the following web site:

<http://www.sun.com/products-n-solutions/hardware/docs>

To locate the most current documentation at this site, select a product category. The documents at that location may include updated information that did not ship with your product, such as product notes, release notes, late-breaking news, or later revisions of manuals.

A complete set of Solaris documentation and many other titles are located at:

<http://docs.sun.com>

## Ordering Sun Documentation

Fatbrain.com, an Internet professional bookstore, stocks select product documentation from Sun Microsystems, Inc. For a list of documents and how to order them, visit the Sun Documentation Center on Fatbrain.com at:

<http://www.fatbrain.com/documentation/sun>

## Sun Welcomes Your Comments

Sun is interested in improving its documentation and welcomes your comments and suggestions. You can email your comments to Sun at:

[docfeedback@sun.com](mailto:docfeedback@sun.com)

Please include the part number (806-2948-11) of the document in the subject line of your email.

Copyright 2001 Sun Microsystems, Inc. All rights reserved. Use is subject to license terms. Third-party software, including font technology, is copyrighted and licensed from Sun suppliers. Sun, Sun Microsystems, the Sun logo, AnswerBook2, docs.sun.com, Sun Fire, and Solaris are trademarks, registered trademarks, or service marks of Sun Microsystems, Inc. in the U.S. and other countries. Federal Acquisitions: Commercial Software—Government Users Subject to Standard License Terms and Conditions.

Copyright 2001 Sun Microsystems, Inc. Tous droits réservés. Distribué par des licences qui en restreignent l'utilisation. Le logiciel détenu par des tiers, et qui comprend la technologie relative aux polices de caractères, est protégé par un copyright et licencié par des fournisseurs de Sun. Sun, Sun Microsystems, le logo Sun, AnswerBook2, docs.sun.com, Sun Fire, et Solaris sont des marques de fabrique ou des marques déposées, ou marques de service, de Sun Microsystems, Inc. aux Etats-Unis et dans d'autres pays.

# Sun Fire™ 6800/4810/4800/ 3800 System Controller Board Installation Guide



Sun Microsystems, Inc., 4150 Network Circle, Santa Clara, CA 95054 U.S.A.  
650 960-1300, Fax 650 969-9131



## Location of the System Controller Boards

System	Slot Numbers	Slot Location
Sun Fire 6800 system	SSC0 (Master) and SSC1 (Redundant controller)	Front—bottom and top
Sun Fire 4810 system	SSC0 (Master) and SSC1 (Redundant controller)	Front—bottom and top
Sun Fire 4800 system	SSC0 (Master) and SSC1 (Redundant controller)	Rear—bottom and top
Sun Fire 3800 system	SSC0 (Master) and SSC1 (Redundant controller)	Front—bottom and top



**Caution** – The chassis AC power cord(s) must remain connected to ensure a proper ground.



**Caution** – To avoid damaging internal circuits, do not disconnect or connect any cable while the power is applied to the system.



**Caution** – The System Controller board is not hot-pluggable. Do not remove the System Controller board until the system has been halted and powered off.



**Caution** – The System Controller board and its modules have surface-mount components that can be broken by flexing the board.

Below are the System Controller board (F501-5407 and F501-5563) default jumper settings.

Jumper	Pins	Settings	Description
J1301	2-3	In	Select FEPROM (default)
J1303	1-2	In	FEPROM write enable (default)
J2303	1-2	In	RS232 (default)
J2304	1-2	In	RS232 (default)

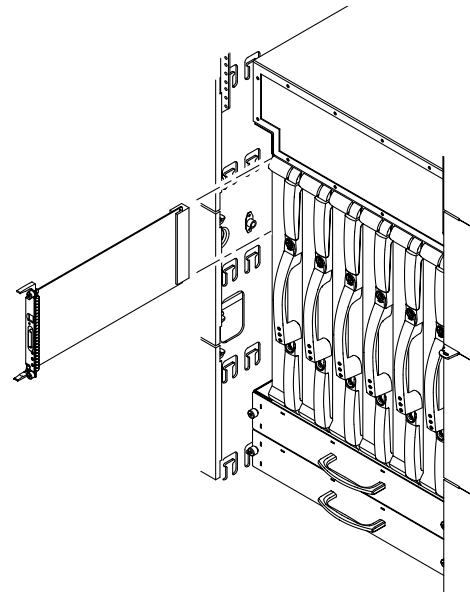
## Installing a System Controller Board

1. **Power off the system.** Refer to the *Sun Fire 6800/4810/4800/3800 Powering the System On and Off Guide* that came packaged with this documentation, **OR** refer to the *Sun Fire 6800/4810/4800/3800 Systems Platform Administration Manual* for complete powering off procedures.
2. **Attach a wrist strap or foot strap, and connect the strap to the system.**
3. **Place a grounded ESD mat close to the system.**
4. **Remove the filler board and save it.**



**Caution** – DO NOT FORCE any board into a slot; this can cause damage to the board and system. The board should insert and seat smoothly. If it binds, remove the board and inspect the card cage slot for any obvious obstructions.

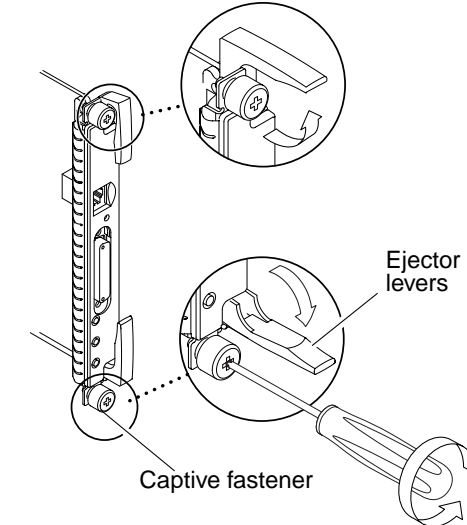
5. **Align the board and slide it into the card cage slot.**



6. **Simultaneously push inward on both board ejectors.**
7. **Tighten the captive screws by using a Phillips No. 2 screwdriver.**
8. **Connect the proper cable to the board front panel.**
9. **Power on the system.** Refer to the *Sun Fire 6800/4810/4800/3800 Systems Powering On and Off Guide* that came packaged with this documentation and component **OR** refer to the *Sun Fire 6800/4810/4800/3800 Systems Platform Administration Manual* for complete powering on procedures.

## Removing a System Controller Board

1. **Power off the system.** Refer to the *Sun Fire 6800/4810/4800/3800 Powering the System On and Off Guide* that came packaged with this documentation and component **OR** refer to the *Sun Fire 6800/4810/4800/3800 Systems Platform Administration Manual* for complete powering off procedures.
2. **Attach a wrist strap or foot strap, and connect the strap to the system.**
3. **Place a grounded ESD mat close to the system.**
4. **Disconnect the serial or network cable from the board front panel.**
5. **Loosen the two captive screws on the System Controller board front panel using a Phillips No. 2 screwdriver.** These screws are springloaded. They will pop out when completely unfastened.



6. **Pull outwards on the board ejector levers to unseat the board.**
7. **Remove the board.** In the Sun Fire 3800 system, the System Controller board is seated horizontally instead of vertically.
8. **Install a filler board or a new System Controller board.**
9. **Power on the system.** Refer to the *Sun Fire 6800/4810/4800/3800 Systems Powering On and Off Guide* that came packaged with this documentation and component **OR** refer to the *Sun Fire 6800/4810/4800/3800 Systems Platform Administration Manual* for complete powering on procedures.