

Sun Enterprise™ 420R Server Product Notes



THE NETWORK IS THE COMPUTER™

Sun Microsystems, Inc.
901 San Antonio Road
Palo Alto, CA 94303-4900 USA
650 960-1300 Fax 650 969-9131

Part No.: 806-1082-11
January 2000, Revision A

Send comments about this document to: docfeedback@sun.com

Copyright 2000 Sun Microsystems, Inc., 901 San Antonio Road • Palo Alto, CA 94303-4900 USA. All rights reserved.

This product or document is protected by copyright and distributed under licenses restricting its use, copying, distribution, and decompilation. No part of this product or document may be reproduced in any form by any means without prior written authorization of Sun and its licensors, if any. Third-party software, including font technology, is copyrighted and licensed from Sun suppliers.

Parts of the product may be derived from Berkeley BSD systems, licensed from the University of California. UNIX is a registered trademark in the U.S. and other countries, exclusively licensed through X/Open Company, Ltd. For Netscape Communicator™, the following notice applies: Copyright 1995 Netscape Communications Corporation. All rights reserved.

Sun, Sun Microsystems, the Sun logo, Sun Enterprise, AnswerBook2, docs.sun.com, OpenBoot, SunSolve Online, Sun StorEdge, Sun StorEdge SRC/P Intelligent SCSI RAID Controller, and Solaris are trademarks, registered trademarks, or service marks of Sun Microsystems, Inc. in the U.S. and other countries. All SPARC trademarks are used under license and are trademarks or registered trademarks of SPARC International, Inc. in the U.S. and other countries. Products bearing SPARC trademarks are based upon an architecture developed by Sun Microsystems, Inc.

The OPEN LOOK and Sun™ Graphical User Interface was developed by Sun Microsystems, Inc. for its users and licensees. Sun acknowledges the pioneering efforts of Xerox in researching and developing the concept of visual or graphical user interfaces for the computer industry. Sun holds a non-exclusive license from Xerox to the Xerox Graphical User Interface, which license also covers Sun's licensees who implement OPEN LOOK GUIs and otherwise comply with Sun's written license agreements.

RESTRICTED RIGHTS: Use, duplication, or disclosure by the U.S. Government is subject to restrictions of FAR 52.227-14(g)(2)(6/87) and FAR 52.227-19(6/87), or DFAR 252.227-7015(b)(6/95) and DFAR 227.7202-3(a).

DOCUMENTATION IS PROVIDED "AS IS" AND ALL EXPRESS OR IMPLIED CONDITIONS, REPRESENTATIONS AND WARRANTIES, INCLUDING ANY IMPLIED WARRANTY OF MERCHANTABILITY, FITNESS FOR A PARTICULAR PURPOSE OR NON-INFRINGEMENT, ARE DISCLAIMED, EXCEPT TO THE EXTENT THAT SUCH DISCLAIMERS ARE HELD TO BE LEGALLY INVALID.

Copyright 2000 Sun Microsystems, Inc., 901 San Antonio Road • Palo Alto, CA 94303-4900 Etats-Unis. Tous droits réservés.

Ce produit ou document est protégé par un copyright et distribué avec des licences qui en restreignent l'utilisation, la copie, la distribution, et la décompilation. Aucune partie de ce produit ou document ne peut être reproduite sous aucune forme, par quelque moyen que ce soit, sans l'autorisation préalable et écrite de Sun et de ses bailleurs de licence, s'il y en a. Le logiciel détenu par des tiers, et qui comprend la technologie relative aux polices de caractères, est protégé par un copyright et licencié par des fournisseurs de Sun.

Des parties de ce produit pourront être dérivées des systèmes Berkeley BSD licenciés par l'Université de Californie. UNIX est une marque déposée aux Etats-Unis et dans d'autres pays et licenciée exclusivement par X/Open Company, Ltd. La notice savant est applicable à Netscape Communicator™ : Copyright 1995 Netscape Communications Corporation. All rights reserved.

Sun, Sun Microsystems, le Sun logo, Sun Enterprise, AnswerBook2, docs.sun.com, OpenBoot, SunSolve Online, Sun StorEdge, Sun StorEdge SRC/P Intelligent SCSI RAID Controller, et Solaris sont des marques de fabrique ou des marques déposées, ou marques de service, de Sun Microsystems, Inc. aux Etats-Unis et dans d'autres pays. Toutes les marques SPARC sont utilisées sous licence et sont des marques de fabrique ou des marques déposées de SPARC International, Inc. aux Etats-Unis et dans d'autres pays. Les produits portant les marques SPARC sont basés sur une architecture développée par Sun Microsystems, Inc.

L'interface d'utilisation graphique OPEN LOOK et Sun™ a été développée par Sun Microsystems, Inc. pour ses utilisateurs et licenciés. Sun reconnaît les efforts de pionniers de Xerox pour la recherche et le développement du concept des interfaces d'utilisation visuelle ou graphique pour l'industrie de l'informatique. Sun détient une licence non exclusive de Xerox sur l'interface d'utilisation graphique Xerox, cette licence couvrant également les licenciés de Sun qui mettent en place l'interface d'utilisation graphique OPEN LOOK et qui en outre se conforment aux licences écrites de Sun.

CETTE PUBLICATION EST FOURNIE "EN L'ETAT" ET AUCUNE GARANTIE, EXPRESSE OU IMPLICITE, N'EST ACCORDEE, Y COMPRIS DES GARANTIES CONCERNANT LA VALEUR MARCHANDE, L'APTITUDE DE LA PUBLICATION A REPOUDRE A UNE UTILISATION PARTICULIERE, OU LE FAIT QU'ELLE NE SOIT PAS CONTREFAISANTE DE PRODUIT DE TIERS. CE DENI DE GARANTIE NE S'APPLIQUERAIT PAS, DANS LA MESURE OU IL SERAIT TENU JURIDIQUEMENT NUL ET NON AVENU.



Adobe PostScript

Sun Enterprise 420R Server Product Notes

The Sun Enterprise™ 420R server requires the Solaris™ 2.6 Hardware: 5/98 operating environment, or the Solaris 7 Hardware: 8/99 operating environment, or a later compatible release.

These product notes contain important information about installation, features, and known system limitations that arrived too late for publication in other documents. These product notes pertain to the Sun Enterprise 420R server.

Product Patch for Solaris 2.6: 5/98 Required for Disk Hot-Plug Operations

You must install the software patch 105580-13 or later if you are running the Solaris 2.6 Hardware: 5/98 operating environment. This patch is required for disk hot-plug operation. The hot-plug feature of the system's internal disk drives permits the removal and installation of drives while the system is operational.

You can download the patch from the SunSolve Online™ Public Patch Page Access web site:

<http://sunsolve.sun.com>

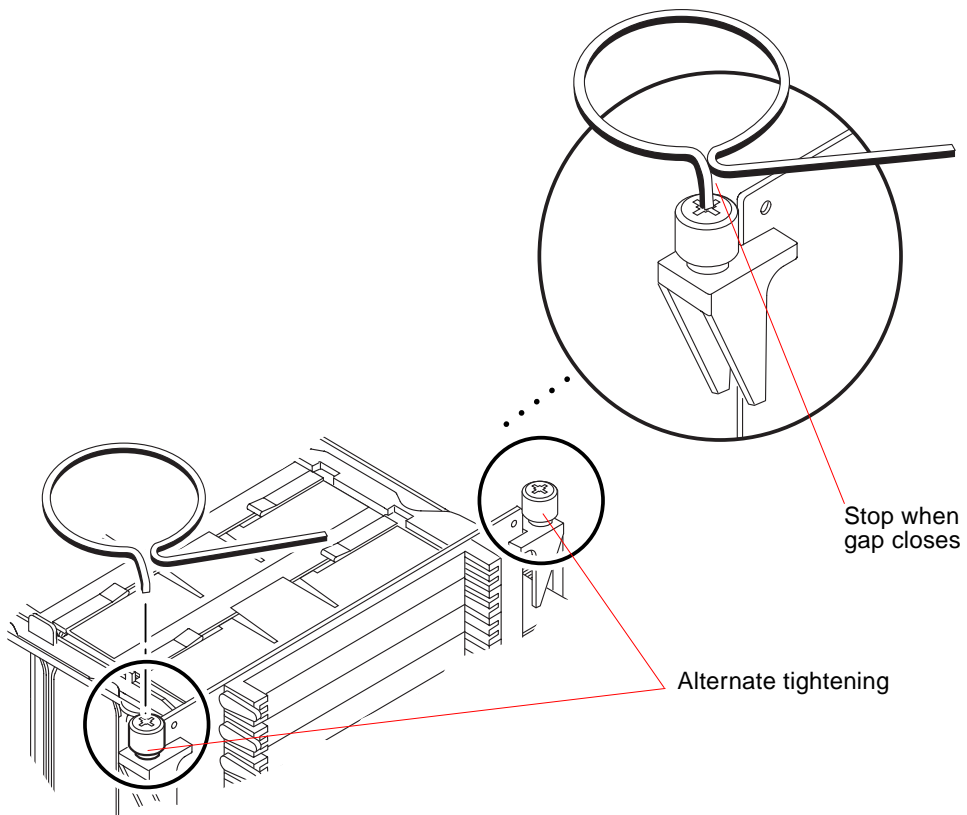
Click on `Patches` and follow the links for Solaris 2.6. If you have any questions, contact your Sun Microsystems™ sales or service representative for assistance in downloading the patch.

Replacing the Memory Riser Assembly



Caution – In step 2 of the procedure for “Replacing the Memory Riser Assembly,” in the *Sun Enterprise 420R Server Service Manual*, do not overtighten the thumbscrews on the memory riser. Overtightening these screws can damage the main logic board.

- Use the torque indicator driver to tighten each thumbscrew. Alternately turn each thumbscrew clockwise one turn at a time. Stop turning each thumbscrew as soon as the gap on the torque indicator driver closes. Do not overtighten the screws.



Memory Bank Locations Are Illustrated Incorrectly

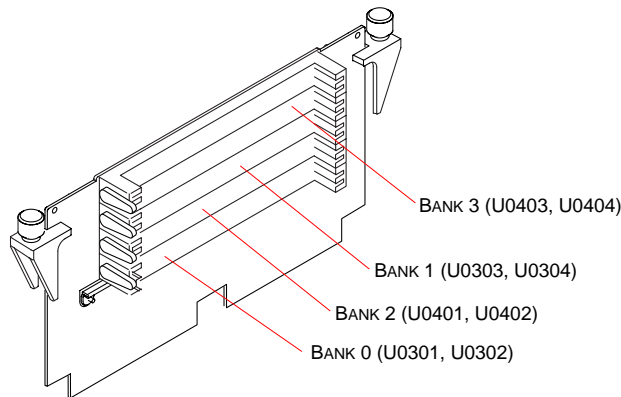
The illustration showing memory bank locations on the memory riser assembly is incorrect in Chapter 7, page 151, in the “DIMM Failure” section of the *Sun Enterprise 420R Server Owner’s Guide*.

The correct memory bank locations on the memory riser assembly are shown in the *Sun Enterprise 420R Server Service Manual*.

For your convenience, the correct locations are shown below. All manuals correctly show the main logic board memory bank locations.

If you populate the memory banks following the incorrect illustration, the system will not be able to recognize any additional memory beyond the base configuration. In addition, you may not get any system memory interleaving. You may also not be able to diagnose system memory problems accurately.

The illustration below correctly identifies the Sun Enterprise 420R server memory riser assembly bank locations.



DIMM Locations – Memory Riser Assembly

Supported Memory

The Sun Enterprise 420R server *only* supports Sun™ standard 200-pin, 5-volt, 60-nanosecond memory modules of 64- and 256-Mbyte capacity. The system’s main logic board provides 16 slots for high-capacity dual inline memory modules (DIMMs). Total main memory is expandable up to 4 Gbytes.

64-Mbyte Memory Module Part Number Change

The part number for the 64-Mbyte Memory Module (DIMM) in Appendix D, “Illustrated Parts Breakdown,” of the *Sun Enterprise 420R Server Service Manual* is incorrect. The correct part number for the 64-Mbyte DIMM is 501-5691.

Use Sun order number X7043-A when ordering this part (501-5691).

Replacing the Main Logic Board

Add one more procedure to the procedures for installing and replacing the main logic board in the *Sun Enterprise 420R Server Service Manual*.

In the “Before You Begin” section in “Removing the Main Logic Board,” use the procedure for “Removing the Fan Tray Assembly” *before* the “Removing the Air Guide.” When replacing the main logic board, use the procedure for “Replacing the Fan Tray Assembly” *after* the “Replacing the Air Guide” procedure.

PCI Slot Logical-to-Physical Mapping

The Sun Enterprise 420R server firmware displays PCI slot logical addresses during a system reset. The relationship between each logical address displayed and its corresponding physical slot number is listed in the following table.

Device Addresses	Main Logic Board PCI Slot
/pci@1f,2000 at Device 1	1
/pci@1f,4000 at Device 4	2
/pci@1f,4000 at Device 2	3
/pci@1f,4000 at Device 5	4
/pci@1f,4000 at Device 1	(Built-in Ethernet on main logic board)
/pci@1f,4000 at Device 3	(Built-in SCSI on main logic board)

A PCI card that has more than one I/O port displays each port as a separate line in the device list.

SRC/P Controller Option for External RAID Arrays

The Sun Enterprise 420R server supports the Sun StorEdge SRC/P Intelligent SCSI RAID Controller™ option for external RAID arrays. The SRC/P Controller is a host-based, three-channel UltraSCSI RAID controller card with a 64-bit PCI system interface and a dedicated processor. Two 2m external cables are supplied with the controller for connection to Sun StorEdge™ MultiPack units.

The SRC/P Controller can be installed in any 64-bit PCI slot. Install the SRC/P Controller just as you would any other PCI card. The Sun Enterprise 420R server supports a maximum of three SRC/P Controller cards. See the *Sun Enterprise 420R Server Service Manual* and the *Sun StorEdge SRC/P Intelligent SCSI RAID Controller Installation Guide* for instructions.

For information about the features and functionality provided by the SRC/P Controller and for RAID configuration information, see the *Sun StorEdge SRC/P Intelligent SCSI RAID Controller User's Guide*.

Transferring Components to Your New System

The following internal components may be transferred from another system to your Sun Enterprise 420R server. For installation instructions and important configuration requirements, see the *Sun Enterprise 420R Server Owner's Guide* and the *Sun Enterprise 420R Server Service Manual*.

Internal Component	Sun Part Number
Memory	
256-Mbyte 60-ns DIMM	501-4743
Disk Drives	
4.2-Gbyte 7200-rpm 1-inch UltraSCSI Disk Drive	540-2938
9.1-Gbyte 7200-rpm 1-inch UltraSCSI Disk Drive	540-2951, 540-3720
9.1-Gbyte 10,000-rpm 1-inch UltraSCSI Disk Drive	540-3881, 540-3966
18.2-Gbyte 10,000-rpm 1-inch UltraSCSI Disk Drive	540-4177, 540-4178, 540-4401

Environmental Specifications Are Incorrect

The environmental specifications in Appendix B of the *Sun Enterprise 420R Server Service Manual* and the *Sun Enterprise 420R Server Owner's Guide* are incorrect.

The correct environmental specifications are listed in the table below.

Parameter	Value
Operating	
Temperature without tape media	5°C to 40°C (41°F to 104°F)—IEC 68-2-2
Temperature with tape media	10°C to 35°C (50°F to 95°F)—IEC 68-2-1
Humidity	20% to 80% RH, noncondensing; 27 °C max wet bulb—IEC 68-2-2, 68-2-3
Altitude	0 to 3000 meters (0 to 10,000 feet)—IEC 68-2-40, 68-2-41
Vibration	0.15 gravity (g) peak, 5–500 Hz (swept sine); 5–500 Hz (random); vertical axis only—IEC 68-2-6
Shock	3g peak, 11 milliseconds half-sine pulse—IEC 68-2-27
Non-Operating	
Temperature	-20°C to 60°C (-4°F to 140°F)—IEC 68-2-1, 68-2-2
Humidity	93% RH, noncondensing at 35°C—IEC 68-2-2, 68-2-3
Altitude	0 to 12,000 meters (0 to 40,000 feet)—IEC 68-2-40, 68-2-41
Vibration	0.5g peak, 5–500 Hz (swept sine); 1.5mm single amplitude, 5–500 Hz (random); vertical axis; 0.25g peak, 5–500 Hz (swept sine); 0.75mm single amplitude, 5–500 Hz (random); horizontal axis—IEC 68-2-6
Shock	15g peak, 11 milliseconds half-sine pulse—IEC 68-2-27
Threshold impact	.75 m/s—ETE-1010-01

Using a Token Ring PCI Card



Caution – A Sun Token Ring PCI card, optional component (x-option) X1039 or X1154, will not function properly if you install it in PCI slot number 4 in a Sun Enterprise 420R server.

If you want to use a Sun Token Ring PCI card in a Sun Enterprise 420R server, you must install it in PCI slots 3, 2, or 1.

