

# Netra t 1120/1125

## Compliance and Safety

---

*Manuel sur la conformité et la sécurité*  
*Einhaltungs- und Sicherheitshandbuch*  
*Manuale della conformità e della sicurezza*  
*Manual de Seguridad y Conformidad*  
*Överensstämmelser och säkerheten*  
安全  
安全性



THE NETWORK IS THE COMPUTER™

**Sun Microsystems, Inc.**  
901 San Antonio Road  
Palo Alto, CA 94303-4900 USA  
650 960-1300 Fax 650 969-9131

Part No.: 805-7558-10  
Revision A, August 1998

Copyright 1998 Sun Microsystems, Inc. 901 San Antonio Road, Palo Alto, California 94303 U.S.A. All rights reserved.

This product or document is protected by copyright and distributed under licenses restricting its use, copying, distribution, and decompilation. No part of this product or document may be reproduced in any form by any means without prior written authorization of Sun and its licensors, if any.

Portions of this product may be derived from the UNIX<sup>®</sup> system, licensed from Novell, Inc., and from the Berkeley 4.3 BSD system, licensed from the University of California. UNIX is a registered trademark in the United States and in other countries and is exclusively licensed by X/Open Company Ltd. Third-party software, including font technology in this product, is protected by copyright and licensed from Sun's suppliers. RESTRICTED RIGHTS: Use, duplication, or disclosure by the U.S. Government is subject to restrictions of FAR 52.227-14(g)(2)(6/87) and FAR 52.227-19(6/87), or DFAR 252.227-7015(b)(6/95) and DFAR 227.7202-3(a).

Sun, Sun Microsystems, the Sun logo, and Solaris are trademarks or registered trademarks of Sun Microsystems, Inc. in the United States and in other countries. All SPARC trademarks are used under license and are trademarks or registered trademarks of SPARC International, Inc. in the United States and in other countries. Products bearing SPARC trademarks are based upon an architecture developed by Sun Microsystems, Inc.

The OPEN LOOK<sup>®</sup> and Sun<sup>™</sup> Graphical User Interfaces were developed by Sun Microsystems, Inc. for its users and licensees. Sun acknowledges the pioneering efforts of Xerox Corporation in researching and developing the concept of visual or graphical user interfaces for the computer industry. Sun holds a nonexclusive license from Xerox to the Xerox Graphical User Interface, which license also covers Sun's licensees who implement OPEN LOOK GUIs and otherwise comply with Sun's written license agreements.

THIS PUBLICATION IS PROVIDED "AS IS" WITHOUT WARRANTY OF ANY KIND, EITHER EXPRESS OR IMPLIED, INCLUDING, BUT NOT LIMITED TO, THE IMPLIED WARRANTIES OF MERCHANTABILITY, FITNESS FOR A PARTICULAR PURPOSE, OR NON-INFRINGEMENT.

---

Copyright 1998 Sun Microsystems, Inc., 901 San Antonio Road, Palo Alto, California 94303 U.S.A. Tous droits réservés.

Ce produit ou document est protégé par un copyright et distribué avec des licences qui en restreignent l'utilisation, la copie et la décompilation. Aucune partie de ce produit ou de sa documentation associée ne peut être reproduite sous aucune forme, par quelque moyen que ce soit, sans l'autorisation préalable et écrite de Sun et de ses bailleurs de licence, s'il y en a.

Des parties de ce produit pourront être dérivées du système UNIX<sup>®</sup> licencié par Novell, Inc. et du système Berkeley 4.3 BSD licencié par l'Université de Californie. UNIX est une marque enregistrée aux Etats-Unis et dans d'autres pays, et licenciée exclusivement par X/Open Company Ltd. Le logiciel détenu par des tiers, et qui comprend la technologie relative aux polices de caractères, est protégé par un copyright et licencié par des fournisseurs de Sun.

Sun, Sun Microsystems, le logo Sun, et Solaris sont des marques déposées ou enregistrées de Sun Microsystems, Inc. aux Etats-Unis et dans d'autres pays. Toutes les marques SPARC, utilisées sous licence, sont des marques déposées ou enregistrées de SPARC International, Inc. aux Etats-Unis et dans d'autres pays. Les produits portant les marques SPARC sont basés sur une architecture développée par Sun Microsystems, Inc.

Les utilisateurs d'interfaces graphiques OPEN LOOK<sup>®</sup> et Sun<sup>™</sup> ont été développés de Sun Microsystems, Inc. pour ses utilisateurs et licenciés. Sun reconnaît les efforts de pionniers de Xerox Corporation pour la recherche et le développement du concept des interfaces d'utilisation visuelle ou graphique pour l'industrie de l'informatique. Sun détient une licence non exclusive de Xerox sur l'interface d'utilisation graphique, cette licence couvrant aussi les licenciés de Sun qui mettent en place les utilisateurs d'interfaces graphiques OPEN LOOK et qui en outre se conforment aux licences écrites de Sun.

CETTE PUBLICATION EST FOURNIE "EN L'ETAT" SANS GARANTIE D'AUCUNE SORTE, NI EXPRESSE NI IMPLICITE, Y COMPRIS, ET SANS QUE CETTE LISTE NE SOIT LIMITATIVE, DES GARANTIES CONCERNANT LA VALEUR MARCHANDE, L'APTITUDE DES PRODUITS A REpondre A UNE UTILISATION PARTICULIERE OU LE FAIT QU'ILS NE SOIENT PAS CONTREFAISANTS DE PRODUITS DE TIERS.



Adobe PostScript

# Contents

---

## **Part I Compliance Statements**

**USA – Electromagnetic Compatibility Information 2**

**European Union Notice 4**

**Canada 9**

## **Part II Safety**

**Safety 15**

**Sécurité 23**

**Sicherheit 29**

**Sicurezza 35**

**Seguridad 41**

**Säkerhet 47**



# PART I Compliance Statements

---

<i>USA – Electromagnetic Compatibility Information</i>	<i>page 2</i>
<i>European Union Notice</i>	<i>page 4</i>
<i>Renseignements de compatibilité électromagnétique – Canada</i>	<i>page 10</i>
<i>Electromagnetic Compatibility Information – Canada</i>	<i>page 11</i>

# USA – Electromagnetic Compatibility Information

---

## System Classes

Please read all of the following information to determine the class of system you have and the environment in which it should be installed and operated.

In the United States, the Federal Communications Commission (FCC) governs the levels of electromagnetic emissions from a digital device. Electromagnetic emissions can interfere with radio and television transmission. To reduce the risk of harmful interference, the FCC has established requirements for manufacturers of digital devices.

A manufacturer of a digital device must test and label the product to inform an end-user of the maximum emission level from the product when used in accordance with its instructions. The FCC has established two classes of levels, Class A and Class B. A system that meets the FCC Class A requirements may be marketed for use in an industrial or a commercial area. A system that meets the more stringent FCC Class B requirements may be marketed for use in a residential area in addition to use in an industrial or a commercial area.

An end-user in the United States is responsible for ensuring that his system is suitable for its environment as stated in the above paragraph and bears the financial responsibility for correcting harmful interference.

For a system to be considered an FCC Class B system, all peripherals of the system (workstation, monitor, keyboard, mouse, external disk and tape drives, modem, printer, etc.) must be labeled as such. If any peripheral or the system itself is labeled as FCC Class A, the entire system becomes FCC Class A and should not be used in a residential area.

To determine if your system is FCC Class A or FCC Class B, you must check the marking on each peripheral and on your workstation. Each piece of equipment should have an FCC statement marked on the unit. The FCC statement should identify the equipment as Class A or Class B. If there is no indication of the Class in the FCC statement, consider it to be Class A unless there is a mark which states “FCC ID:” followed by alphanumeric characters. If it has this FCC ID mark, it is Class B. If any of the peripherals in your system is not marked with an FCC statement, the equipment should not be used in a home because of the greater likelihood of interference to radio and television reception. Contact the manufacturer of the peripheral if you have any questions.

## Modifications

If the end-user adds single in-line memory modules (SIMMs) or internal drives or PCI cards to the system, the FCC Class of the machine could be affected. All DIMMs and internal drives offered by Sun for use in a Sun™ product have been tested and will not change the FCC Class labeled on the product if it is installed per the instructions in the Sun Netra t 1120/1125 *Installation and Basic Maintenance Guide*.

If memory, drives, or PCI cards are purchased from sources other than Sun, the FCC Class of the system may be adversely affected. Modifications not approved by Sun may void the authority granted by the FCC to operate the equipment.

## Shielded Cables

Connections between the system and other external equipment must be made using shielded cables, earthed at both ends, in order to maintain compliance with FCC radio frequency emission limits.

## FCC Class A Notice

---

**Note – Note** – This equipment has been tested and found to comply with the limits for a Class A digital device, pursuant to Part 15 of the FCC Rules. These limits are designed to provide reasonable protection against harmful interference when the equipment is operated in a commercial environment. This equipment generates, uses, and can radiate radio frequency energy and, if not installed and used in accordance with the Sun Netra t 1120/1125 *Installation and Basic Maintenance Guide*, may cause harmful interference to radio communications. Operation of this equipment in a residential area is likely to cause harmful interference, in which case the user will be required to correct the interference at his own expense.

---

# European Union Notice

---



---

# English

Products with the CE marking comply with the protection requirements of the following EU Directives:

- EMC Directive 89/336/EEC, as amended by 93/68/EEC, by application of the following harmonised standards:

EN 55022: 1994—Electromagnetic Interference  
EN 50082-1: 1992—Electromagnetic Immunity:

Low Voltage Directive 73/23/EEC, as amended by 93/68/EEC, by application of the following harmonised standard:

EN60950: 1992 AMD3, Safety of Information Technology Equipment.

---

**Warning** – This is a Class A product. In a domestic environment this product may cause radio interference in which case the user may be required to take adequate measures to correct this interference.

---

## To Ensure Compliance

The following additional components or accessories are required:

1. Shielded cables having earthed metal shells shall be used for connection to all input/output ports.
2. Cable connectors shall be shielded type (e.g. shielded RJ45 plugs).
3. Ethernet cables shall be IEEE 802.3 compliant, and shall be of the Shielded Twisted Pair type (STP).
4. If Ethernet Micro-Transceivers are to be connected directly to the AUI ports (15-way Ethernet ports) they shall:
  - a. comply with IEEE 802.3 Ethernet requirements for 10BaseT,
  - b. meet the CISPR 22 Class B requirements for emissions, and
  - c. be of the Shielded Twisted Pair type. (Recommended types are Milan Micro-Twist Model # MIL-10P, 3COM ISOLAN TP, or other specification equivalent types. *Always ask to see manufacturer's Certificate of Compliance or other supporting data to authenticate compliance.*)

5. Keep all doors closed while system is in operation.
6. The system must be reliably connected to earth.
7. Antistatic wrist-strap connection points are located on the front and rear lower panels of the unit.

---

# Français

## Garantie de Conformité

Les composants et accessoires suivants sont requis:

1. Des câbles blindés équipés de fiches en métal doivent être utilisés pour toutes les connexions aux raccordements d'entrée/ de sortie de l'appareil.
2. Toutes les connexions câblées doivent être de type blindé (p. ex. fiches RJ45 blindées).
3. Les câbles Ethernet doivent être conformes à IEEE 802.3 et de type Twisted Pair (blindé) (STP, Shielded Twisted Pair).
  - a. Si des Micro-Transceivers Ethernet doivent être connectés directement aux connexions AUI (connexions Ethernet à 15 pôles), ils doivent:
    - b. satisfaire aux exigences Ethernet IEEE 802.3 pour 10BaseT,
    - c. satisfaire aux exigences CISPR 22 Class B concernant les émissions, et être de type Twisted Pair (blindé). (Les types recommandés sont : Milan Micro-Twist Model # MIL-10P, 3COM ISOLAN TP, ou autres types correspondant aux spécifications. *Demandez toujours à voir le certificat de conformité du fabricant ou autres données appropriées authentifiant la conformité.*)
4. Tenez toutes les portes fermées lorsque le système est en marche.
5. Le système doit être mis à la terre conformément aux prescriptions.
6. Des points de connexion de la sangle de poignet sont situés sur les parois inférieures de la façade et du dos de l'appareil.

---

# Deutsch

## Sicherstellen der Konformität

Die folgenden Zubehörteile und zusätzlichen Komponenten werden benötigt:

1. Für alle Verbindungen zu den Anschlüssen des Gerätes sollen abgeschirmte Kabel verwendet werden, die mit Metallsteckern ausgerüstet sind.
2. Alle Kabelverbindungen sollen von abgeschirmter Bauart sein (z. B. abgeschirmte RJ45-Stecker).
3. Ethernet-Kabel sollen IEEE 802.3-konform und vom Typ Twisted Pair (abgeschirmt) (STP, Shielded Twisted Pair) sein.
4. Wenn Ethernet Micro-Transceiver direkt mit den AUI-Anschlüssen (15-polige Ethernet-Anschlüsse) verbunden werden sollen, müssen diese:
  - a. den Ethernet-Anforderungen in IEEE 802.3 für 10BaseT entsprechen,
  - b. den CISPR 22 Class B-Anforderungen in Bezug auf elektrische Emissionen entsprechen, und
  - c. vom Typ Twisted Pair (abgeschirmt) (Shielded Twisted Pair, STP) sein (Empfohlen werden Milan Micro-Twist Model # MIL-10P, 3COM ISOLAN TP oder andere den Spezifikationen entsprechende Bauarten. *Lassen Sie sich immer die Herstellerbescheinigung über die Konformität oder andere geeignete Daten zeigen, die die Konformität belegen.*)
5. Halten Sie alle Gerätetüren geschlossen, wenn das System in Betrieb ist.
6. Das System muß stets vorschriftsmäßig geerdet sein.
7. Die Anschlüssen für das Handgelenkband befinden sich am vorderen und hinteren Panel des Gerätes unten.

# Canada

---

---

# Renseignements de compatibilité électromagnétique – Canada

Communications Canada (c'est-à-dire le DOC, Ministère des Communications) réglemente les dispositifs numériques de façon analogue aux prescriptions de la FCC (Commission fédérale des communications) aux États Unis. Chaque produit doit être étiqueté ou livré avec une documentation spécifiant sa classe. Le DOC définit, comme le fait la FCC, l'environnement dans lequel un dispositif numérique doit être utilisé. La classe A, spécifiée par le DOC, s'applique aux zones industrielles ou commerciales, alors que la classe B s'applique aux zones résidentielles, industrielles ou commerciales.

Comme il en est le cas avec la FCC, chaque périphérique d'un système doit répondre aux spécifications de la classe B définie par le DOC afin qu'un système puisse être considéré comme faisant partie de cette classe. Si un périphérique ou un poste de travail quelconque appartient à la classe A, le système appartient alors à la classe A définie par le DOC et par conséquent ne doit pas être mis en service dans une zone résidentielle.

Au Canada il revient à l'utilisateur de s'assurer que son système est approprié pour l'environnement auquel il appartient, tel que spécifié dans le paragraphe ci-dessus.

Si des unités internes ou des barrettes de mémoire SIMM sont ajoutées à un poste de travail, la classe du DOC de la machine risque d'être affectée. Toutes les unités internes et barrettes de mémoire SIMM offertes par Sun et destinées à être utilisées sur un poste de travail Sun ont été soumises à des essais. Elles ne changeront pas la classe du DOC figurant sur le poste de travail si l'installation est conformée aux instructions spécifiées dans le Guide d'installation Sun. Si l'utilisateur se procure des unités et des barrettes de mémoire ailleurs que chez Sun, la classe du poste de travail définie par le DOC risque d'être défavorablement affectée.

## Avis concernant les systèmes appartenant à la classe A du DOC

Cet appareil numérique de la classe A respecte toutes les exigences du Règlement sur le matériel brouilleur du Canada.

---

# Electromagnetic Compatibility Information – Canada

Communications Canada (i.e., the Department of Communications) regulates digital devices similar to the FCC in the United States. Every product should be labeled or provided with documentation that states the class of the product. The DOC defines the environment in which a digital device should be used as the FCC does, DOC Class A is for an industrial or a commercial area and DOC Class B is for a residential, an industrial, or a commercial area.

As it is with the FCC, every peripheral of a system must meet DOC Class B levels in order for a system to be considered DOC Class B. If any peripheral or the workstation is DOC Class A, the system is DOC Class A and should not be used in a residential area.

An end-user in Canada is responsible for ensuring that his system is suitable for its environment as stated in the above paragraph.

If single in-line memory modules (SIMMs) or internal drives are added to the workstation, the DOC Class of the machine could be affected. All SIMMs and internal drives offered by Sun for use in a Sun workstation have been tested and will not change the DOC Class labeled on the workstation if installed per the instructions in the Sun Installation Guide. If memory or drives are purchased from sources other than Sun, the DOC Class of the workstation may be adversely affected.

## DOC Class A Notice

This Class A digital apparatus meets all requirements of the Canadian Interference-Causing Equipment Regulations.





PART I    **Safety**

---

# Safety

---

## Symbols

The following symbols mean:

---

**Note** – A note provides information which should be considered by the reader.

---



---

**Caution** – Cautions accompanied by this Attention icon carry information about procedures or events which if not considered may cause damage to the data or hardware of your system.

---



---

**Caution** – Cautions accompanied by this Hazard icon carry information about procedures which must be followed to reduce the risk of electric shock and danger to personal health. Follow all instructions carefully.

---

---

# Handling and Taking Care of your CD-ROM Disks

Please observe the following precautions when handling CD-ROM disks:

- DO NOT touch the data side of the disk (the side of the disk with no label).
- DO NOT apply paper labels or write on any part of the disk, data side or label side.
- If dust or fingerprints get on to the disk, wipe with a dry cloth from the center of the disk to the edge.
- DO NOT place the disk in any place where it will be subjected to direct sunlight or high temperature.



---

**Caution** – Do not use Benzene, Paint Thinner, Record Cleaner, Static Repellent or any type of CD Lens cleaner. These chemicals can damage the surface of the CD-ROM disk. In addition, these fluids will build up on the lens cleaning brush in your CD-ROM reader, reducing effectiveness.

---

---

**Note** – In some circumstances, if your CD-ROM disk does not have a clean data surface, your system may fail to boot.

---

---

## Safety Precautions

The following general safety precautions must be observed during all phases of operation, service and repair of this equipment. Failure to comply with these precautions or with specific warnings elsewhere in this manual violates safety standards of design, manufacture and intended use of the equipment. Sun Microsystems assumes no liability for the customer's failure to comply with these requirements.

The safety precautions listed below represent warnings of certain dangers of which Sun Microsystems is aware. You, as the user of the product, should note these warnings and all other safety precautions necessary for the safe operation of the equipment in your operating environment.

# Safety Requirements

For protection, observe the following safety precautions when setting up the equipment:

- Follow all cautions, warnings and instructions marked on the equipment.
- Ensure that the voltages and frequency rating of the power receptacle match the electrical rating label on the equipment.
- Never push objects of any kind through openings in the equipment. They may touch dangerous voltage points or shor components resulting in fire or electric shock.
- Refer servicing of equipment to qualified personnel.



## Ground the Instrument

Class 1 equipment:

To minimize shock hazard, the equipment enclosure must be reliably connected to an electrical ground (see FIGURE 1 on page 18).



## Do Not Operate in an Explosive Atmosphere

Do not operate the equipment in the presence of flammable gases or fumes. Operation of any electrical equipment in such an environment constitutes a definite safety hazard.



## Keep Away From Live Circuits

Only trained personnel may remove equipment covers for internal subassembly or component replacement or any internal adjustment. Under certain conditions, dangerous voltages may exist even with the power supply removed.



## Do Not Service or Adjust Alone

Do not attempt internal service or adjustment unless another person, capable of rendering first aid and resuscitation, is present.



## Do Not Substitute Parts or Modify Equipment

Because of the danger of introducing additional hazards and/or the possibility of compromising emissions compliance, do not install substitute parts or perform any unauthorized modification of the equipment. Contact your local support organization for service and repair to ensure that safety features are maintained.



## External Double Pole Circuit Breaker (CB)

An external double pole double throw CB is required where the socket outlet has indeterminate polarity or where the power cord plug is reversible at the socket outlet. The CB shall meet the requirements of the national and/or local electrical authority.



If CD-ROM is fitted:

Use of controls, adjustments or the performance of procedures other than those specified herein may result in hazardous radiation exposure.

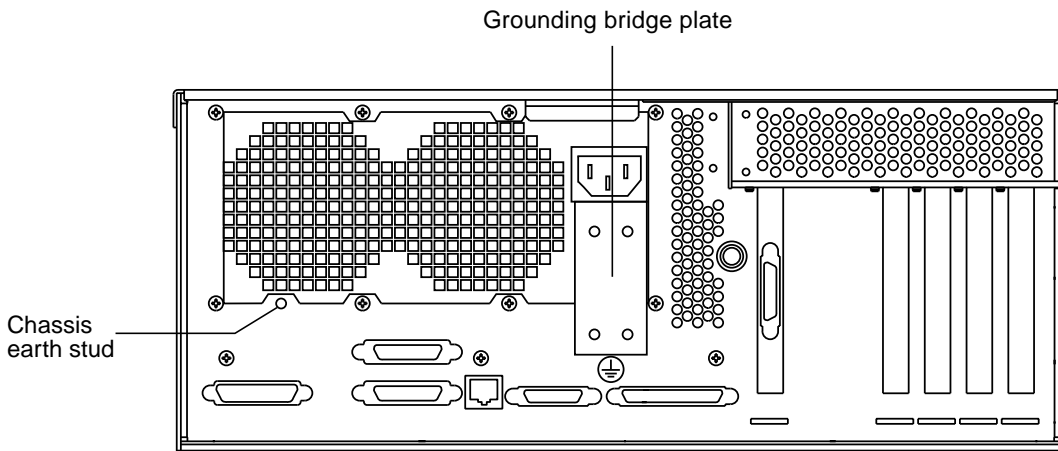


FIGURE 1 Grounding Points

# Grounding

The safety earth path is established by the connection of the grounding conductor within the AC power cord to a “reliably” earthed socket outlet located near the equipment.

## Grounding in an IT Power System (e.g. Norway)

The safety earth path is established by connection of a green/yellow insulated copper conductor (min. 1mm<sup>2</sup>) fitted between the chassis earth stud on the rear of the unit near the earth symbol (see FIGURE 1 on page 18) and a “reliable” earth point located near the equipment. An AC socket outlet protected by a double pole double throw circuit breaker may be required by national and/or local electrical authorities.



---

**Note** – Do not open the top access cover unless the system has been powered down and all power cables have been removed.

---

## Dual Grounding Environment

To be compatible with isolated ground environments (requiring isolation between logic 0V and chassis ground), the fitted grounding bridge plate must be removed and individual connections made to logic 0V and chassis ground studs. The grounding bridge plate is located on the rear of the unit (see FIGURE 1 on page 18).

---

# To Attach the Wrist Strap



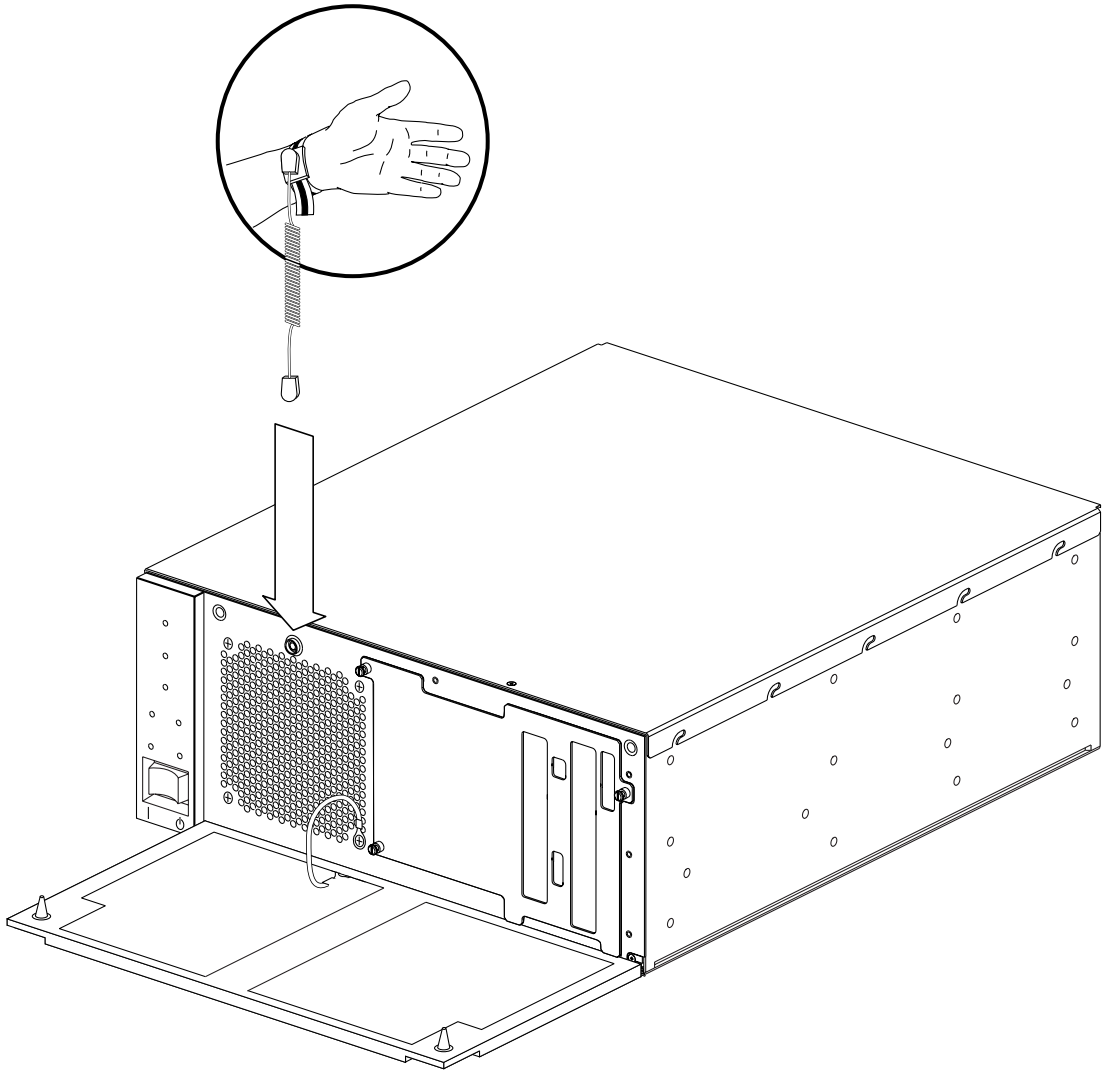
---

**Caution** – Wear an antistatic wrist strap and use an ESD-protected mat when handling components. When servicing or removing system unit components, an ESD Strap should be attached to the wrist, then to a metal area on the chassis or the power-supply (dependent upon procedure), and then the power connectors should be removed from the system unit.

Following this caution equalizes all electrical potentials with the system unit.

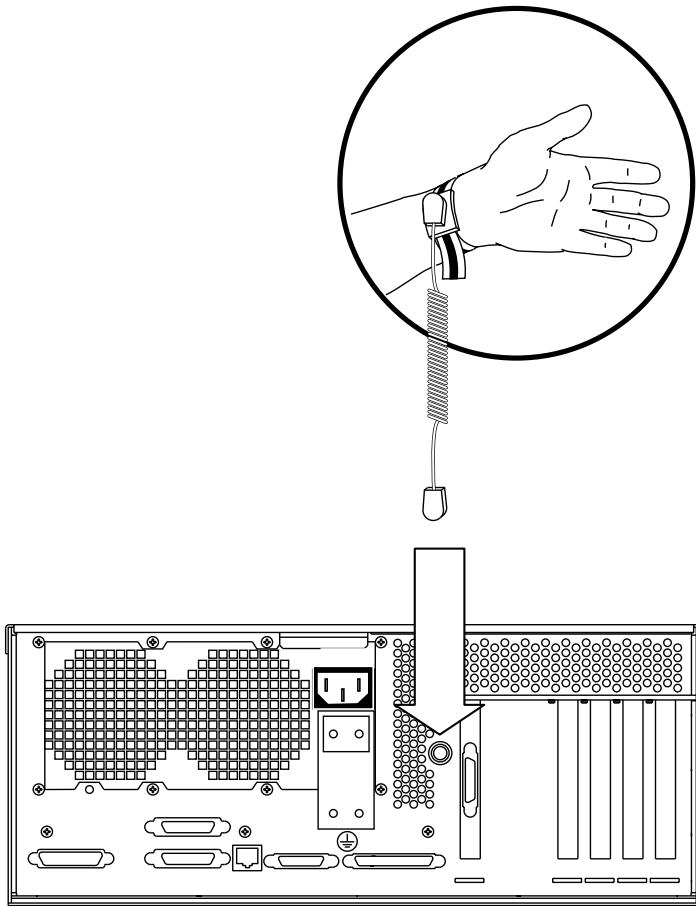
---

Using a wrist strap with a 10mm press stud connection, attach the wrist strap to the press stud either at the front (FIGURE 2 on page 21) or the rear (FIGURE 3 on page 22) of the chassis. This should be performed before the top cover is removed.



**FIGURE 2** Attaching the Wrist Strap to the Front of the Chassis





**FIGURE 3** Attaching the Wrist Strap to the Rear of the Chassis

# Sécurité

---

## Symboles

---

**Remarque** – Une remarque fournit des informations devant être considérées par le lecteur.

---



**Attention** – Fournit des informations sur des procédures ou événements précis dont le non-respect peut provoquer des pertes de données ou des dommages au matériel de votre système.

---



**Attention** – Fournit des informations sur les procédures devant être suivies pour réduire les risques de choc électrique et autres dangers pour la santé du personnel. Veuillez respecter scrupuleusement toutes les instructions.

---

---

## Manipulation de vos disques CD-ROM et soins à prendre

Veillez prendre les mesures de précaution suivantes lorsque vous manipulez les disques CD-ROM:

- NE TOUCHEZ PAS la face du disque sur laquelle les données sont enregistrées (c'est-à-dire la face du disque sans étiquette).

- NE COLLEZ PAS des étiquettes en papier et n'écrivez pas sur l'une ou l'autre face du disque, que ce soit la face données ou la face étiquette).
- S'il y a présence de poussière ou de marques des doigts sur le disque, essuyez-le avec un chiffon propre en allant du centre au bord du disque.
- NE PLACEZ PAS le disque dans un endroit où il sera exposé directement à la lumière du soleil ou à une haute température.



---

**Attention** – Ne jamais utiliser de benzène, de diluant, de liquide de nettoyage, d'agent antistatique ou tout produit de nettoyage de lentille de lecteur CD. Ces produits chimiques peuvent endommager la surface du CD-ROM. De plus, ces fluides se déposeraient sur la brosse de nettoyage de lentille de votre lecteur CD, réduisant son efficacité.

---

---

**Remarque** – Dans certaines circonstances, il est possible que votre système ne démarre pas si la surface de votre CD-ROM est encrassée.

---

## Mesures de sécurité

Les mesures de sécurité générales suivantes doivent être respectées pendant toutes les phases de fonctionnement, d'entretien et de réparation de cet appareil. Le non-respect de ces mesures ou des avertissements spécifiques mentionnés à d'autres pages de ce manuel est une violation des normes de sécurité en matière de construction, de fabrication, et des conditions d'utilisation prévues de l'appareil. Sun Microsystems n'assume aucune responsabilité en cas de non-respect des exigences mentionnées de la part du client.

Les mesures de sécurité listées ci-dessous constituent des avertissements relatifs à certains dangers connus par Sun Microsystems. En tant qu'utilisateur de ce produit, vous devez prendre connaissance de ces avertissements et de toutes les mesures de sécurité nécessaires au fonctionnement de l'appareil en toute sécurité dans votre environnement d'utilisation.

## Conditions requises en matière de sécurité

Pour votre sécurité, veuillez respecter toutes les mesures de sécurité lors de l'installation de l'appareil:

- Respectez tous les avertissements et instructions indiqués sur l'appareil.

- Veillez à ce que les tensions et fréquence assignées de la prise d'alimentation correspondent aux valeurs indiquées sur l'étiquette signalétique de l'appareil.
- Ne jamais introduire d'objet de quelque type que ce soit dans les ouvertures de l'appareil. Ils pourraient entrer en contact avec des tensions dangereuses ou court-circuiter des composants, provoquant un incendie ou un choc électrique.
- Ne faites effectuer les travaux d'entretien que par du personnel qualifié.

## Mise à la terre de l'appareil

Appareil de Classe 1:



Pour minimiser les risques de choc électrique, le boîtier de l'appareil doit être mis à la terre. Cet appareil à courant continu est fourni avec une connexion de mise à la terre. Le conducteur de mise à la terre doit être raccordé solidement à la prise de terre indiquée.



## Ne pas faire fonctionner dans une atmosphère déflagrante

Ne pas faire fonctionner l'appareil en présence de gaz ou de vapeurs inflammables. L'utilisation de tout équipement électrique dans un environnement de ce type présente un grave danger en matière de sécurité.



## Ne vous approchez pas de circuits sous tension

Seul le personnel formé à cet effet peut retirer les couvercles de l'appareil pour procéder à des réglages internes, des échanges de composants ou autres travaux à l'intérieur de l'appareil. Dans certaines conditions, des tensions dangereuses peuvent être présentes dans l'appareil, même lorsque l'alimentation en courant est interrompue.



## Ne pas procéder seul à des travaux d'entretien ou de réglage

N'essayez pas de procéder à des travaux d'entretien ou de réglage internes hors de la présence d'une personne capable, en cas de besoin, de fournir les premiers soins et de réanimer un éventuel blessé.



## Ne pas remplacer de pièces ou modifier l'équipement

Considérant le risque de provoquer des dangers supplémentaires et/ou la possibilité de compromettre les dispositions de conformité, ne pas installer de pièces de remplacement ou effectuer de modification non autorisée sur l'appareil. Adressez-vous à votre entreprise locale pour tous travaux d'entretien et de réparation afin d'être assuré que les mesures de sécurité seront respectées.



### Si un disque CD-ROM est installé:

Si vous procédez à des contrôles, des réglages ou des procédures différents de ceux décrits dans ce guide, vous pourrez être exposé à un rayonnement dangereux.

## Disjoncteur externe bipolaire

Un disjoncteur externe bipolaire est nécessaire lorsque le connecteur de sortie a une polarité indéterminée ou que la fiche du cordon d'alimentation est réversible au niveau du connecteur de sortie. Le disjoncteur devra répondre aux prescriptions des autorités électriques nationales et/ou locales.

## Mise à la terre

Le chemin de la mise à la terre est établi par la connexion du conducteur de mise à la terre au sein du cordon d'alimentation CA à un connecteur de sortie "fiablement" mis à la terre situé à proximité de l'équipement.

## Mise à la terre d'un système d'alimentation TI (par ex. en Norvège)

Le chemin de la mise à la terre de sécurité est établi par la connexion d'un conducteur en cuivre isolé vert/jaune (min. 1 mm<sup>2</sup>) installé entre le goujon de mise à la terre du châssis situé à l'arrière de l'unité, à proximité du symbole de mise à la terre (voir FIGURE 4) et un point de mise à la terre "fiable" situé à proximité de l'équipement. Un connecteur de sortie CA protégé par un disjoncteur bipolaire à deux directions pourra être exigé par les autorités électriques nationales et/ou locales.

---

**Remarque** – N'ouvrez pas le couvercle d'accès supérieur, sauf si le système a été arrêté et que tous les câbles d'alimentation ont été retirés.

---

## Environnement de la double mise à la terre

Pour être compatible avec les environnements de mise à la terre isolés (où une isolation est nécessaire entre la logique 0 V et la terre du châssis), il faut retirer la plaque de serrage de mise à la terre, montée à l'usine, et établir des connexions individuelles avec la logique 0 V et avec les goujons de mise à la terre du châssis. La plaque de serrage de mise à la terre se trouve à l'arrière de l'unité (voir FIGURE 4).

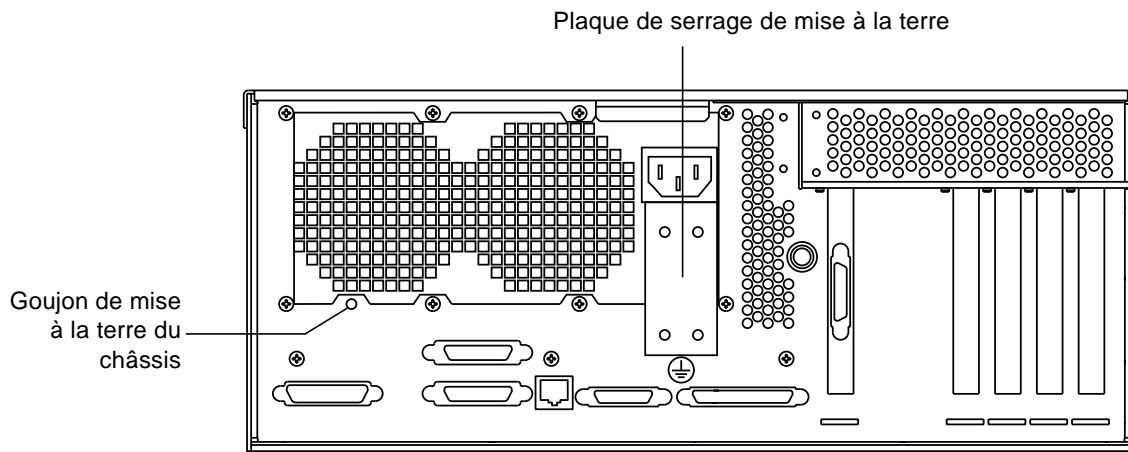


FIGURE 4 Points de mise à la terre du Netra t 1120/1125

---

## Attachez une sangle de poignet



**Attention** – Portez toujours une sangle de poignet antistatique et utilisez une natte de protection antistatique (protection ESD) lorsque vous effectuez des travaux sur les composants du système. Lors de travaux d'entretien ou de démontage d'unités et de composants du système, il faut toujours porter une sangle de poignet antistatique qui doit être raccordée à une zone métallique du châssis du système ou à la prise de terre (selon les travaux à effectuer). Il faut ensuite débrancher tous les raccordements électriques du système. Cette mesure de prudence permet d'égaliser tous les potentiels électriques.

Utilisez une sangle de poignet pourvue d'un bouton-pression de 10mm et attachez-la au bouton correspondant situé à l'avant (FIGURE 2 à la page 21) ou au dos (FIGURE 3 à la page 22) du châssis. Cette procédure doit être effectuée avant de retirer le capot de l'appareil.



# Sicherheit

---

## Symbole

---

**Anmerkung** – Eine Anmerkung liefert Informationen, die der Leser bedenken soll.

---



---

**Vorsicht** – Vorsicht, hier aufgeführte Informationen zu bestimmten Vorgehensweisen oder Ereignissen sind sehr wichtig. Deren Nichtbeachtung kann zu Schäden an der Hardware des Systems oder zu Datenverlust führen.

---



---

**Vorsicht** – Vorsicht, hier aufgeführte Informationen zu bestimmten Vorgehensweisen, die genau befolgt werden müssen, um das Risiko eines elektrischen Schlages oder sonstiger gesundheitlicher Gefährdungen auszuschließen. Befolgen Sie alle Anweisungen genau.

---

---

## Handhabung und Pflege Ihrer CD-ROM

Bitte beachten Sie beim Umgang mit den CD-ROM die folgenden Vorsichtsmaßnahmen:

- Die Datenseite der CD-ROM (die Seite ohne Beschriftung) NICHT berühren.
- KEINE Papieretiketten oder Beschriftungen auf der Datenseite oder der beschrifteten Seite anbringen.



- Staub oder Fingerabdrücke mit einem trockenen Tuch vom Zentrum der Diskette zum Rand hin abwischen.
- Die CD-ROM WEDER direkter Sonneneinstrahlung NOCH hohen Temperaturen aussetzen.



---

**Vorsicht** – Verwenden Sie niemals Benzol, Verdüner, Reinigungsflüssigkeiten, Antistatik-Mittel oder irgendwelche Arten von Linsenreinigern für CD-Spieler. Diese Chemikalien können die Oberfläche der CD-ROM beschädigen. Außerdem würden sich diese Flüssigkeiten auf der Linsenreinigungsbürste im CD-ROM-Lesegerät ablagern und deren Wirksamkeit beeinträchtigen.

---

---

**Anmerkung** – In einigen Fällen kann es bei verschmutzter Oberfläche der CD-ROM dazu kommen, daß das System nicht startet.

---

## Sicherheitsvorkehrungen

Die folgenden, allgemeinen Sicherheitsvorkehrungen müssen bei allen Betriebs-, Wartungs- und Reparaturvorgängen dieses Gerätes beachtet werden. Die Mißachtung dieser Vorkehrungen oder anderer Warnungen und Hinweise an anderer Stelle in diesem Handbuch verletzt Sicherheitsstandards von Konstruktion und Herstellung und widerspricht den vorgesehenen Einsatzbedingungen des Gerätes. Sun Microsystems übernimmt keinerlei Haftung für das Versäumnis von Kunden, die genannten Anforderungen zu erfüllen.

Die im folgenden genannten Sicherheitsvorkehrungen dienen als Warnungen vor bestimmten Gefahren, die Sun Microsystems bekannt sind. Sie, als Benutzer des Produktes, sollten diese Warnungen und alle anderen Sicherheitsvorkehrungen sorgfältig beachten, da diese für den sicheren Betrieb der Geräte unter allen Einsatzbedingungen wichtig sind.

## Sicherheitsanforderungen

Beachten Sie zu Ihrer eigenen Sicherheit alle genannten Sicherheitsvorkehrungen genau, wenn Sie das Gerät installieren:

- Beachten Sie alle Vorsichtsmaßnahmen und Anweisungen, die am Gerät angebracht sind.

- Stellen Sie sicher, daß Spanning und Frequenz der Stromversorgung den Angaben auf dem Geräteschild entsprechen.
- Stecken Sie niemals Gegenstände, gleich welcher Art, durch Öffnungen in das Gerät. Solche Gegenstände könnten mit spannungsführenden Elementen in Berührung kommen oder Komponenten kurzschließen. Dies kann zu Feuer oder zu elektrischen Schlägen führen.
- Lassen Sie alle Wartungsarbeiten an den Geräten nur durch qualifiziert Fachleute durchführen.

## Erden des Gerätes

Gerät der Schutzklasse 1:



Um die Gefahr von Stromschlägen zu minimieren, muß das Gehäuse des Gerätes stets geerdet werden. Dieses DC-Gerät ist mit einem Erdungsanschluß versehen. Der Erdungsleiter muß sicher und zuverlässig mit dem angegebenen Erdungsanschluß verbunden werden.



## Nicht in explosionsgefährdeter Atmosphäre betreiben

Betreiben Sie das Gerät nicht, wenn entzündliche Gase oder Dämpfe vorhanden sind. Der Betrieb von elektrischen Einrichtungen unter solchen Bedingungen stellt ein schweres Sicherheitsrisiko dar.



## Halten Sie sich von spannungsführenden Stromkreisen fern

Nur entsprechend geschultes Fachpersonal darf die Abdeckungen des Systems entfernen, um interne Einstellungen oder sonstige Arbeiten am Gerät vorzunehmen, oder um Komponenten auszutauschen. Unter bestimmten Bedingungen können selbst bei unterbrochener Stromversorgung gefährliche Spannungen im Gerät vorhanden sein.



## Keine Wartungs- oder Einstellungsarbeiten alleine vornehmen

Nehmen Sie keine internen Arbeiten an dem Gerät vor und führen Sie keine Einstellungen aus, wenn nicht eine zweite Person anwesend ist, die bei Bedarf Erste Hilfe leisten oder eine Wiederbelebung durchführen kann.



## Ersetzen Sie keine Teile und nehmen Sie keinerlei Veränderungen an vorhandenen Einrichtungen vor

Wegen der Gefahr, zusätzliche Gefahrenstellen zu verursachen und/oder die Konformität mit Emissionsbestimmungen zu beeinträchtigen, dürfen keine minderwertigen Ersatzteile eingebaut und keinerlei unzulässige Veränderungen an den Einrichtungen vorgenommen werden. Wenden Sie sich für Service-Handlungen und Reparaturen stets ein lokales Service-Unternehmen, damit sichergestellt ist, daß alle Sicherheitsvorkehrungen unbeeinträchtigt bleiben.



### Bei installiertem CD-ROM:

Die Durchführung von Steuerungs- oder Einstellungsarbeiten bzw. von anderen Verfahren als den hier genannten kann zum Austritt gefährlicher Strahlung führen.

## Externer zweipoliger Schutzschalter

Ein externer zweipoliger Umschalt-Unterbrecher ist erforderlich, wenn eine Steckdose mit nicht feststehender Polarität verwendet wird oder wenn der Netzkabelstecker an der Steckdose falsch herum eingesteckt werden kann. Der Unterbrecher muß den national und/oder lokal geltenden Vorschriften entsprechen.

## Erdung

Der Schutzerdungspfad wird gewährleistet durch die Verbindung des Erdleiters im AC-Netzkabel mit einer „zuverlässig“ geerdeten Steckdose in der Nähe des Geräts.

### Erdung eines Systems mit IT-Versorgung (z. B. Norwegen)

Der Schutzerdungspfad wird gewährleistet durch die Verbindung eines grün/gelben isolierten Kupferdrahtes (mindestens 1 mm ) zwischen Gehäuseerdungsbolzen an der Geräterückseite neben dem Erdungssymbol (siehe ABBILDUNG 5) und einem „zuverlässigen“ Erdungspunkt in Gerätenähe. Gemäß den national und/oder lokal geltenden Vorschriften kann es erforderlich sein, daß die AC-Steckdose durch einen zweipoligen Umschalt-Unterbrecher gesichert wird.

---

**Anmerkung** – Öffnen Sie die obere Abdeckung des Systems nicht, ehe das System heruntergefahren und alle Stromkabel gelöst wurden.

---

## Einsatz unter Bedingungen mit „Dual-Grounding“

Für den Einsatz unter Bedingungen mit isolierter Erde (bei denen eine Isolierung zwischen Logik 0V und Chassis-Erdung erforderlich ist) muß die werkseitig montierte Erdungs-Brückenplatte entfernt werden. Dann müssen individuelle Verbindungen zu den Stehbolzen für Logik 0V und Chassis-Erdung hergestellt werden. Die Erdungs-Brückenplatte befindet sich auf der Rückseite des Systems (siehe ABBILDUNG 5).

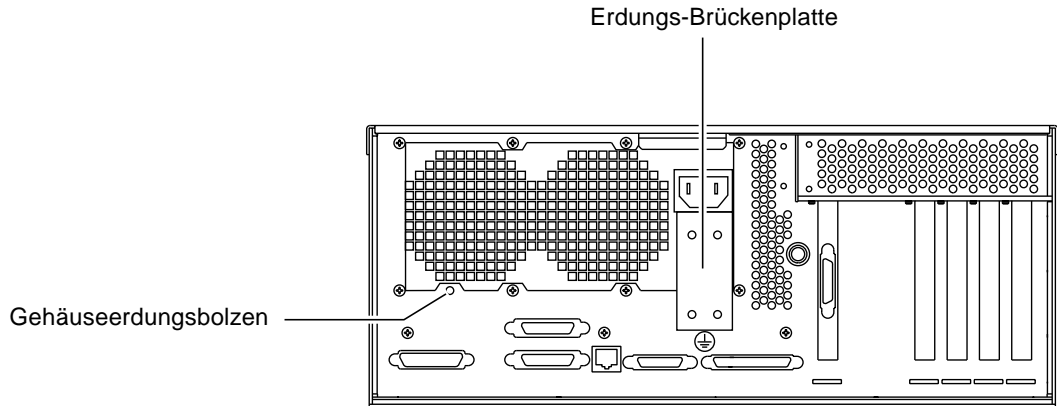


ABBILDUNG 5 Erdungspunkte

---

## Anlegen eines Handgelenkbandes



**Vorsicht** – Tragen Sie stets ein Antistatik-Handgelenkband und verwenden Sie eine antistatische Schutzmatte (ESD-Schutz), wenn Sie Arbeiten an den Komponenten des Systems vornehmen. Beim Warten oder Ausbauen von Systemeinheiten und -Komponenten muß stets ein Antistatik-Handgelenkband getragen werden, das mit einem Metallteil des Systemchassis oder mit der Erdung zu verbinden ist (abhängig von den durchzuführenden Arbeiten). Alle Stromanschlüsse sind anschließend vom System zu trennen.

Durch Beachtung dieser Vorsichtsmaßnahme werden alle elektrischen Potentiale im System neutralisiert.

Verwenden Sie ein Handgelenkband mit einem 10mm-Bolzen und verbinden Sie dieses mit dem entsprechenden Stehbolzen an der Rückseite (FIGURE 2 auf Seite 21 und FIGURE 3 auf Seite 22) des Chassis. Dieser Vorgang sollte erfolgen, bevor die Abdeckung des Gerätes entfernt wird.



# Sicurezza

---

## Simboli

I seguenti simboli hanno i seguenti significati.

---

**Nota** – Una nota fornisce informazioni che devono essere prese in considerazione dal lettore.

---



---

**Attenzione** – Avvertenze caratterizzate da questa icona che richiama l'attenzione dell'utente forniscono informazioni su procedure o eventi che, se non prese in considerazione, possono danneggiare i dati oppure l'hardware del proprio sistema.

---



---

**Attenzione** – Avvertenze caratterizzate da questa icona che indica pericolo forniscono informazioni su procedure che vanno seguite onde ridurre il rischio di elettroshock e pericolo per la salute personale dell'utente. Seguire attentamente tutte le istruzioni.

---

---

# Maneggiare e prendersi cura dei dischi CD-ROM

Si prega di osservare le seguenti precauzioni quando si maneggiano dischi CD-ROM.

- NON toccare il lato dei dati del disco (il lato del disco senza etichetta).
- NON attaccare etichette di carta o scrivere su qualsiasi parte del disco, né sul lato dei dati né sul lato dell'etichetta.
- In presenza di polvere o di impronte digitali sul disco, passare un panno asciutto iniziando dal centro del disco e spostandosi verso l'esterno.
- NON mettere il disco in un qualsiasi luogo dove possa essere esposto alla luce diretta del sole oppure ad alte temperature.



---

**Attenzione** – Non usare benzene, diluente per vernici, detergente per dischi, repellente statico o qualsiasi detergente di lente CD. Queste sostanze chimiche possono danneggiare la superficie del disco CD-ROM. Questi fluidi si accumulano inoltre sulla spazzola che pulisce la lente del lettore di CD riducendone la prestazione.

---

---

**Nota** – In alcuni casi, se il lato dei dati del disco CD-ROM non è pulito, il sistema potrebbe non avviarsi.

---

---

## Precauzioni di sicurezza

E' necessario osservare le seguenti precauzioni generali di sicurezza durante tutte le fasi di funzionamento, manutenzione e riparazione di questa unità. La mancata osservanza di queste precauzioni o di avvertimenti specifici in altre parti di questo manuale viola gli standard di sicurezza di progettazione, produzione ed uso previsto del sistema. La Sun Microsystems declina qualsiasi responsabilità in caso di mancata osservanza di questi requisiti da parte dell'utente.

Le precauzioni di sicurezza elencate di seguito sono avvertimenti di determinati pericoli dei quali la Sun Microsystems è a conoscenza. L'utente deve prendere nota di tali avvertimenti e di tutte le altre precauzioni di sicurezza necessarie per il funzionamento sicuro del sistema nel proprio ambiente operativo.

## Requisiti di sicurezza

Al fine della protezione è necessario osservare le seguenti precauzioni di sicurezza in fase di impostazione del sistema.

- Seguire tutte avvertenze e le istruzioni indicate sull'unità.
- Controllare che la tensione e la frequenza nominali della presa di corrente corrispondano a quanto indicato sull'etichetta dei dati elettrici del sistema.
- Non spingere mai oggetti di nessun tipo attraverso le aperture del sistema in quanto potrebbero toccare pericolosi punti di tensione o piccoli componenti con conseguente sviluppo di un incendio o elettroshock.
- Rivolgersi a tecnici specializzati per lavori di manutenzione e riparazione.

## Collegamento a terra dello strumento

Apparecchio della classe 1:



Per mantenere al minimo il pericolo di elettroshock, l'involucro del sistema deve essere collegato a terra in maniera affidabile (vedere la FIGURA 6 a pagina 39).



## Non usare il sistema in un'atmosfera esplosiva

Non usare il sistema in presenza di gas o esalazioni gassose infiammabili. L'uso di qualsiasi apparecchio elettrico in un ambiente di questo tipo rappresenta un vero pericolo per la sicurezza.



## Tenere lontano da circuiti sotto tensione

Solo a personale specializzato è consentito di rimuovere i coperchi dell'unità per subassemblaggio, sostituzione di componenti o per qualsiasi regolazione interni. In determinate condizioni potrebbero esservi tensioni pericolose anche quando è stata tolta la fonte di alimentazione.





## Non provvedere personalmente alla manutenzione, riparazione o alla regolazione del sistema

Non cercare di provvedere personalmente alla manutenzione, riparazione o regolazione all'interno del sistema a meno che non sia presente un'altra persona in grado di fornire pronto soccorso e rianimazione.



## Non sostituire parti o modificare l'unità

A causa del rischio di causare pericoli aggiuntivi e/o di pregiudicare l'eventuale conformità alle norme relative alle emissioni, non si devono sostituire parti oppure effettuare modifiche non autorizzate all'unità. Rivolgersi al proprio centro di assistenza tecnica locale per lavori di manutenzione e riparazione per assicurare che vengano conservate le caratteristiche di sicurezza.



## Interruttore automatico esterno a due poli

Un interruttore automatico esterno a due poli e due contatti è richiesto laddove la presa ha polarità indeterminata oppure la spina del cavo elettrico è reversibile nella spina. L'interruttore automatico deve soddisfare i requisiti delle autorità elettriche nazionali e/o locali.

Se CD-ROM è in dotazione:



L'uso di comandi e regolazioni o l'attuazione di procedure diversi da quelli specificati in questa sede potrebbero esporre l'utente a radiazioni pericolose.

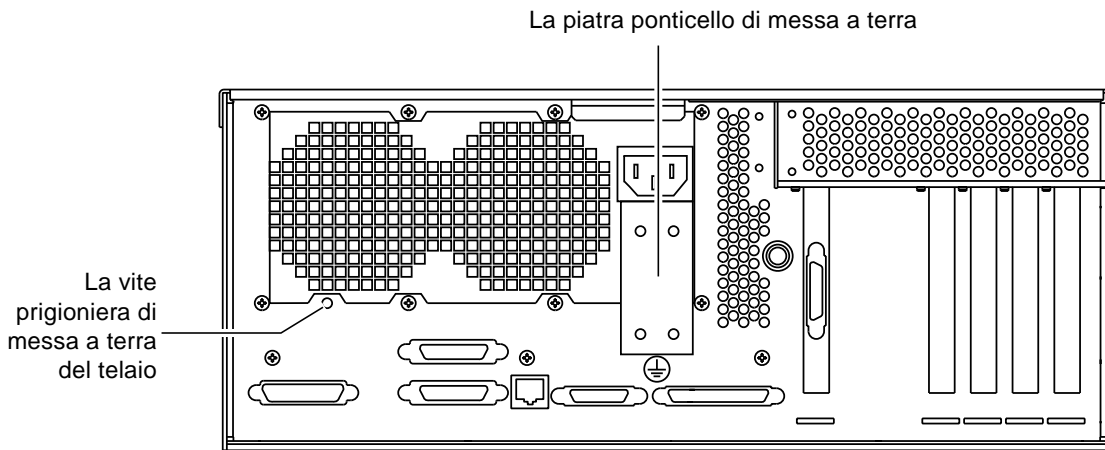


FIGURE 6 Punti di messa a terra

## Messa a terra

Il percorso di sicurezza della messa a terra viene stabilito dal collegamento del conduttore di messa a terra all'interno del cavo elettrico per c.a. ad una presa messa a terra "in maniera affidabile" posta vicino all'unità.

### Messa a terra in un sistema elettrico IT (ad es. Norvegia)

Il percorso di sicurezza della messa a terra viene stabilito dal collegamento di un conduttore di rame isolato verde/giallo (min. 1 mm<sup>2</sup>) tra la vite prigioniera di messa a terra del telaio sul retro dell'unità posta vicino al simbolo di messa a terra (vedere la FIGURA 6 a pagina 39) e un punto del collegamento di messa a terra "affidabile" posto vicino all'unità. Una presa per c.a. protetta da un interruttore automatico a due poli e due contatti potrebbe essere richiesta dalle autorità elettriche nazionali e/o locali.



**Attenzione** – Non aprire il coperchio d'accesso dall'alto a meno che non sia stata tolta l'alimentazione al sistema e siano stati rimossi tutti i cavi elettrici.

## Ambiente con doppia messa a terra

Per essere compatibili con ambienti isolati a massa (che richiedono isolamento tra la vite prigioniera logica da 0 V e la messa a terra del telaio), la piastra ponticello di messa a terra fornita va rimossa e vanno effettuati singoli collegamenti alle viti prigioniere logiche da 0 V e a quelle della messa a terra del telaio. La piastra ponticello di messa a terra si trova sulla parte posteriore dell'unità (vedere la FIGURA 6 a pagina 39).

---

## Collegamento del cinturino da polso



**Attenzione** – Indossare un cinturino da polso antistatico ed usare un tappetino protetto con ESD durante la manipolazione dei componenti. Quando si provvede alla manutenzione o alla rimozione di componenti dell'unità di sistema, indossare un cinturino ESD al polso, collegarlo poi ad un'area metallica sul telaio o sull'alimentatore (a seconda della procedura) e quindi rimuovere i connettori elettrici dall'unità di sistema.

Seguendo questo avvertimento si livellano tutti i potenziali elettrici con l'unità di sistema.

---

Usando un cinturino da polso con un collegamento con automatico da 10mm, attaccare il cinturino da polso all'automatico nella parte anteriore (FIGURA 1 a pagina 17) o posteriore (FIGURA 2 a pagina 18) del telaio. Questo collegamento va effettuato prima di togliere il coperchio superiore.

# Seguridad

---

## Símbolos

---

**Nota** – Una nota da información para la consideración del lector.

---



---

**Precaución** – Precaución identificada por este icono de atención contiene información sobre procedimientos o acontecimientos que si no se consideran pueden causar daños a lo datos o al hardware de su sistema

---



---

**Precaución** – Precaución identificada por este icono de peligro contiene información sobre procedimientos que deben seguirse para reducir el riesgo de descarga eléctrica y peligros para la salud del personal. Siga todas las instrucciones cuidadosamente.

---

---

## Manejo y cuidado de sus discos de CD-ROM

Por favor observe las siguientes precauciones al manejar discos de CD-ROM:

- NO toque la cara de datos del disco (la cara del disco que no tiene etiqueta).
- NO aplique etiquetas de papel ni escriba en ninguna parte del disco, cara de datos o cara de etiqueta.

- Si el disco se ensucia con polvo o huellas dactilares, pase un trapo seco desde el centro del disco hasta el borde.
- NO coloque el disco en ningún sitio donde pueda estar sometido a la luz solar directa o a altas temperaturas.



---

**Precaución** – No utilice benceno, diluyente de pintura, limpiador de discos, repelent estático o cualquier otro tipo de limpiador de lentes de CD. Estos productos químicos pueden dañar la superficie del disco CD-ROM. Además, estos fluidos se acumularán en el cepillo limpiador de la lente de su lector de CD-ROM reduciendo su efectividad.

---

---

**Nota** – En algunas circunstancias si su disco CD-ROM no tiene una superficie de datos limpia su sistema puede no arrancar.

---

## Precauciones de seguridad

Se deben observar las siguientes precauciones generales de seguridad durante todas las fases del funcionamiento, servicio y reparación de este equipo. Si no se observan estas precauciones o los avisos específicos de otras partes de este manual se violarán los criterios de seguridad de diseño, fabricación y uso pretendido del equipo. Sun Microsystems no asumirá responsabilidad alguna si el usuario no cumple estos requisitos.

Las precauciones de seguridad listadas más adelante representan avisos de ciertos peligros de los que Sun Microsystems es consciente. Usted, como usuario del producto, debe observar estos avisos y todas las demás precauciones de seguridad necesarias para el funcionamiento seguro del equipo en su entorno operativo.

## Requisitos de seguridad

Para su protección, observe las siguientes precauciones de seguridad al configurar el equipo:

- Siga todos los avisos de precaución e instrucciones marcadas en el equipo.
- Verifique que todos los voltajes y valor de frecuencia del receptáculo de alimentación coinciden con la etiqueta de valores eléctricos del equipo.

- No introduzca nunca objetos de ningún tipo a través de las aberturas del equipo. Estos podrían tocar puntos de voltaje peligrosos o podrían cortocircuitar componentes resultando en un incendio o descarga eléctrica.
- Encargue la reparación del equipo a personal cualificado.

## Conecte el instrumento a tierra

Equipo de clase 1:



Para minimizar el peligro de descargas, la carcasa del equipo debe estar conectada de manera segura a tierra. Esta unidad de CC lleva un punto de conexión de toma a tierra del equipo. El conductor de puesta a tierra del equipo debe estar sujeto de manera segura al punto de toma a tierra identificado.



## No haga funcionar el equipo en una atmósfera explosiva

No haga funcionar el equipo en presencia de gases o vapores inflamables. El funcionamiento de cualquier equipamiento eléctrico en tal entorno constituye un peligro cierto para la seguridad.



## Manténgase alejado de circuitos con tensión

Sólo el personal preparado debe quitar las tapas del equipo para un desmontaje interno o para recambios de componentes o ajustes internos. Bajo ciertas condiciones pueden existir voltajes peligrosos incluso sin la fuente de alimentación conectada.



## No haga ajustes o reparaciones estando solo

No intente hacer ajustes o reparaciones internas a menos que otra persona capaz de ofrecer resucitación y primeros auxilios esté presente.



## No sustituya piezas ni modifique el equipo

Debido al peligro de introducir peligros adicionales y/o la posibilidad de comprometer el cumplimiento de emisiones, no instale piezas sustitutorias ni lleve a cabo ninguna modificación no autorizada del equipo. Contacte con su organización de apoyo local para el mantenimiento y reparación para asegurar que se mantienen las características de seguridad.



### Si hay CD-ROM acoplado:

El uso de controles, ajustes o la realización de procedimientos distintos de los especificados en este manual puede resultar en la exposición a una radiación peligrosa.

## Disyuntor de Doble Polo Externo (CB)

Se requiere un disyuntor de doble polo externo de doble salto CB cuando la entrada a la toma de tierra tenga una polaridad indeterminada o cuando la clavija del enchufe de alimentación sea reversible en la entrada de la toma de tierra. El CB deberá seguir los requisitos de las autoridades eléctricas nacionales y locales

## Puesta a Tierra

El camino a tierra seguro está establecido por la conexión del conductor de puesta a tierra en el cable de alimentación de CA, a una salida de toma de tierra "de confianza", localizada cerca del equipo.

### Puesta a Tierra en un sistema de Potencia de IT (ej. Noruega)

El camino a tierra seguro está establecido por la conexión de un conductor de cobre aislado de color verde/amarillo (min. 1mm<sup>2</sup>) fijado entre la conexión a tierra del chasis en la parte trasera de la unidad cerca del símbolo de tierra (ver FIGURA 7) y un punto de tierra "de confianza" localizado cerca del equipo. Puede que las autoridades eléctricas locales o nacionales exijan una salida de toma CA protegida por un disyuntor de doble salto y de polo doble.

---

**Nota** – No abrir la tapa superior de la unidad a menos que el sistema haya sido desconectado y que se hayan retirado todos los cables de alimentación.

---

## Entorno de Puesta a Tierra Doble

Para que sea compatible con entornos de tierra aislados (que requieren aislamiento entre 0V lógico y la masa del chasis), se debe extraer la placa del puente de puesta a tierra y se deben hacer las conexiones individuales a los pernos de masa del chasis y 0V lógico. La placa de puesta a tierra está situada en la parte trasera de la unidad (Ver la FIGURA 7).

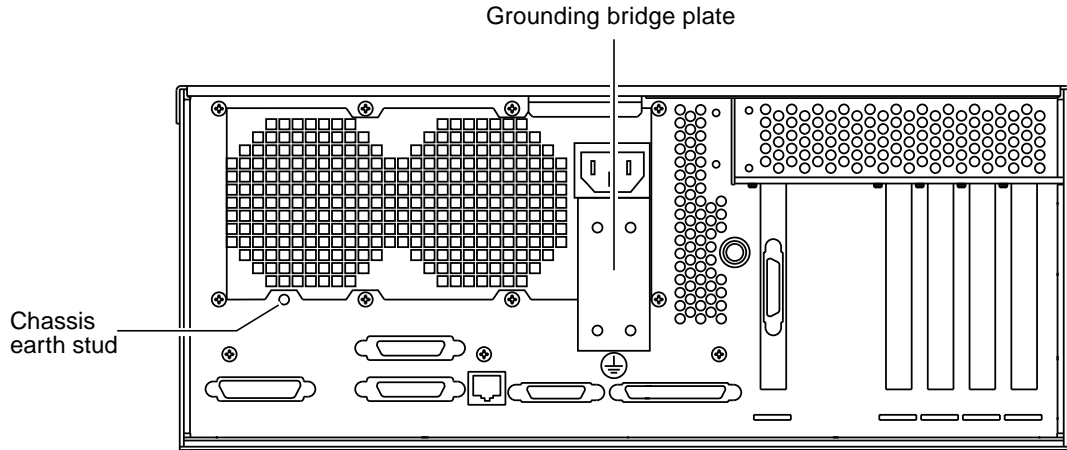


FIGURA 7 Puntos de Puesta a tierra

---

## Para acoplar la muñequera



**Precaución** – Descarga electrostática (ESD) al manejar componentes. Al realizar el mantenimiento o retirar componentes de la unidad del sistema, debe colocarse una muñequera ESD en la muñeca y conectarla a una zona de metal del chasis o de la fuente de alimentación (dependiendo de lo que se vaya a hacer), para después retirar los conectores de alimentación de la unidad del sistema.

Siguiendo este aviso se igualarán todos los potenciales eléctricos de la unidad del sistema.

Usando una muñequera con una conexión de enganche de 10 mm, acople la muñequera a la conexión frontal (FIGURE 2 en la página 21) o trasera (FIGURE 3 en la página 22) del chasis. Esto debe hacerse antes de retirar la tapa superior.





# Säkerhet

---

## Symboler

---

**OBS** – En anmärkning som läsaren bör uppmärksamma.

---



**Varning** – Varningar som är markerade med utropstecken ger information om förfaranden eller händelser som kan skada data eller hårdvara i systemet om de inte uppmärksammas.

---



**Varning** – Varningar som är markerade med blixttecknet ger information om förfaranden som måste följas för att minska risken för elektrisk stöt och fara för personlig hälsa. Följ alla anvisningar nog.

---

---

## Hantering och skötsel av dina CD-ROM-skivor

Följ försiktighetsråden nedan när du hanterar CD-ROM-skivor:

- Vidrör INTE datasidan av skivan (sidan utan etikett).
- Sätt INTE på några pappersetiketter på någon del av skivan, vare sig på datasidan eller etikettsidan.
- Torka av skivan med en torr duk från mitten och utåt, om det kommit damm eller fingermärken på skivan.

- Lägg INTE skivan någonstans där den utsätts för direkt solljus eller hög temperatur.



---

**Varning** – Använd inte bensen, thinner, skivrengöringsmedel, antistatmedel eller någon typ av CD-linsrengöringsmedel. Sådana kemikalier kan skada ytan på CD-ROM-skivan. Dessutom kan dessa vätskor ansamlas på linsrengöringsborsten i CD-ROM-läsaren så att den fungerar sämre.

---

---

**OBS** – Om dataytan på din CD-ROM-skiva inte är ren kan det hända att systemet inte kan laddas.

---

## Säkerhetsråd

Följande allmänna säkerhetsråd måste beaktas under alla faser av användande, service och reparation av utrustningen. Den som inte följer dessa säkerhetsråd eller specifika varningar på andra ställen i handledningen handlar i strid mot de säkerhetsstandarder som gäller konstruktionen, tillverkningen och den avsedda användningen av utrustningen. Sun Microsystems fransäger sig allt ansvar för att tillse att kunden rättar sig efter dessa krav.

Säkerhetsråden nedan är baserade på vissa risker som Sun Microsystems är medvetna om. Som användare av produkten måste du uppmärksamma dessa varningar och alla andra säkerhetsråd som är nödvändiga för säker användning av utrustningen i din användarmiljö.

## Säkerhetskrav

Rätta dig efter säkerhetsråden nedan när du installerar utrustningen:

- Följ alla varningar och anvisningar som är markerade på utrustningen.
- Kontrollera att strömuttagets spännings- och frekvenstal motsvarar vad som står på utrustningens märkplåt.
- Stick aldrig in något som helst föremål genom öppningar i utrustningen. De kan komma åt spänningsförande delar eller kortsluta komponenter och därmed orsaka brand eller elektrisk stöt.
- Överlåt service av utrustningen till utbildad personal.



## Jorda instrumentet

Utrustning av klass 1:

För att minska risken för elektrisk stöt måste du ansluta utrustningens hölje till jord på ett säkert sätt. Denna likströmsenhet är försedd med en jordningsknapp. Utrustningens jordningsledare fästs på denna jordningsknapp.



## Använd inte utrustningen i explosiv atmosfär

Använd inte utrustningen i närvaro av gaser eller ångor. Att använda elektrisk utrustning i sådan miljö utgör en definitiv säkerhetsrisk.



## Håll utrustningen på avstånd från strömförande kretsar

Endast utbildad personal får avlägsna utrustningens höljen för att lägga till eller byta ut interna komponenter eller göra interna justeringar. Under vissa förhållanden kan det finnas farliga spänningar inuti även när strömkällan har avlägsnats.



## Utför inga underhålls- eller justeringsarbeten ensam

När du utför underhålls- eller justeringsarbeten måste det alltid finnas en annan person närvarande som kan första hjälpen och återupplivning.



## Byt inte ut några delar och modifiera inte utrustningen

På grund av risken för att ytterligare faror ska tillkomma och/eller att emissionerna kan överskrida tillåtna värden får du inte byta ut delar eller utföra ej auktoriserade modifikationer av utrustningen. Kontakta din lokala stödorganisation för service och reparationer för att vara säker på att samma nivå av säkerhet upprätthålls.

Om en CD-ROM-skiva är monterad:

Om andra reglage, justeringar eller förfaranden används än dem som anges här, kan det ge upphov till farlig strålning.

# Jordning

En säker jordningsväg upprättas genom att jordningskopplingen i nätkabeln ansluts till en "pålitligt" jordad kontakt nära utrustningen.

## Jordning i ett IT-kraftsystem (t.ex. Norway)

En säker jordningsväg upprättas genom att en gröngul isolerad kopparledare (min. 1 mm<sup>2</sup>) monteras mellan jordningsstiftet på baksidan av enheten nära jordningssymbolen (se FIGUR 8) och en "pålitligt" jordad kontakt nära utrustningen. Det kan hända att din nationella och/eller lokala elmyndighet kräver ett nätuttag skyddat av en dubbelpolig tvåvägsbrytare.

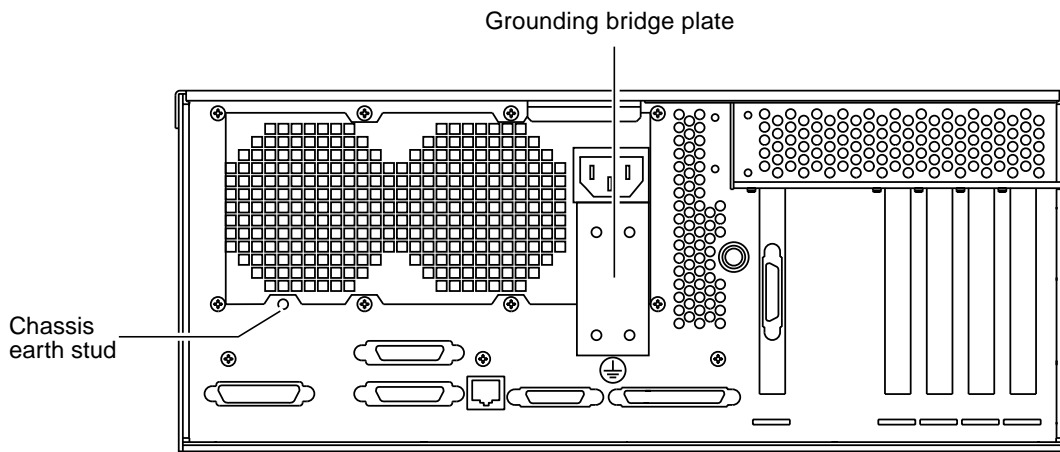
---

**OBS** – Öppna inte den övre panelen om systemet inte har gjorts strömlöst och alla elkablarna har avlägsnats.

---

## Dubbel jordningsmiljö

För att utrustningen ska kunna användas i isolerad jordningsmiljö (som kräver isolering mellan logikens 0V och skåpets jord) måste den monterade jordningsbryggan och separata anslutningar göras mellan logikens 0V och skåpets jordningsstift. Du hittar jordningsbryggan baktill på enheten (se FIGUR 8).



FIGUR 8 Jordningspunkter

---

# Anslutning av handledsband

---



**Varning** – Sätt ett antistatband runt handleden och använd en ESD-skyddad matta när du hanterar komponenter. När du ska underhålla eller ta ut komponenter i någon systemenhet fäster du först ett ESD-band runt handleden och ansluter den till en metalldel på höljet eller till kraftförsörjningen (beroende på vilket förfarande du utför) och drar sedan ut strömkontaktarna ur systemenheten.

I och med detta utjämnas alla elpotentialerna i systemenheten

---

Använd ett handledsband med en 10 mm tryckknapp och fäst handledsbandet på tryckknappen framtill (FIGURE 2 på sid. 21) eller baktill (FIGURE 3 på sid. 22) på höljet. Gör detta innan du tar av den övre panelen.



# 安全

---

## 符号

以下符号的含义为:

---

**注意** - “注意” 引出读者应予以考虑的信息。

---



---

**小心** - 内含惊叹号的“小心”图标引出一些过程和事件的信息,如不注意这些信息,可能使您的系统内的数据和硬件遭到破坏。

---



---

**小心** - 内含闪电记号的“小心”图标引出一些过程的信息,必须遵守这些信息以减少触电和损害人体健康的风险。

---



---

## 處置和照管您的 CD-ROM 磁盤

處置 CD-ROM 磁盤時請遵守以下防護措施:

- 不要触摸磁盘的数据面(无标志的一面)。
- 不要贴纸标签或在磁盘的任何部位(数据面及标志面)涂写。
- 如果磁盘上留下灰尘或指印,可用干爽棉从磁盘中心向外缘擦拭。
- 不要将磁盘直接暴露于日光和高温下。



---

**小心** - 不要使用苯,油漆溶剂,磁带清洁剂,静态防护剂或任何类型的CD镜片清洁剂。这些化学制剂会损坏CD-ROM磁盤表面。另外,这些液体会在CD-ROM磁头上的镜片清洁刷上堆积而降低效率。

---

---

**注意** - 某些情况下不洁的CD-ROM表面会造成系统引导失败。

---

---

## 安全防护

设备操作、维修及修理的所有阶段中均应遵守以下安全防护措施。不遵守这些措施或本手册其它地方给出的警告违反了设备设计、制造及预期使用的安全标准。Sun微型计算机公司对用户不遵守这些要求的行为不承担责任。

以下列出的安全防护措施表明Sun微型计算机公司对一些危险有所警惕并给出警告。您作为产品的使用者应注意这些警告及其它所有安全防护措施,以保证在您的操作环境中设备的安全工作。

## 安全要求

安装设备时应遵守以下安全防护措施:

- 遵守设备上标注的所有告诫、警告及指导。
- 保证电源插座的电压与频率额定值与设备电气额定标签相匹配。
- 严禁将任何物体伸进设备通风口。它们可能触及危险电压点或使部件短路，造成失火或电击。
- 请专业人员进行设备维修。



### 工具接地

1级设备:

为尽量降低电击危险,设备外壳必须与电气接地点可靠连接(见18页图)。



### 不要在易爆环境中操作

在有可燃气体或烟尘的场合下不要使用设备。在这种环境中使用任何电气设备都有安全风险。



### 远离带电电路

拆除设备外罩以处理内部子装置或更换组件或任何内部调试只能由训练有素的专业人员完成。在某些情况下,即使已断电,仍可能存在危险电压。



### 不要独自维修或调试

除非有他人在场能够提供初级救护,不要试图进行内部维修或调试。



## 不要替换部件或改动设备

因可能引入附加危险及/或可能违反放射性规程,不要安装替换部件或未经授权改动设备。维修及修理请与您当地的服务组织联系以保证安全特征得到维护。



## 外部双极电路断路器(CB)

若插座极性不确定或插座口电源线插头可换向,要求使用外部双极双开关CB。CB应满足国家及/或地方电气部门的要求。



若安装了CD-ROM

违反这些规则的操作、调试或过程可能导致危险的辐射照射。

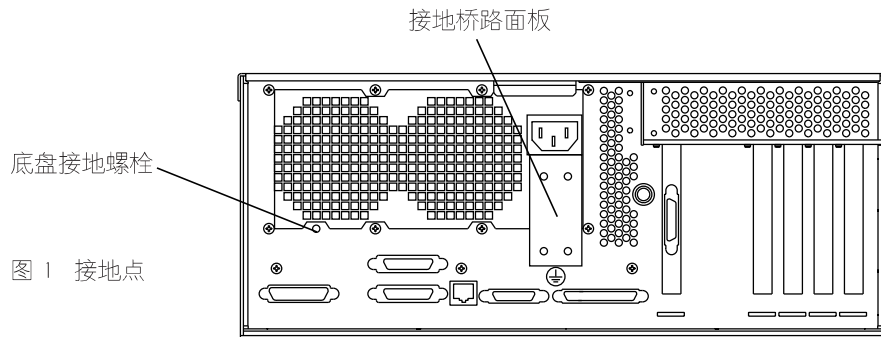


图 1 接地点

## 接地

将交流电缆线中的接地导线与设备附近“可靠”接地的插槽口相连接,则建立了安全接地路线。

### IT 电源系统的接地(如, 挪威)

将装置后部接地符号附近支架接地螺栓间的绿/黄绝缘铜导线(最小 $1\text{mm}^2$ (见 18 页图))与设备附近“可靠”的接地点相连接,则建立了安全接地路线。国家和地方电气管理部门可能要求使用双极双开关电路断路器保护的交流插槽口。



---

**注意** - 不要打开顶部入口外罩,除非系统断电且所有的电源线都已被取下。

---

### 双接地环境

为了能够与隔离接地环境(要求逻辑 0 伏与底盘接地相互隔离)兼容,必须移开固定的接地桥路面板,与逻辑 0 伏及底盘接地钮钉分别连接。接地桥路面板位于装置后部(见 18 页图)。



---

## 连接腕带

---

**小心**-对元件操作时必须佩戴防静电腕带并使用一个ESD防护垫。维修或拆除系统单元元件时，须将ESD带一端连接在手腕上,另一端与底盘或电源(取决于操作过程的金属部分)相连，然后将电源导线从系统单元断开。

遵守这一防护措施使得所有电位与系统单元电位相等。

---

用一个10mm 按扣连接的腕带,将腕带连接到底盘前端(见 21 页图 2)或后端(见 22 页图 3)的按扣上。这一步骤应在拆除顶盖前完成。

# 安全

---

## 符號

以下符號的含義為:

---

**注意** - “注意” 引出讀者應予以考慮的信息。

---



---

**小心** - 內含驚嘆號的“小心”圖標引出一些過程和事件的信息,如不注意這些信息,可能使您的系統內的數據和硬件遭到破壞。

---



---

**小心** - 內含閃電記號的“小心”圖標引出一些過程的信息,必須遵守這些信息以減少觸電和損害人體健康的風險。

---

---

## 處置和照管您的 CD-ROM 磁盤

處置 CD-ROM 磁盤時請遵守以下防護措施:

- 不要觸摸磁盤的數據面(無標志的一面)。
- 不要貼紙標籤或在磁盤的任何部位(數據面及標志面)塗寫。
- 如果磁盤上留下灰塵或指印,可用干爽棉布從磁盤中心向外緣擦拭。
- 不要將磁盤直接暴露於日光和高溫下。



---

**小心** - 不要使用苯,油漆溶劑,磁帶清潔劑,靜態防護劑或任何類型的 CD 鏡片清潔劑。這些化學制劑會損壞 CD-ROM 磁盤表面。另外,這些液體會在 CD-ROM 磁頭上的鏡片清潔刷上堆積而降低效率。

---

---

**注意** - 某些情況下不潔的 CD-ROM 表面會造成系統引導失敗。

---

---

## 安全防護

設備操作、維修及修理的所有階段中均應遵守以下安全防護措施。不遵守這些措施或本手冊其它地方給出的警告違反了設備設計、制造及預期使用的安全標準。Sun 微型計算機公司對用戶不遵守這些要求的行為不承擔責任。

以下列出的安全防護措施表明 Sun 微型計算機公司對一些危險有所警惕並給出警告。您作為產品的使用者應注意這些警告及其它所有安全防護措施,以保證在您的操作環境中設備的安全工作。

## 安全要求

安裝設備時應遵守以下安全防護措施:

- 遵守設備上標註的所有告誡、警告及指導。
- 保證電源插座的電壓與頻率額定值與設備電氣額定標籤相匹配。
- 嚴禁將任何物體伸進設備通風口。它們可能觸及危險電壓點或使部件短路，造成失火或電擊。
- 請專業人員進行設備維修。



### 工具接地

1級設備:

為盡量降低電擊危險，設備外殼必須與電氣接地點可靠連接(見 18 頁圖 1)。



### 不要在易爆環境中操作

在有可燃氣體或煙塵的場台下不要使用設備。在這種環境中使用任何電氣設備都有安全風險。



### 遠離帶電電路

拆除設備外罩以處理內部子裝置或更換組件或任何內部調試只能由訓練有素的專業人員完成。在某些情況下，即使已斷電，仍可能存在危險電壓。



### 不要獨自維修或調試

除非有他人在場能夠提供初級救護，不要試圖進行內部維修或調試。





## 不要替換部件或改動設備

因可能引入附加危險及/或可能違反放射性規程,不要安裝替換部件或未經授權改動設備。維修及修理請與您當地的服務組織聯系以保證安全特徵得到維護。



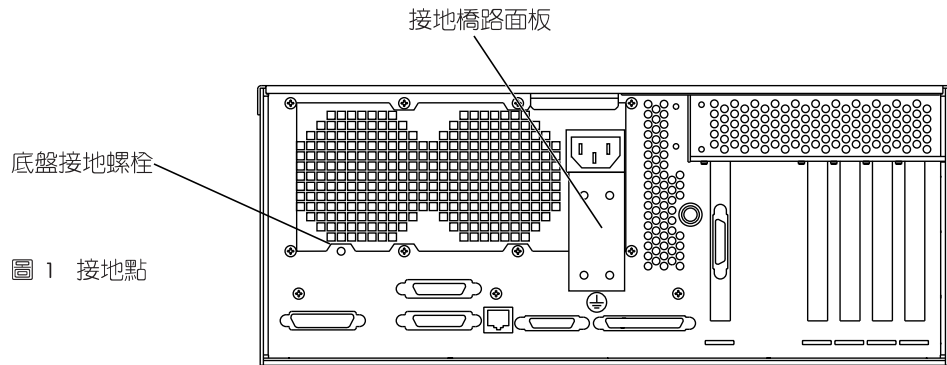
## 外部雙極電路斷路器(CB)

若插座口極性不確定或插座口電源線插頭可換向,要求使用外部雙極雙開關CB。CB應滿足國家及/或地方電氣部門的要求。



若安裝了 CD-ROM:

違反這些規則的操作、調試或過程可能導致危險的輻射照射。



## 接地

將交流電纜線中的接地導線與設備附近“可靠”接地的插槽口相連接，則建立了安全接地路線。

### IT 電源系統的接地(如，挪威)

將裝置后部接地符號附近支架接地螺栓間的綠/黃絕緣銅導線(最小 $1\text{mm}^2$ (見 18 頁圖 1))與設備附近“可靠”的接地點相連接，則建立了安全接地路線。國家和地方電氣管理部門可能要求使用雙極雙開關電路斷路器保護的交流插槽口。



---

**注意** - 不要打開頂部入口外罩，除非系統斷電且所有的電源線都已被取下。

---

### 雙接地環境

爲了能夠與隔離接地環境(要求邏輯 0 伏與底盤接地相互隔離兼容，必須移開固定的接地橋路面板，與邏輯 0 伏及底盤接地鈕釘分別連接。接地橋路面板位於裝置後部(見 18 頁圖 1))。

---

## 連接腕帶



---

**小心** - 對元件操作時必須佩戴防靜電腕帶並使用一個ESD防護墊。維修或拆除系統單元元件時，須將ESD帶一端連接在手腕上，另一端與底盤或電源(取決於操作過程的金屬部分)相連，然後將電源導線從系統單元斷開。

遵守這一防護措施使得所有電位與系統單元電位相等。

---

用一個10mm按釦連接的腕帶，將腕帶連接到底盤前端(見21頁圖2)或後端(見22頁圖3)的按釦上。這一步驟應在拆除頂蓋前完成。

## パート II 安全性

---



# 安全性

---

## シンボル

次のシンボルの意味は下記の通りです。

---

注 - 注意書きは読み手が配慮しなければならない情報が記載されています。

---



---

注意 - この感嘆号のアイコンが付いた注意は、配慮しないとシステムのデータやハードウェアに損傷を与える可能性のある手順またはイベントに関する内容が記載されています。

---



---

注意 - この危険印のアイコンが付いた注意は、感電や人体に害がある危険性を低くするために守るべき手順に関する内容が記載されています。全指示によく従って下さい。

---

---

## CD-ROMディスクの取扱と管理

CD-ROMディスクを取り扱うとき、下記に示す注意事項を守って下さい。

- ディスクのデータ面（ラベルのついていないディスク面）に触れないで下さい。
- ディスクのデータ面あるいはラベル面上に紙のラベルを貼付したり、字を書いたりしないで下さい。
- ディスクにほこりや指紋がついた場合、乾燥した布でディスクの中央から端に向かって拭き取って下さい。
- ディスクを直射日光の当たる所や高温の場所に保管しないで下さい。



---

**注意** - ベンゼン、ペンキ希釈剤、レコード・クリーナー、静防水剤又はその他 CD レンズ・クリーナーは使用しないで下さい。これら化学製品は CD-ROM ディスクの表面を傷つけることがあります。それに加え、これら液体は CD-ROM ディスク読み取り装置のレンズ・クリーニング・ブラシに付着し、有効性を低下させます。

---

---

**注** - 場合により、CD-ROM ディスクのデータ面が清潔でないと、システムがきちんとブートしないことがあります。

---

---

## 安全上の注意事項

当機器を操作する際はいつでも、次に述べる一般的な安全注意事項を必ず守って下さい。これらの注意事項または当マニュアルで触れている特定の警告に従わないと、設計上の安全基準、製造及び機器の使用目的が無意味なものになってしまいます。サン・マイクロシステムは使用者が下記必要事項の遵守を無視した場合に対する責任は一切ありません。

下記に掲げる安全注意事項はサン・マイクロシステムが認識する危険性に対する警告です。製品のユーザーは、次に示す操作環境内で当機器の安全操作に不可欠な警告及びその他安全注意事項の全てに留意して下さい。

## 安全上の必要事項

安全な操作をするために、機器のセットアップ際、次に示す安全上の注意事項を守って下さい。

- 機器に示されている注意事項、警告及び指示の全てに従って下さい。
- 電気コンセントの電圧と周波数速度が機器上のラベルに表示している電気定格に合っていることを確認して下さい。
- 機器に何も押し込まないで下さい。何かを押し込むと、それらが危険な電圧ポイントに触れたり、部品をショートさせたりし、火事や電気ショックに導く可能性があります。
- 機器のサービスは資格を持った技師に依頼して下さい。



### 器具の接地

クラス1 機器

ショックの危険性を最低限にするため、機器のエンクロージャーは電気の接地がしっかりされていなければなりません。(18 ページの図1 をご覧ください。)



### 爆発性のある環境での使用は避けて下さい。

可燃性のガスや炎がある所で機器を操作しないでください。そのような環境で電気機器を操作すると必ず安全に反する危険が伴います。



### 帯電しているサーキットには近づかないで下さい。

内部の準組立や部品の交換、または内部調整を行うには、相応の技術を持った人だけが機器のカバーを取り外して下さい。状況によっては、電源が抜かれていても危険な電圧が残っている場合があります。



### 単独でサービスや調整をしないで下さい。

応急手当及び蘇生技術を身につけた人がいない状況の中で内部のサービスや調整をしないで下さい。





## 部品の交替や機器の改変は避けて下さい。

危険性が増したり、または放出コンプライアンスを弱化させる可能性があるため、交替部品のインストールや認可されていない機器への改良はお避け下さい。安全性のためにも、サービスと修理に関しては最寄りのサポート機関にご連絡下さい。



## 外付け二極サーキット・ブレーカー（CB）

コンセントに未確定の極がある場合や電源コードのプラグがコンセントで可逆する場合、外付けの二極双投サーキット・ブレーカーが必要です。CB は国家及び・または地方の電力当局の必要条件に適合しなければなりません。



CD-ROMが取り付けられている場合：

以下で指定する以外のコントロールの使用、調整や手順の実行は放射線が露出する危険な状態を引き起こす恐れがあります。

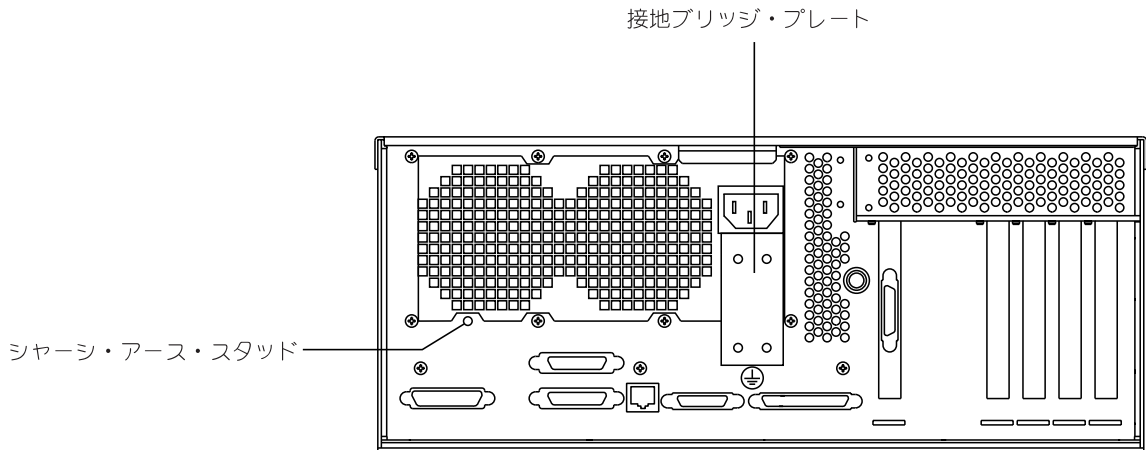


図1 接地ポイント

## 接地

機器の近くにある「しっかりと」接地されているソケット口に AC 電源コード内の接地コンダクターを接続して、接地が安全に行われるようにします。

### IT パワー・システムにおける接地（例：ノルウェー）

本体背面、アース・シンボルの近くにあるシャーシ・アース・スタッド（18 ページの図 1 参照）と機器の近くにある「しっかりと」接地されているコンセントとの間に緑 / 黄色の絶縁銅製コンダクター（最低 1mm<sup>2</sup>）を接続して、接地が安全に行われるようにします。国家及び・または地方の電力当局によって、二極双投サーキット・ブレーカーで保護されている AC コンセントが必要になることもあります。



---

注—システムの電源が切られており、電源ケーブルが全て取り外されている場合を除き、トップ・アクセス・カバーを開かないでください。

---

### 二重接地環境

独立接地環境（ロジック 0V とシャーシ・グラウンドとを分離する必要がある環境）に適合するためには、装着されている接地ブリッジ・プレートを取り外し、ロジック 0V とシャーシ・グラウンド・スタッドにそれぞれのコネクションを設ける必要があります。接地ブリッジ・プレートは本体背面にあります（18 ページの図 1 をご覧ください）。

---

## 手首ストラップの取付け方



---

**注意**—部品を取り扱う際は、帯電防止の手首ストラップを装着し、ESD 保護のマットを使用して下さい。システム本体の部品をサービスまたは取り外すとき、ESD ストラップを必ず手首に、そしてシャーシの金属部分または電源機構（手順による）に取り付け、続いて電源コネクタをシステム本体から取り除いて下さい。

この注意事項を守ることによってシステム本体との電位を均圧にします。

---

10mm プレス・スタッド・コネクションの手首ストラップを使用し、手首ストラップをシャーシの正面（21 ページ図 2）または背面（22 ページ図 3）にあるプレス・スタッドに接続します。この作業はトップ・カバーを取り外す前に行ってください。

# 안전

---

## 기호

기호의 의미는 다음과 같습니다.

---

주 - 주는 사용자가 고려해야 할 정보를 제공합니다.

---



---

주의 - 주의 표시 아이콘에 수반되는 주의 사항은 이를 지키지 않았을 때 데이터나 시스템의 하드웨어에 손상을 야기할 수 있는 절차나 결과에 대한 정보입니다.

---



---

경고 - 이 위험 표시 아이콘에 수반되는 경고 사항은 감전의 위험과 개인 건강상의 위험을 줄이기 위해 따라야 할 절차에 대한 정보입니다. 모든 지시 사항을 신중하게 따르십시오.

---

---

## CD-ROM 디스크의 취급 및 관리

CD-ROM 디스크를 다룰 때는 다음 예방 조치를 준수하시기 바랍니다.

- 디스크에서 데이터가 있는 부분 (레이블이 없는 쪽)을 만지지 마십시오.
- 디스크에서 데이터가 있음 부분이나 레이블이 있는 부분이나 어느 쪽에도 글씨를 쓰거나 종이 레이블을 붙이지 마십시오.
- 디스크에 먼지나 지문이 묻으면, 마른 천을 사용하여 디스크 중앙에서 모서리 쪽으로 닦아 내십시오.
- 직사 광선이나 높은 온도에 노출될 수 있는 장소에 디스크를 보관하지 마십시오.



---

주의 - 벤젠, 페인트 희석제, 레코드 클리너, 정전기 방지제 또는 모든 종류의 CD 렌즈 클리너를 사용하지 마십시오. 이런 화학제품은 CD-ROM 디스크의 표면을 손상시킬 수 있습니다. 게다가, 이런 용액은 사용자의 CD-ROM 판독기의 렌즈 클리닝 브러시에 축적되어 효율성을 떨어뜨립니다.

---

---

주 - 일부 환경에서는, CD-ROM 디스크에 깨끗한 데이터 표면이 없는 경우 시스템을 부팅하지 못할 수도 있습니다.

---

---

## 안전 예방 조치

이 장비의 작동, 서비스 및 수리의 모든 단계에서 다음의 일반적인 안전 예방 조치를 반드시 준수해야 합니다. 이런 예방 조치나 이 매뉴얼 전반에 걸쳐있는 특정 경고를 준수하지 않으면 이 장비의 설계, 제조 및 사용 목적의 안전 기준을 위반하게 됩니다. Sun Microsystems 사에서는 이러한 요건을 준수하지 않아 발생하는 고객의 고장사항에 대해서는 책임을 지지 않습니다.

아래에 나열한 안전 예방 조치는 Sun Microsystems사가 인식하는 특정 위험의 경고를 나타냅니다. 제품 사용자로서 여러분은 작동 환경에서 장비의 안전 작동에 필요한 이런 경고 및 모든 안전 예방 조치를 숙지하고 있어야 합니다.

## 안전 요건

보호를 위해, 장비를 설치할 때는 다음의 안전 예방 조치를 준수하십시오 .

- 장비에 표시된 주의 사항 및 지침사항을 모두 따르십시오 .
- 전원 콘센트의 전압과 주파수가 장비의 전기수 수준에 일치되는지 확인하십시오
- 장비의 슬롯에는 어떤 종류의 물체도 밀어 넣지 마십시오 . 이런 물체는 위험한 압부 위에 닿을 수도 있고 구성 요소를 단락시켜 화재나 감전을 일으킬 수 있습니다 .
- 장비의 서비스는 담당 직원에게 문의하십시오 .



## 기기 접지

### 1 등급 기기

감전 위험을 최소화하기 위해서는 장비 주변 요소들이 전기 접지에 확실히 연결되어 있어야 합니다 ( 페이지 18 의 그림 1 참조 ).



## 폭발위험이 있는 환경에서는 작동하지 마십시오

가연성 가스가 있는 곳에서 장비를 작동하지 마십시오 . 그러한 환경에서의 전기 장크 작동은 안전을 위협하는 요소가 됩니다 .



## 전류가 통하고 있는 회로에서 멀리 떨어지십시오 .

자격이 있는 직원만이 내부 부속 어셈블리 , 부품 교체 또는 내부 조정을 위해 장비의 덮개를 제거할 수 있습니다 . 특정 조건하에서는 전압을 끊었을 경우에도 위험 전압이 존재할 수 있습니다 .



## 혼자서 수리를 하거나 조정하지 마십시오 .

도움을 주거나 다시 복원시킬 수 있는 사람이 없다면 내부 수리나 조정을 시도하지 마십시오 .



## 부품을 대체하거나 장비를 변경하지 마십시오 .

엔진 고장을 초래할 수 있는 위험 및 / 또는 방출 준수를 잃게 될 가능성이 있으므로 , 대체 부품을 설치하거나 승인 받지 않은 장비의 변경을 수행하지 마십시오 . 정비 및 수리를 할 경우에는 지역 지원 센터에 연락하여 안전 기능이 유지되는지 확인하십시오 .



## 회로 차단기 (CB) 의 외부 양극

CB 의 외부 양극은 소켓 출구가 애매한 극성을 가지고 있는 곳이나 전원 코드 플러그가 소켓 출구에서 가역할 수 있는 곳에 필요합니다 . CB 는 전국 또는 지역의 전기 인가 요건을 만족시켜야 합니다 .



CD-ROM 이 맞으면 ,

여기에 정의되어 있는 것 외에 제어의 사용 , 조정이나 절차의 수행으로 위험한 방사선의 노출이 발생할 수 있습니다 .

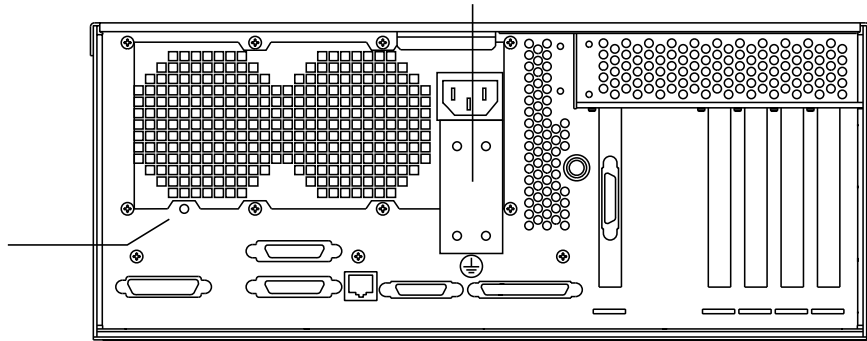


그림 1 접점

## 접지

안전한 접지 경로는 AC 전원 코드 내에 있는 접지 도체와 장비 근처에 위치한 "확실히" 접지 소켓 출구를 연결하여 설정합니다.

### IT 전원 시스템에서의 접지 ( 예 , 노르웨이 )

안전한 접지 경로는 접지 기호 근처의 시스템 후면에 있는 본체 접지 스테드 ( 페이지 18의 그림 1 참조)와 장비 근처에 위치한 "확실한" 접점 사이에 맞춰진 녹색/황색의 절연 구리 도체를 연결하여 설정합니다. 양극과 이중 회로 차단기로 보호되는 AC 소켓 출구는 전국 및 지역 전기 승인에 필요합니다.



---

주 - 시스템 전원을 끄고 모든 전원 케이블을 제거하기 전에는 상단 접근 덮개를 열지 마십시오.

---

### 이중 접지 환경

절연된 접지 환경에 맞추려면 ( 로직 **OV** 와 본체 접지 사이의 절연 필요 ), 해당 접지 연결 판을 빼고 로직 **OV** 와 본체 접지 스테드에 각각 연결해야 합니다. 접지 연결판은 시스템 후면에 위치합니다 ( 페이지 18의 그림 1 참조 ).



---

## 손목띠 부착



---

주의 - 부품을 다룰 때에는 손목띠를 부착하고 ESD- 보호 매트를 사용하십시오 .  
시스템 부품을 수리하거나 제거할 때 ESD 매트를 손목에 부착하고 그 다음에  
본체나 전원의 금속 부분에 부착하고 나서 ( 순서에 따라 ) 전원 연결 장치를 시  
스템에서 제거합니다 .

이 주의 사항은 시스템의 모든 전원에 해당됩니다 .

---

10mm 압축 스테드가 연결되어 있는 손목띠를 사용하여 손목띠를 본체의 앞 ( 페이지  
21 의 그림 2 ) 이나 뒤 ( 페이지 22 의 그림 3 ) 의 압축 스테드에 부착하십시오 . 이는 덮  
개를 제거하기 전에 실행해야 합니다 .