



Sun Fire™ 6800/4810/4800/3800 Systems Site Planning Guide

Sun Microsystems, Inc.
www.sun.com

Part No. 805-7365-15
February 2004, Revision A

Submit comments about this document at: <http://www.sun.com/hwdocs/feedback>

Copyright 2004 Sun Microsystems, Inc., 4150 Network Circle, Santa Clara, California 95054, U.S.A. All rights reserved.

Sun Microsystems, Inc. has intellectual property rights relating to technology that is described in this document. In particular, and without limitation, these intellectual property rights may include one or more of the U.S. patents listed at <http://www.sun.com/patents> and one or more additional patents or pending patent applications in the U.S. and in other countries.

This document and the product to which it pertains are distributed under licenses restricting their use, copying, distribution, and decompilation. No part of the product or of this document may be reproduced in any form by any means without prior written authorization of Sun and its licensors, if any.

Third-party software, including font technology, is copyrighted and licensed from Sun suppliers.

Parts of the product may be derived from Berkeley BSD systems, licensed from the University of California. UNIX is a registered trademark in the U.S. and in other countries, exclusively licensed through X/Open Company, Ltd.

Sun, Sun Microsystems, the Sun logo, AnswerBook2, docs.sun.com, Sun Fire, and Solaris are trademarks or registered trademarks of Sun Microsystems, Inc. in the U.S. and in other countries.

All SPARC trademarks are used under license and are trademarks or registered trademarks of SPARC International, Inc. in the U.S. and in other countries. Products bearing SPARC trademarks are based upon an architecture developed by Sun Microsystems, Inc.

The OPEN LOOK and Sun™ Graphical User Interface was developed by Sun Microsystems, Inc. for its users and licensees. Sun acknowledges the pioneering efforts of Xerox in researching and developing the concept of visual or graphical user interfaces for the computer industry. Sun holds a non-exclusive license from Xerox to the Xerox Graphical User Interface, which license also covers Sun's licensees who implement OPEN LOOK GUIs and otherwise comply with Sun's written license agreements.

U.S. Government Rights—Commercial use. Government users are subject to the Sun Microsystems, Inc. standard license agreement and applicable provisions of the FAR and its supplements.

DOCUMENTATION IS PROVIDED "AS IS" AND ALL EXPRESS OR IMPLIED CONDITIONS, REPRESENTATIONS AND WARRANTIES, INCLUDING ANY IMPLIED WARRANTY OF MERCHANTABILITY, FITNESS FOR A PARTICULAR PURPOSE OR NON-INFRINGEMENT, ARE DISCLAIMED, EXCEPT TO THE EXTENT THAT SUCH DISCLAIMERS ARE HELD TO BE LEGALLY INVALID.

Copyright 2004 Sun Microsystems, Inc., 4150 Network Circle, Santa Clara, Californie 95054, Etats-Unis. Tous droits réservés.

Sun Microsystems, Inc. a les droits de propriété intellectuels relatants à la technologie qui est décrit dans ce document. En particulier, et sans la limitation, ces droits de propriété intellectuels peuvent inclure un ou plus des brevets américains énumérés à <http://www.sun.com/patents> et un ou les brevets plus supplémentaires ou les applications de brevet en attente dans les Etats-Unis et dans les autres pays.

Ce produit ou document est protégé par un copyright et distribué avec des licences qui en restreignent l'utilisation, la copie, la distribution, et la décompilation. Aucune partie de ce produit ou document ne peut être reproduite sous aucune forme, par quelque moyen que ce soit, sans l'autorisation préalable et écrite de Sun et de ses bailleurs de licence, s'il y en a.

Le logiciel détenu par des tiers, et qui comprend la technologie relative aux polices de caractères, est protégé par un copyright et licencié par des fournisseurs de Sun.

Des parties de ce produit pourront être dérivées des systèmes Berkeley BSD licenciés par l'Université de Californie. UNIX est une marque déposée aux Etats-Unis et dans d'autres pays et licenciée exclusivement par X/Open Company, Ltd.

Sun, Sun Microsystems, le logo Sun, AnswerBook2, docs.sun.com, Sun Fire, et Solaris sont des marques de fabrique ou des marques déposées de Sun Microsystems, Inc. aux Etats-Unis et dans d'autres pays.

Toutes les marques SPARC sont utilisées sous licence et sont des marques de fabrique ou des marques déposées de SPARC International, Inc. aux Etats-Unis et dans d'autres pays. Les produits portant les marques SPARC sont basés sur une architecture développée par Sun Microsystems, Inc.

L'interface d'utilisation graphique OPEN LOOK et Sun™ a été développée par Sun Microsystems, Inc. pour ses utilisateurs et licenciés. Sun reconnaît les efforts de pionniers de Xerox pour la recherche et le développement du concept des interfaces d'utilisation visuelle ou graphique pour l'industrie de l'informatique. Sun détient une licence non exclusive de Xerox sur l'interface d'utilisation graphique Xerox, cette licence couvrant également les licenciées de Sun qui mettent en place l'interface d'utilisation graphique OPEN LOOK et qui en outre se conforment aux licences écrites de Sun.

LA DOCUMENTATION EST FOURNIE "EN L'ÉTAT" ET TOUTES AUTRES CONDITIONS, DECLARATIONS ET GARANTIES EXPRESSES OU TACITES SONT FORMELLEMENT EXCLUES, DANS LA MESURE AUTORISÉE PAR LA LOI APPLICABLE, Y COMPRIS NOTAMMENT TOUTE GARANTIE IMPLICITE RELATIVE A LA QUALITE MARCHANDE, A L'APTITUDE A UNE UTILISATION PARTICULIERE OU A L'ABSENCE DE CONTREFAÇON.



Contents

Preface ix

1. Site Planning Checklist 1-1

- 1.1 System Components 1-1
- 1.2 Miscellaneous 1-1
- 1.3 Environmental Requirements 1-1
- 1.4 Facility Power Requirements 1-2
- 1.5 Physical Specifications 1-2
- 1.6 Planning Your Access Route 1-2

2. Physical Specifications 2-1

- 2.1 System Components 2-1
- 2.2 General Physical Guidelines 2-6
 - 2.2.1 Size and Space Specifications 2-6
- 2.3 Planning Your Access Route 2-15
- 2.4 Network Connection Planning 2-16
 - 2.4.1 Setup and Network Connections 2-16
 - 2.4.2 Platform and Domain Setup Information 2-17

3. Environmental and Electrical Specifications 3-1

- 3.1 Environmental Requirements 3-1

3.1.1	Ambient Temperature Recommendations	3-2
3.1.2	Ambient Relative Humidity Recommendations	3-3
3.2	Facility Power Requirements	3-3
3.3	Electrical and Cooling Specifications	3-5

Figures

- [FIGURE 2-1](#) Sun Fire 6800 System 2-2
- [FIGURE 2-2](#) Sun Fire 4810 System Mounted in Optional Sun Fire Cabinet 2-3
- [FIGURE 2-3](#) Sun Fire 4800 System Mounted in Optional Sun Fire Cabinet 2-4
- [FIGURE 2-4](#) Sun Fire 3800 System Mounted in Optional Sun Fire Cabinet 2-5
- [FIGURE 2-5](#) Sun Fire 6800/4810/4800/3800 Systems Access Areas—Top View 2-7
- [FIGURE 2-6](#) Sun Fire 4800 System (Deskside) Access Areas—Top View 2-8
- [FIGURE 2-7](#) Shipping Crate Dimensions 2-11
- [FIGURE 2-8](#) Sun Fire 6800 System Cabinet Dimensions 2-12
- [FIGURE 2-9](#) Sun Fire 6800/4800 and Sun Fire Cabinet—Bottom Views 2-13
- [FIGURE 2-10](#) Sun Fire Cabinet and Sun Fire 6800 System With Hold Down Brackets—Top View 2-14
- [FIGURE 3-1](#) Two RTU Assemblies and Two Independent AC Power Sources 3-4
- [FIGURE 3-2](#) One RTU Assembly and Two Independent AC Power Sources 3-4
- [FIGURE 3-3](#) Two RTU Assemblies and One AC Power Sources 3-5
- [FIGURE 3-4](#) One RTU Assembly and One AC Power Sources 3-5

Tables

TABLE 2-1	Sun Fire System Components	2-1
TABLE 2-2	Thermal Clearance for Sun Fire Standalone Systems	2-7
TABLE 2-3	Physical Specifications for All Sun Fire Systems and Cabinet	2-8
TABLE 2-4	Physical Specifications for Sun Fire 4810/4800/3800 Systems	2-9
TABLE 2-5	Access Route Clearance	2-15
TABLE 2-6	Weight Requirements	2-15
TABLE 2-7	Ethernet Connections	2-16
TABLE 2-8	Host Names and IP Addresses	2-17
TABLE 3-1	Environmental Limits for Sun Fire 6800/4810/4800/3800 Systems	3-2
TABLE 3-2	Optimum Ambient Environmental Operating Conditions for Sun Fire 6800/4810/4800/3800 Systems	3-2
TABLE 3-3	Electrical Specifications for Sun Fire 6800 Cabinet	3-6
TABLE 3-4	Electrical Specifications for Sun Fire Cabinet (Empty)	3-7
TABLE 3-5	Electrical Specifications for Sun Fire 4810 System Not Mounted in the Sun Fire Cabinet	3-7
TABLE 3-6	Electrical Specifications for Sun Fire 4800 System Not Mounted in the Sun Fire Cabinet	3-8
TABLE 3-7	Electrical Specifications for Sun Fire 3800 System Not Mounted in the Sun Fire Cabinet	3-9

Preface

The *Sun Fire™ 6800/4810/4800/3800 Systems Site Planning Guide* helps management and site preparation personnel identify and create suitable environments for the Sun Fire cabinet-mounted systems and standalone systems.

Due to the amount of time required to plan and properly prepare a site for installation of an Sun Fire server system, you must fulfill all of the requirements outlined in this manual before your equipment arrives. Your Sun Microsystems™ account manager is available to help.

How This Book Is Organized

This book is organized into three chapters:

Chapter 1 is a worksheet for planning your space and double-checking details.

Chapter 2 lists system components, size and space requirements, and cable lengths and limitations.

Chapter 3 lists electrical and cooling specifications requirements.

Related Documentation

Application	Title
Installation	<i>Sun Fire 6800/4810/4800/3800 Systems Installation Guide</i>
	<i>Sun Fire 4810/4800/3800 Systems Cabinet Mounting Guide</i>
Operation	<i>Sun Fire 6800 System Cabinet Reference Manual</i>
	<i>Sun Fire Cabinet Installation and Reference Guide</i>
	<i>Sun Fire 6800/4810/4800/3800 Systems Getting Started</i>
	<i>Sun Fire 6800/4810/4800/3800 Systems Service Manual</i>
Software	<i>Sun Fire 6800/4810/4800/3800 Systems Overview Manual</i>
	<i>Sun Fire Midrange Systems Platform Administration Manual</i>
	<i>Sun Fire Midrange System Controller Command Reference Manual</i>

Accessing Sun Documentation Online

You can view, print, or purchase a broad selection of Sun documentation, including localized versions, at:

<http://www.sun.com/documentation>

Contacting Sun Technical Support

If you have technical questions about this product that are not answered in this document, go to:

<http://www.sun.com/service/contacting>

Sun Welcomes Your Comments

Sun is interested in improving its documentation and welcomes your comments and suggestions. You can submit your comments by going to:

<http://www.sun.com/hwdocs/feedback>

Please include the title and part number of your document with your feedback:

Sun Fire 6800/4810/4800/3800 Systems Site Planning Guide, part number 805-7365-15

Cautions and Notes



Caution – Improper handling by unqualified personnel can cause serious damage to this equipment. Unqualified personnel who tamper with this equipment may be held liable for any resultant damage to the equipment.

Individuals who remove any outer panels or open covers to access this equipment must observe all safety precautions and ensure compliance with skill level requirements, certification, and all applicable local and national laws.

Site Planning Checklist

Prior to system installation, confirm that the following requirements have been met.

1.1 System Components

- Has the system configuration been determined?
- What is the total number of systems?

1.2 Miscellaneous

- Have system administrators and operators taken the necessary Sun Microsystems training courses?

1.3 Environmental Requirements

- Does the computer room environment meet the temperature and humidity specifications listed in [Table 3-1](#)?
- Can the computer room environment specifications be maintained satisfactorily?
- Is additional fire suppression equipment required?

1.4 Facility Power Requirements

- Have you determined at what voltage the system cabinet and peripheral cabinet(s) will be operated?
- Have sufficient power receptacles been ordered for each system, monitor, and peripheral?
- Are circuit breakers properly installed and labeled?
- Are the power receptacles within 11.5 feet (3.5 meters) of the server cabinet system, or within 6 feet (1.8 meters) of the standalone server system?

1.5 Physical Specifications

- Has the system location been established?
- Does the equipment floor layout meet the equipment maintenance access and air flow requirements?
- Is the equipment positioned so that the exhaust air of one device does not enter the air inlet of another?

1.6 Planning Your Access Route

- Has the access route been checked against [Table 2-5](#) for clearances of the packaged system?
- Has a proper pallet jack been checked against [Table 2-6](#) for weight limitation for moving the system?
- Has the elevator been checked against [Table 2-5](#) for clearances and [Table 2-6](#) for weight restrictions of the packaged system?

Physical Specifications

This chapter provides information about the physical characteristics of the Sun Fire 6800/4810/4800/3800 systems, including dimensions, space needs, cable sizes, and limitations.

2.1 System Components

Sun Fire systems are available in the following enclosures:

TABLE 2-1 Sun Fire System Components

Sun Fire 6800 system	Standard 19-inch x 75-inch cabinet 6 slot CPU/Memory card cage
Sun Fire 4810 system	3 slot CPU/Memory card cage
Sun Fire 4800 system	3 slot CPU/Memory card cage
Sun Fire 3800 system	2 slot CPU/Memory card cage

The same CPU/Memory boards, PCI and CompactPCI boards, UltraSPARC™ III and UltraSPARC III 900-MHz CPU modules, and memory modules are used in the Sun Fire systems.

Internal storage devices are not supported.

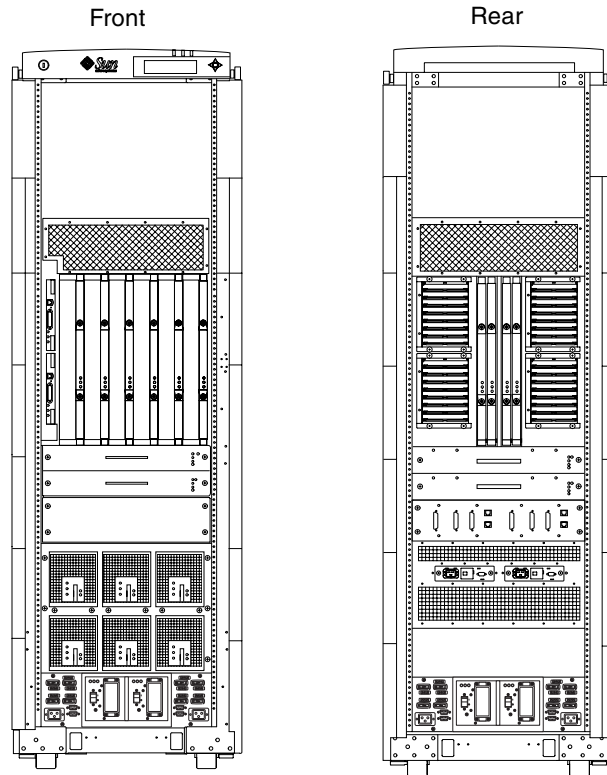


FIGURE 2-1 Sun Fire 6800 System

The maximum configuration for the Sun Fire 6800 system is:

- Data center system cabinet
- Power supply modules (PSM) (6)
- Fan trays (4)
- System Controller boards (2)
- Repeater boards (4)
- CPU/Memory boards (6)
 - UltraSPARC III CPU modules (24)
 - Main memory (192 Gbytes)
- I/O assemblies (4)
 - PCI I/O cards (8 slots per each I/O assembly)
 - CompactPCI I/O cards (4 slots per each I/O assembly)
- Board filler panels for any unpopulated board slots
- Redundant Transfer Units (2)
- Redundant Transfer Switches (4)

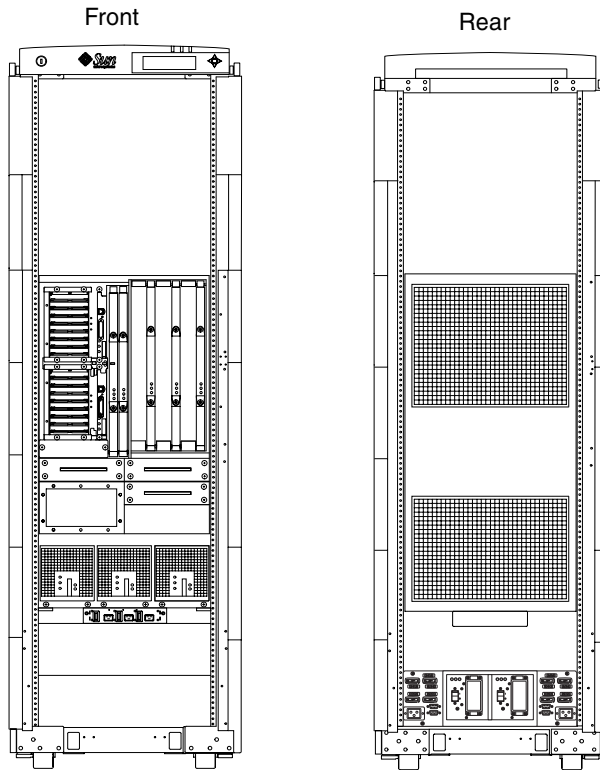


FIGURE 2-2 Sun Fire 4810 System Mounted in Optional Sun Fire Cabinet

The maximum configuration for the Sun Fire 4810 system is:

- Power supply modules (PSM) (3)
- Fan trays (3)
- System Controller boards (2)
- Repeater boards (2)
- CPU/Memory boards (3)
 - UltraSPARC III CPU modules (12)
 - Main memory (96 Gbytes)
- I/O assemblies (2)
 - PCI I/O boards (8 slots per each I/O assembly)
 - CompactPCI I/O cards (4 slots per each I/O assembly)
- Board filler panels for any unpopulated board slots

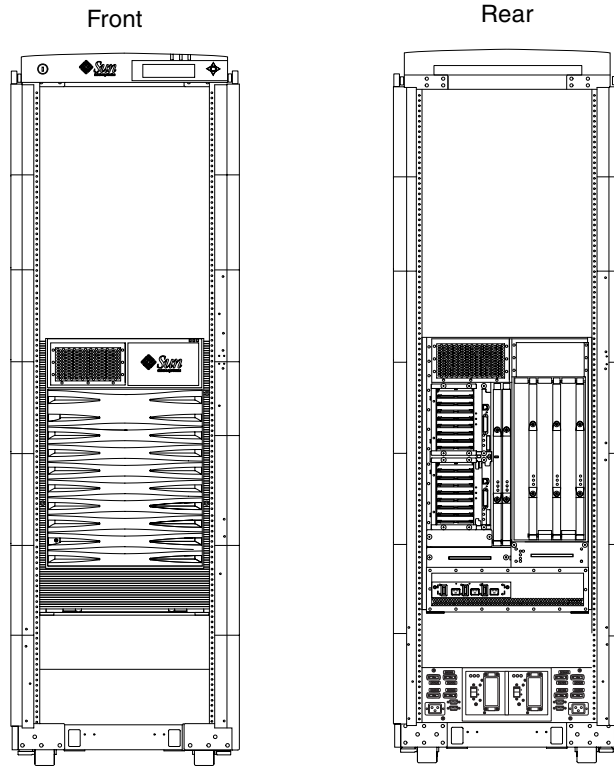


FIGURE 2-3 Sun Fire 4800 System Mounted in Optional Sun Fire Cabinet

The maximum configuration for the Sun Fire 4800 system is:

- Power supply modules (PSM) (3)
- CPU and I/O Fan trays (3)
- System Controller boards (2)
- CPU/Memory boards (3)
- Repeater boards (2)
- UltraSPARC III CPU modules (12)
- Main memory (96 Gbytes)
- I/O assemblies (2)
 - PCI I/O boards (8 slots per each I/O assembly)
 - CompactPCI I/O cards (4 slots per each I/O assembly)
- Board filler panels for any unpopulated board slots

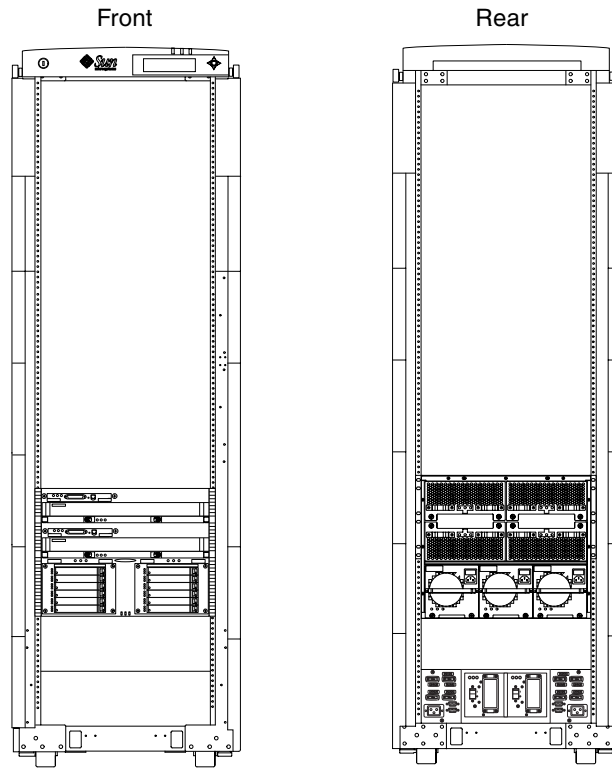


FIGURE 2-4 Sun Fire 3800 System Mounted in Optional Sun Fire Cabinet

The maximum configuration for the Sun Fire 3800 system is:

- Power supply modules (PSM) (3)
- System Controller boards (2)
- CPU/Memory boards (2)
- UltraSPARC III CPU modules (6)
- Main memory (64 Gbytes)
- I/O assemblies (2)
 - CompactPCI I/O boards (6 slots per each I/O assembly)
- Board filler panels for any unpopulated board slots

2.2 General Physical Guidelines

As you plan your space needs for the Sun Fire 6800/4810/4800/3800 systems, keep these conditions in mind:

- *Each* system requires its own power cords, connected to separate power outlets. See [Chapter 3](#) for details on electrical requirements.
- The Sun Fire 6800 system and Sun Fire cabinet require a 30A circuit and a detachable cables. The 30A 200–240 VAC circuit breakers are supplied by the customer.
- The systems require electrical circuits that are grounded to earth.

Consult your specific Sun Fire system installation guide for complete installation details.

Up to three Sun Fire 3800 systems are supported in the Sun Fire Cabinet.

For maximum compute density, the Sun Fire 3800 systems should be mounted in the Sun Fire Cabinet. The Sun Fire 3800 system is also designed to fit in racks which meet the requirements of EIA-310-D.

The Sun Fire 3800 system rack mounting kits are designed to be used in the Sun Fire Cabinet, are not adjustable and may or may not work in other racks. When considering third party rack mounting, the third party thermal guidelines and the third party rack mounting guidelines should be reviewed.

2.2.1 Size and Space Specifications

Sun Fire systems and expansion cabinets can be placed next to each other, without space between them, since there are no side clearance requirements during operation. However, if access is desired, allow approximately 2 feet (60 centimeters) of space on each side to access and remove side panels.

2.2.1.1 Thermal Clearance Specifications

Sun Fire systems not mounted in a Sun Fire cabinet must maintain the minimum thermal distance between the rear of the system and any obstructions or walls. Requirements during operation are listed in the following table.

TABLE 2-2 Thermal Clearance for Sun Fire Standalone Systems

System	Rear Clearance
Sun Fire 3800	36 in. (91.4 cm)
Sun Fire 4800	36 in. (91.4 cm)
Sun Fire 4810	24 in. (60 cm)

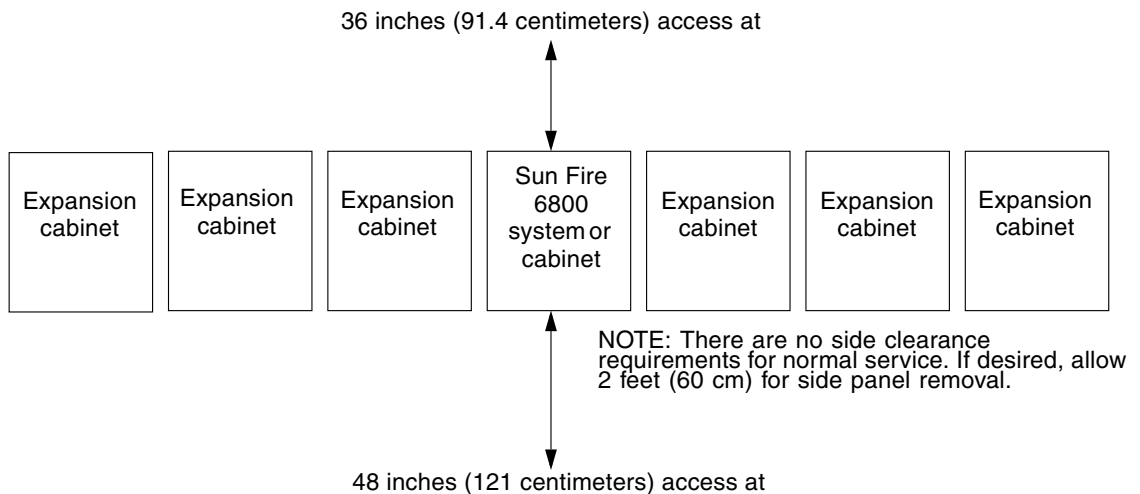


FIGURE 2-5 Sun Fire 6800/4810/4800/3800 Systems Access Areas—Top View

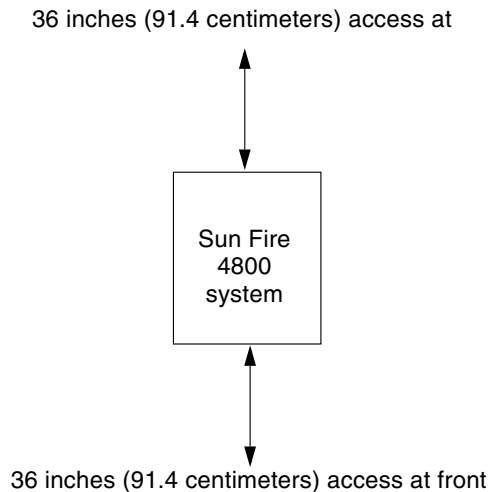


FIGURE 2-6 Sun Fire 4800 System (Deskside) Access Areas—Top View

To determine space requirements for Sun Fire systems, use the following tables:

- [Table 2-3](#) discusses the Sun Fire 6800 system and the Sun Fire cabinet with Sun Fire 4810/4800/3800 system mounted.
- [Table 2-4](#) discusses the Sun Fire 4810/4800/3800 systems, when not mounted in the Sun Fire cabinet.

TABLE 2-3 Physical Specifications for All Sun Fire Systems and Cabinet

Characteristic	Value
Shipping height (package on pallet)	Sun Fire 6800 system = 80.25 in. (203.8 cm) Sun Fire cabinet = 80.25 in. (203.8 cm)
Shipping width (package on pallet)	Sun Fire 6800 system = 42.5 in. (108 cm) Sun Fire cabinet = 42.5 in. (108 cm)
Shipping depth (package on pallet)	Sun Fire 6800 system = 59.3 in. (150.6 cm) Sun Fire cabinet = 47 in. (119.5 cm)
Shipping weight (package on pallet)	Sun Fire 6800 system = 1465 lbs (664.5 kg) Sun Fire cabinet = 558 lbs (253.1 kg)
Height	75 in. (190.5 cm)
Width	24 in. (61 cm)

TABLE 2-3 Physical Specifications for All Sun Fire Systems and Cabinet *(Continued)*

Characteristic	Value
Depth	Sun Fire 6800 system = 53 in. (134.6 cm) Sun Fire 4800/4810 system in cabinet = 37 in. (94 cm) Sun Fire 3800 system in cabinet = 41.1 in. (104 cm)
Weight	Sun Fire 6800 system = 1200 lbs (544.3 kg) Sun Fire cabinet = 325 lbs (147 kg) Sun Fire cabinet with extension= 357 lbs (161.5 kg)
Power cord length	13.13 ft (4.0 m)
Access requirement for front	48 in. (122 cm)
Access requirement for rear	36 in. (91 cm)
Air flow requirement for left and right sides	none

TABLE 2-4 Physical Specifications for Sun Fire 4810/4800/3800 Systems

Characteristic	Value
Shipping height	Sun Fire 4810 system = 49.7 in. (126 cm) Sun Fire 4800 system = 45.3 in. (115 cm) Sun Fire 3800 system = 33.75 in. (85.7 cm)
Shipping width	Sun Fire 4810 system = 26.75 in. (68 cm) Sun Fire 4800 system = 29.1 in. (74 cm) Sun Fire 3800 system = 24.75 in. (63 cm)
Shipping depth	Sun Fire 4810 system = 33.75 in. (85 cm) Sun Fire 4800 system = 40.5 in. (103 cm) Sun Fire 3800 system = 41.5 in. (105.5 cm)
Shipping weight (package on pallet)	Sun Fire 4810 system = 366 lbs (166 kg) Sun Fire 4800 system = 350 lbs (158.8 kg) Sun Fire 3800 system = 260 lbs (117.9 kg)
Height	Sun Fire 4810 system = 36.75 in. (93.4 cm) Sun Fire 4800 system = 30 in. (76.2 cm) Sun Fire 4800 deskside system = 32.4 in. (82.3 cm) Sun Fire 3800 system = 15 in. (38 cm)
Width	Sun Fire 4810/4800 systems = 17.5 in. (44.6 cm) Sun Fire 4800 deskside system = 18.9in. (48.1 cm) Sun Fire 3800 system = 17.7 in. (45 cm)

TABLE 2-4 Physical Specifications for Sun Fire 4810/4800/3800 Systems

Characteristic	Value
Depth	Sun Fire 4810 system = 23.6 in. (60 cm)
	Sun Fire 4800 system = 28.5 in. (72.4 cm)
	Sun Fire 4800 deskside system = 34.2 in. (86.9 cm)
	Sun Fire 3800 system = 34.8 in. (88.4 cm)
Weight	Sun Fire 4810 system = 305 lbs (138.3 kg)
	Sun Fire 4800 system = 289 lbs (131.1 kg)
	Sun Fire 4800 deskside system = 289 lbs (131.1 kg)
	Sun Fire 3800 system = 200 lbs (90.7 kg)
Power cord length	8.2 ft (2.5 m)
Access requirement for front	36 in. (91 cm)
Access requirement for rear	36 in. (91 cm)

[FIGURE 2-7](#) shows the dimensions of the Sun Fire 6800/4810/4800/3800 systems crates.

[FIGURE 2-8](#) shows the dimensions of the Sun Fire 6800 system cabinet.

[FIGURE 2-9](#) shows the footprint dimensions of the Sun Fire 6800 system cabinet, the Sun Fire cabinet with the extension for the Sun Fire 3800 system, and the Sun Fire 4800 deskside system, and the Sun Fire cabinet.

See [Table 3-3](#), [Table 3-4](#), [Table 3-5](#), [Table 3-6](#), and [Table 3-7](#) for system electrical specifications and receptacle model numbers.

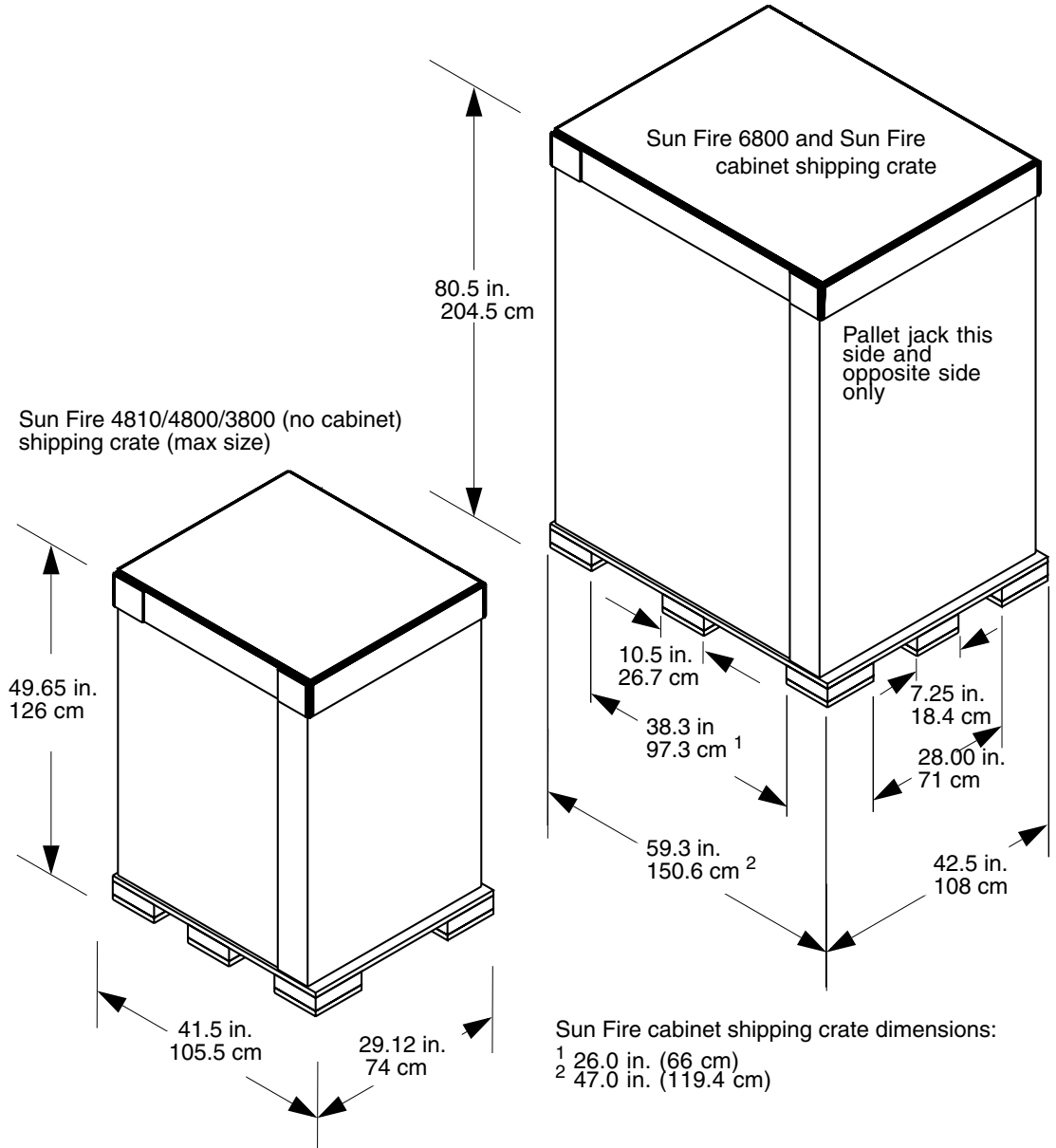


FIGURE 2-7 Shipping Crate Dimensions

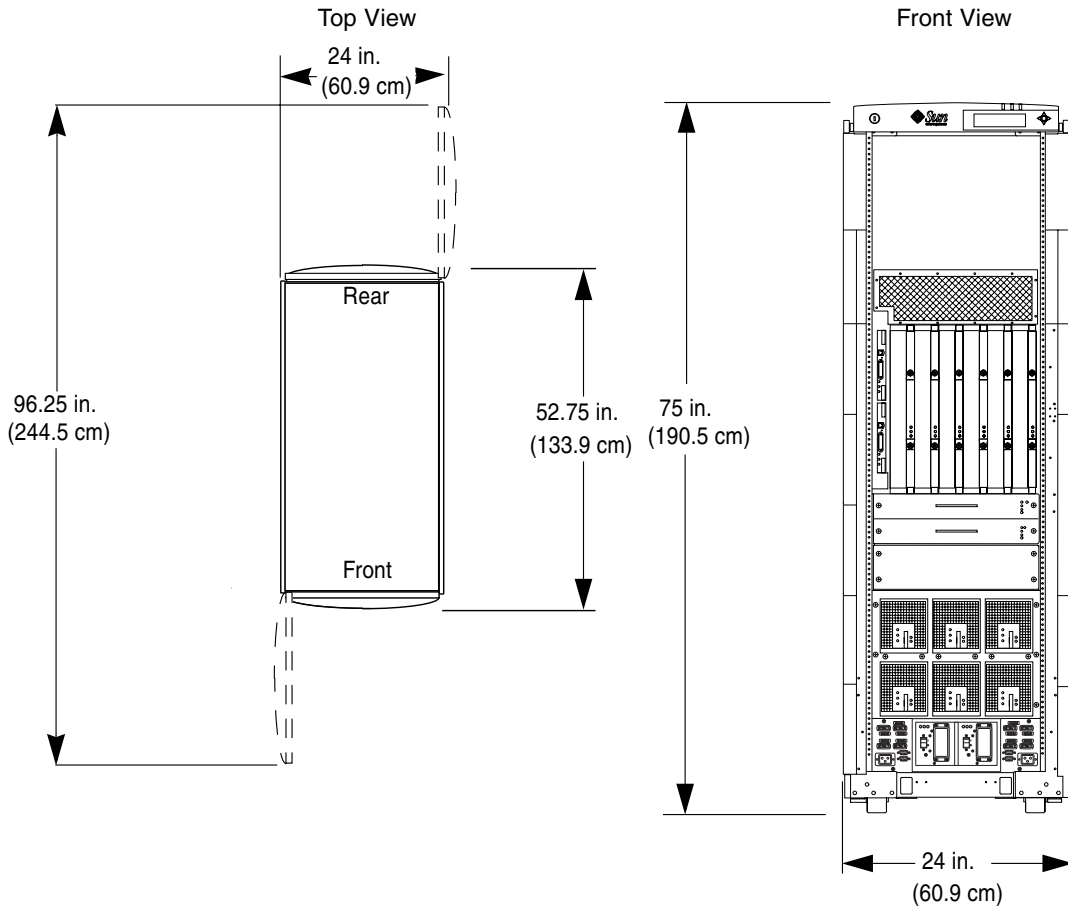


FIGURE 2-8 Sun Fire 6800 System Cabinet Dimensions

Note – For any peripheral tray in the processor cabinet OVER 20 in (50.8 cm) in length, allow additional space for access to the front or rear doors where the peripheral will be loaded.

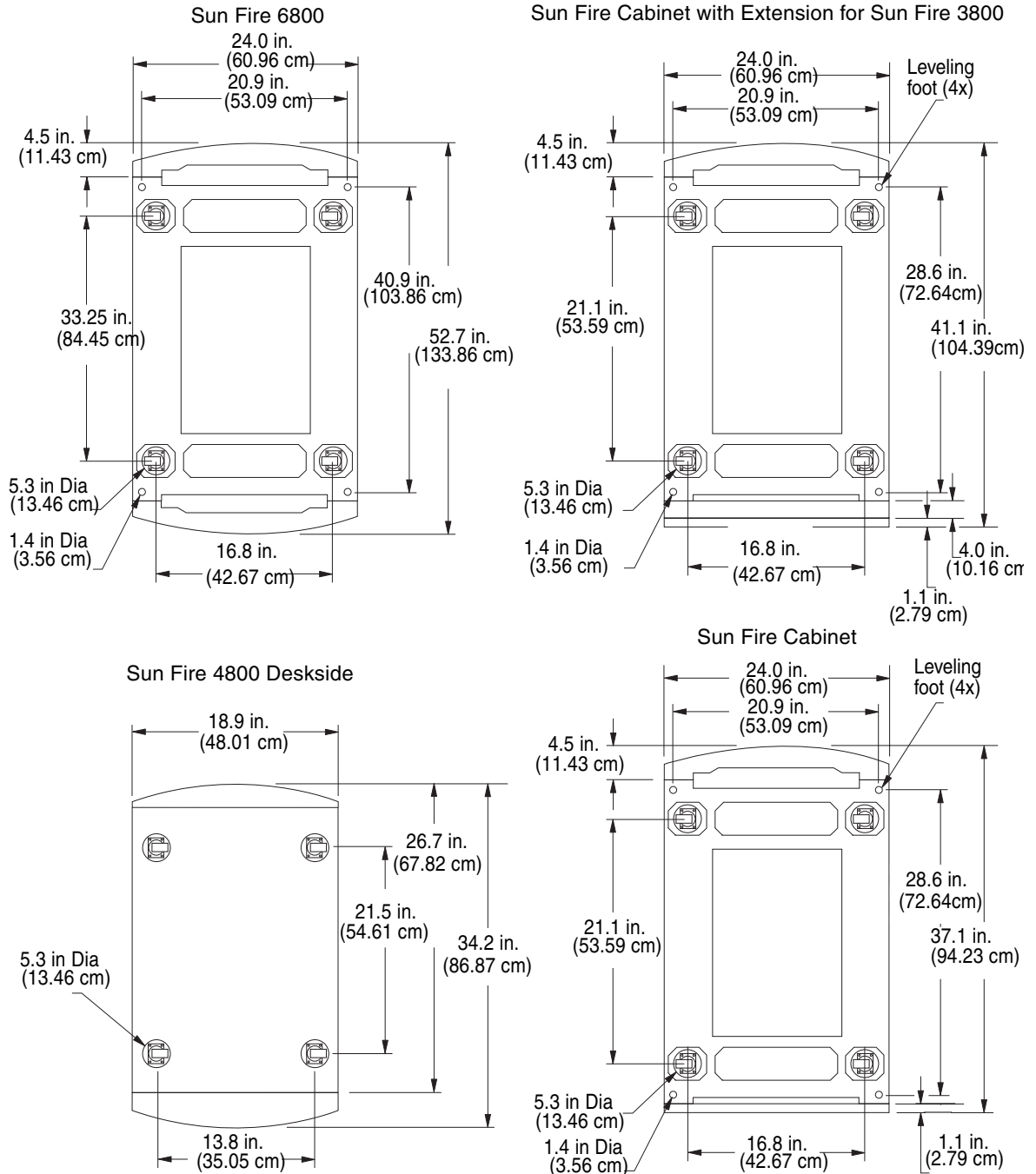


FIGURE 2-9 Sun Fire 6800/4800 and Sun Fire Cabinet—Bottom Views

Note – The holes in the hold down brackets are large enough to accommodate a 3/8 inch or 10 mm bolt using a flat washer and split washer.

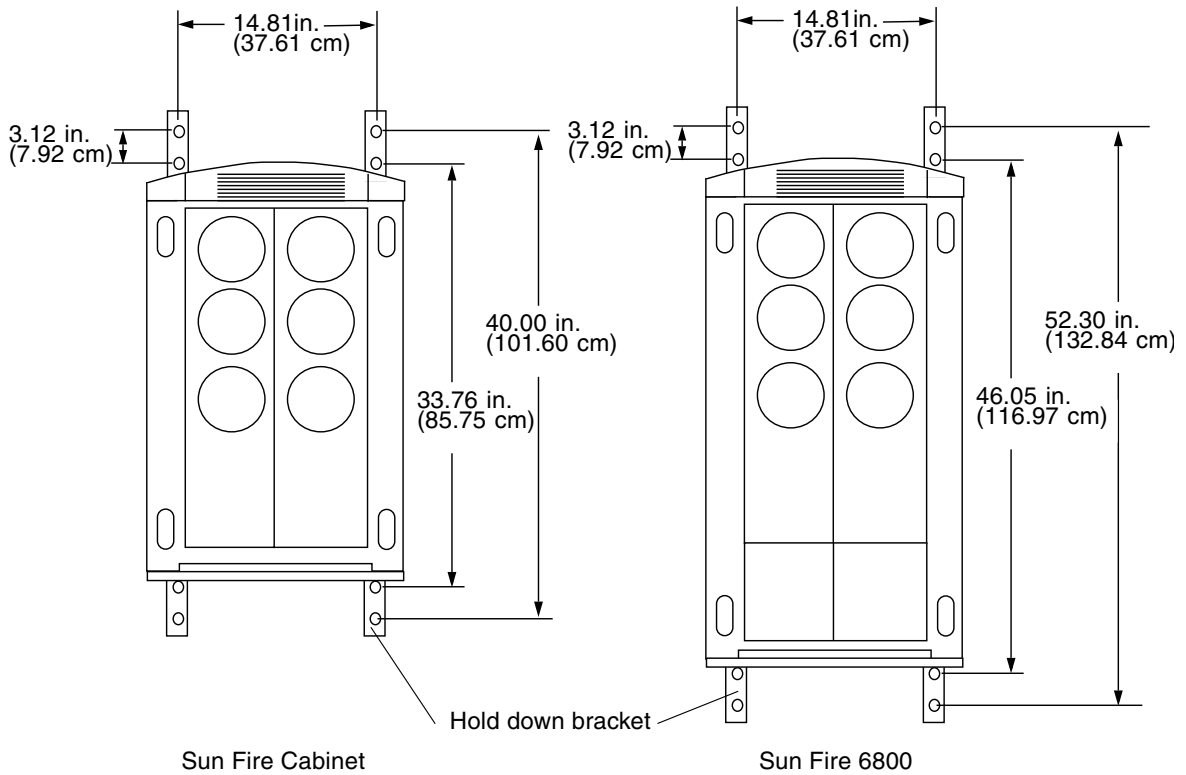


FIGURE 2-10 Sun Fire Cabinet and Sun Fire 6800 System With Hold Down Brackets—Top View

2.3 Planning Your Access Route

If your existing loading dock meets height or ramp requirements for a standard freight carrier truck, you can use a pallet jack to unload the system. If not, you must provide a standard forklift¹ or other means to unload the system, or request the system be shipped in a truck with a lift gate.

See [FIGURE 2-7](#) for an illustration of the system shipping crate and its dimensions. Each system is shipped in a separate crate. A pallet jack is required to move each shipping crate to the system location.

Leave each system in its shipping crate until it reaches its final destination. If the crate does not fit through the planned access route, partially disassemble it.

All systems not shipped in a cabinet should only be lifted by proper computer lifting equipment to prevent personal injury and/or damage to system equipment.

The entire access route to your computer room should be free of raised patterns that can cause vibration, and the route must meet the following requirements:

TABLE 2-5 Access Route Clearance

	With Shipping Pallet	Without Shipping Pallet
Minimum door height	81 in. (205 cm)	75 in. (190.5 cm)
Minimum hallway and door width	44 in. (112 cm)	25 in. (64 cm)
Minimum elevator depth	65.5 in. (166 cm)	61 in. (155 cm)
Maximum incline	10°	10°

TABLE 2-6 Weight Requirements

Minimum elevator, pallet jack and floor loading capacity (maximum weight per system)	1,200 lbs (544 kg)
--	--------------------

1. A standard forklift has a maximum outside tine dimension of 27 in. (69 cm) and a minimum inside tine dimension of 15 in. (38 cm).

2.4 Network Connection Planning

This section provides network setup information for system startup and network connections for the Sun Fire 6800/4810/4800/3800 systems and domains.

2.4.1 Setup and Network Connections

For system setup and continued administrative tasks, one serial cable and one RJ-45 Ethernet cable are required. Once the system has been set up, the Ethernet port can be used for most system administration tasks.

2.4.1.1 Serial Connection

The initial system setup requires an ASCII terminal device connected to the serial port of the main system controller with a null modem cable or a network terminal server (NTS) connection.

2.4.1.2 Ethernet Connection

Once the system is set up, most system administration tasks can be performed through the network via the Ethernet port, using a Category-5 Ethernet cable.

[Table 2-7](#) provides information on the number of Ethernet connections required for each system and domain.

TABLE 2-7 Ethernet Connections

Sun Fire System	System Controllers		Solaris Domains	
	Min	Max	Min	Max
6800	1	2	1	4
4810/4800/3800	1	2	1	2

2.4.2 Platform and Domain Setup Information

Before installing a Sun Fire 6800/4810/4800/3800 system, determine the following information:

- For any platform:
 - Netmask
 - Gateway
 - DNS Domain
 - Loghost
- For each system controller and each domain:
 - hostname
 - IP address

TABLE 2-8 Host Names and IP Addresses

Sun Fire System	Maximum Host Names and IP Addresses	
	For Domains	For System Controllers
6800	4	2 (1 for each System Controller board)
4810/4800/3800	2	2 (1 for each System Controller board)

Environmental and Electrical Specifications

3.1 Environmental Requirements

The design of your environmental control system—such as computer room air-conditioning units—must ensure that intake air to the server system complies with the limits specified in this section.

To avoid overheating:

- Guard against directing any warmed air toward the bottom of the cabinet or standalone server.
- Guard against directing warmed air toward the server access panels.

The air intake screens act as electro-magnetic interference (EMI) and radio frequency interference (RFI) filters, stopping both EMI and RFI emissions from the system. These screens are a honeycomb type screen, which also collect and trap dust and debris particles.

The Sun Fire 6800/4810/4800 systems have been designed for maximum availability such that the air intake screens can be cleaned or changed without the need to power off the system.

The Sun Fire 6800/4810/4800 systems air intake screens require periodic inspection and cleaning. To prevent restricted airflow and possible equipment failure, the air intake screens should be inspected for debris and trapped particles every three months of operation. The level of debris found on the screens and surrounding area should be considered in the decision of when to remove and clean the air intake screen.

The environmental limits for Sun Fire 6800/4810/4800/3800 systems are listed in [Table 3-1](#).

Note – When you receive your system, leave it in the shipping crate at its final destination *for 24 hours* in the environment in which you will install it. This is to prevent thermal shock and condensation.

TABLE 3-1 Environmental Limits for Sun Fire 6800/4810/4800/3800 Systems

Environmental Factor	Temperature Range	Relative Humidity	Altitude
Operating	41°F to 95°F (5°C to 35°C) derate 2°C for every 1 km up to 3 km	20% to 80%, 27°C max wet bulb (noncondensing)	sea level to 9,843 ft (3 km)
Nonoperating	-4°F to 140°F (-20°C to 60°C)	93%, 38°C max wet bulb (noncondensing)	39,370 ft (12 km)

TABLE 3-2 Optimum Ambient Environmental Operating Conditions for Sun Fire 6800/4810/4800/3800 Systems

Environmental Factor	Ambient Temperature Range	Ambient Relative Humidity
Operating	70°F to 73.5°F (21°C to 23°C)	45% to 50%,

The operating environmental limits in Table 3-1 reflect what the systems have been tested to, in order to meet all functional requirements. The optimum operating condition in Table 3-2 is the recommended operating environment. Operating computer equipment for extended periods of time at or near the temperature or humidity extremes is known to significantly increase the failure rate of hardware components.

Note – In order to minimize any chance of down-time due to component failure, it is strongly recommended that customers plan and use the optimal temperature and humidity ranges.

3.1.1 Ambient Temperature Recommendations

The ambient temperature range of 70°F to 74°F (21°C to 23°C) is optimal for system reliability and operator comfort levels. Most computer equipment can operate within a wide temperature range, but a level near 72°F (22°C) is desirable because it is easier to maintain safe associated relative humidity levels at this temperature. Operating in this temperature range provides a safety buffer just in case the environmental support systems go down for a period of time. Though individual standards vary slightly, 70°F to 74°F (21°C to 23°C) should be used as an optimal recommendation.

3.1.2 Ambient Relative Humidity Recommendations

The ambient relative humidity levels between 45% and 50% are the most suitable for safe data processing operations. Under certain circumstances, most data processing equipment can operate within a fairly wide environmental range (20% to 80%), but the optimal goal should be between 45% to 50% for several reasons:

- The optimal range helps protect computer systems from corrosivity problems associated with high humidity levels.
- It provides the greatest operating time buffer in the event of environmental control system failure.
- This range helps avoid failures or temporary malfunctions caused by intermittent interference from static discharges that occur when relative humidity is too low.

Electrostatic discharge (ESD) is easily generated and less easily dissipated in areas where the relative humidity is below 35%, and becomes critical when levels drop below 30%. The 5% relative humidity range may seem unreasonably tight when compared to the guidelines used in typical office environments or other loosely controlled areas, but it is not so difficult to maintain in a data center because of the high efficiency vapor barrier and low rate of air changes normally present.

3.2 Facility Power Requirements

To prevent catastrophic failures, the design of your power system must ensure that adequate power is provided to your Sun Fire system. Use dedicated AC breaker panels for all power circuits that supply power to your system. Electrical work and installations must comply with applicable local, state, or national electrical codes.

Provide a stable power source, such as an uninterruptible power system (UPS), to reduce the possibility of component failures. If the computer equipment is subjected to repeated power interruptions and fluctuations, it is susceptible to a higher

component failure rate than it would be with a stable power source. Every Sun Fire system requires its own customer-supplied circuit breaker and AC receptacle for each power cord.

Each power cord will also supply your system with proper earth ground. Sun has tested both Sun Fire 6800 cabinets and Sun Fire cabinets for radiated and conducted emissions and have determined there is no difference in emissions with or without a ground strap grounding the cabinets. No additional earth grounding is necessary but, it may be added if desired.

The Sun Fire 6800 system has dual Redundant Transfer Units (RTUs) with four Redundant Transfer Switches (RTSs). Two totally independent AC power sources are needed for input power redundancy. The AC power sources must be derived from independent power company utility feeds and Sun recommends that each be backed up with an on-line UPS. The power sources are not independent if they are only distinguished by having separate circuit breakers. One RTS hooked to an AC power source and the second RTS hooked to a UPS that is connected to the same AC power source is not supported because when the UPS is by-passed for maintenance both RTSs will be hooked up to the same source. If both RTSs are hooked to one utility feed then both lines must be backed up with on-line UPSs to ensure input power redundancy.

- In configurations with two RTU assemblies and two independent AC power sources there will be four cables to connect, two on the front, and two on the rear of the system ([FIGURE 3-1](#)).

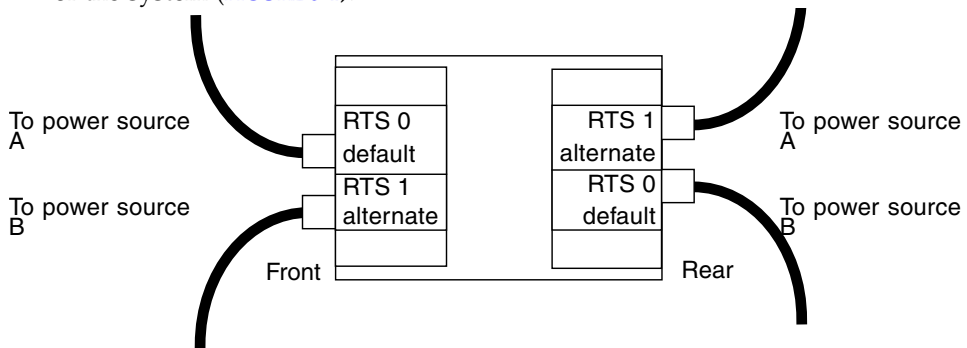


FIGURE 3-1 Two RTU Assemblies and Two Independent AC Power Sources

- In configurations with one RTU assembly and two independent AC power sources there will be two cables to connect, both in the rear of the system (FIGURE 3-2).

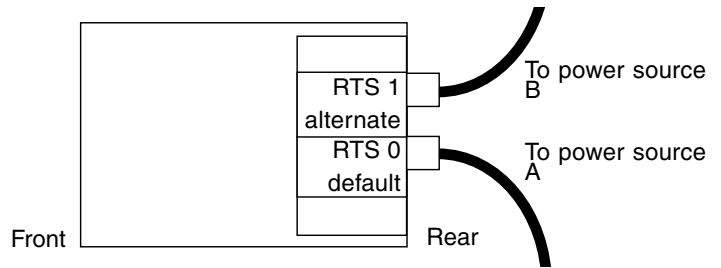


FIGURE 3-2 One RTU Assembly and Two Independent AC Power Sources

- In configurations with two RTU assemblies and one AC power sources there will be two cables to connect, one in the front (on the left), and one in the rear of the system (on the left) (FIGURE 3-3).



Caution – Connecting the alternate RTS units to outlets that use the same power source as the default RTS units is not supported and will adversely affect reliability.

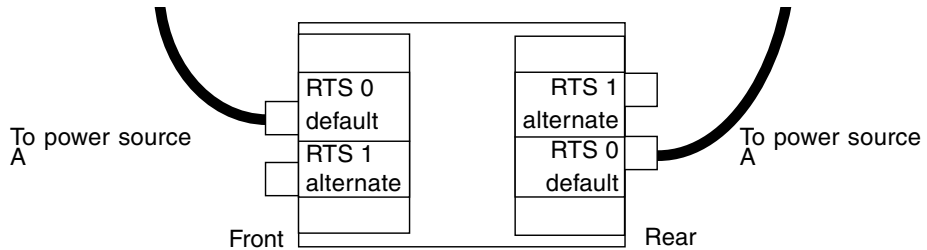


FIGURE 3-3 Two RTU Assemblies and One AC Power Source

- In configurations with one RTU assembly and one AC power sources there will be only one cable to connect (in the rear of the system on the left) (FIGURE 3-4).



Caution – Connecting the alternate RTS unit to an outlet that uses the same power source as the default RTS unit is not supported and will adversely affect reliability.

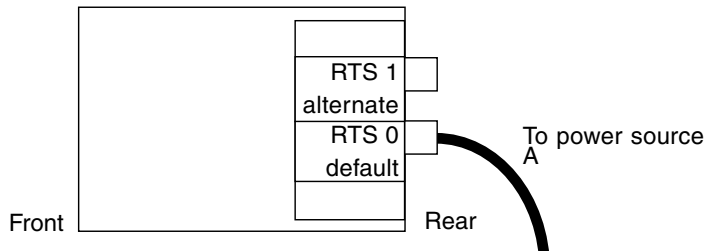


FIGURE 3-4 One RTU Assembly and One AC Power Source

Every piece of support equipment requires its own customer-supplied circuit breaker and receptacle(s).

3.3 Electrical and Cooling Specifications

This section provides guidelines and requirements for cooling your Sun Fire systems. For electrical and cooling specifications, see the following tables:

- [Table 3-3](#) for Sun Fire 6800 system
- [Table 3-4](#) for Sun Fire cabinet
- [Table 3-5](#) for Sun Fire 4810 system
- [Table 3-6](#) for Sun Fire 4800 system
- [Table 3-7](#) for Sun Fire 3800 system

Be aware of the following system cooling rules and guidelines:

- The room should have sufficient air-conditioning capacity to support the cooling needs of the entire system.
- The air-conditioning system should have controls that prevent excessive temperature changes.

TABLE 3-3 Electrical Specifications for Sun Fire 6800 Cabinet

Parameter		Value
Input current	Voltage range	200–240 VAC
	Current, maximum	34A at 208 VAC
	Current frequency range	47–63 Hz
Input power rating	Total continuous power	6,460 W
Volt-ampere rating		6,800 VA
BTU rating		22,030BTU/hr
Power factor		0.95 (with Sun Products)
Connector type	North American	4 - NEMA L6-30P for 200–240 VAC ¹
	International	4 - 32A, single-phase IEC 309, for 200–240 VAC ¹
Receptacle type	North American	4 - NEMA L6-30R for 200–240 VAC ²

1. One power cord for each RTS installed. Minimum required is two and maximum is four.

2. One receptacle type for each power cord installed.

TABLE 3-4 Electrical Specifications for Sun Fire Cabinet (Empty)

Parameter		Value
Input current	Voltage range	200-240 VAC
	Current, maximum	24A at 208 VAC for each RTU
	Current frequency range	47-63 Hz
Volt-Ampere rating		4,992 VA
Connector type	North American	NEMA L6-30P for 200–240 VAC ¹
	International	32A, single-phase IEC 309, for 200–240 VAC ¹
Receptacle type	North American	NEMA L6-30R for 200–240 VAC ²

1. One power cord for each RTS installed. Minimum required is one and maximum is four.

2. One receptacle type for each power cord installed.

TABLE 3-5 Electrical Specifications for Sun Fire 4810 System Not Mounted in the Sun Fire Cabinet

Parameter		Value
Input current	Voltage range	200-240 VAC
	Current, maximum	16.4A at 208 VAC for each power cord (2+1 redundancy)
	Current frequency range	47-63 Hz
Input power rating	Total continuous power	3,120 W
Volt-Ampere rating		3,280 VA
BTU rating		10,625 BTU/hr
Power factor		0.95 (with Sun Products)
Connector type	North American	3 - NEMA 6-15P ¹
	International	3 - 10A, single-phase IEC 320, for 200–240 VAC ¹
Receptacle type	North American	3 - NEMA 6-15R for 200–240 VAC ²

1. One power cord for each power supply installed. Minimum required is two and maximum is three.

2. One receptacle type for each power cord installed.

TABLE 3-6 Electrical Specifications for Sun Fire 4800 System Not Mounted in the Sun Fire Cabinet

Parameter		Value
Input current	Voltage range	200-240 VAC
	Current, maximum	16A at 208 VAC for each power cord (2+1 redundancy)
	Current frequency range	47-63 Hz
Input power rating	Total continuous power	3,040 W
Volt-Ampere rating		3,200 VA
BTU rating		10,370 BTU/hr
Power factor		0.95 (with Sun Products)
Connector type	North American	3 - NEMA 6-15P for 200–240 VAC ¹
	International	3 - 10A, single-phase IEC 320, for 200–240 VAC ¹
Receptacle type	North American	3 - NEMA 6-15R for 200–240 VAC ²

1. One power cord for each power supply installed. Minimum required is two and maximum is three.

2. One receptacle type for each power cord installed.

TABLE 3-7 Electrical Specifications for Sun Fire 3800 System Not Mounted in the Sun Fire Cabinet

Parameter		Value
Input current	Voltage range	100-120 VAC
	Current, maximum	24A at 100 VAC
		19.7A at 120 VAC (2+1 redundancy)
	or	
Voltage range	200-240 VAC	
Current, maximum	11.4A at 208 VAC (2+1 redundancy)	
	Current frequency range	47-63 Hz
Input power rating	Total continuous power	2,280 W @ 100 VAC
		2,240 W @ 120 VAC
		2,170 W @200-240 VAC
Volt-ampere rating		2,400 VA @ 100 VAC
		2,360 VA @ 120 VAC
		2,280 VA @200-240 VAC
BTU rating		7,775 BTU/hr @ 100 VAC
		7,645 BTU/hr @ 120 VAC
		7,385 BTU/hr @ 200-240 VAC
Power factor		0.9 - 0.96 (with Sun Products)
Connector type	North American	3 - NEMA 5-15P for 100–120 VAC ¹ or 3 - NEMA 6-15P for 200–240 VAC
	International	3 - 15A, single-phase IEC 320, for 200–240 VAC ¹
Receptacle type	North American	3 - NEMA 5-15R for 100–120 VAC ² or 3 - NEMA 6-15R for 200–240 VAC

1. One power cord for each power supply installed. Minimum required is two and maximum is three.
2. One receptacle type for each power cord installed. Minimum required is two and maximum is three.

3.4 Thermal Guidelines for Sun Fire 6800/4810/4800/3800 Systems

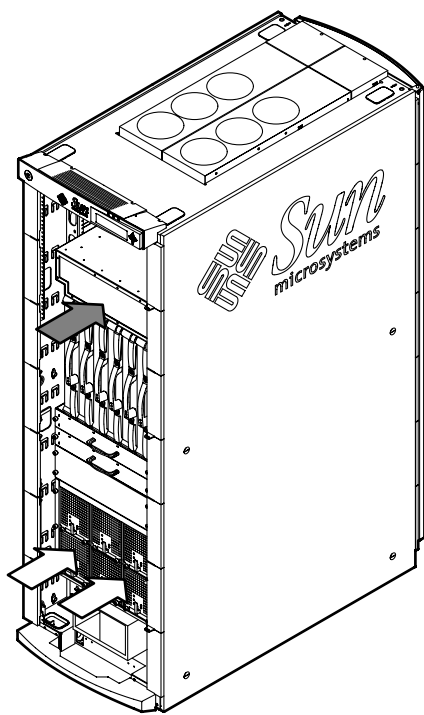
These guidelines are intended to assist those who would install the Sun Fire 6800/4810/4800/3800 systems at the end users' site. These guidelines address cooling issues only.

It is the ultimate responsibility of the end user to ensure that the environment in which these systems are mounted meet the following:

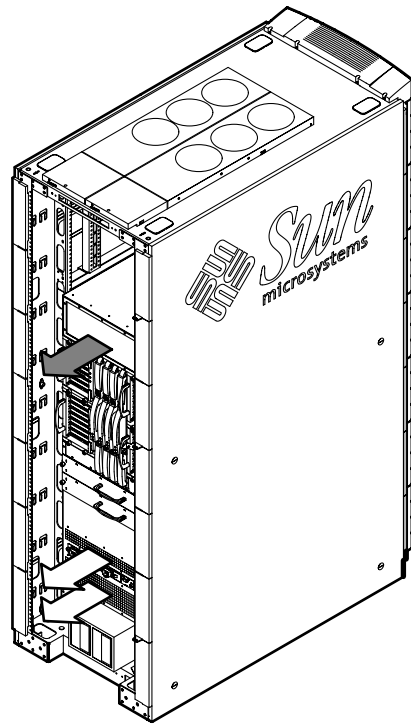
- All systems specifications
- Safety requirements specifications

3.4.1 Conditions

- Any systems mounted in a rack with Sun systems must have front to back cooling (no side to side).
- The front of the cabinet should not be facing, nor be in the path of the exhaust air from any other systems or cabinets.
- It is recommended that the cabinet allow 0.188 cubic meters per second (600 cubic feet per minute) of exhaust air out of the cabinet by way of the exhaust fans located at the top of the cabinet.
- The cabinet must allow for airflow to enter from the front and exhaust to the rear. Do not use a closed cabinet that prevents airflow into the front and out of the rear of the enclosure.
- A cabinet front filler panels must be attached so that no gaps appear between panels and between the panel and the system. If the panels cannot completely fill in the area above the system, make sure the gap appears at the top of the cabinet, away from the system. Cabinet front panels prevent hot air that is expelled from the rear of the cabinet from reentering the system from the front.
- Multiple systems in the same cabinet must be mounted as close together as possible without air gaps in between to avoid exhaust air recirculating back into the front air intake.
- All systems must be mounted in the lowest possible locations within the rack to prevent the cabinet from tipping over.



6800 - front view



6800 - rear view



System air inlet



System air exhaust

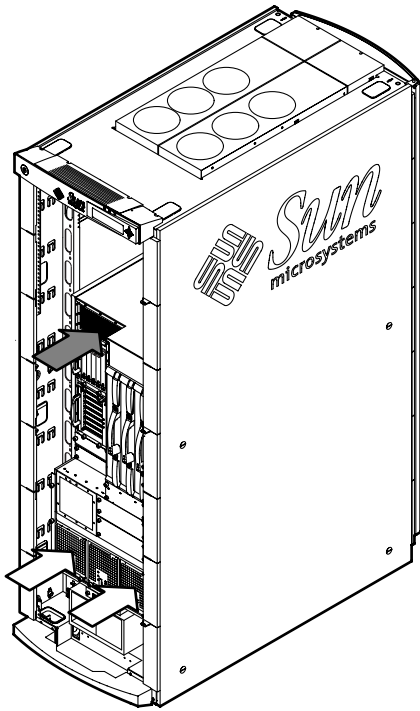


Power supply air inlet


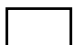


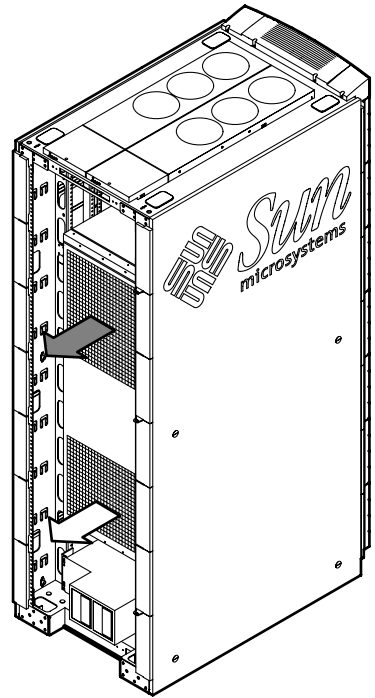
Power supply air exhaust

FIGURE 3-5 Sun Fire 6800 System Air Flow—Front and Rear



4810 - front view

-  System air inlet
-  Power supply air inlet



4810 - rear view


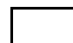
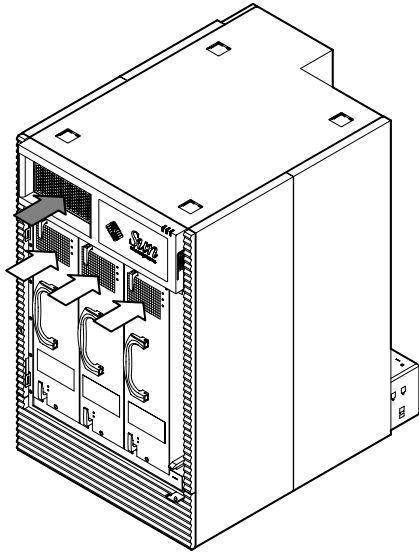
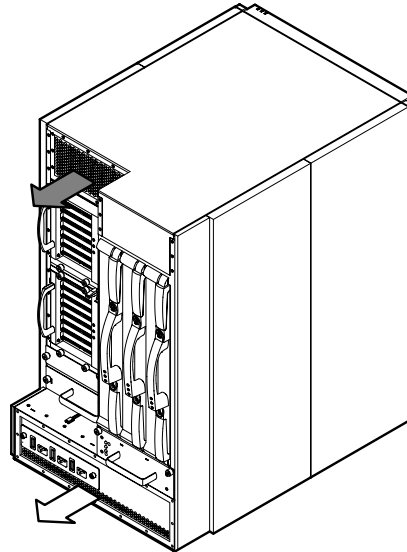
-  System air exhaust
-  Power supply air exhaust

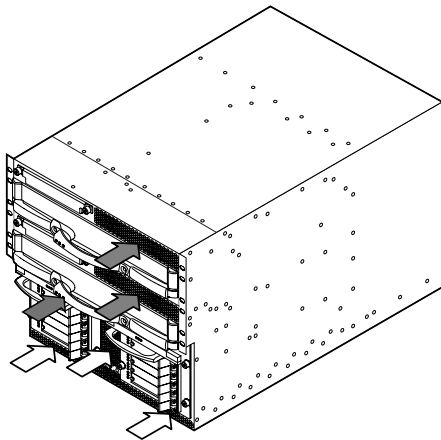
FIGURE 3-6 Sun Fire 4810 System Air Flow—Front and Rear



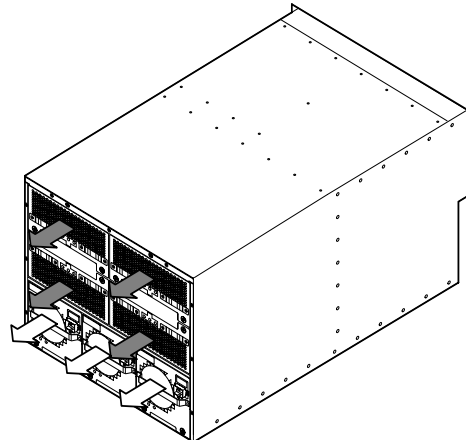
4800 - front view





4800 - rear view



3800- front view



3800 - rear view

-  System air inlet
-  Power supply air inlet



-  System air exhaust
-  Power supply air exhaust

FIGURE 3-7 Sun Fire 4800 and 3800 Systems Air Flow—Front and Rear