

---

## Parts List

- Front screen door
- EMI panel
- Hinges (2)
- Hinge pins (2)
- Latch bar
- Screws, 10-32 x 0.5-inch (1.2 cm), quantity 10
- Screws, 6-32 x 0.5-inch (1.2 cm), quantity 2

## Preparation

1. Pull off the top front panel and set it aside.



**Caution** – Do not pull one side more than two inches (five cm) farther than the other side. Doing so may twist and break the panel.

2. Open the front door fully, then lift the door off the hinges and set it aside.

Note that the left support column has two sets of screw holes, size 10-32. On the front of the column, every tenth hole is marked with a number. The second set of holes is on the left side of the same column.

---

## Installing the EMI Panel

If there are any storage devices in the upper bay, go to “Installing the Door.” (The EMI panel is not needed when the bay is occupied by one or more devices.)

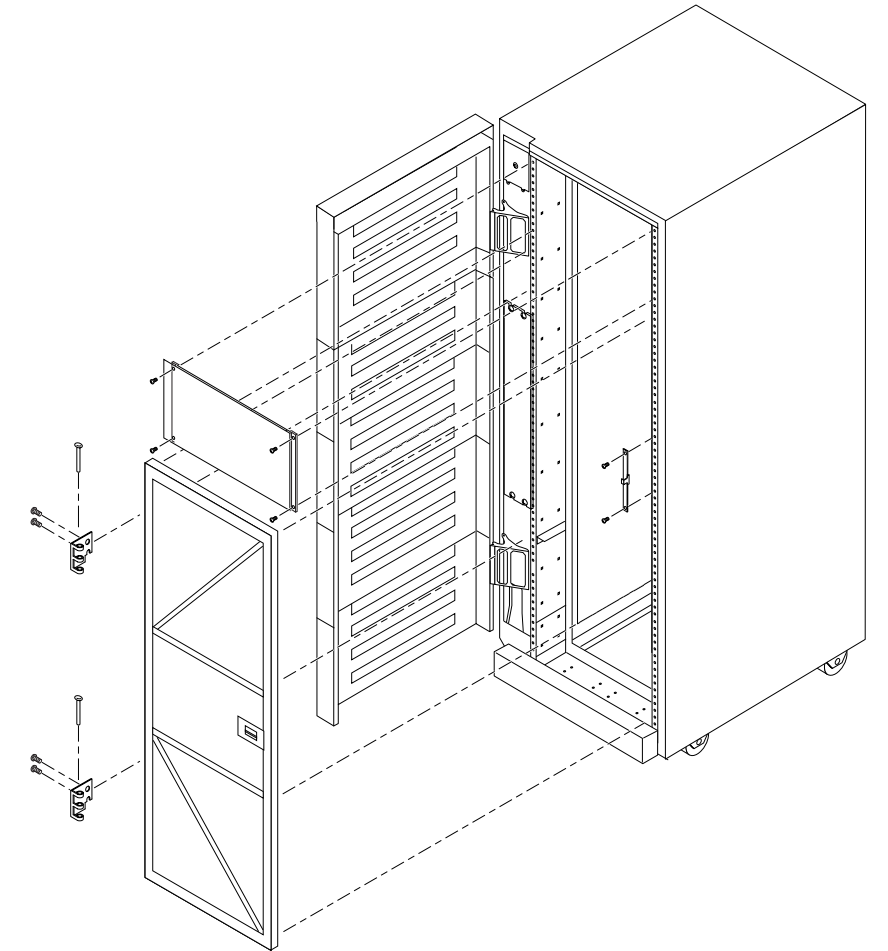
If the upper bay contains no storage devices, install the EMI panel as follows:

1. Partially install one 10-32 screw in the right support column at hole location 104 and another 10-32 screw in the left support column (also in hole location 104.)
2. Hang the top panel on the two screws, using the two keyholes at the right and left sides of the panel.
3. On both sides of the panel, insert 10-32 screws in hole locations 86 and 95 (at the middle and bottom of the panel sides).
4. Tighten all screws.

## Installing the Front Screen Door

1. Use the 6-32 screws to attach the door latch to the right support column.  
The two 6-32 screw holes are approximately 3/4-inch (2 cm) to the right of the 10-32 hole locations 58-59 and 47-48.
2. Use two 10-32 screws to attach the upper hinge to the front of the support column, at hole locations 65 and 67.
3. Attach the lower hinge to the front of the support column, at hole locations 18 and 20.
4. Place the screen door on the hinges and insert the hinge pins to hold the door in place.
5. Close the screen door.
6. Install the front door and the top front panel.

This concludes the installation.



---

## Sun Documentation on the Web

The docs.sun.com web site enables you to access Sun technical documentation on the Web. You can browse the docs.sun.com archive or search for a specific book title or subject at:

<http://docs.sun.com>

## Sun Welcomes Your Comments



We are interested in improving our documentation and welcome your comments and suggestions. You can email your comments to us at:

[smcc-docs@sun.com](mailto:smcc-docs@sun.com)

Please include the part number of your document in the subject line of your email.

Copyright 1998 Sun Microsystems, Inc. All rights reserved. Use is subject to license terms. Third-party software, including font technology, is copyrighted and licensed from Sun suppliers. Sun, Sun Microsystems, the Sun Logo, SunDocs, and Solaris are trademarks or registered trademarks of Sun Microsystems, Inc. in the U.S. and other countries. **RESTRICTED RIGHTS:** Use, duplication, or disclosure by the U.S. Government is subject to restrictions of FAR 52.227-14(g)(2)(6/87) and FAR 52.227-19(6/87), or DFAR 252.227-7015(b)(6/95) and DFAR 227.7202-3(a).

Copyright 1998 Sun Microsystems, Inc. Tous droits réservés. Distribué par des licences qui en restreignent l'utilisation. Le logiciel détenu par des tiers, et qui comprend la technologie relative aux polices de caractères, est protégé par un copyright et licencié par des fournisseurs de Sun. Sun, Sun Microsystems, le logo Sun, SunDocs, et Solaris sont des marques de fabrique ou des marques déposées de Sun Microsystems, Inc. aux Etats-Unit et dans d'autres pays.

 Sun Microsystems Computer Company • 901 San Antonio Road • Palo Alto, CA 94303-4900  
USA • 650 960-1300 • Fax 650 969-9131 

Part Number: 805-5619-10  
Revision A of May 1998



---

# Sun™ Enterprise™ 6500/5500 Front Screen Door Installation Guide

