

# Sun™ Ultra™ 30 UltraSPARC™-II Module Upgrade

---



THE NETWORK IS THE COMPUTER™

**Sun Microsystems Computer Company**

A Sun Microsystems, Inc. Business  
2550 Garcia Avenue  
Mountain View, CA 94043 USA  
415 960-1300 fax 415 969-9131

Part No.: 805-2808-10  
Revision A, November 1997

Copyright 1997 Sun Microsystems, Inc. 2550 Garcia Avenue, Mountain View, California 94043-1100 U.S.A. All rights reserved.

This product or document is protected by copyright and distributed under licenses restricting its use, copying, distribution, and decompilation. No part of this product or document may be reproduced in any form by any means without prior written authorization of Sun and its licensors, if any. Third-party software, including font technology, is copyrighted and licensed from Sun suppliers.

Parts of the product may be derived from Berkeley BSD systems, licensed from the University of California. UNIX is a registered trademark in the U.S. and other countries, exclusively licensed through X/Open Company, Ltd.

Sun, Sun Microsystems, the Sun logo, AnswerBook, SunDocs, Ultra, OpenBoot, UltraSPARC, and Solaris are trademarks, registered trademarks, or service marks of Sun Microsystems, Inc. in the U.S. and other countries. All SPARC trademarks are used under license and are trademarks or registered trademarks of SPARC International, Inc. in the U.S. and other countries. Products bearing SPARC trademarks are based upon an architecture developed by Sun Microsystems, Inc.

The OPEN LOOK and Sun™ Graphical User Interface was developed by Sun Microsystems, Inc. for its users and licensees. Sun acknowledges the pioneering efforts of Xerox in researching and developing the concept of visual or graphical user interfaces for the computer industry. Sun holds a non-exclusive license from Xerox to the Xerox Graphical User Interface, which license also covers Sun's licensees who implement OPEN LOOK GUIs and otherwise comply with Sun's written license agreements.

**RESTRICTED RIGHTS:** Use, duplication, or disclosure by the U.S. Government is subject to restrictions of FAR 52.227-14(g)(2)(6/87) and FAR 52.227-19(6/87), or DFAR 252.227-7015(b)(6/95) and DFAR 227.7202-3(a).

DOCUMENTATION IS PROVIDED "AS IS" AND ALL EXPRESS OR IMPLIED CONDITIONS, REPRESENTATIONS AND WARRANTIES, INCLUDING ANY IMPLIED WARRANTY OF MERCHANTABILITY, FITNESS FOR A PARTICULAR PURPOSE OR NON-INFRINGEMENT, ARE DISCLAIMED, EXCEPT TO THE EXTENT THAT SUCH DISCLAIMERS ARE HELD TO BE LEGALLY INVALID.

Copyright 1997 Sun Microsystems, Inc., 2550 Garcia Avenue, Mountain View, Californie 94043-1100 Etatis-Unis. Tous droits réservés.

Ce produit ou document est protégé par un copyright et distribué avec des licences qui en restreignent l'utilisation, la copie, la distribution, et la décompilation. Aucune partie de ce produit ou document ne peut être reproduite sous aucune forme, par quelque moyen que ce soit, sans l'autorisation préalable et écrite de Sun et de ses bailleurs de licence, s'il y en a. Le logiciel détenu par des tiers, et qui comprend la technologie relative aux polices de caractères, est protégé par un copyright et licencié par des fournisseurs de Sun.

Des parties de ce produit pourront être dérivées des systèmes Berkeley BSD licenciés par l'Université de Californie. UNIX est une marque déposée aux Etats-Unis et dans d'autres pays et licenciée exclusivement par X/Open Company, Ltd.

Sun, Sun Microsystems, le logo Sun, AnswerBook, SunDocs, Ultra, OpenBoot, et Solaris sont des marques de fabrique ou des marques déposées, ou marques de service, de Sun Microsystems, Inc. aux Etats-Unis et dans d'autres pays. Toutes les marques SPARC sont utilisées sous licence et sont des marques de fabrique ou des marques déposées de SPARC International, Inc. aux Etats-Unis et dans d'autres pays. Les produits portant les marques SPARC sont basés sur une architecture développée par Sun Microsystems, Inc.

L'interface d'utilisation graphique OPEN LOOK et Sun™ a été développée par Sun Microsystems, Inc. pour ses utilisateurs et licenciés. Sun reconnaît les efforts de pionniers de Xerox pour la recherche et le développement du concept des interfaces d'utilisation visuelle ou graphique pour l'industrie de l'informatique. Sun détient une licence non exclusive de Xerox sur l'interface d'utilisation graphique Xerox, cette licence couvrant également les licenciés de Sun qui mettent en place l'interface d'utilisation graphique OPEN LOOK et qui en outre se conforment aux licences écrites de Sun.

CETTE PUBLICATION EST FOURNIE "EN L'ETAT" ET AUCUNE GARANTIE, EXPRESSE OU IMPLICITE, N'EST ACCORDEE, Y COMPRIS DES GARANTIES CONCERNANT LA VALEUR MARCHANDE, L'APTITUDE DE LA PUBLICATION A REpondre A UNE UTILISATION PARTICULIERE, OU LE FAIT QU'ELLE NE SOIT PAS CONTREFAISANTE DE PRODUIT DE TIERS. CE DENI DE GARANTIE NE S'APPLIQUERAIT PAS, DANS LA MESURE OU IL SERAIT TENU JURIDIQUEMENT NUL ET NON AVENU.



Please  
Recycle



Adobe PostScript

## Regulatory Compliance Statements

Your Sun product is marked to indicate its compliance class:

- Federal Communications Commission (FCC) — USA
- Department of Communications (DOC) — Canada
- Voluntary Control Council for Interference (VCCI) — Japan

Please read the appropriate section that corresponds to the marking on your Sun product before attempting to install the product.

### FCC Class A Notice

This device complies with Part 15 of the FCC Rules. Operation is subject to the following two conditions:

1. This device may not cause harmful interference.
2. This device must accept any interference received, including interference that may cause undesired operation.

**Note:** This equipment has been tested and found to comply with the limits for a Class A digital device, pursuant to Part 15 of the FCC Rules. These limits are designed to provide reasonable protection against harmful interference when the equipment is operated in a commercial environment. This equipment generates, uses and can radiate radio frequency energy and, if not installed and used in accordance with the instruction manual, may cause harmful interference to radio communications. Operation of this equipment in a residential area is likely to cause harmful interference in which case the user will be required to correct the interference at his own expense.

**Shielded Cables:** Connections between the workstation and peripherals must be made using shielded cables in order to maintain compliance with FCC radio frequency emission limits. Networking connections can be made using unshielded twisted-pair (UTP) cables.

**Modifications:** Any modifications made to this device that are not approved by Sun Microsystems, Inc. may void the authority granted to the user by the FCC to operate this equipment.

### FCC Class B Notice

This device complies with Part 15 of the FCC Rules. Operation is subject to the following two conditions:

1. This device may not cause harmful interference.
2. This device must accept any interference received, including interference that may cause undesired operation.

**Note:** This equipment has been tested and found to comply with the limits for a Class B digital device, pursuant to Part 15 of the FCC Rules. These limits are designed to provide reasonable protection against harmful interference in a residential installation. This equipment generates, uses and can radiate radio frequency energy and, if not installed and used in accordance with the instructions, may cause harmful interference to radio communications. However, there is no guarantee that interference will not occur in a particular installation. If this equipment does cause harmful interference to radio or television reception, which can be determined by turning the equipment off and on, the user is encouraged to try to correct the interference by one or more of the following measures:

- Reorient or relocate the receiving antenna.
- Increase the separation between the equipment and receiver.
- Connect the equipment into an outlet on a circuit different from that to which the receiver is connected.
- Consult the dealer or an experienced radio/television technician for help.

**Shielded Cables:** Connections between the workstation and peripherals must be made using shielded cables in order to maintain compliance with FCC radio frequency emission limits. Networking connections can be made using unshielded twisted pair (UTP) cables.

**Modifications:** Any modifications made to this device that are not approved by Sun Microsystems, Inc. may void the authority granted to the user by the FCC to operate this equipment.

## DOC Class A Notice - Avis DOC, Classe A

This Class A digital apparatus meets all requirements of the Canadian Interference-Causing Equipment Regulations.  
Cet appareil numérique de la classe A respecte toutes les exigences du Règlement sur le matériel brouilleur du Canada.

## DOC Class B Notice - Avis DOC, Classe B

This Class B digital apparatus meets all requirements of the Canadian Interference-Causing Equipment Regulations.  
Cet appareil numérique de la classe B respecte toutes les exigences du Règlement sur le matériel brouilleur du Canada.

## VCCI 基準について


### 第一種 VCCI 基準について

第一種VCCIの表示があるワークステーションおよびオプション製品は、第一種情報装置です。これらの製品には、下記の項目が該当します。

この装置は、第一種情報装置(商工業地域において使用されるべき情報装置)で商工業地域での電波障害防止を目的とした情報処理装置等電波障害自主規制協議会(VCCI)基準に適合しております。したがって、本製品を、住宅地域または住宅地域に隣接した地域でご使用になりますと、ラジオ、テレビジョン受信機等に受信障害を与えることがあります。

取り扱い説明書に従って正しくお取り扱いください。

### 第二種 VCCI 基準について

第二種VCCIの表示  があるワークステーションおよびオプション製品は、第二種情報装置です。これらの製品には、下記の項目が該当します。

この装置は、第二種情報装置(住宅地域または住宅地域に隣接した地域において使用されるべき情報装置)で住宅地域での電波障害防止を目的とした情報処理装置等電波障害自主規制協議会(VCCI)基準に適合しております。しかし、本製品を、ラジオ、テレビジョン受信機に近接してご使用になりますと、受信障害の原因となることがあります。

取り扱い説明書に従って正しくお取り扱いください。

# Contents

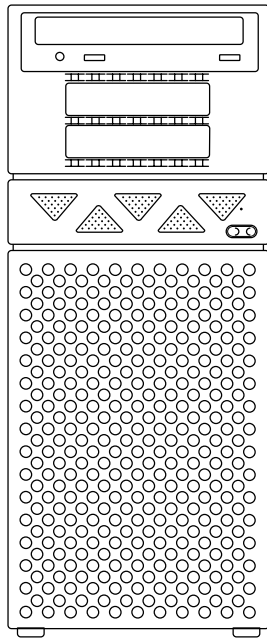
---

- 1. UltraSPARC-II Module Upgrade 1-1**
  - 1.1 UltraSPARC-II Module Upgrade Kit 1-2
  - 1.2 System Requirements 1-2
  - 1.3 SCD Compliance 1-2
  - 1.4 Opening the System Unit 1-3
    - 1.4.1 Powering Off the System 1-3
    - 1.4.2 Removing the Side Access Cover 1-5
    - 1.4.3 Attaching the Wrist Strap 1-7
  - 1.5 Installing the UltraSPARC-II Module 1-8
    - 1.5.1 Removing the Original UltraSPARC-II Module 1-8
    - 1.5.2 Installing the New UltraSPARC-II Module 1-9
  - 1.6 Completing the Installation 1-10
    - 1.6.1 Replacing the Side Access Cover 1-10
    - 1.6.2 Powering On the System 1-11
    - 1.6.3 Power-On Self-Test (POST) 1-12
    - 1.6.4 Returning the Removed Module 1-12



# UltraSPARC-II Module Upgrade

*Sun Ultra 30 UltraSPARC-II Module Upgrade* describes how to upgrade from a 248-MHz UltraSPARC™-II to a 296-MHz UltraSPARC-II in a Sun™ Ultra™ 30 system.



**FIGURE 1-1** Ultra 30 System (Front View)

---

## 1.1 UltraSPARC-II Module Upgrade Kit

Each UltraSPARC-II module upgrade kit contains:

- This book
- 296-MHz UltraSPARC-II module
- Antistatic wrist strap

---

**Note** – Retain the packing box and shipping material to use when returning the removed module.

---

---

## 1.2 System Requirements

This document assumes you are upgrading from an Ultra 30 system with one 248-MHz UltraSPARC-II module to an Ultra 30 system with one 296-MHz UltraSPARC-II module.

The Ultra 30 system must use the Solaris™ 2.5.1, Hardware: 4/97 or later system software release. All OpenBoot™ PROM versions are compatible without modification.

---

## 1.3 SCD Compliance



Sun Ultra 30 systems have been independently tested and verified to comply with revision 2.1 of the SPARC Compliance Definition (SCD) developed by SPARC International, Inc. These systems are binary compatible with all other systems and software that conform to SCD version 2.1.



---

## 1.4 Opening the System Unit

This section describes how to:

- Power off the system
- Remove the system unit cover
- Attach the wrist strap

### 1.4.1 Powering Off the System



---

**Caution** – Before turning off the system power, exit from the operating system. Failure to do so may result in data loss.

---

1. **If your system is not a standalone, notify users that the system is going down.**
2. **Back up system files and data.**
3. **Halt the system.**
4. **Set the front panel power switch to the off position (FIGURE 1-2).**
5. **Verify that the front panel LED is off and that the system fans are not spinning.**

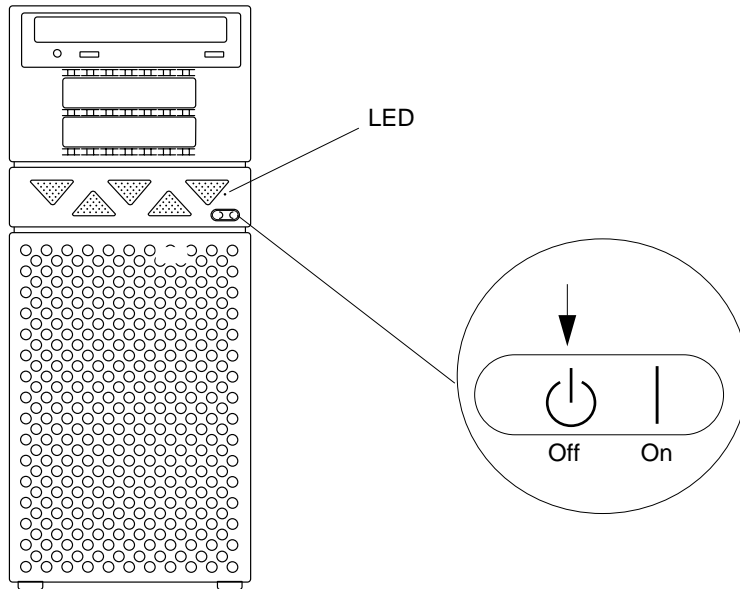


---

**Caution** – When the power switch is in the off position and the AC power cord remains connected to a power receptacle, AC voltage is present in the power supply primary circuit. Disconnect the AC power cord from the AC receptacle prior to servicing system components.

---

6. **Disconnect the AC power cord from the AC receptacle.**



**FIGURE 1-2** Front Panel Power Switch and LED

- 7. Turn off the power to the monitor.**
- 8. Disconnect the cables to any peripheral equipment.**

## 1.4.2 Removing the Side Access Cover

1. Lay the system in the service position (FIGURE 1-3).
2. Remove the lock block using a Phillips-head screwdriver (FIGURE 1-3).

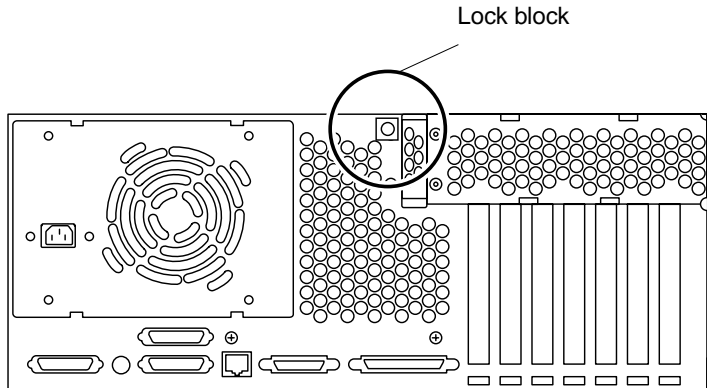
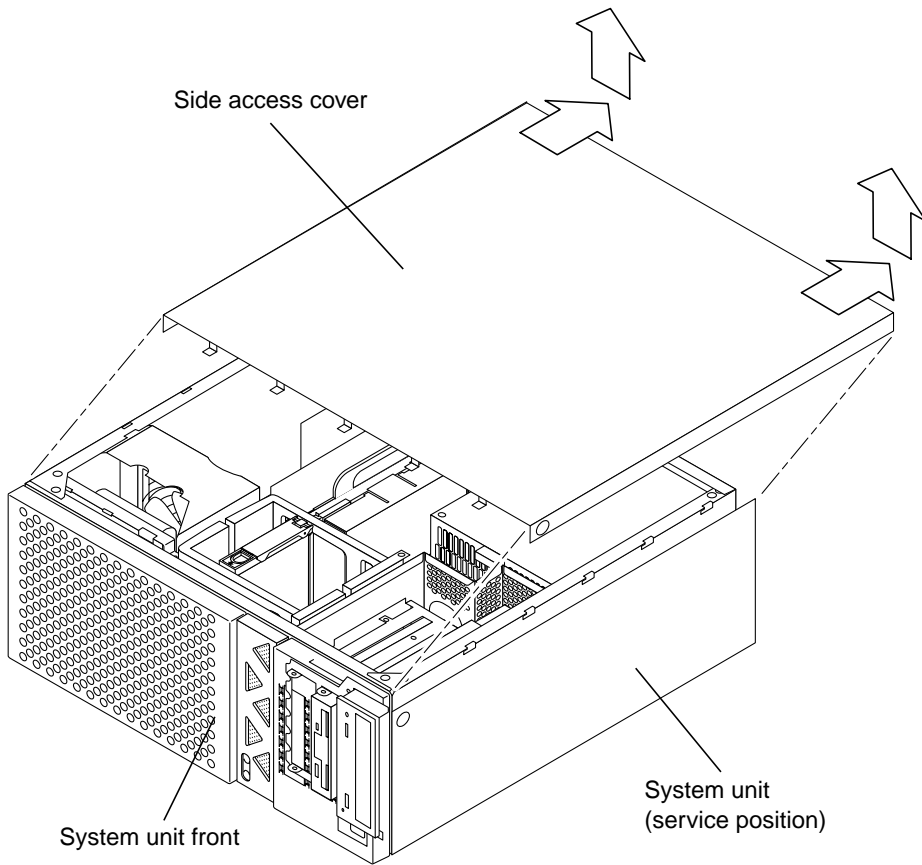


FIGURE 1-3 Lock Block Location (System in Service Position)

3. Remove the side access cover as follows (FIGURE 1-4):
  - a. Grasp the side panel and pull it toward the back of the system.
  - b. Disengage the side access cover from the chassis hooks.
  - c. Grasping the access cover sides, lift the side access cover upward and remove.



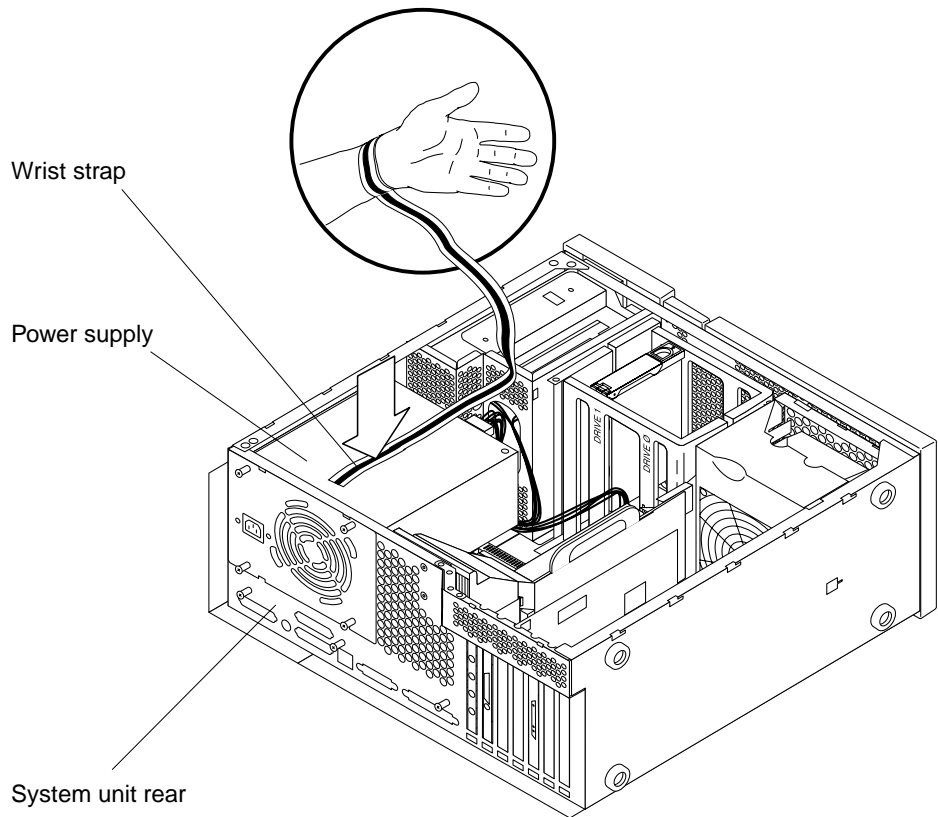
**FIGURE 1-4** Removing the Side Access Cover

## 1.4.3 Attaching the Wrist Strap



**Caution** – Wear an antistatic wrist strap and use an ESD-protected mat when handling components.

1. Unwrap the first two folds of the wrist strap; wrap the adhesive side firmly against the wrist.
2. Peel the liner from the copper foil at the opposite end of the wrist strap.
3. Attach the copper end of the wrist strap to the power supply top (FIGURE 1-5).



**FIGURE 1-5** Attaching the Wrist Strap to the Power Supply

---

## 1.5 Installing the UltraSPARC-II Module

### 1.5.1 Removing the Original UltraSPARC-II Module

1. Remove the original UltraSPARC-II module as follows (FIGURE 1-6):
  - a. Using the thumbs of both hands, simultaneously lift the two levers on the CPU module upward and to the side to approximately 135 degrees.
  - b. Lift the CPU module upward until it clears the system chassis.
2. Place the CPU module on an antistatic mat.

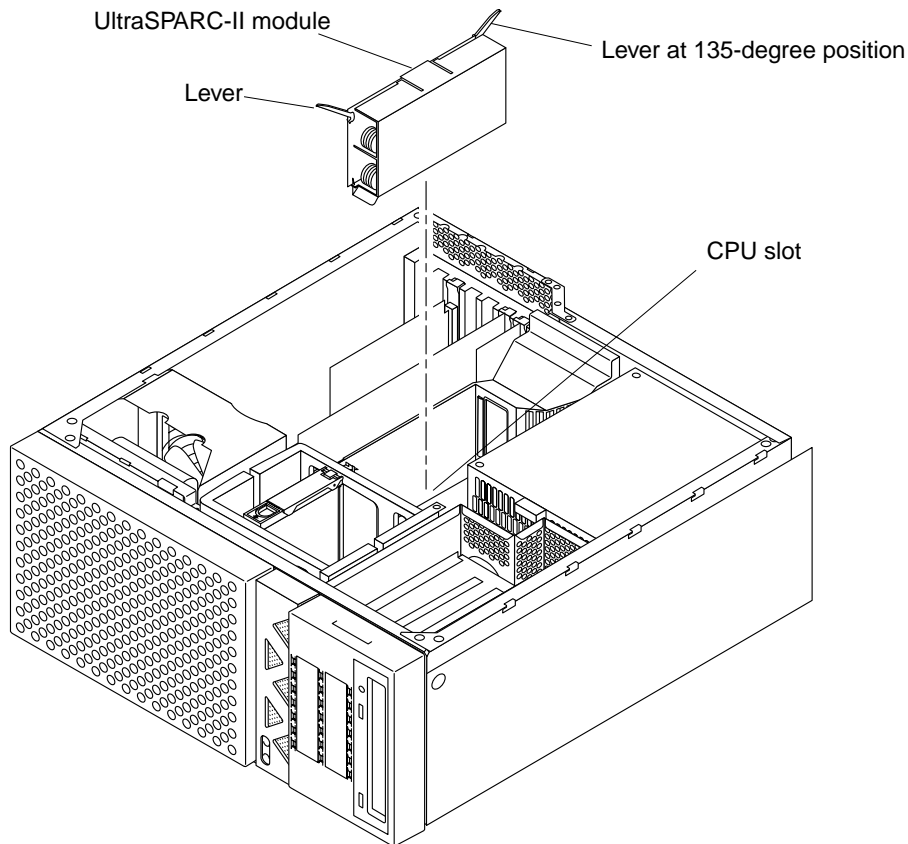


FIGURE 1-6 UltraSPARC-II Module and Slot Locations

## 1.5.2 Installing the New UltraSPARC-II Module

1. **Unpack the new UltraSPARC-II processor module.**
2. **Place the module on an antistatic surface.**
3. **On the antistatic surface, hold the module in an upright position so that the plastic surface faces you.**
4. **Move the levers on the module to an approximately 135-degree position (FIGURE 1-7).**
5. **Lower the module along the vertical plastic guides until the module touches the slot socket on the main logic board.**
6. **With both hands, simultaneously turn and press the levers downward to the fully horizontal position (FIGURE 1-7). Firmly press the module downward into the slot socket until it is fully seated and the levers are fully locked.**

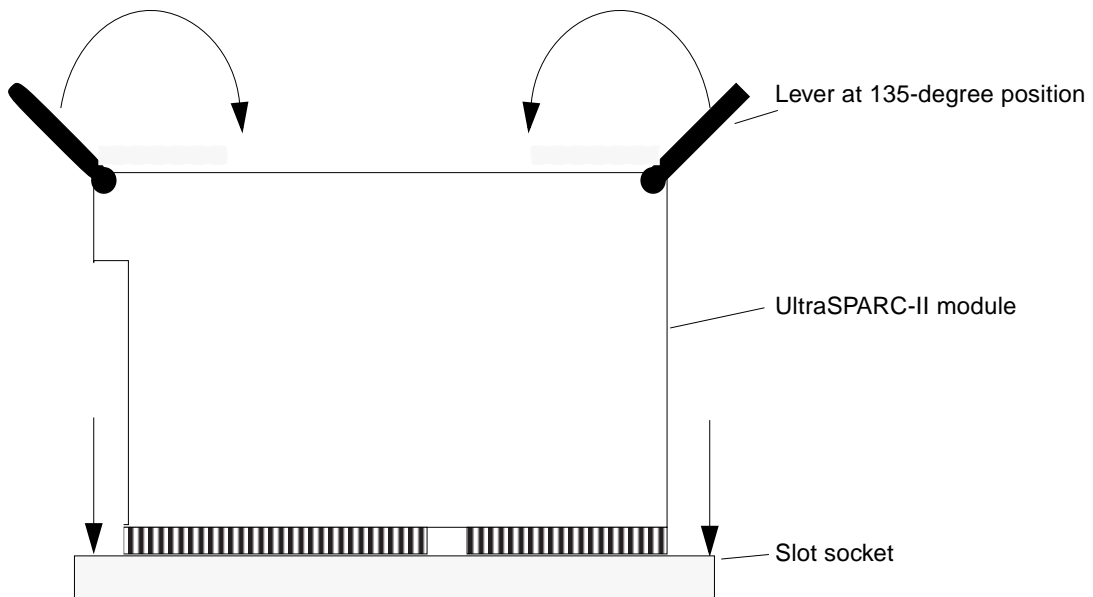


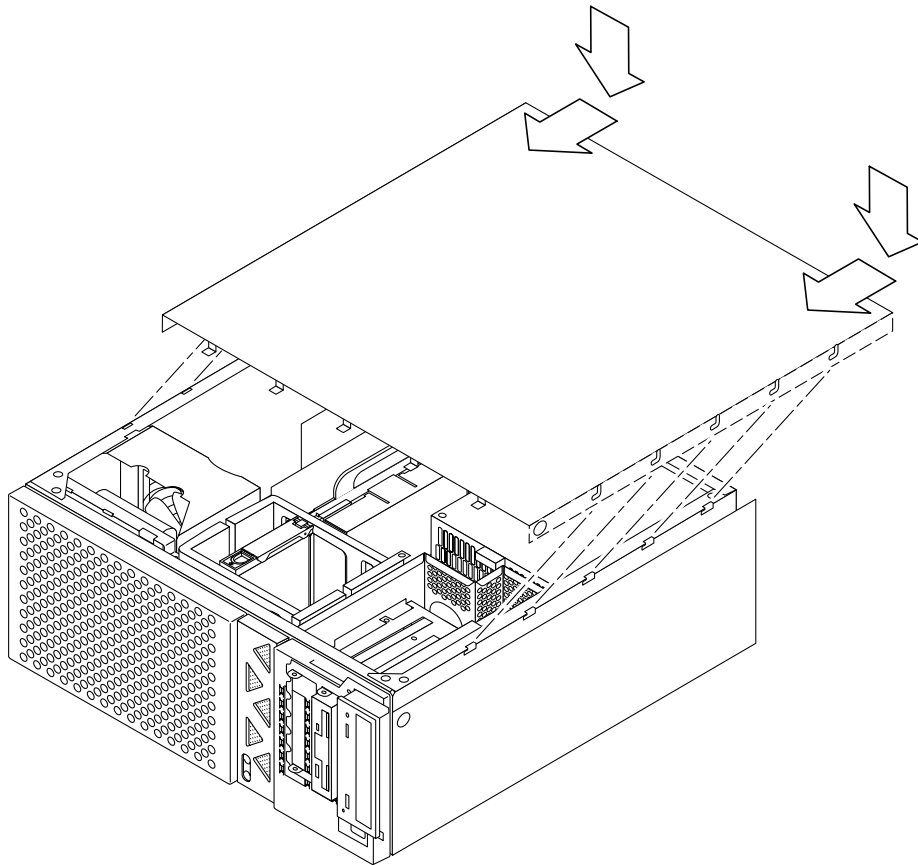
FIGURE 1-7 Locking the Module in Place

---

## 1.6 Completing the Installation

### 1.6.1 Replacing the Side Access Cover

1. Position the side access cover (FIGURE 1-8).
2. Engage the side access cover and the chassis hooks. Push the access cover toward the system unit front.



**FIGURE 1-8** Lowering the Cover onto the System Unit Back Panel



3. Replace the lock block using a Phillips-head screwdriver (FIGURE 1-9).

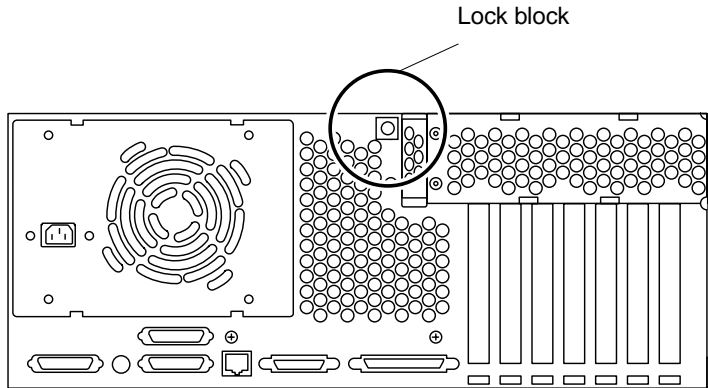


FIGURE 1-9 Lock Block Location (System in Service Position)

4. Reposition the system unit to the operating position.

## 1.6.2 Powering On the System

1. Turn on power to all connected peripherals.

---

**Note** – Peripheral power is activated prior to system power so the system can recognize the peripherals when it is activated.

---

Set the front panel power switch to the **On** position (FIGURE 1-2) or press the Sun type-5 keyboard power on key (FIGURE 1-10).

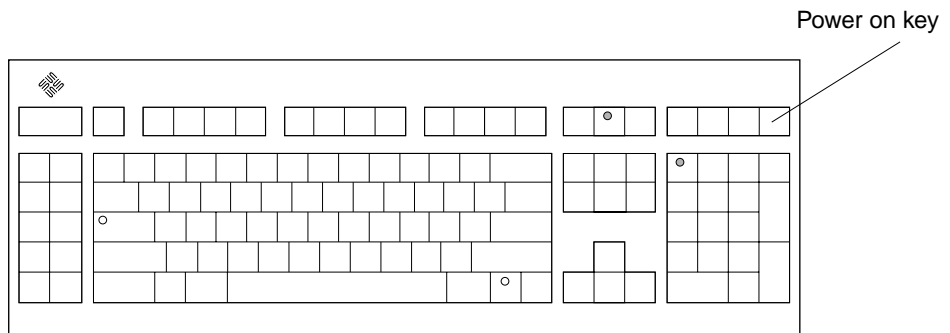


FIGURE 1-10 Sun Type-5 Keyboard

The operating system should load or the `ok` prompt should appear on the monitor.

## 1.6.3 Power-On Self-Test (POST)

For a full description of the power-on self-test (POST), refer to the *Sun Ultra 30 Service Manual*, part number 802-7719.

## 1.6.4 Returning the Removed Module

To return the removed module to Sun Microsystems, Inc., use the shipping box and packing materials for the UltraSPARC-II module and:

- 1. Place the removed module in the antistatic bag.**
- 2. Fold and tape the end of the bag.**
- 3. Place the bag and other shipping materials in the shipping box.**
- 4. Affix the RMA (Return Material Authorization) label from the upgrade kit onto the shipping carton.**
- 5. Return the shipping carton to Sun Microsystems, Inc.**