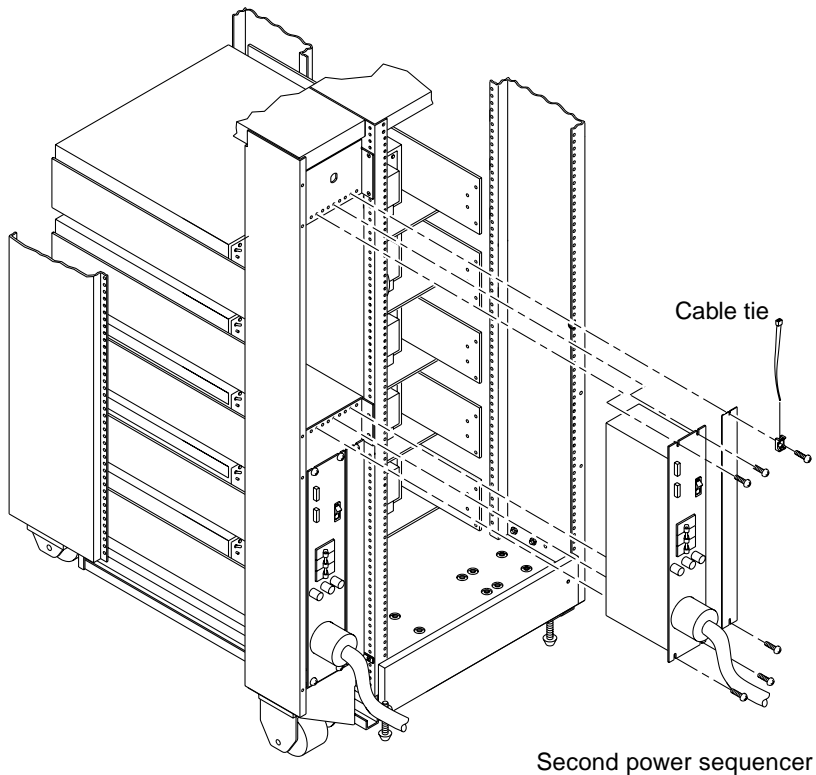

Where to Install the Second Power Sequencer

The power sequencer in the 56-Inch Data Center Expansion Cabinet (the rack) is located at the left rear of the rack. Install the second power sequencer in the space directly above the first power sequencer.



Installing the Second Power Sequencer



Warning – This unit may have up to two power controllers. To reduce the risk of electric shock, be sure to disconnect all power cords to the unit before servicing.

- 1. Remove the rear screen of the rack.**
Two screws secure it.
- 2. Remove the four screws securing the blank panel on the rear of the rack above the first power sequencer.**
- 3. Position the new power sequencer at the left of the opening.**
A catch lip on the bottom of the power sequencer fits over the bottom rim of the opening in the rack, allowing you to seat the power sequencer in the chassis.
- 4. Tilt the power sequencer so that it is flush against the chassis.**
- 5. Tighten four screws to secure the power sequencer to the chassis.**
- 6. On the inner side of each power sequencer are two 3-prong white connectors. Connect the small supplied cable to the free connector on the first power sequencer and to either of the connectors on the second power sequencer.**
You may need to remove the side panel for access.
- 7. Fit the 1u panel over the space to the right of the power sequencer and secure it with two screws.**
Be sure the caution label faces out.
- 8. Route the heavy power cable to the right and secure it with the supplied clamps.**
- 9. Connect the tray power cords to the sequencer.**
- 10. Connect the power sequencer power cord to the wall.**
- 11. Replace the back screen and turn on the power.**

Ordering Sun Documents

SunDocsSM is a distribution program for Sun Microsystems technical documentation. Easy, convenient ordering and quick delivery is available from SunExpressTM. You can find a full listing of available documentation on the World Wide Web:

<http://www.sun.com/sunexpress/>

To order or for more information:

Telephone: 1-800-873-7869 (North America only)

Fax: 1-800-944-0661 (North America only)


Reader Comments

Your comments and suggestions are important to us. Please let us know what you think about the *SPARCstorage RSM Power Sequencer Installation*, part number 802-6633-10.

You can send detailed comments via email to smcc-docs@sun.com, or send a fax to *SMCC Doc Feedback* at (415) 786-6443.

© 1996 Sun Microsystems, Inc., 2550 Garcia Avenue, Mountain View, California 94043-1100 U.S.A. All rights reserved. Sun, the Sun logo, Sun Microsystems, and Solaris are trademarks or registered trademarks of Sun Microsystems, Inc. in the United States and other countries. All SPARC trademarks, including the SCD Compliant logo, are trademarks or registered trademarks of SPARC International, Inc. in the United States and other countries. SPARCstation is licensed exclusively to Sun Microsystems, Inc. Products bearing SPARC trademark are based upon an architecture developed by Sun Microsystems, Inc.

© 1996 Sun Microsystems, Inc., 2550 Garcia Avenue, Mountain View, Californie 94043-1100 U.S.A. Tous droits réservés. Sun, le logo Sun, Sun Microsystems, et Solaris sont des marques déposées ou enregistrées par Sun Microsystems, Inc. aux Etats-Unis et dans certains d'autres pays. Toutes les marques SPARC, y compris le logo SCD Compliant, sont des marques déposées ou enregistrées de SPARC

 Recycled Paper


Adobe PostScript

Part Number: 802-6633-10
Revision A of April 1996



56-Inch Data Center Expansion Rack: Second Power Sequencer Installation

