

Ultra™ Enterprise™ Caster Base Installation Guide



THE NETWORK IS THE COMPUTER™

Sun Microsystems Computer Company

A Sun Microsystems, Inc. Business
2550 Garcia Avenue
Mountain View, CA 94043 USA
415 960-1300 fax 415 969-9131

Part No.: 802-5034-10
Revision A, September 1996

Copyright 1996 Sun Microsystems, Inc. 2550 Garcia Avenue, Mountain View, California 94043-1100 U.S.A.

All rights reserved. This product or document is protected by copyright and distributed under licenses restricting its use, copying, distribution, and decompilation. No part of this product or document may be reproduced in any form by any means without prior written authorization of Sun and its licensors, if any.

Portions of this product may be derived from the UNIX[®] system and from the Berkeley 4.3 BSD system, licensed from the University of California. UNIX is a registered trademark in the United States and in other countries and is exclusively licensed by X/Open Company Ltd. Third-party software, including font technology in this product, is protected by copyright and licensed from Sun's suppliers.

RESTRICTED RIGHTS LEGEND: Use, duplication, or disclosure by the government is subject to restrictions as set forth in subparagraph (c)(1)(ii) of the Rights in Technical Data and Computer Software clause at DFARS 252.227-7013 and FAR 52.227-19.

Sun, Sun Microsystems, the Sun logo, Solaris, Enterprise, Ultra, UltraComputing, UltraServer, UltraSPARC, SunDocs, and SunExpress are trademarks or registered trademarks of Sun Microsystems, Inc. in the United States and in other countries. All SPARC trademarks are used under license and are trademarks or registered trademarks of SPARC International, Inc. in the United States and in other countries. Products bearing SPARC trademarks are based upon an architecture developed by Sun Microsystems, Inc.

The OPEN LOOK[®] and Sun[™] Graphical User Interfaces were developed by Sun Microsystems, Inc. for its users and licensees. Sun acknowledges the pioneering efforts of Xerox Corporation in researching and developing the concept of visual or graphical user interfaces for the computer industry. Sun holds a nonexclusive license from Xerox to the Xerox Graphical User Interface, which license also covers Sun's licensees who implement OPEN LOOK GUIs and otherwise comply with Sun's written license agreements.

X Window System is a trademark of X Consortium, Inc.

THIS PUBLICATION IS PROVIDED "AS IS" WITHOUT WARRANTY OF ANY KIND, EITHER EXPRESS OR IMPLIED, INCLUDING, BUT NOT LIMITED TO, THE IMPLIED WARRANTIES OF MERCHANTABILITY, FITNESS FOR A PARTICULAR PURPOSE, OR NON-INFRINGEMENT.

Copyright 1996 Sun Microsystems, Inc., 2550 Garcia Avenue, Mountain View, Californie 94043-1100 U.S.A.

Tous droits réservés. Ce produit ou document est protégé par un copyright et distribué avec des licences qui en restreignent l'utilisation, la copie et la décompilation. Aucune partie de ce produit ou de sa documentation associée ne peut être reproduite sous aucune forme, par quelque moyen que ce soit, sans l'autorisation préalable et écrite de Sun et de ses bailleurs de licence, s'il y en a.

Des parties de ce produit pourront être dérivées du système UNIX[®] et du système Berkeley 4.3 BSD licencié par l'Université de Californie. UNIX est une marque enregistrée aux Etats-Unis et dans d'autres pays, et licenciée exclusivement par X/Open Company Ltd. Le logiciel détenu par des tiers, et qui comprend la technologie relative aux polices de caractères, est protégé par un copyright et licencié par des fournisseurs de Sun.

Sun, Sun Microsystems, le logo Sun, Solaris, Enterprise, Ultra, UltraComputing, UltraServer, UltraSPARC, SunDocs, et SunExpress sont des marques déposées ou enregistrées de Sun Microsystems, Inc. aux Etats-Unis et dans d'autres pays. Toutes les marques SPARC, utilisées sous licence, sont des marques déposées ou enregistrées de SPARC International, Inc. aux Etats-Unis et dans d'autres pays. Les produits portant les marques SPARC sont basés sur une architecture développée par Sun Microsystems, Inc.

Les utilisateurs d'interfaces graphiques OPEN LOOK[®] et Sun[™] ont été développés de Sun Microsystems, Inc. pour ses utilisateurs et licenciés. Sun reconnaît les efforts de pionniers de Xerox Corporation pour la recherche et le développement du concept des interfaces d'utilisation visuelle ou graphique pour l'industrie de l'informatique. Sun détient une licence non exclusive de Xerox sur l'interface d'utilisation graphique, cette licence couvrant aussi les licenciés de Sun qui mettent en place les utilisateurs d'interfaces graphiques OPEN LOOK et qui en outre se conforment aux licences écrites de Sun.

Le système X Window est un produit du X Consortium, Inc.

CETTE PUBLICATION EST FOURNIE "EN L'ETAT" SANS GARANTIE D'AUCUNE SORTE, NI EXPRESSE NI IMPLICITE, Y COMPRIS, ET SANS QUE CETTE LISTE NE SOIT LIMITATIVE, DES GARANTIES CONCERNANT LA VALEUR MARCHANDE, L'APTITUDE DES PRODUITS A REPENDRE A UNE UTILISATION PARTICULIERE OU LE FAIT QU'ILS NE SOIENT PAS CONTREFAISANTS DE PRODUITS DE TIERS.



Contents

Preface.....	vii
Caster Base Installation.....	1
Tools Required	1
Unpacking the Caster Base.....	2
Placing the Caster Base	2
Deciding on the Configuration.....	2
Assembling the Caster Base	5
Stacking the Chassis	5
Cabling the Chassis.....	11
Powering On and Off	12

Figures

Figure 1	Caster Base with Enterprise 4000 System and SPARCstorage Array (Rear View)	3
Figure 2	Caster Base with Enterprise 4000 System, SPARCstorage Array, and SPARCstorage Library (Rear View)	4
Figure 3	Installing First Locking Module (Rear View)	6
Figure 4	Removing Chassis Cover Plugs	7
Figure 5	Installing the Left Shroud	8
Figure 6	Installing First Chassis and Second Locking Module	10
Figure 7	Completed Caster Base (Rear View)	11
Figure 8	Completed Caster Base (Front View)	12

Preface

This guide provides configuration and installation instructions for one, two, or three chassis (the Ultra™ Enterprise™ 4000 and the SPARCstorage™ Array or the SPARCstorage Library) on the caster base unit.

These instructions include safety precautions that should be followed.

Safety Precautions

For your protection, observe the following safety precautions when setting up your equipment:

- Follow all warnings and instructions marked on the equipment.
- Ensure that the voltage and frequency rating of the power outlet(s) you will use match the electrical rating label on the equipment.
- Use only properly grounded power outlets.
- Never push objects of any kind through openings in the equipment as they may touch dangerous voltage points or short out components that could result in a risk of fire or electric shock.
- Refer servicing of equipment to qualified personnel.

Symbols

The following symbols mean:



WARNING

Hazardous voltages are present. To reduce the risk of electrical shock and danger to personal health, follow the instructions.



WARNING

Risk of personal injury. To reduce the risk, follow the instructions.



CAUTION

Risk of equipment damage. To reduce the risk, follow the instructions.



SURFACE

CAUTION: Hot surfaces. Avoid contact. Surfaces are hot and may cause personal injury if touched.



AC

A terminal to which alternating current or voltage may be applied.

Notes, Cautions, and Warnings



Caution – Improper handling by unqualified personnel can cause serious damage to this equipment. Unqualified personnel who tamper with this equipment may be held liable for any resultant damage to the equipment.

Individuals who remove any outer panels or open covers to access this equipment must observe all safety precautions and ensure compliance with skill level requirements, certification, and all applicable local and national laws.

Procedures contained in this document must be performed by qualified service-trained maintenance providers.

Note – Before you begin, carefully read the entire installation procedure. If you have not performed similar operations on comparable equipment, *do not attempt* to perform this procedure.

Related Documents

The following documents contain topics that relate to the information in the *Ultra Enterprise Caster Base Installation Guide*.

Application	Title	Part Number
Ultra Enterprise Server	<i>Ultra Enterprise Server 6000/5000/4000 Binder Set</i>	825-3222
Installation	<i>Ultra Enterprise 6000/5000/4000 Systems Installation Guide</i>	802-3844
Service	<i>Ultra Enterprise 6000/5000/4000 Systems Manual</i>	802-3845
SPARCstorage Array 100 Series	<i>SPARCstorage Array 100 Installation and Service Set</i>	825-2513
	<i>SPARCstorage Array Model 100 Series Installation Manual</i>	801-2205
	<i>SPARCstorage Array Model 100 Series Service Manual</i>	801-2206
	<i>SPARCstorage Array Regulatory Compliance Manual</i>	801-7103
SPARCstorage Library	<i>SPARCstorage Library Installation and User's Guide</i>	802-2145
	<i>SPARCstorage Library Service Manual</i>	802-2143
Software	<i>SMCC SPARC Hardware Platform Guide</i>	802-5341
	<i>Solstice SyMON User's Guide</i>	802-5355
Options	<i>Ultra Enterprise Board Installation Guide</i>	802-5030
	<i>Ultra Enterprise CPU Installation Guide</i>	802-5031
	<i>Ultra Enterprise SIMM Installation Guide</i>	802-5032
	<i>Ultra Enterprise Peripheral Power Supply Installation Guide</i>	802-5033
	<i>Ultra Enterprise PCM Installation Guide</i>	802-6244

Ordering Sun Documents

SunDocsSM is a distribution program for Sun Microsystems technical documentation. Easy, convenient ordering and quick delivery is available from SunExpressTM. You can find a full listing of available documentation on the World Wide Web: <http://www.sun.com/sunexpress/>.

Country	Telephone	Fax
United States	1-800-873-7869	1-800-944-0661
United Kingdom	0-800-89-88-88	0-800-89-88-87
France	05-90-61-57	05-90-61-58
Belgium	02-720-09-09	02-725-88-50
Luxembourg	32-2-720-09-09	32-2-725-88-50
Germany	01-30-81-61-91	01-30-81-61-92
The Netherlands	06-022-34-45	06-022-34-46
Sweden	020-79-57-26	020-79-57-27
Switzerland	155-19-26	155-19-27
Japan	0120-33-9096	0120-33-9097

Sun Welcomes Your Comments

Please use the *Reader Comment Card* that accompanies this document. We are interested in improving our documentation and welcome your comments and suggestions.

If a card is not available, you can email or fax your comments to us. Please include the part number of your document in the subject line of your email or fax message.

- Email: smcc-docs@sun.com
- Fax: SMCC Document Feedback
1-415-786-6443

Caster Base Installation



This guide describes how to install and configure a stack of one, two, or three chassis (Ultra Enterprise 4000 system and expansion enclosures) on the caster base. You should read these instructions completely before assembling the stack. The installation consists of:

- Deciding on a configuration (determine chassis stacking and cabling order)
- Assembling the host system and expansion chassis into a stack

Note – The following restrictions apply to all configurations:

- Do not stack more than three chassis.
 - Only one Enterprise 4000 system is supported per stack.
 - The Enterprise 4000 system must be at the bottom of the stack.
 - If present, the SPARCstorage Library must be at the top of the stack.
-

The caster base contains the following:

- 1 caster base, 540-2956
- 1 locking module, 540-2958
- 4 M6 x 14 mm screws, 240-2083
- 1 right shroud, 340-3578
- 1 left shroud, 340-3579
- 4 M4 x 6 mm screws, 240-1559

These part numbers are for inventory of items received.

Note – Order one additional locking module for each expansion enclosure.

Tools Required

- #2 Phillips screwdriver
- Flatblade screwdriver



Unpacking the Caster Base



Warning – This installation requires two people to lift a chassis and move the caster base. Use care to avoid injury. A chassis may weigh up to 150 pounds. A completed stack of three chassis may weigh up to 400 pounds.

After you have unpacked the caster base, place the equipment in the location where the stack will be installed. Then proceed as directed in the sections that follow.

Placing the Caster Base

There are several requirements for the placement of the caster base:

- The caster base must be placed on a level surface.
- Openings in the equipment must not be blocked or covered.
- Do not place the caster base near a radiator or heat-register.

Refer to the installation manuals shipped with the Enterprise 4000 system and expansion chassis for information on clearance requirements.

Deciding on the Configuration

Prior to assembly, decide what the caster base configuration should be. This will determine the chassis stacking order as well as chassis cabling to the power outlet.

Note – Supported configurations include an Enterprise 4000 system and one or two additional expansion enclosures. An expansion enclosure can be either a SPARCstorage Array or a SPARCstorage Library.

Restrictions

The following restrictions apply to all configurations:

- Do not stack more than three chassis.
- Only one Enterprise 4000 system is supported per stack.
- The Enterprise 4000 system must be placed at the bottom of the stack.
- If present, the SPARCstorage Library must be placed at the top of the stack.

Your completed caster base assembly and stack should resemble the illustration in either Figure 1 or Figure 2:

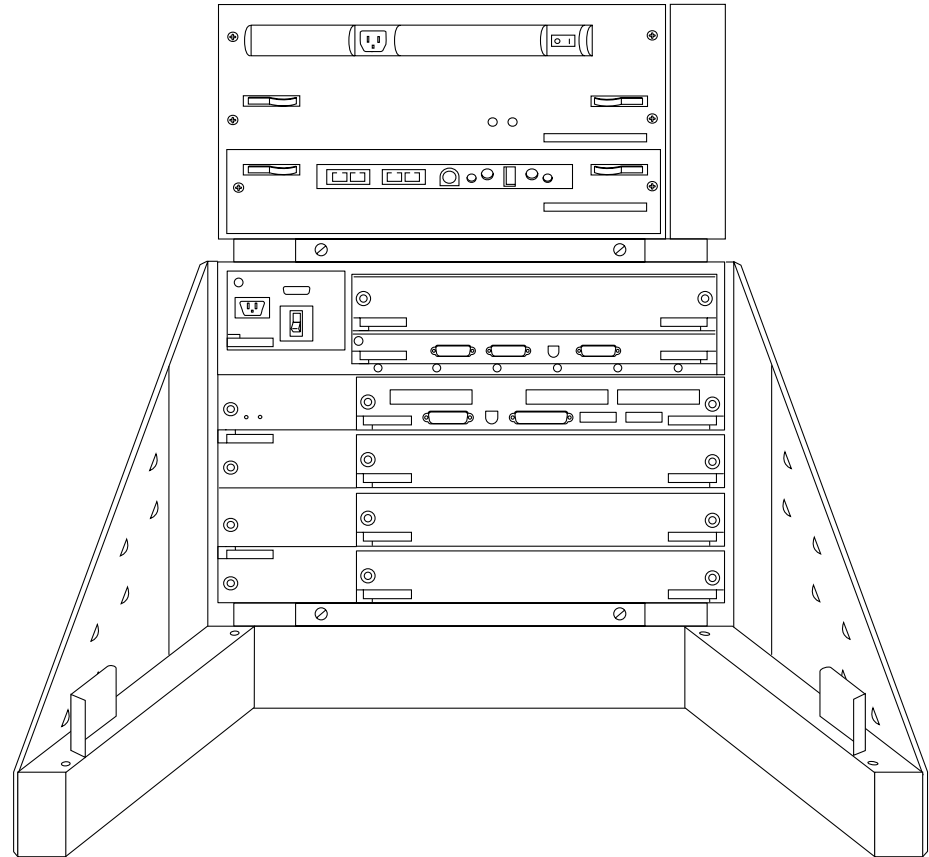


Figure 1 Caster Base with Enterprise 4000 System and SPARCstorage Array (Rear View)

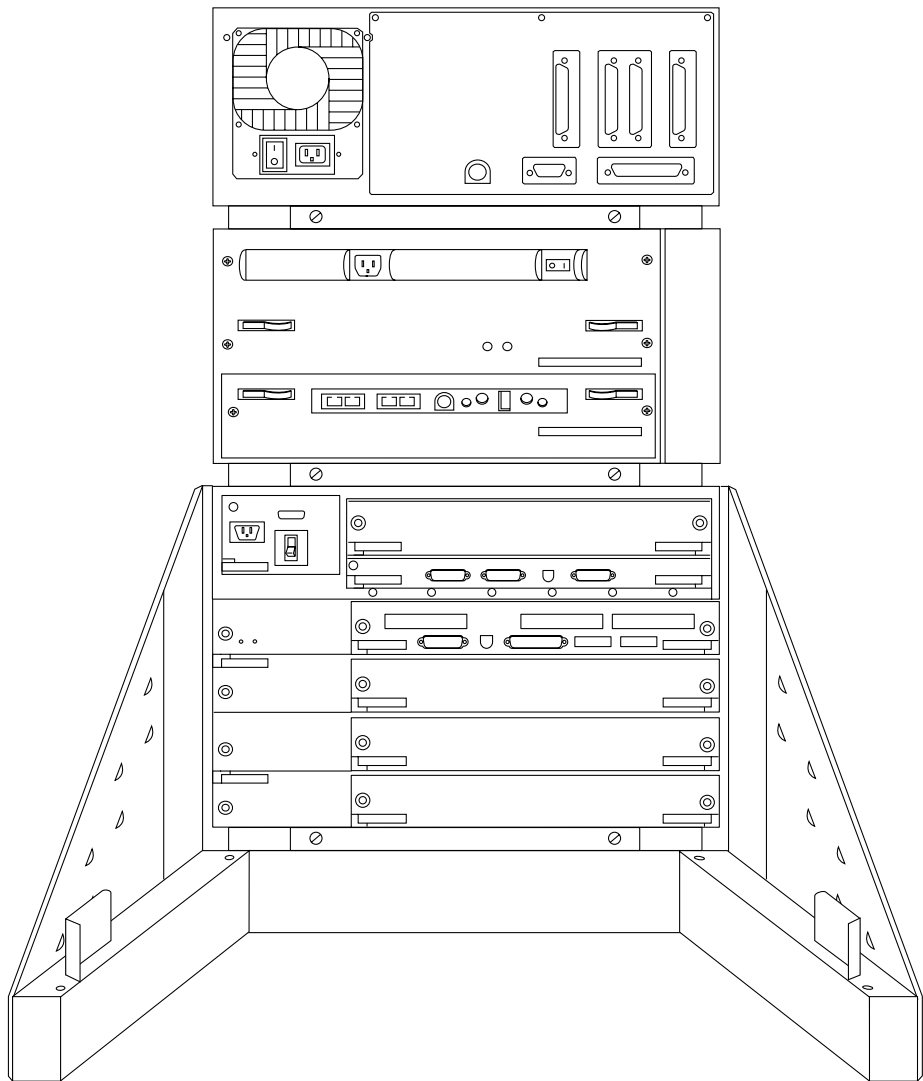


Figure 2 Caster Base with Enterprise 4000 System,
SPARCstorage Array, and SPARCstorage Library (Rear View)

Assembling the Caster Base

Assembly of the caster base is detailed in “Stacking the Chassis” and “Cabling the Chassis.”

Stacking the Chassis

If you have not done so already, determine your stacking order as explained in the section “Deciding on the Configuration.” This will determine the order in which the chassis are physically stacked and cabled.

Once the chassis stacking order is determined:

- 1. Power off and remove the cables from each chassis that is to be used in the stack.**
Instructions are provided in the installation manuals shipped with the Enterprise 4000 system and expansion chassis.
- 2. Immobilize the caster base by locking the two front casters.**
Use a flat blade screwdriver to tighten each front caster locking screw.
- 3. Unpack the locking modules and place one locking module on top of the caster base (Figure 3).**
Ensure that the rear captive screws on the locking module are positioned facing the rear of the caster base.
- 4. Install and tighten four M6 Phillips screws in the locking module foot recesses (Figure 3).**
- 5. Loosen the two rear captive screws from the metal rear panel assembly on the locking module (Figure 3).**
- 6. Pull the locking module metal plate toward you until it is fully extended to the end of its track (Figure 3).**
The locking module rear captive screws can be used as handles.

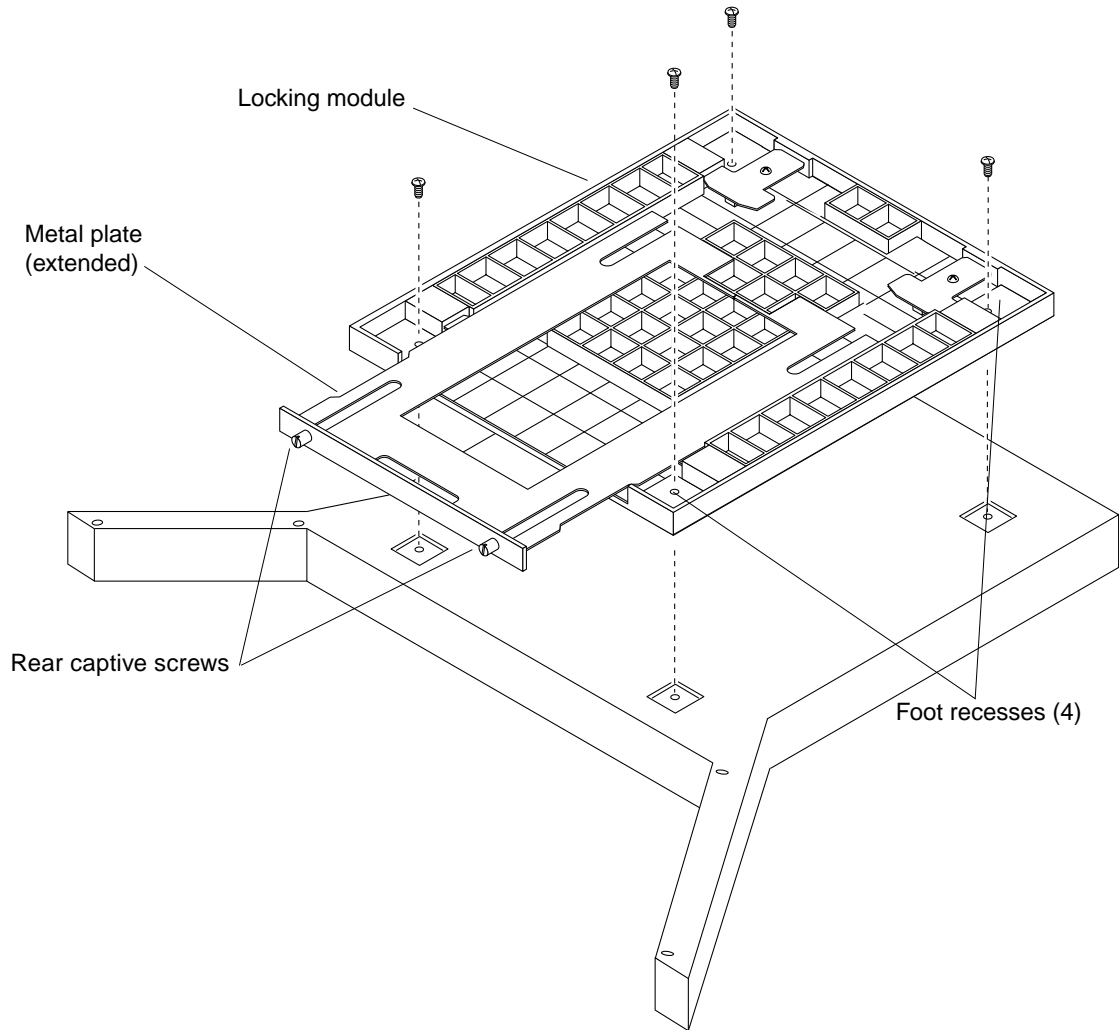


Figure 3 Installing First Locking Module (Rear View)

7. Remove the four cover plugs from the top of the first chassis to be stacked by pressing down on each plug as shown in Figure 4.

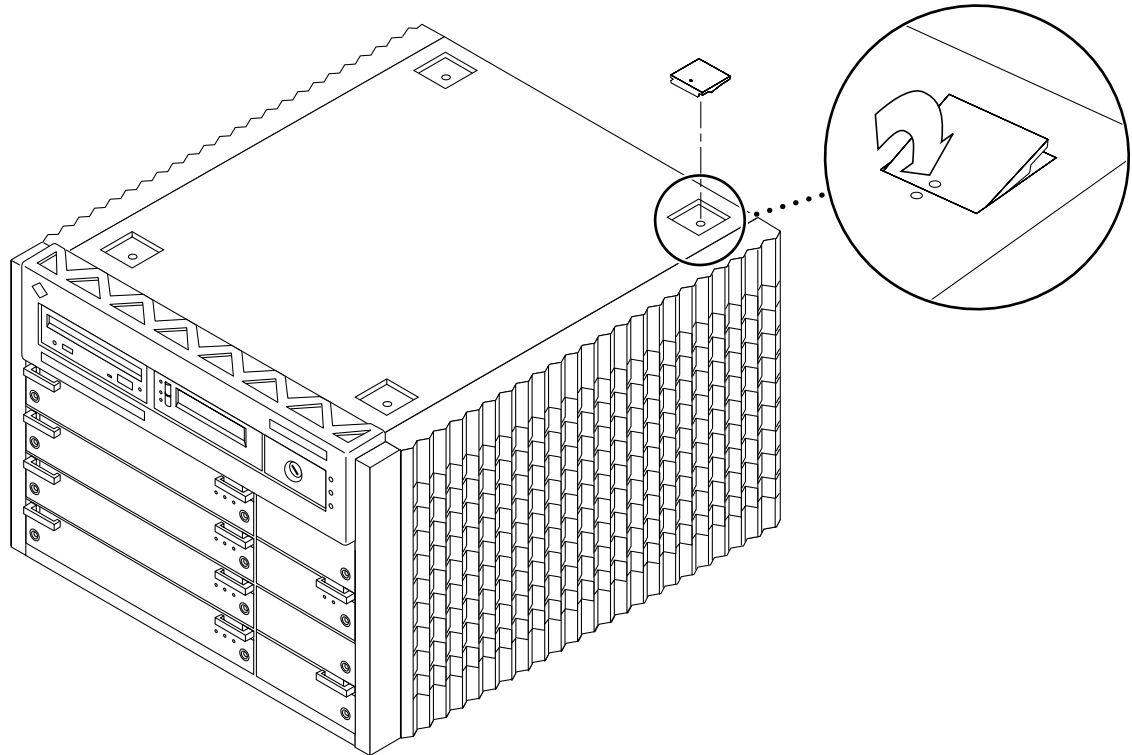


Figure 4 Removing Chassis Cover Plugs



Warning – Use caution when placing the chassis to avoid trapping your fingers between the chassis bottom and the lock module.

8. Ensure that the rear of the chassis is facing the rear of the caster base as shown in Figure 5, and then carefully place the first chassis onto the locking module.
The chassis feet should be securely seated in the locking module foot recesses.

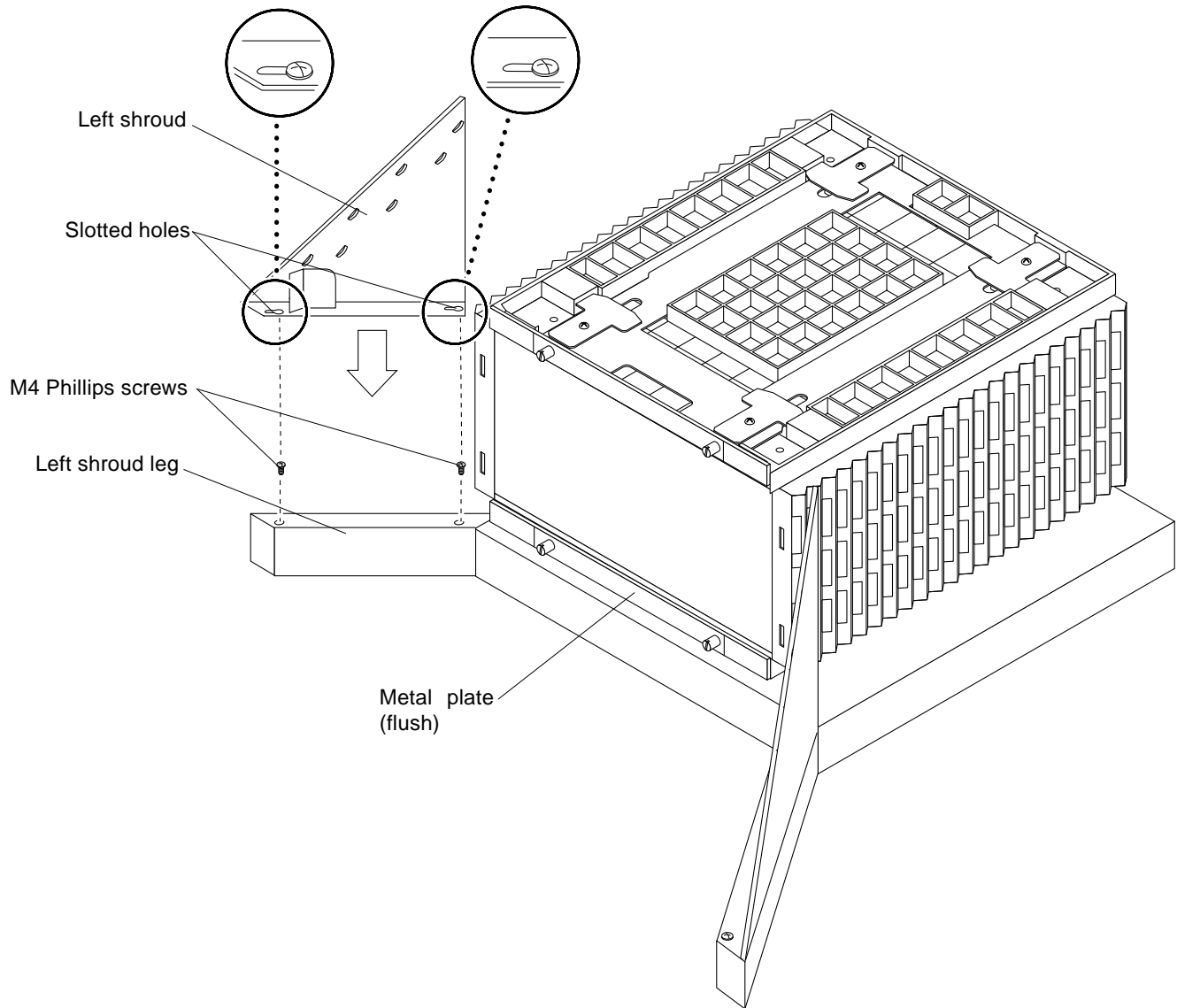


Figure 5 Installing the Left Shroud

Note – The feet on the Enterprise 4000 system and expansion chassis are grooved to accommodate the locking module metal plate when it is returned to its fully retracted position.

- 9. Push the locking module metal plate in until it is flush with the rear face of the lock module.**
- 10. Tighten the two locking module rear captive screws on the metal rear panel assembly.**
- 11. Loosely thread M4 Phillips screws into the two holes on each shroud leg (Figure 5).**
- 12. Lower the left shroud onto the left shroud leg. Slip the slotted holes in the bottom of the left shroud over the M4 Phillips screw heads installed in Step 11 (Figure 5).**
- 13. Slide the left shroud toward the chassis until the shroud is tight against the chassis.**
- 14. Tighten the two M4 Phillips screws to secure the left shroud.**
- 15. Repeat Step 12 to Step 14 for the right shroud.**
- 16. If you are adding an expansion device, place the optional second locking module on top of the first chassis you just installed (with cover plugs removed).**
Make sure it is positioned with the rear of the chassis facing the shrouds as in Figure 6.

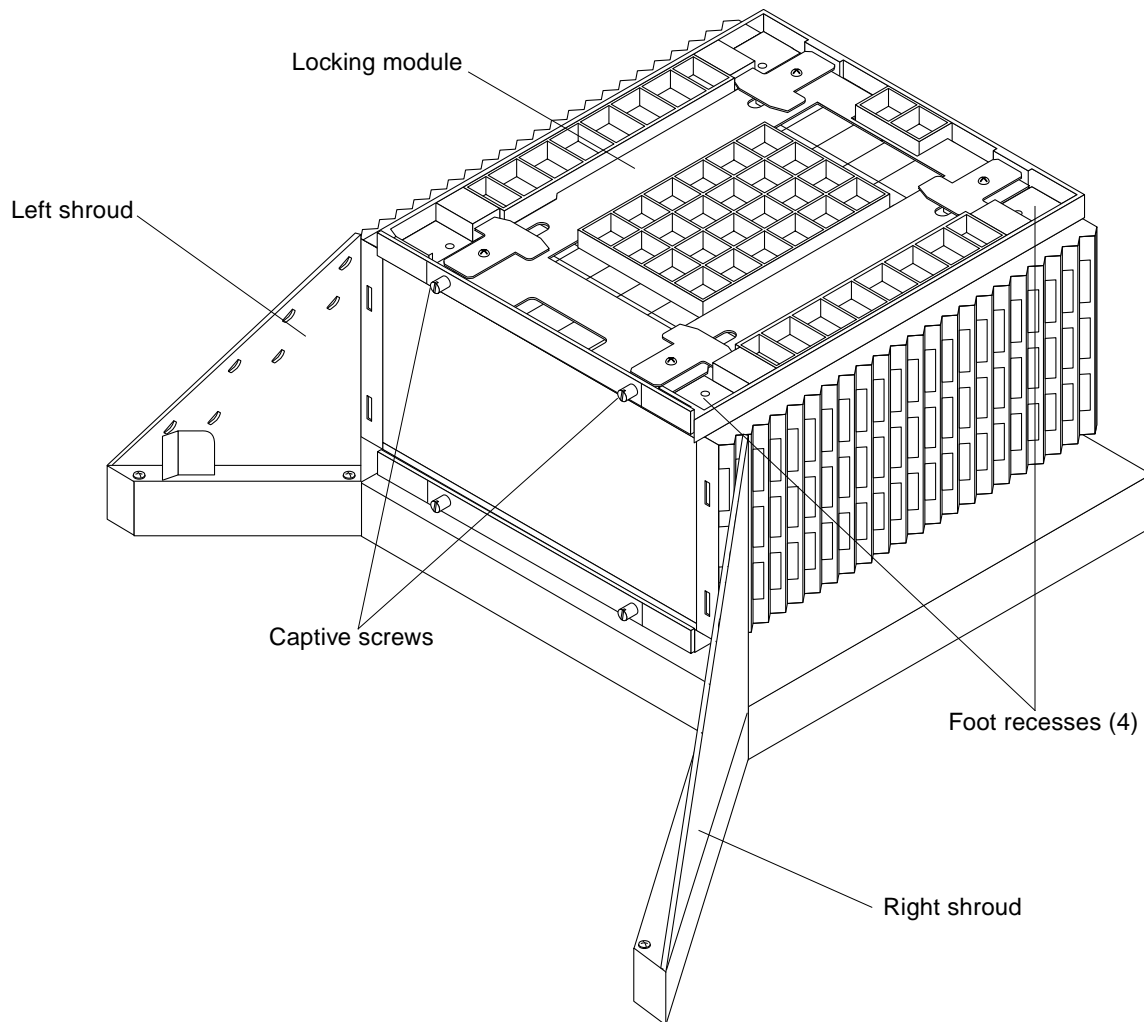


Figure 6 Installing First Chassis and Second Locking Module

17. Repeat Step 4 through Step 10 to install the additional locking module and chassis.

Cabling the Chassis

- ◆ **For all caster base configurations, route the cables through the shrouds so that all cables cascade down the side of the stack (Figure 7).**
Use tie wraps to bundle the cables. Wrap excess cabling for the bottom chassis around the shrouds if necessary. This completes the installation.

Your fully assembled unit should resemble the stack in Figure 7 and Figure 8.

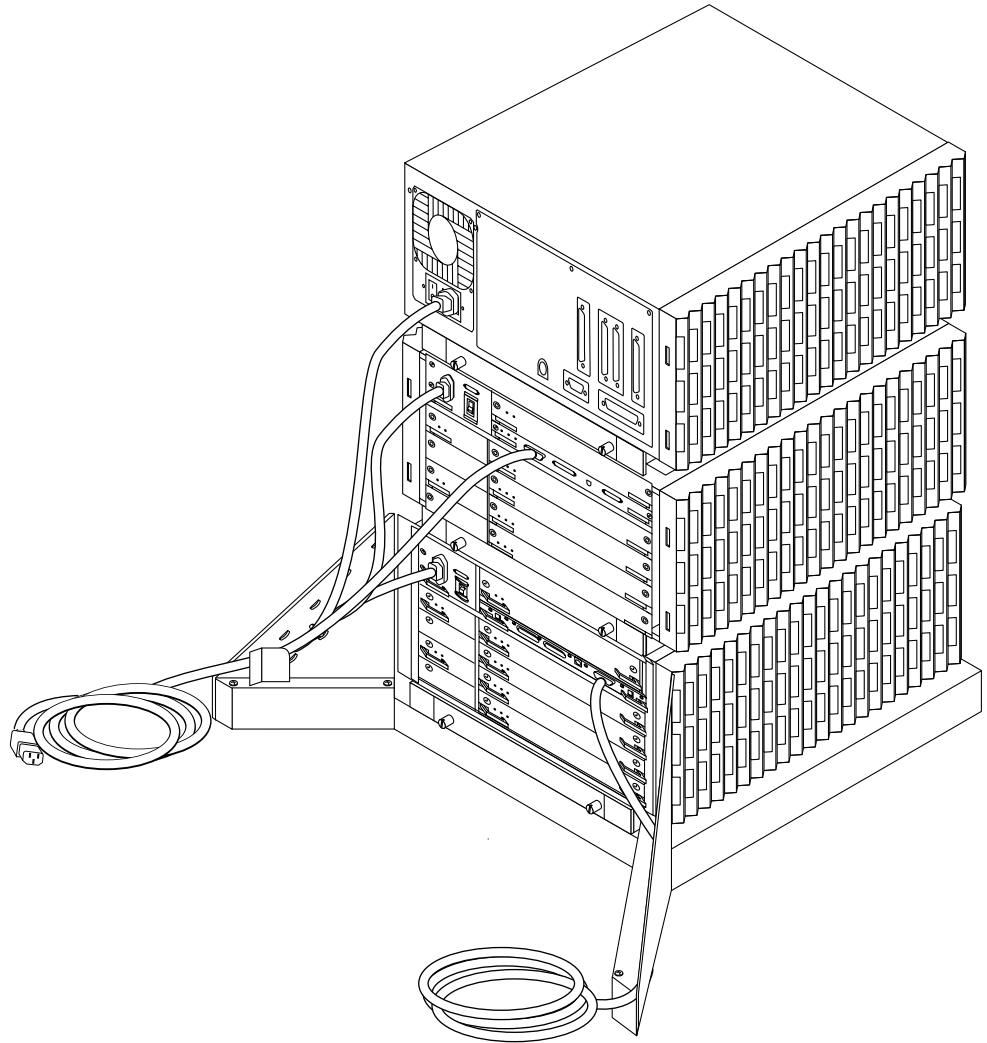


Figure 7 Completed Caster Base (Rear View)

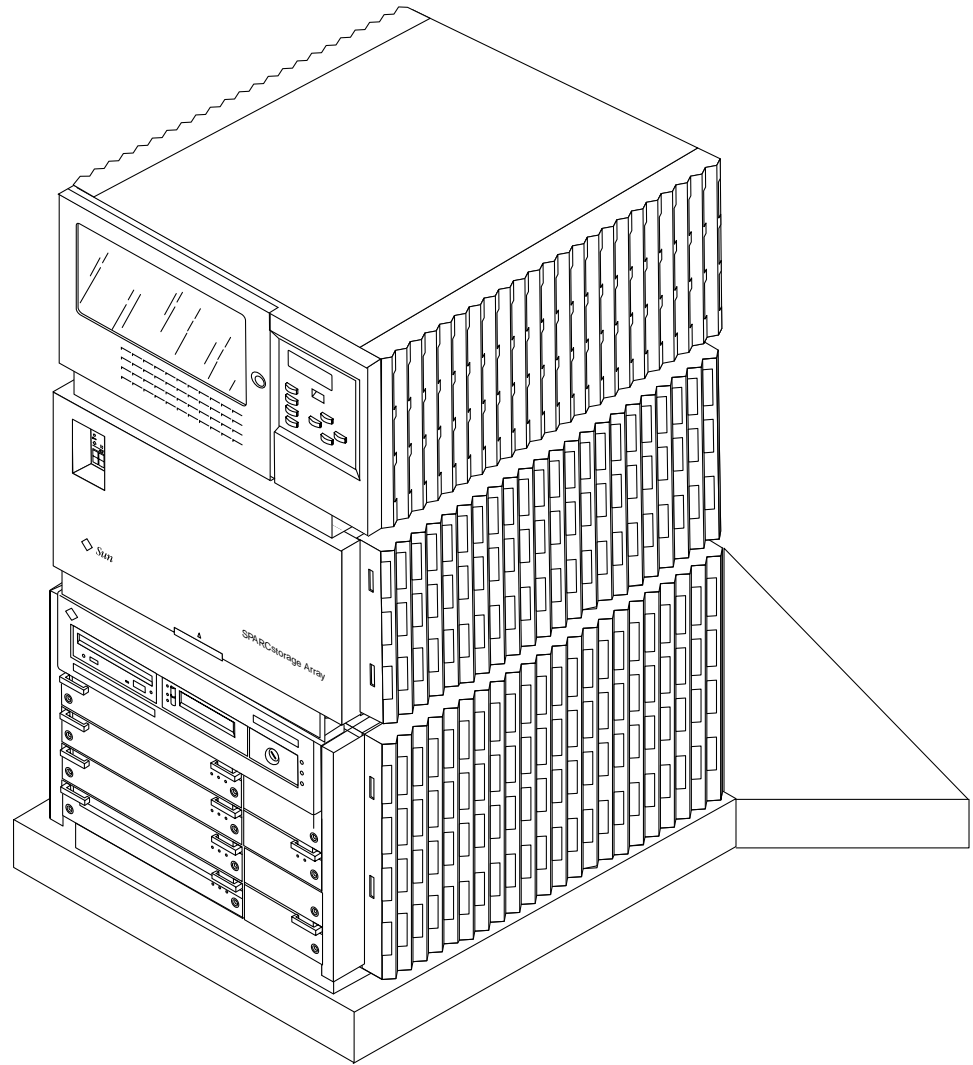


Figure 8 Completed Caster Base (Front View)

Powering On and Off

Refer to the installation manuals shipped with the Enterprise 4000 system and expansion chassis for information on powering on and off.

Revision History

Part Number	Revision	Date	Comments
802-5034-10	A	September 1996	

Reader Comment Card

Your comments and suggestions are important to us. Please let us know what you think about the *Ultra Enterprise Caster Base Installation Guide*, part number 802-5034-10.

1. Were the procedures well documented? Yes No

Please explain: _____

2. Were the tasks easy to follow? Yes No

Please explain: _____

3. Were the illustrations clear? Yes No

Please explain: _____

4. Was the information complete and easy to find? Yes No

Please explain: _____

5. Do you have additional comments about the Ultra Enterprise Caster Base Installation Guide?

You can send detailed comments via email to smcc-docs@sun.com, or send a fax to *SMCC Doc Feedback* at (415) 786-6443.

Your Name: _____

Title: _____

Company Name: _____

Address: _____

City: _____ State/Province: _____

Country: _____ Zip/Postal Code: _____

Email Address: _____

Telephone: _____

Part No.: 802-5034-10

Revision 50, July 1996

Thank you.

**AIR MAIL
PAR AVION**

IBRS/CCRI No. 808



INTERNATIONAL BUSINESS REPLY MAIL/REPOSE PAYEE

PERMIT NO. 808 MOUNTAIN VIEW CA

POSTAGE WILL BE PAID BY ADDRESSEE

INFORMATION PRODUCTS
M/S MPK14-108
SUN MICROSYSTEMS INC
2550 GARCIA AVE
MOUNTAIN VIEW CA 94043-9551
UNITED STATES OF AMERICA

NE PAS AFFRANCHIR

NO POSTAGE
NECESSARY
IF MAILED
TO THE
UNITED STATES

