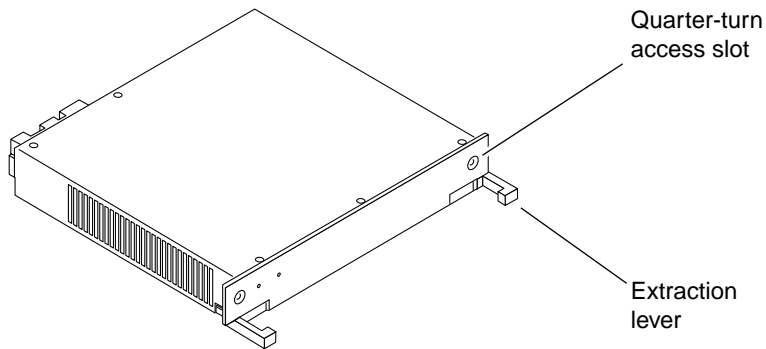

Note – Follow safe ESD practices: use a grounding wrist strap and a padded ESD mat.



Caution – Remove and replace the peripheral power supply in a running system. *Do not* replace the PPS while the system is in low-power mode. Doing so will cause the system to power-on immediately.

Installing the Peripheral Power Supply (PPS)

1. **Verify that the system is running and is not in the low-power mode.**
When the system is in low-power mode, the front panel and board LEDs are all off, and the yellow power supply LEDs are on.
2. **With a Phillips #1 screwdriver, turn the arrows to the unlocked position (🔓) in the two quarter-turn access slots on the filler panel.**



3. **Pull out and remove the peripheral power supply filler panel from the centerplane.**
4. **Carefully insert the PPS (PPS 1) in the vacated slot.**
Ensure that the extraction levers are in the outward position.
5. **Slide the power supply toward the centerplane.**
Ensure that the arrows in the quarter-turn access slots point to the unlocked position.



Caution – *Do not* force the power supply into a slot. This can damage the power supply and system.

The power supply should insert and seat smoothly. If it binds, remove it, and inspect the slot for any obvious obstructions. Do not damage the springfingers at the bottom of the power supply.

6. **Use the extraction levers to seat the power supply.**
Simultaneously swing the levers inward to the locked position. Do not press on the front panel of the power supply to seat it—doing so will damage the connector pins.
7. **With a Phillips #1 screwdriver, turn the two arrows in the quarter-turn access slots to the locked position (🔒).**
8. **Check that the green LED is lit.**
If the green LED is not lit, the power supply is not seated properly. Repeat Step 2 to Step 7. If the green LED is still not lit, refer to the troubleshooting section in the system reference manual that came with your system.

Sun Documentation on the Web

The docs.sun.com web site enables you to access Sun technical documentation on the Web. You can browse the docs.sun.com archive or search for a specific book title or subject at:

<http://docs.sun.com>

Sun Welcomes Your Comments

We are interested in improving our documentation and welcome your comments and suggestions. You can email your comments to us at:

smcc-docs@sun.com

Please include the part number of your document in the subject line of your email.

Copyright 1998 Sun Microsystems, Inc. All rights reserved. Use is subject to license terms. Third-party software, including font technology, is copyrighted and licensed from Sun suppliers. Sun, Sun Microsystems, the Sun Logo, SunDocs, and Solaris are trademarks or registered trademarks of Sun Microsystems, Inc. in the U.S. and other countries. **RESTRICTED RIGHTS:** Use, duplication, or disclosure by the U.S. Government is subject to restrictions of FAR 52.227-14(g)(2)(6/87) and FAR 52.227-19(6/87), or DFAR 252.227-7015(b)(6/95) and DFAR 227.7202-3(a).

Copyright 1998 Sun Microsystems, Inc. Tous droits réservés. Distribué par des licences qui en restreignent l'utilisation. Le logiciel détenu par des tiers, et qui comprend la technologie relative aux polices de caractères, est protégé par un copyright et licencié par des fournisseurs de Sun. Sun, Sun Microsystems, le logo Sun, SunDocs, et Solaris sont des marques de fabrique ou des marques déposées de Sun Microsystems, Inc. aux Etats-Unit et dans d'autres pays.



Sun™ Enterprise™ 6x00/5x00/4x00 Systems Peripheral Power Supply Installation Guide